



US00D353676S

# United States Patent [19]

[11] Patent Number: **Des. 353,676**

**Kelln et al.**

[45] Date of Patent: **\*\* Dec. 20, 1994**

[54] **CUVETTE FOR A CHEMICAL ANALYZER**

[75] Inventors: **Norman Kelln; Thomas Tiffany**, both of Spokane; **Robin Olson**, Veradale; **Bruce Weyrauch**, Newman Lake, all of Wash.

[73] Assignees: **Spectrum Systems, Inc.**, Spokane, Wash.; **Schiaparelli Biosystems, Inc.**, Fairfield, N.J.

[\*\*] Term: **14 Years**

[21] Appl. No.: **916,224**

[22] Filed: **Jul. 16, 1992**

[52] U.S. Cl. .... **D24/224**

[58] Field of Search ..... 606/160; 220/500, 23.2, 220/23.8; 356/246; 435/296; 422/61, 91, 99, 100, 102; D24/224, 225

[56] **References Cited**

**U.S. PATENT DOCUMENTS**

- D. 269,548 6/1983 Sarrine et al. .... D24/232
- D. 283,728 5/1986 Aihara ..... D24/224

- D. 337,388 7/1993 Nilsson et al. .... D24/224
- 3,481,712 12/1969 Bernstein et al. .... D24/224 X
- 3,627,432 12/1971 Bergmann ..... D24/224 X
- 4,119,407 10/1978 Goldsteine ..... 422/58
- 4,227,810 10/1980 Sandrock et al. .... 356/246

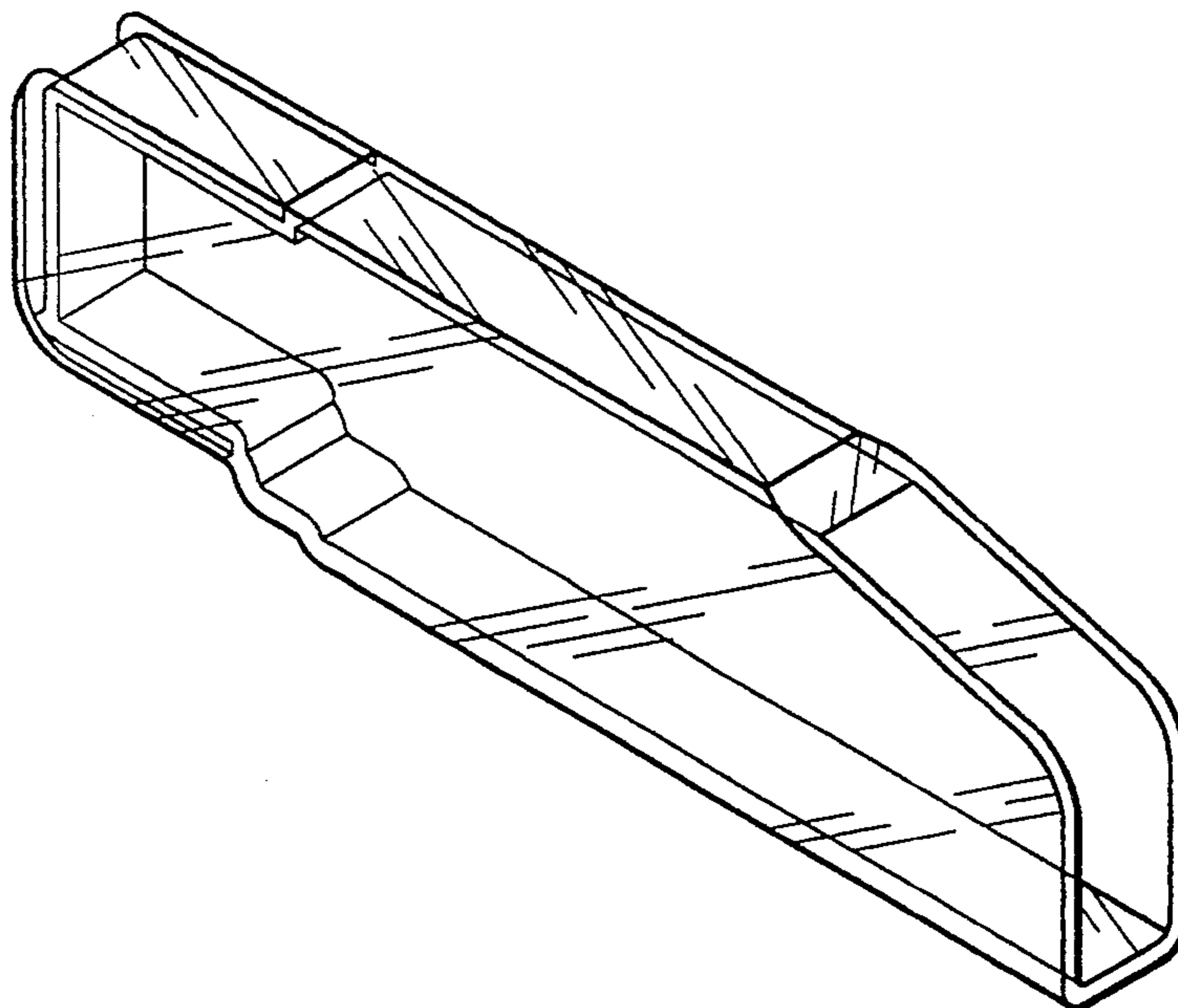
*Primary Examiner*—A. Hugo Word  
*Assistant Examiner*—Ian Simmons  
*Attorney, Agent, or Firm*—Wells, St. John, Roberts, Gregory & Matkin

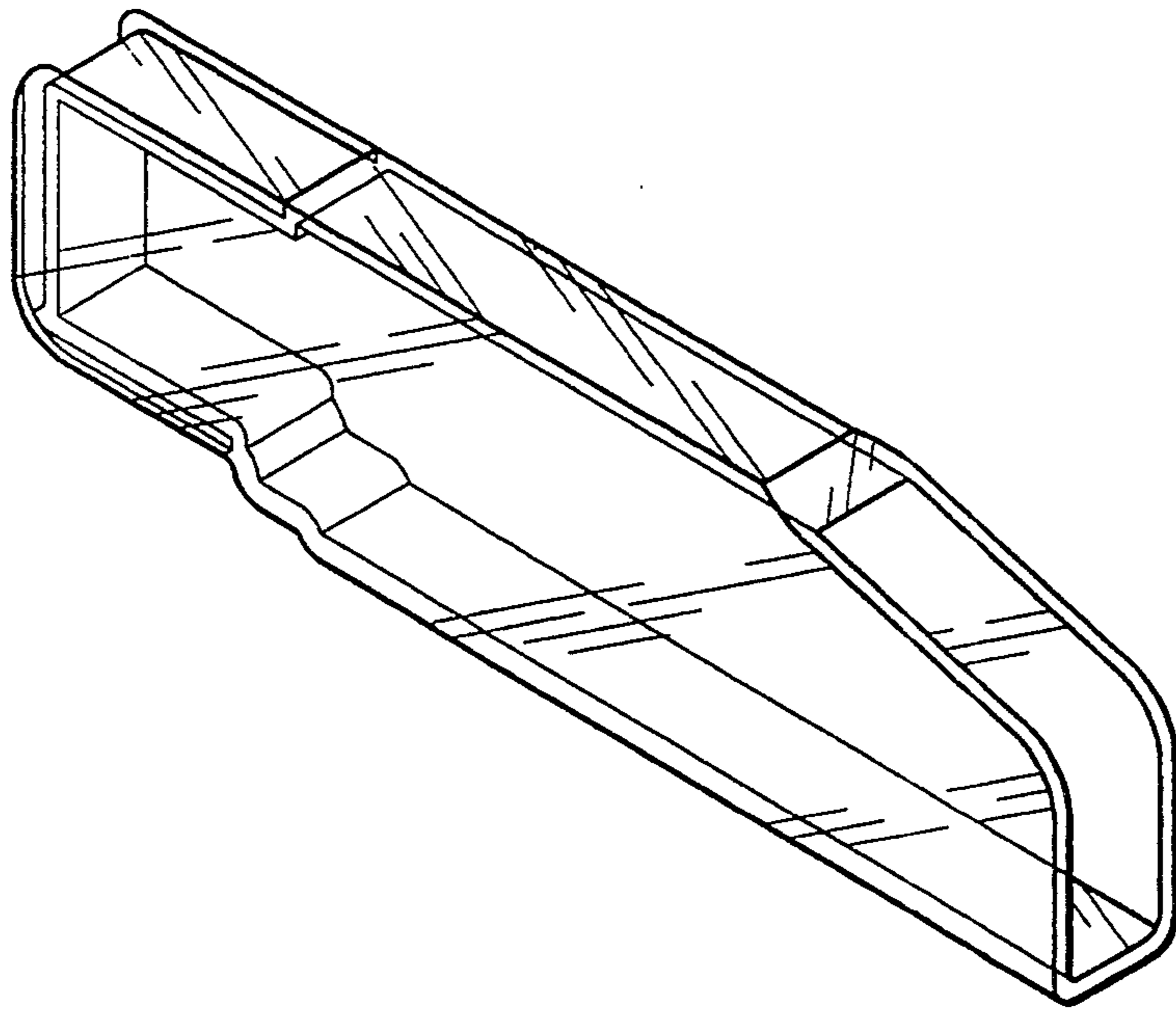
[57] **CLAIM**

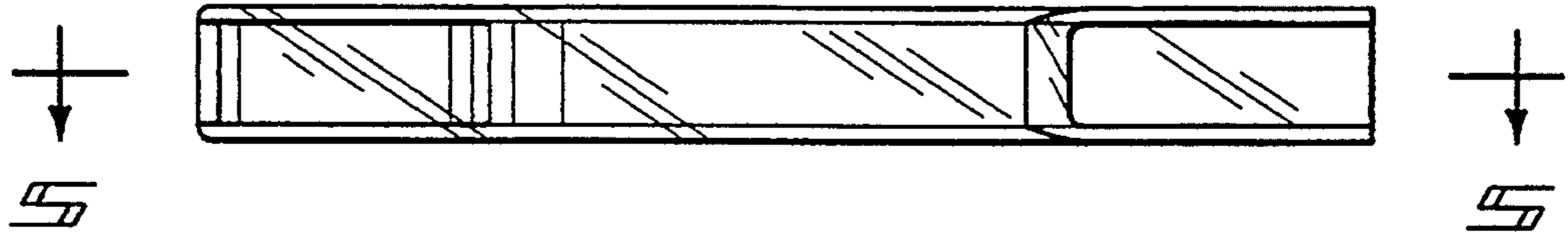
The ornamental design for a cuvette for a chemical analyzer, as shown and described.

**DESCRIPTION**

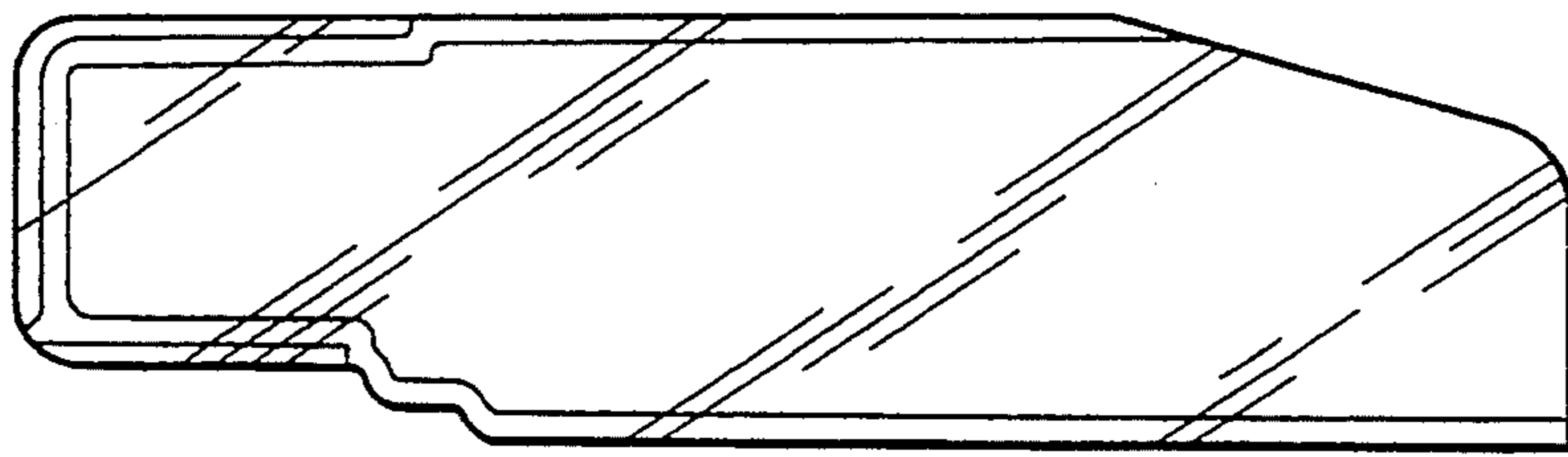
FIG. 1 is a perspective view of a cuvette;  
FIG. 2 is a top view;  
FIG. 3 is a side elevational view thereof, the opposite side elevational view being identical thereto;  
FIG. 4 is a bottom view;  
FIG. 5 is a cross-sectional view thereof, taken along the line 5—5 of FIG. 2;  
FIG. 6 is a right hand end view; and,  
FIG. 7 is a left hand end view.



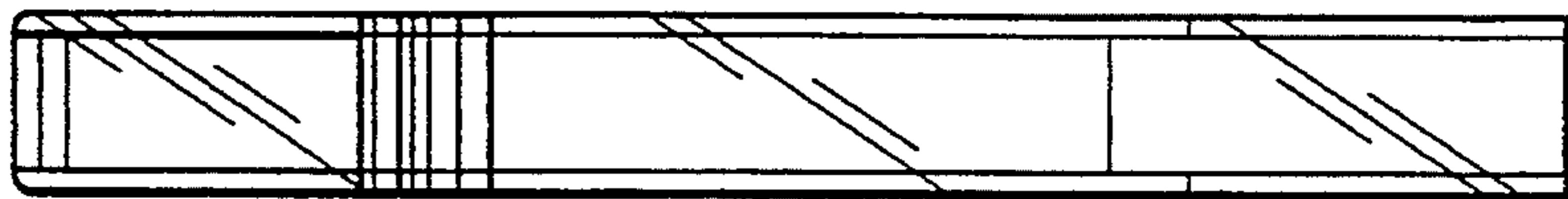




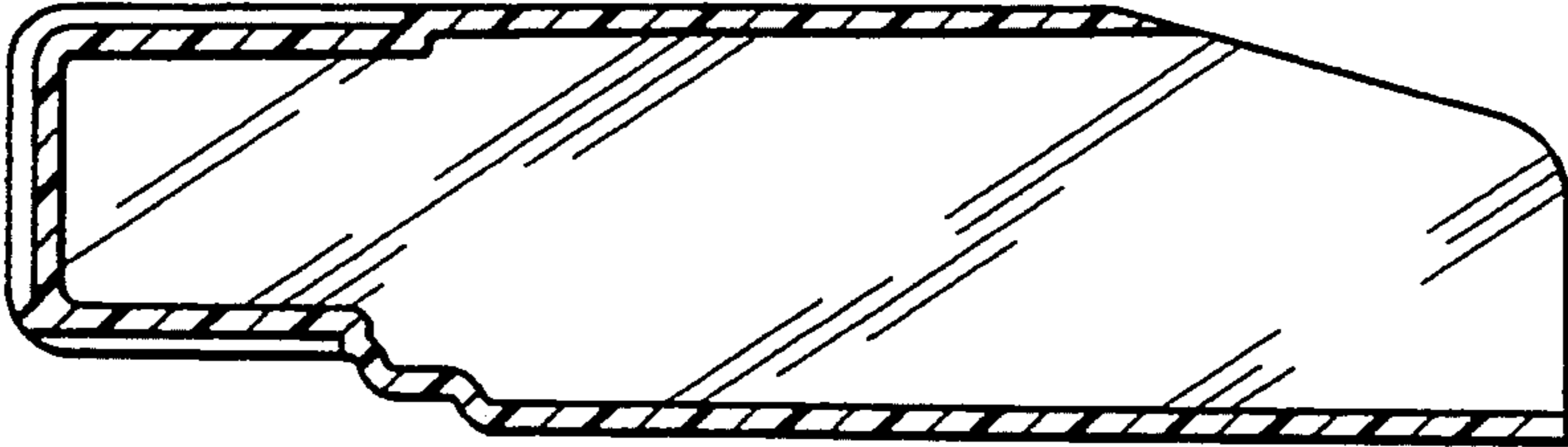
*Fig. 2*



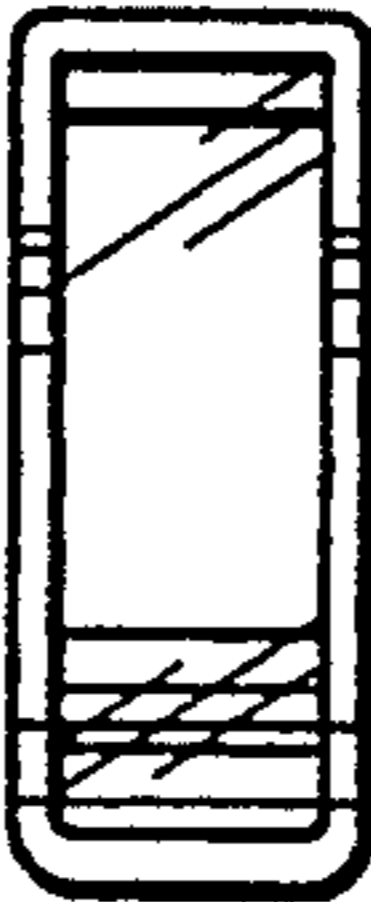
*Fig. 3*



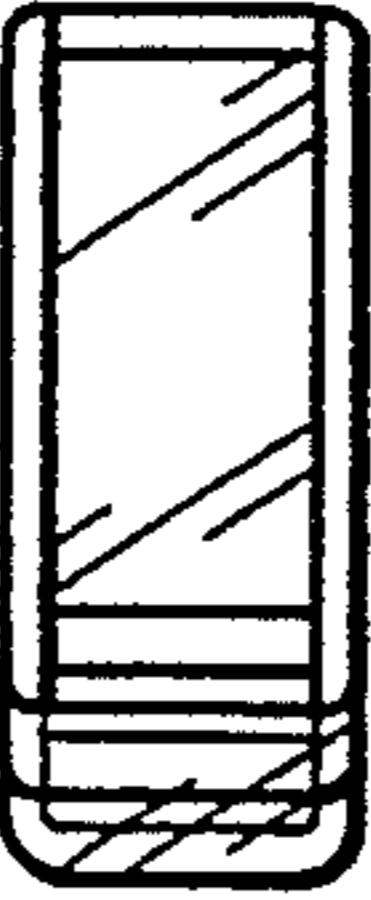
*Fig. 4*



*Fig. 5*



*Fig. 6*



*Fig. 7*