



US00D353674S

United States Patent [19]

[11] Patent Number: **Des. 353,674**

Jörn us

[45] Date of Patent: **** Dec. 20, 1994**

[54] CONNECTION SLEEVE FOR A DENTAL IMPLANT

[56] References Cited

[75] Inventor: **Lars J rn us, Gothenburg, Sweden**

U.S. PATENT DOCUMENTS

[73] Assignee: **Nobelpharma AB, Gothenburg, Sweden**

D. 296,362	6/1988	Branemark	D24/156
D. 317,200	5/1991	Jorneus	D24/156
D. 379,500	8/1991	S�derberg	D24/156
4,016,651	4/1977	Kawahara et al.	433/174
4,531,915	7/1985	Tatum, Jr.	433/173
4,547,156	10/1985	Hader	433/172
4,850,870	7/1989	Lazzara et al.	433/174
4,854,872	8/1989	Detsch	433/174 X
5,030,096	7/1991	Hurson et al.	433/141 X

[*] Notice: The portion of the term of this patent subsequent to May 28, 2005 has been disclaimed.

[**] Term: **14 Years**

Primary Examiner—Wallace R. Burke
Assistant Examiner—M. H. Tung
Attorney, Agent, or Firm—Pollock, Vande Sande & Priddy

[21] Appl. No.: **18,691**

[22] Filed: **Dec. 28, 1993**

[57] CLAIM

Related U.S. Application Data

[63] Continuation of Ser. No. 673,836, Mar. 22, 1991, abandoned, which is a continuation-in-part of Ser. No. 344,843, Apr. 28, 1989, Pat. No. D. 317,200.

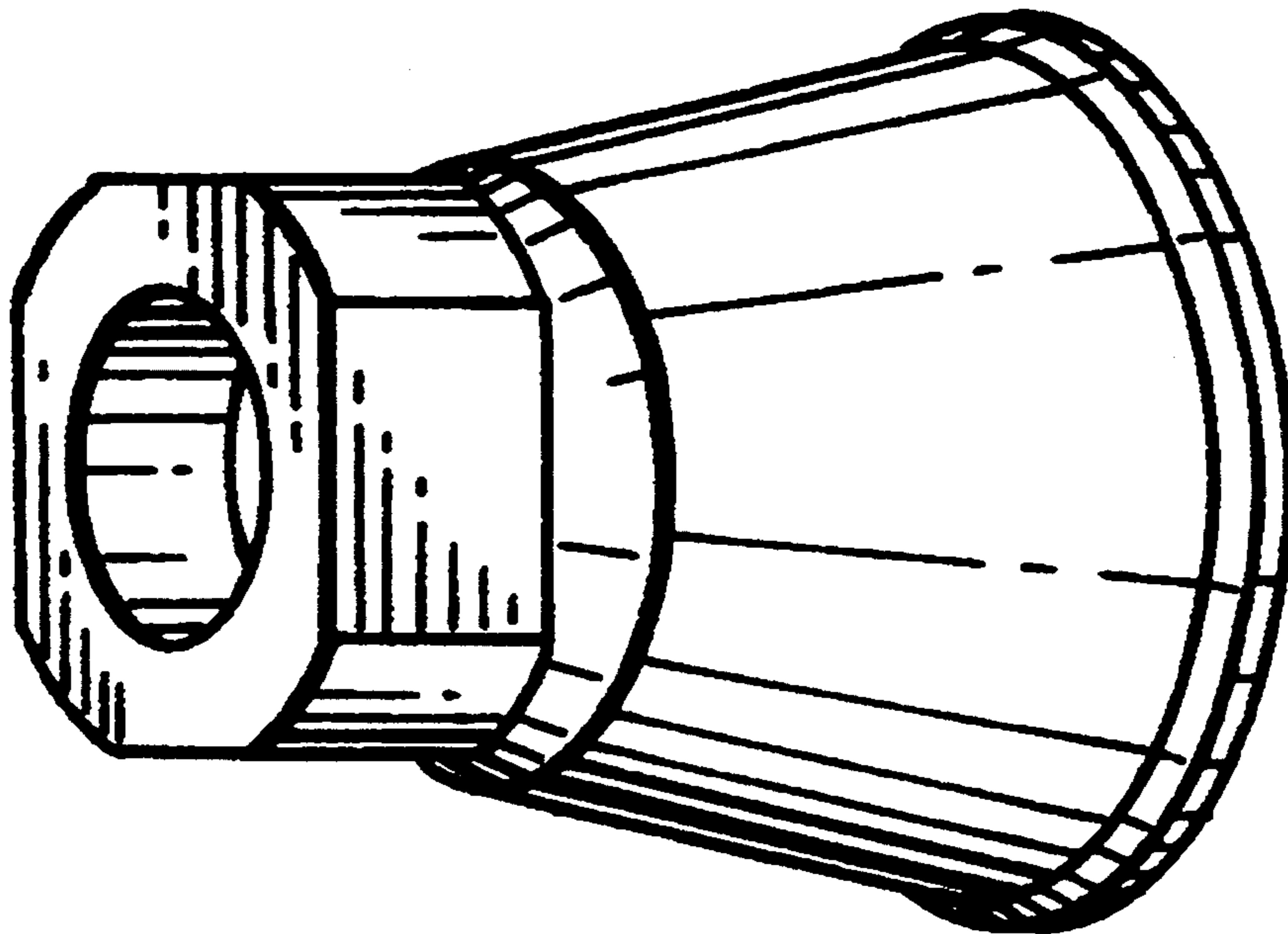
The ornamental design for a connection sleeve for a dental implant, as shown and described.

Foreign Application Priority Data

[30] Sep. 26, 1990 [SE] Sweden 902039
[52] U.S. Cl. **D24/156**
[58] Field of Search 433/191-195, 433/168.1, 169, 172-176; D24/155-156, 176

DESCRIPTION

FIG. 1 is a right end, side perspective view of a connection sleeve for a dental implant showing my new design; FIG. 2 is a left end, side perspective view thereof; FIG. 3 is a side elevational view; FIG. 4 is a left end view; and, FIG. 5 is a right end view.



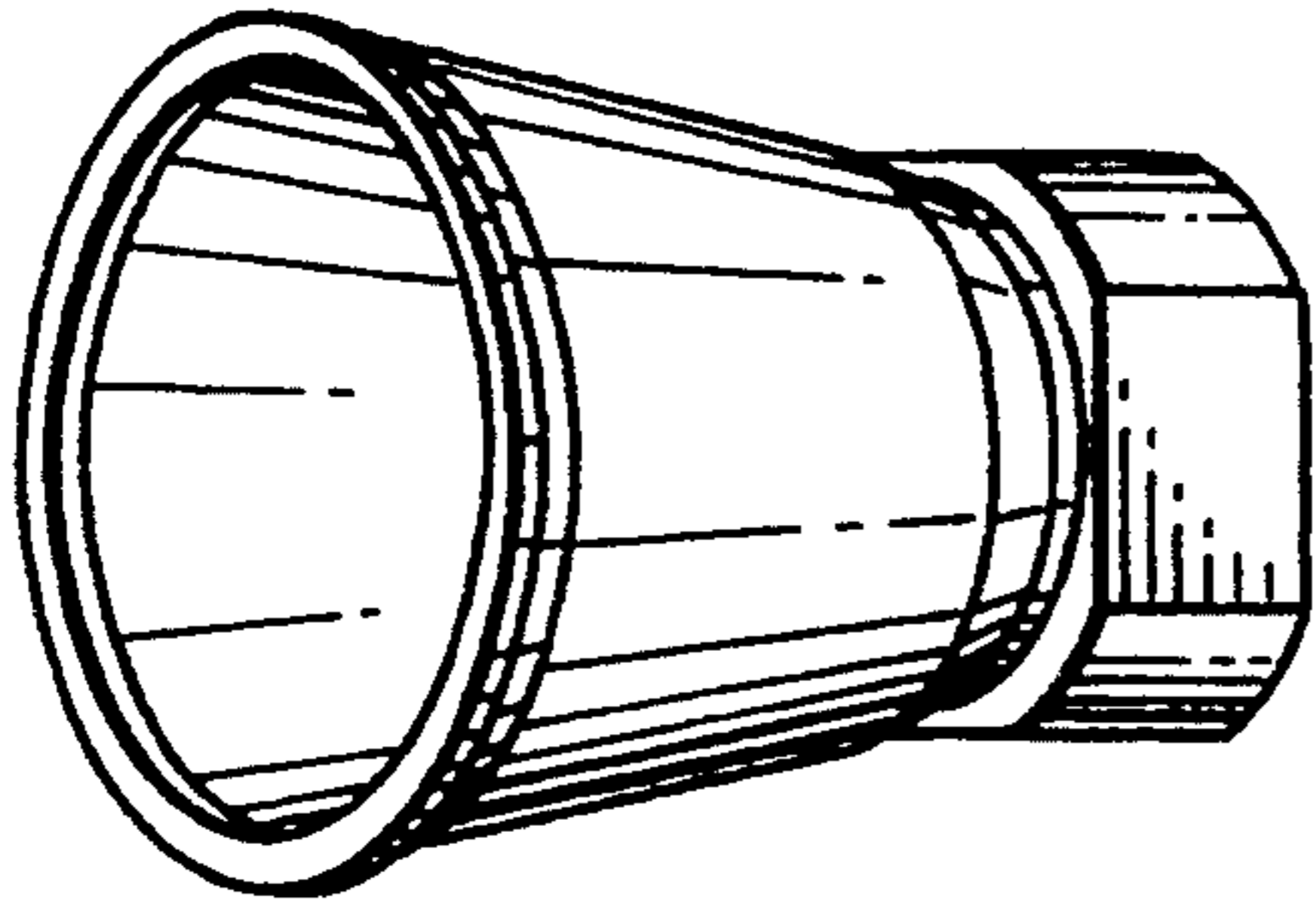


FIG. 1

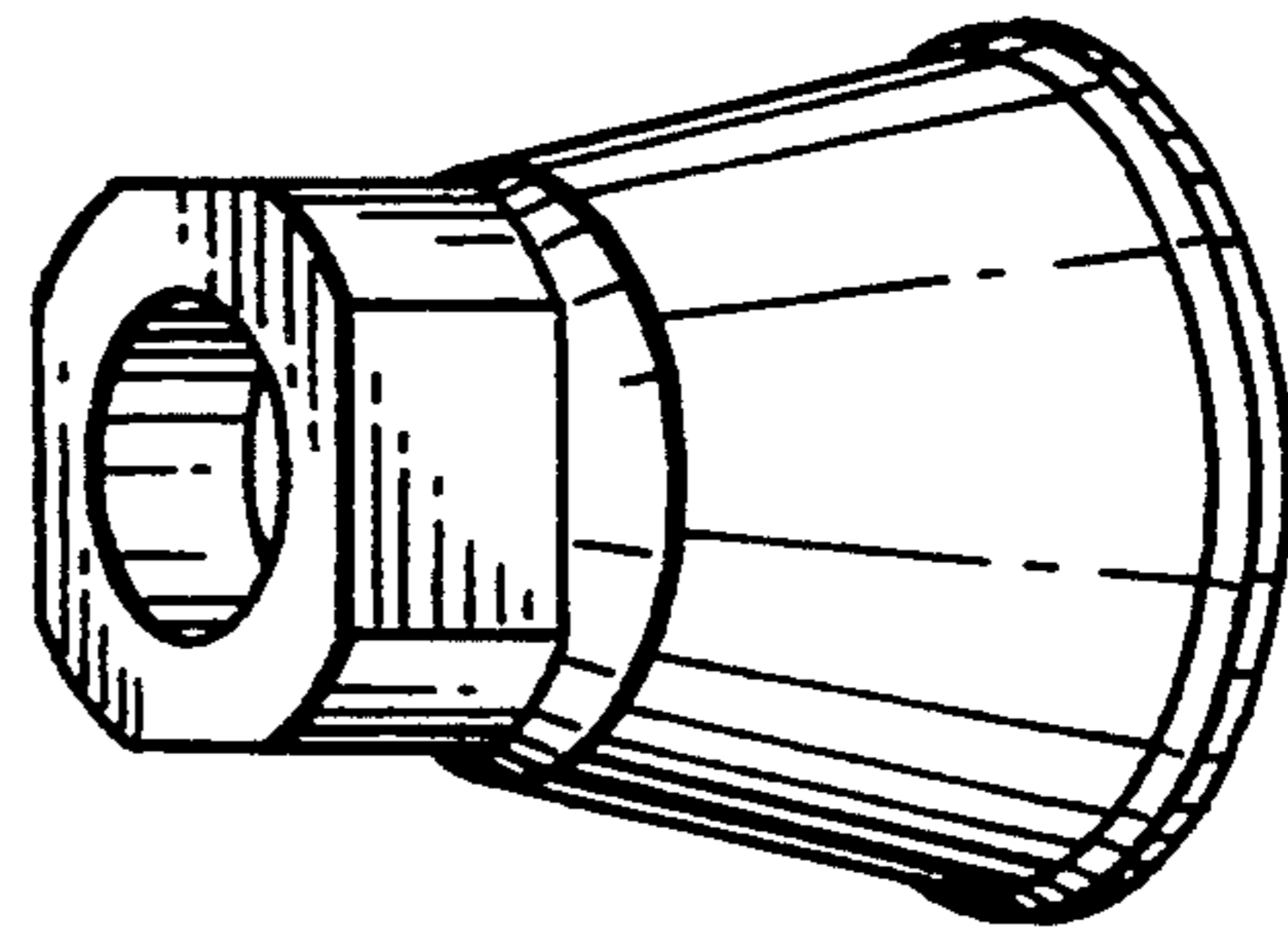


FIG. 2

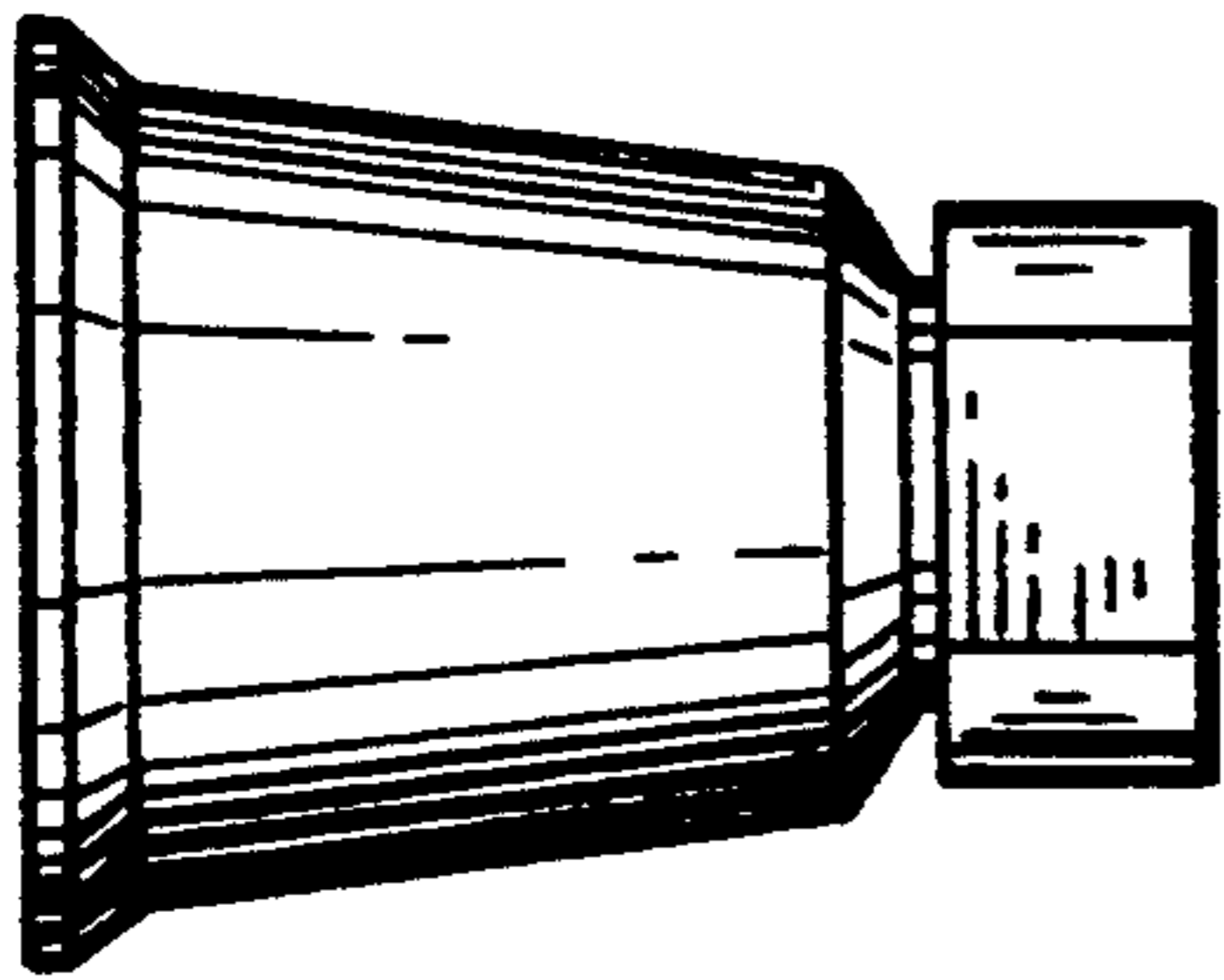


FIG. 3

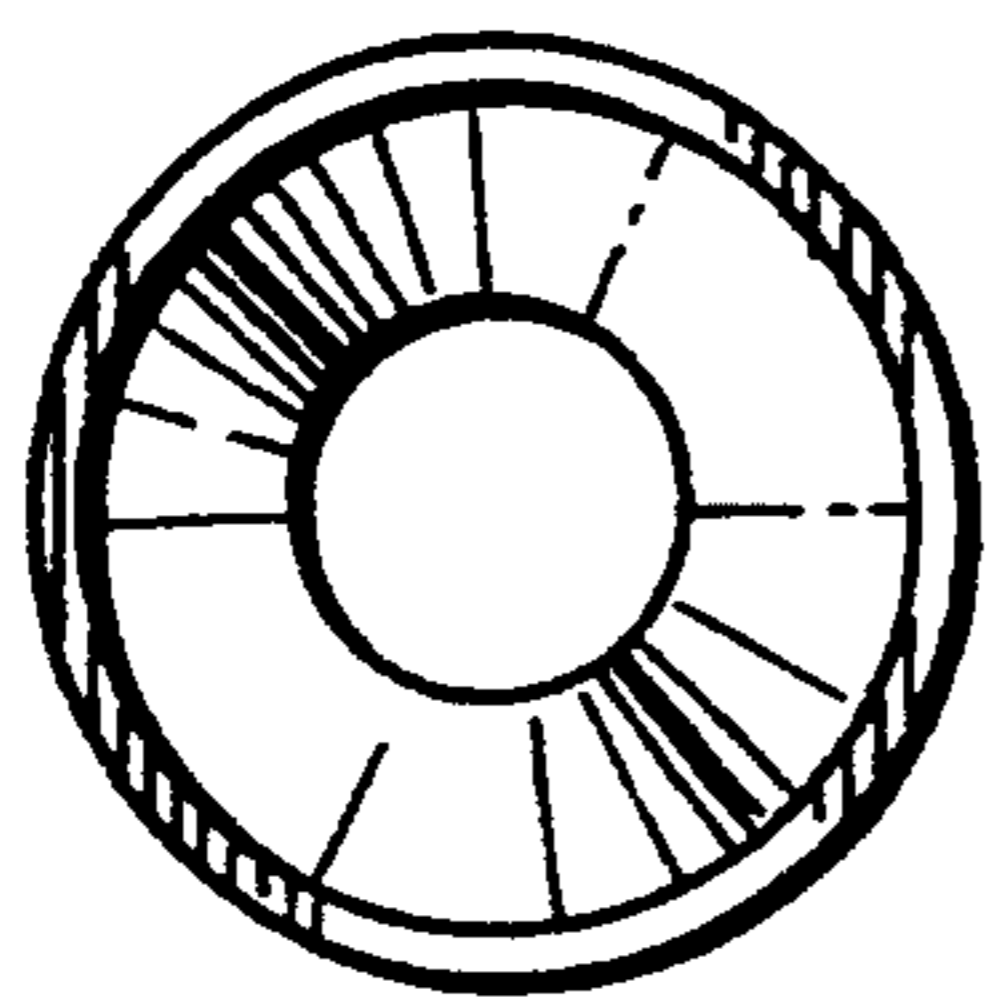


FIG. 4

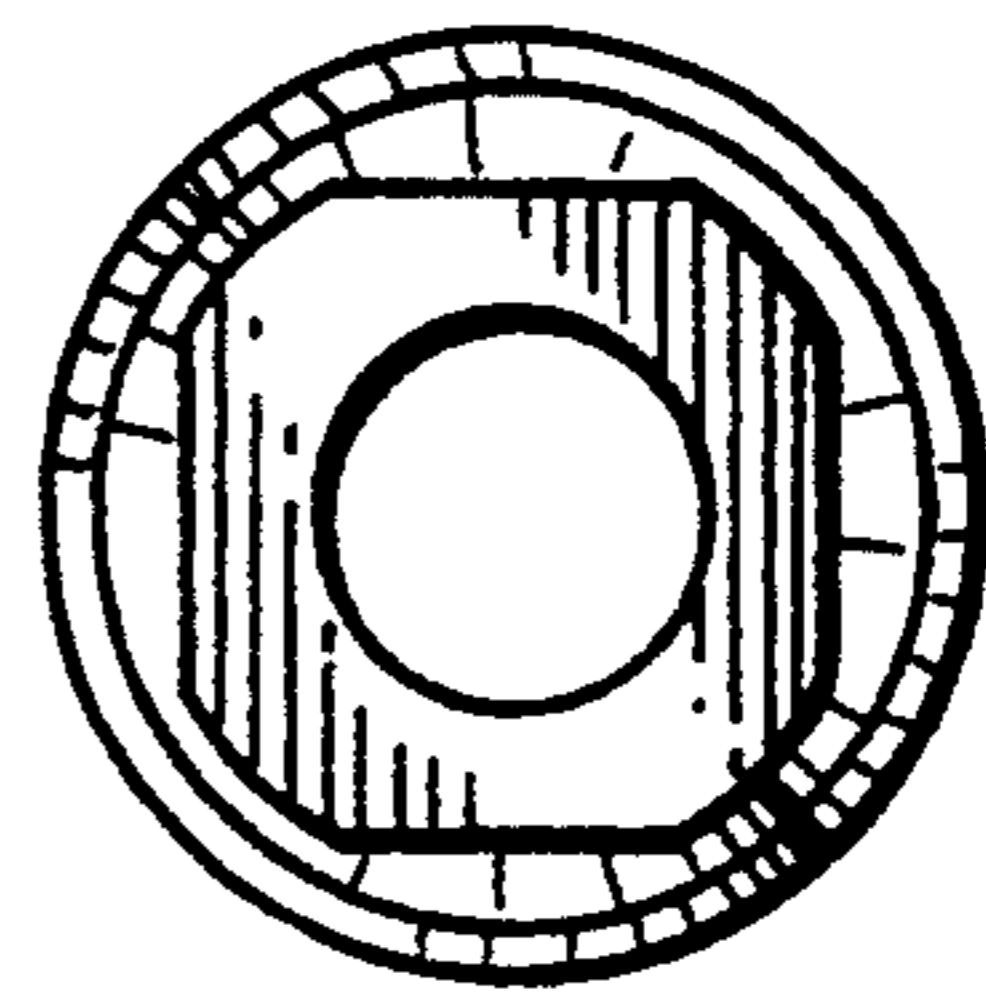


FIG. 5