



US00D353673S

United States Patent [19]

[11] Patent Number: **Des. 353,673**

Discko, Jr. et al.

[45] Date of Patent: **** Dec. 20, 1994**

[54] **COMBINED DENTAL SYRINGE TIP AND A SEALING CAP**

[75] Inventors: **John J. Discko, Jr., Hamden;**
William B. Dragan, Easton, both of Conn.

[73] Assignee: **Centrix, Inc., Shelton, Conn.**

[**] Term: **14 Years**

[21] Appl. No.: **842,564**

[22] Filed: **Feb. 27, 1992**

[52] U.S. Cl. **D24/152**

[58] Field of Search 433/90, 89; **D24/152**

[56] **References Cited**

U.S. PATENT DOCUMENTS

D. 276,936	12/1984	Fattaleh	D24/152 X
D. 315,956	4/1991	Dragan	D24/152
3,990,152	11/1976	Hirdes	433/89
4,963,093	10/1990	Dragan	433/90
5,083,921	1/1992	Dragan	433/90
5,100,320	3/1992	Martin et al.	433/90
5,125,836	6/1992	Dragan et al.	433/90
5,129,825	7/1992	Discko, Jr.	433/90
5,165,890	11/1992	Discko, Jr.	433/89 X

Primary Examiner—Stella Reid
Attorney, Agent, or Firm—Paul A. Fattibene; Arthur T. Fattibene

[57] **CLAIM**

The ornamental design for a combined dental syringe tip and a sealing cap, as shown and described.

DESCRIPTION

FIG. 1 is a right, front perspective view of a combined dental syringe tip and a sealing cap showing our new design;

FIG. 2 is a right side elevational view thereof, the other side being a mirror image;

FIG. 3 is a top plan view thereof;

FIG. 4 is a bottom plan view thereof;

FIG. 5 is a front elevational view thereof;

FIG. 6 is a rear elevational view thereof;

FIG. 7 is a right, front perspective view of a second embodiment thereof;

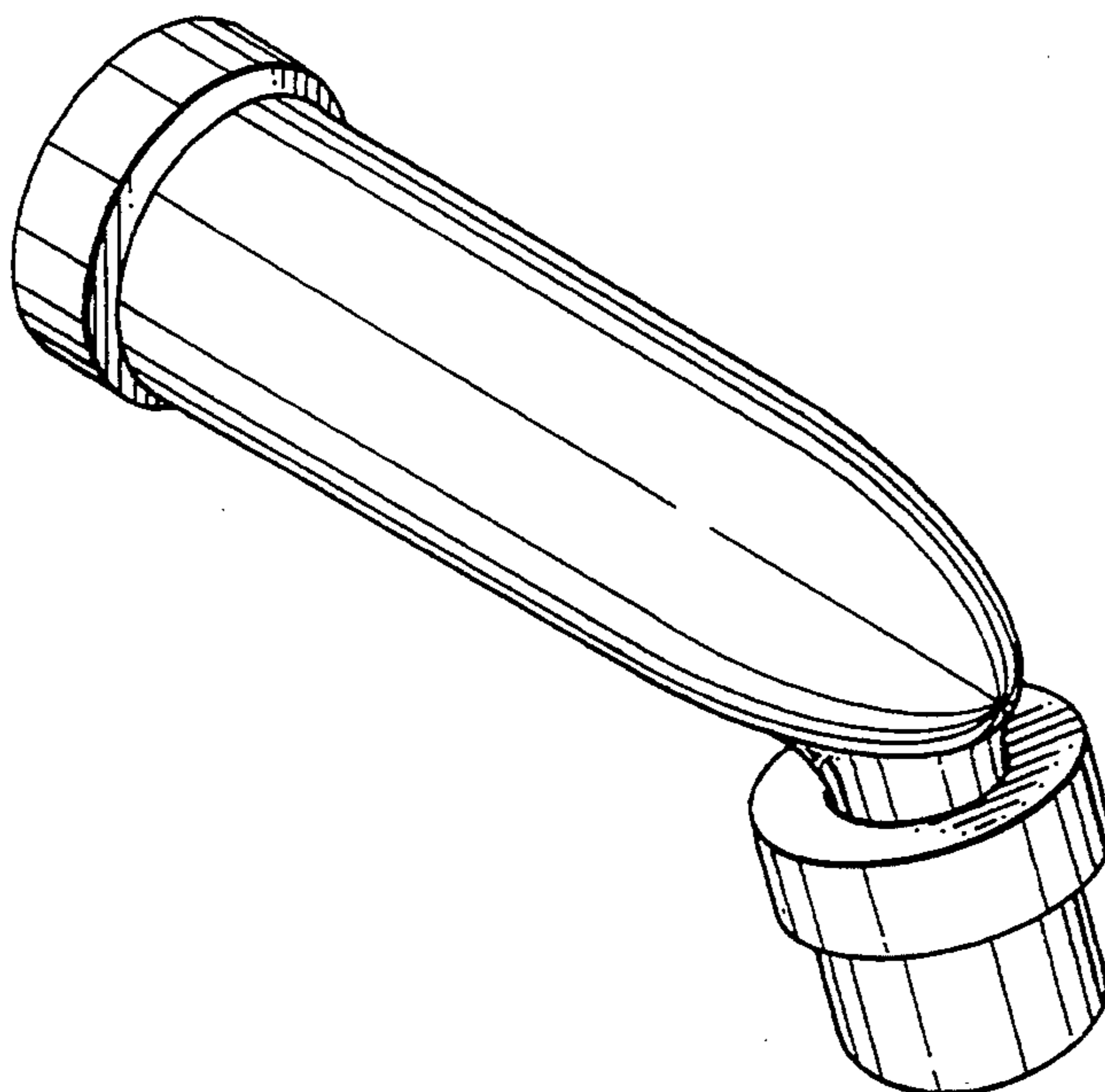
FIG. 8 is a right side elevational view thereof, the other side being a mirror image;

FIG. 9 is a top plan view thereof;

FIG. 10 is a bottom plan view thereof;

FIG. 11 is a front elevational view thereof; and,

FIG. 12 is a rear elevational view thereof.



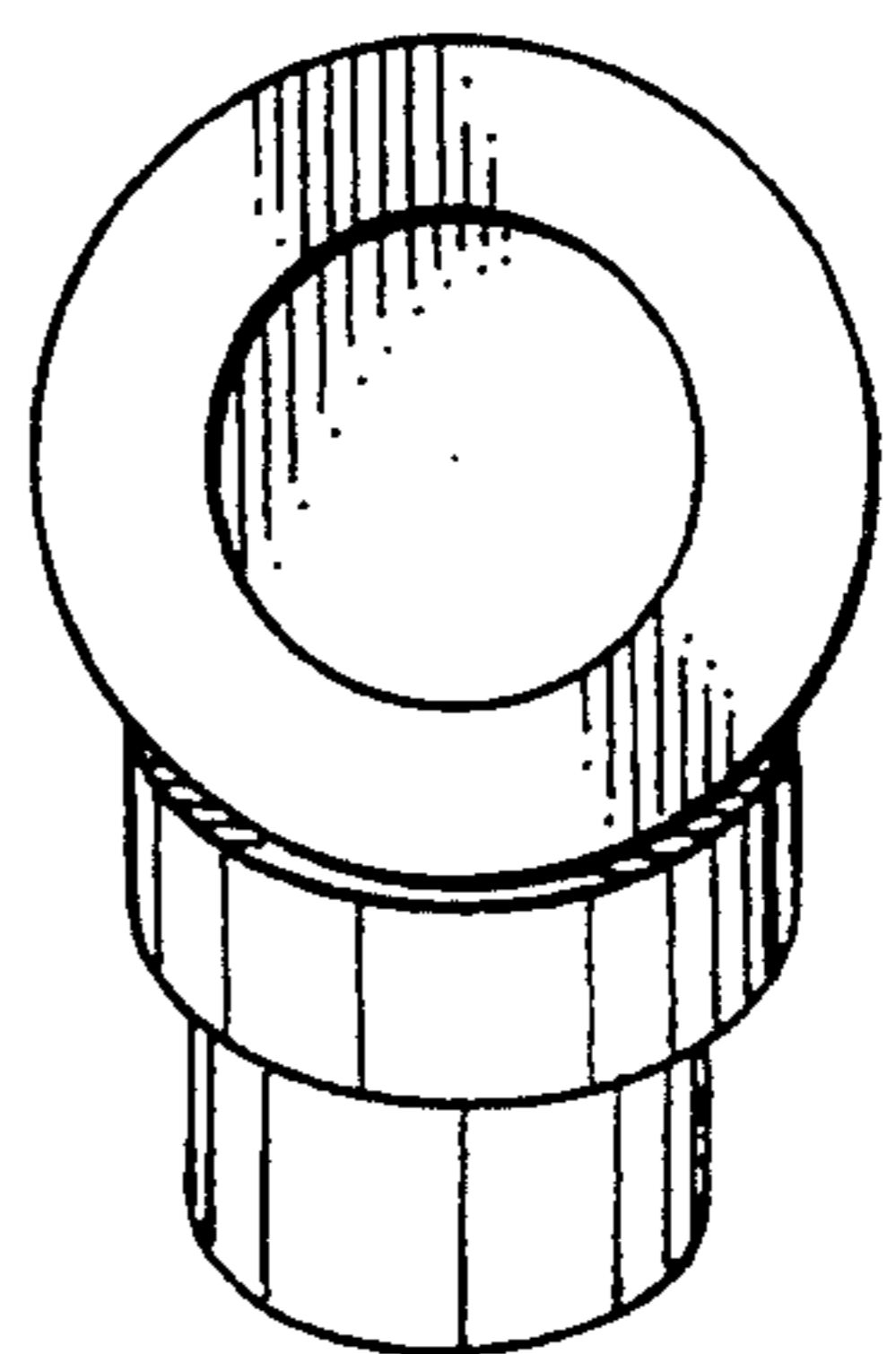
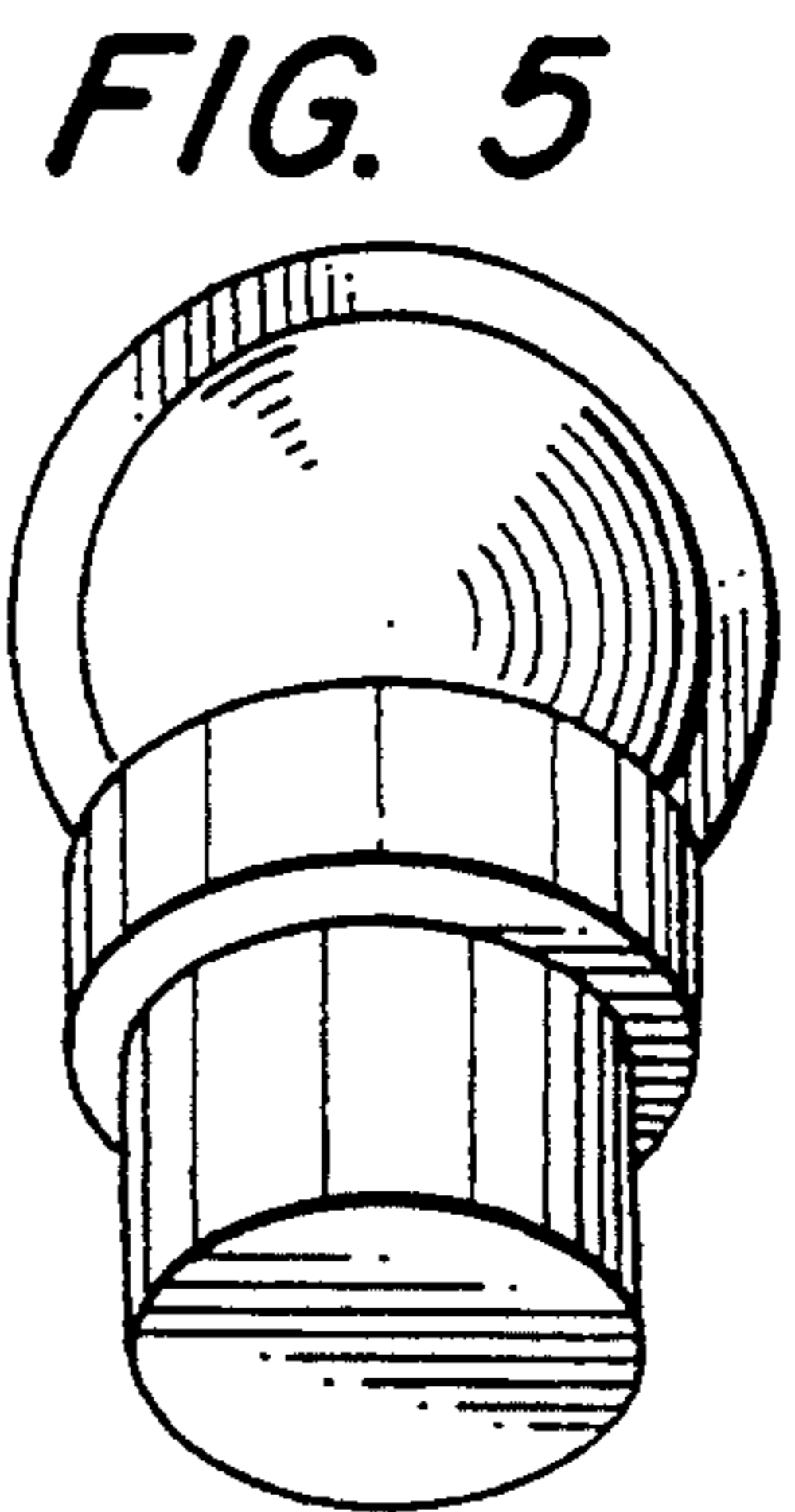
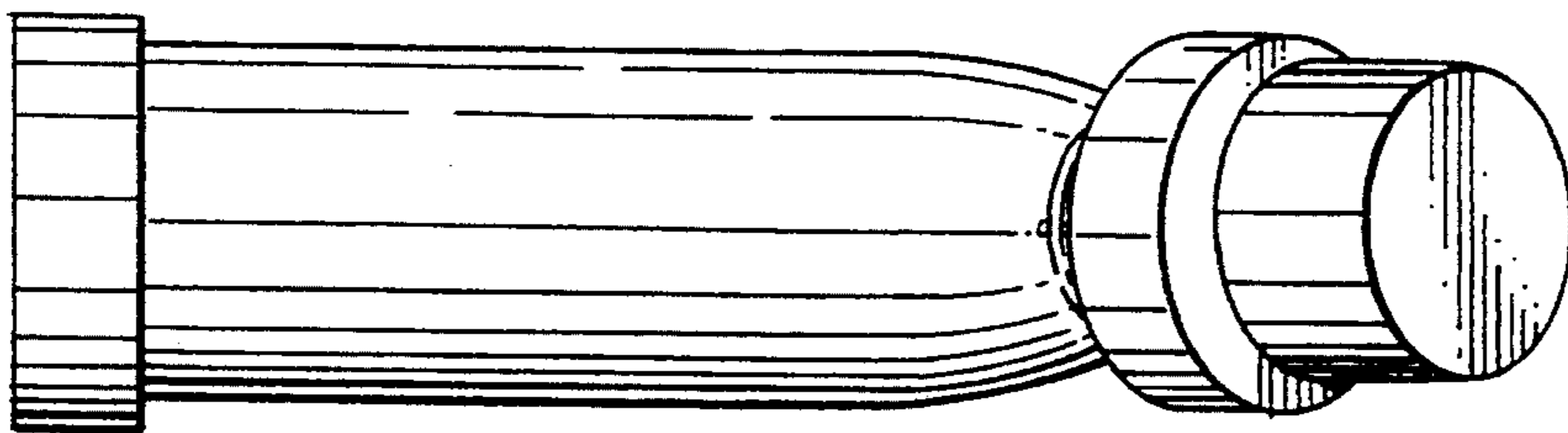
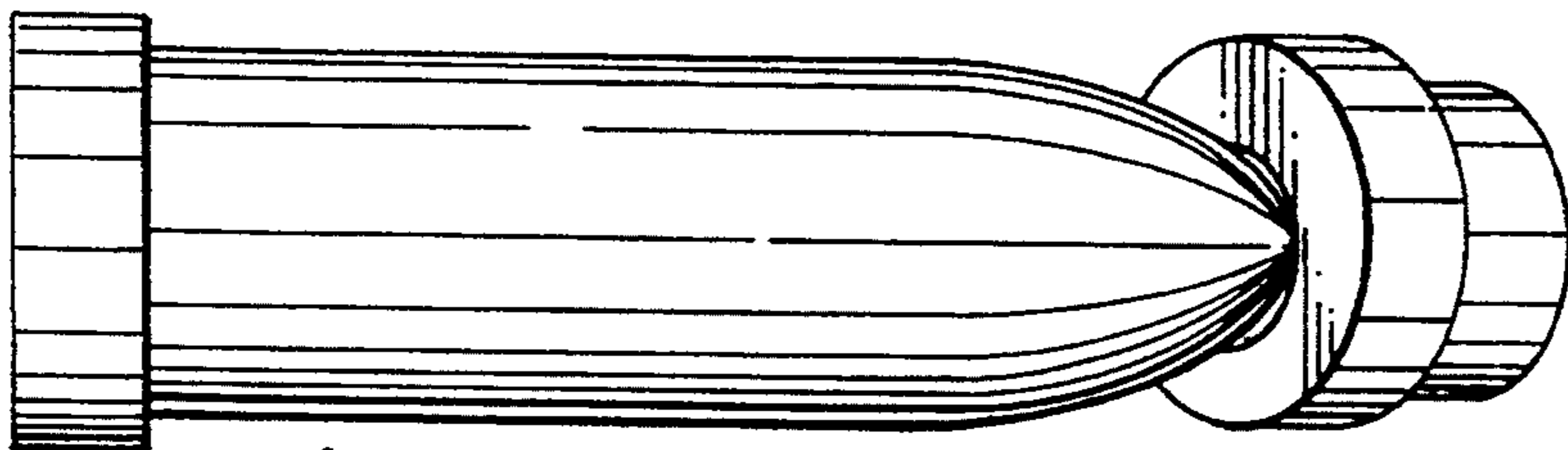
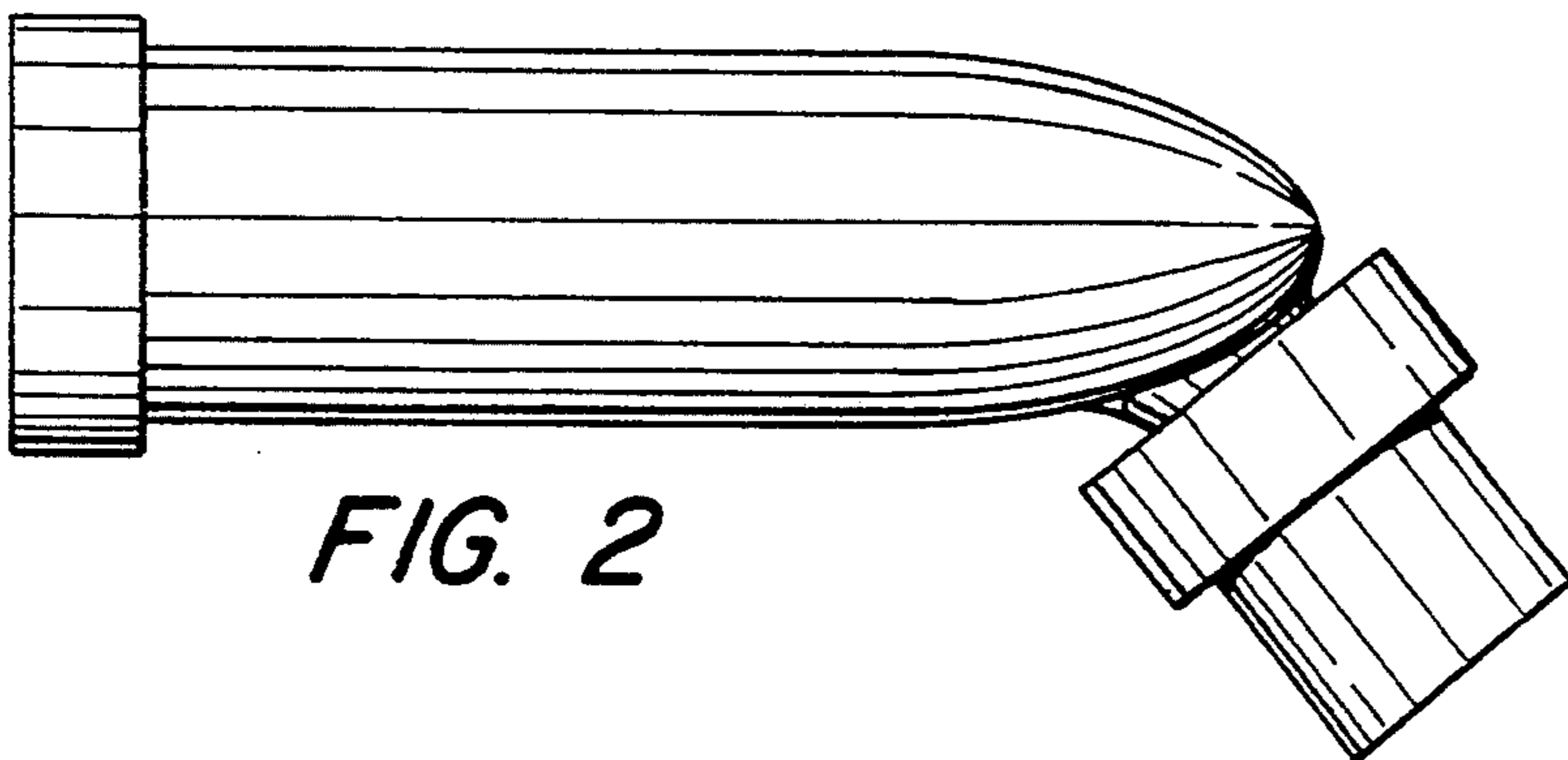
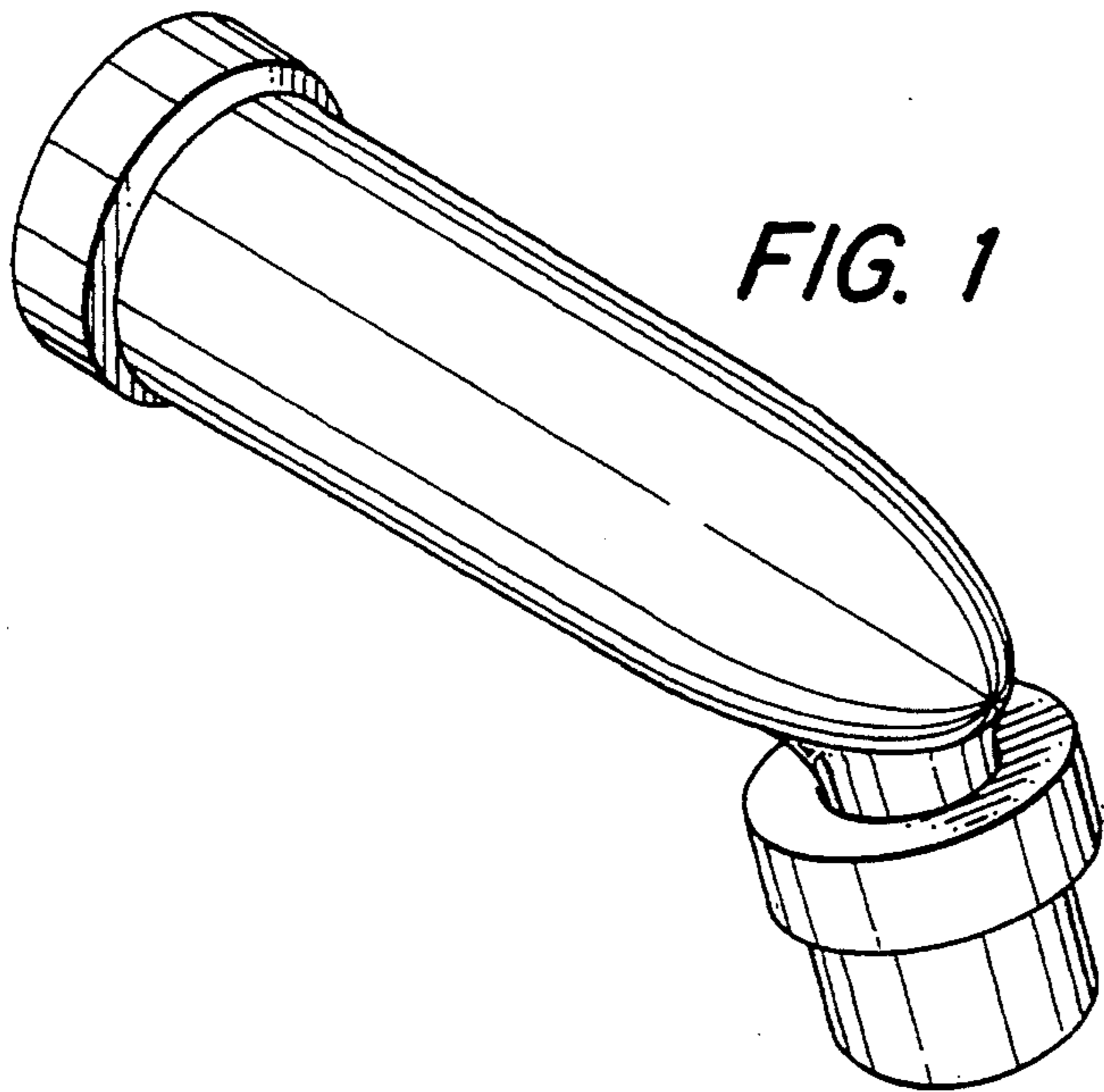


FIG. 4

