



US00D353669S

# United States Patent [19]

[11] Patent Number: **Des. 353,669**

Jones et al.

[45] Date of Patent: **\*\* Dec. 20, 1994**

[54] **COMBINED SPECIMEN CUP AND DETACHABLE HANDLE**

[76] Inventors: **Timothy B. Jones**, 2517 E. Sweetbriar, Edmond, Okla. 73034; **Robert D. Jones; Lori D. Jones**, both of 1452 N. Washington, Ardmore, Okla. 73401

[\*\*] Term: **14 Years**

[21] Appl. No.: **948,841**

[22] Filed: **Sep. 16, 1992**

[52] U.S. Cl. .... **D24/122; D24/128**

[58] Field of Search ..... 229/1.5 B, 1.5 H; 220/737, 740, 738, 318, 319, 94 A; 215/100 A; 128/700, 701; 604/356, 317, 318; D24/121, 122, 123, 128, 227, 224

[56] **References Cited**

**U.S. PATENT DOCUMENTS**

- D. 335,176 4/1993 Jones et al. .... D24/128
- D. 335,179 4/1993 Jones et al. .... D24/128

- 3,881,465 5/1975 Raitto ..... 128/700
- 4,064,760 12/1977 Benjamin ..... 128/760 X
- 4,428,384 1/1984 Raitto ..... D24/122 X
- 4,934,547 6/1990 Mayes et al. .... 128/700 X
- 5,058,787 10/1991 Chou ..... 224/42.46
- 5,119,830 6/1992 Davis ..... D24/122 X
- 5,147,342 9/1992 Kane et al. .... D24/128 X

*Primary Examiner*—A. Hugo Word

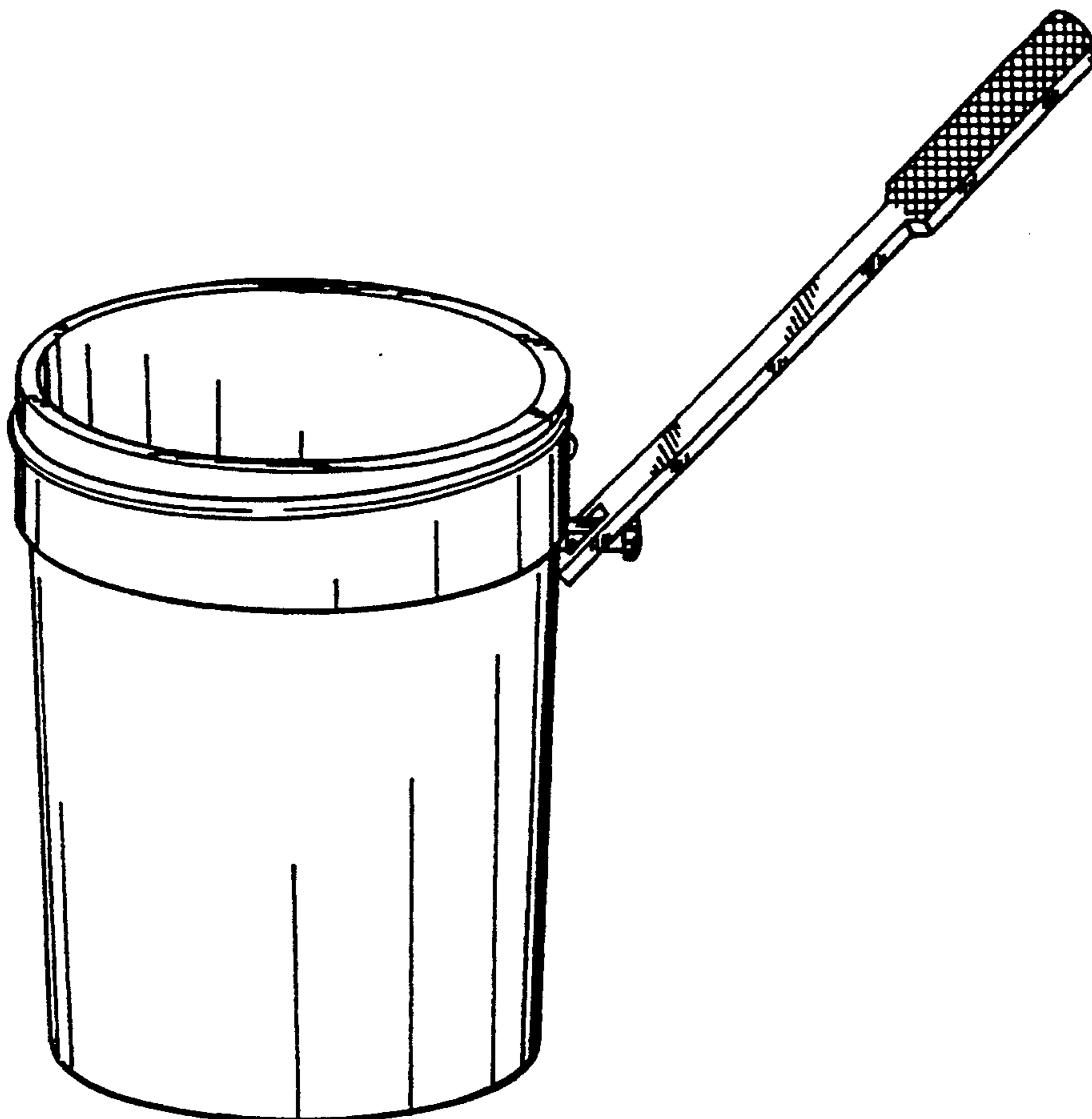
*Assistant Examiner*—Ian Simmons

[57] **CLAIM**

The ornamental design for a combined specimen cup and detachable handle, as shown and described.

**DESCRIPTION**

FIG. 1 is a perspective view of a combined specimen cup and detachable handle showing our new design; FIG. 2 is a rear elevational view thereof; FIG. 3 is a front elevational view thereof; FIG. 4 is a side elevational view thereof; FIG. 5 is a side elevational view thereof, opposite that shown in FIG. 4; FIG. 6 is a top plan view thereof; and, FIG. 7 is a bottom plan view thereof.



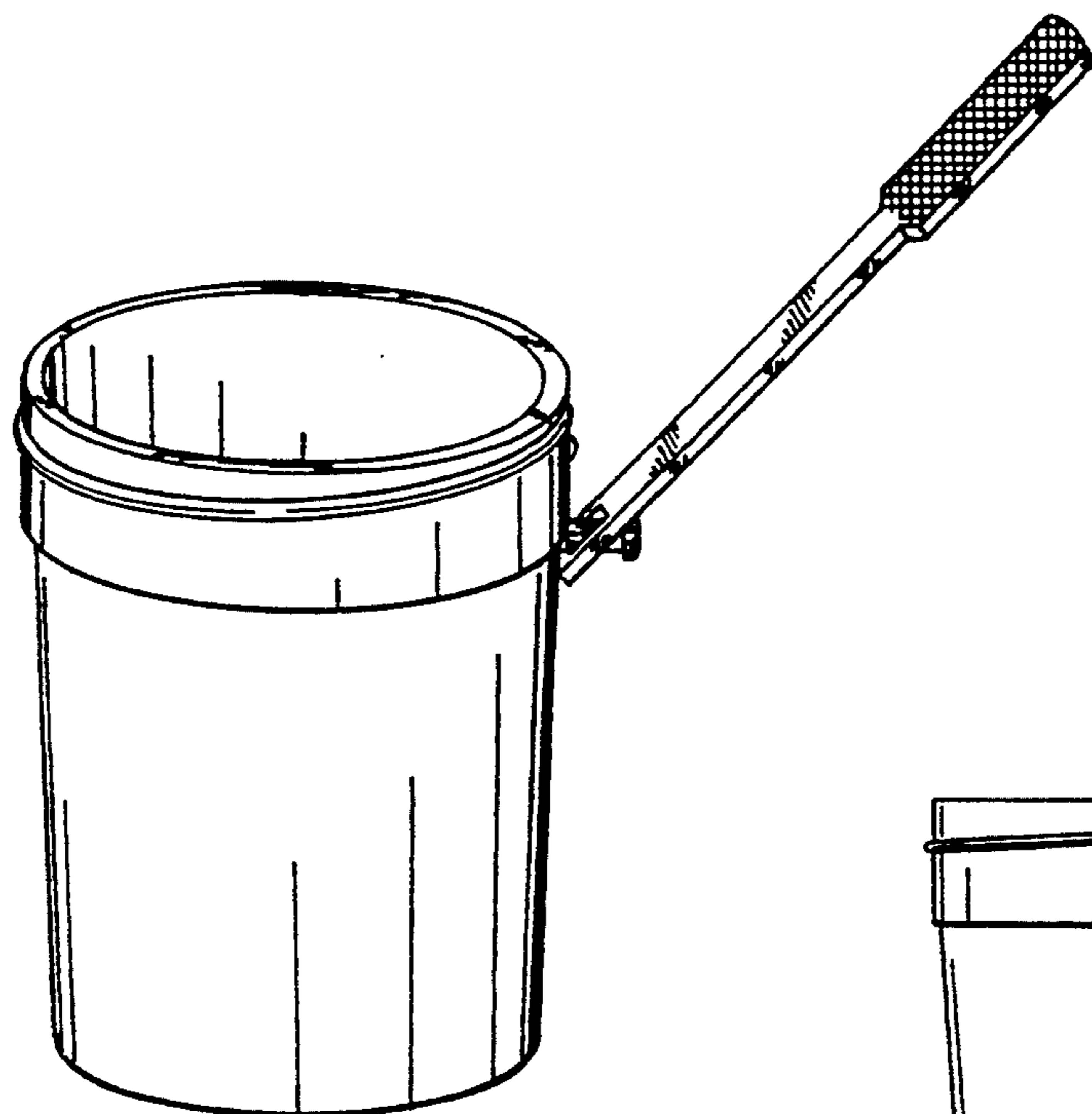


FIG. 1

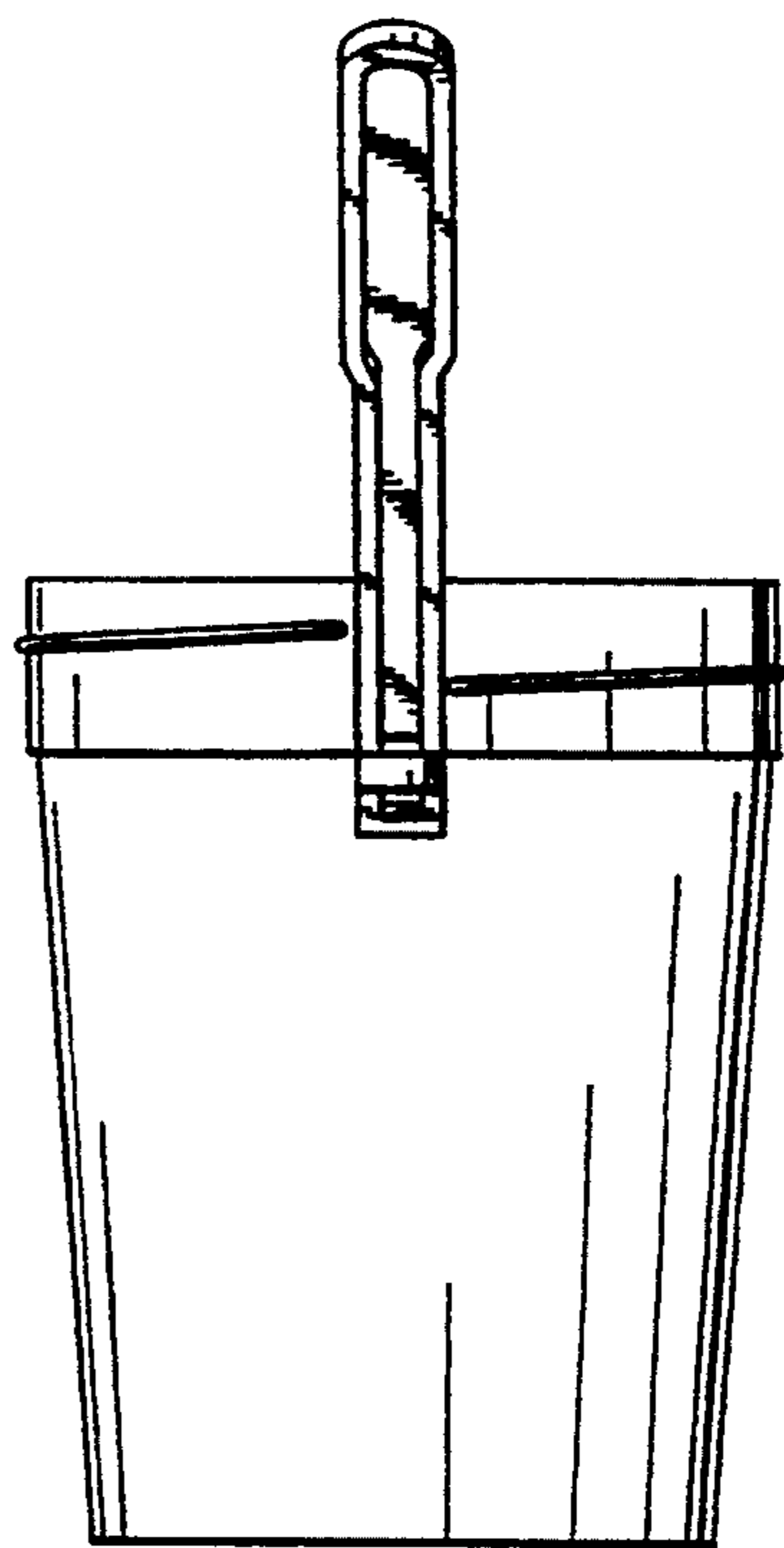


FIG. 2

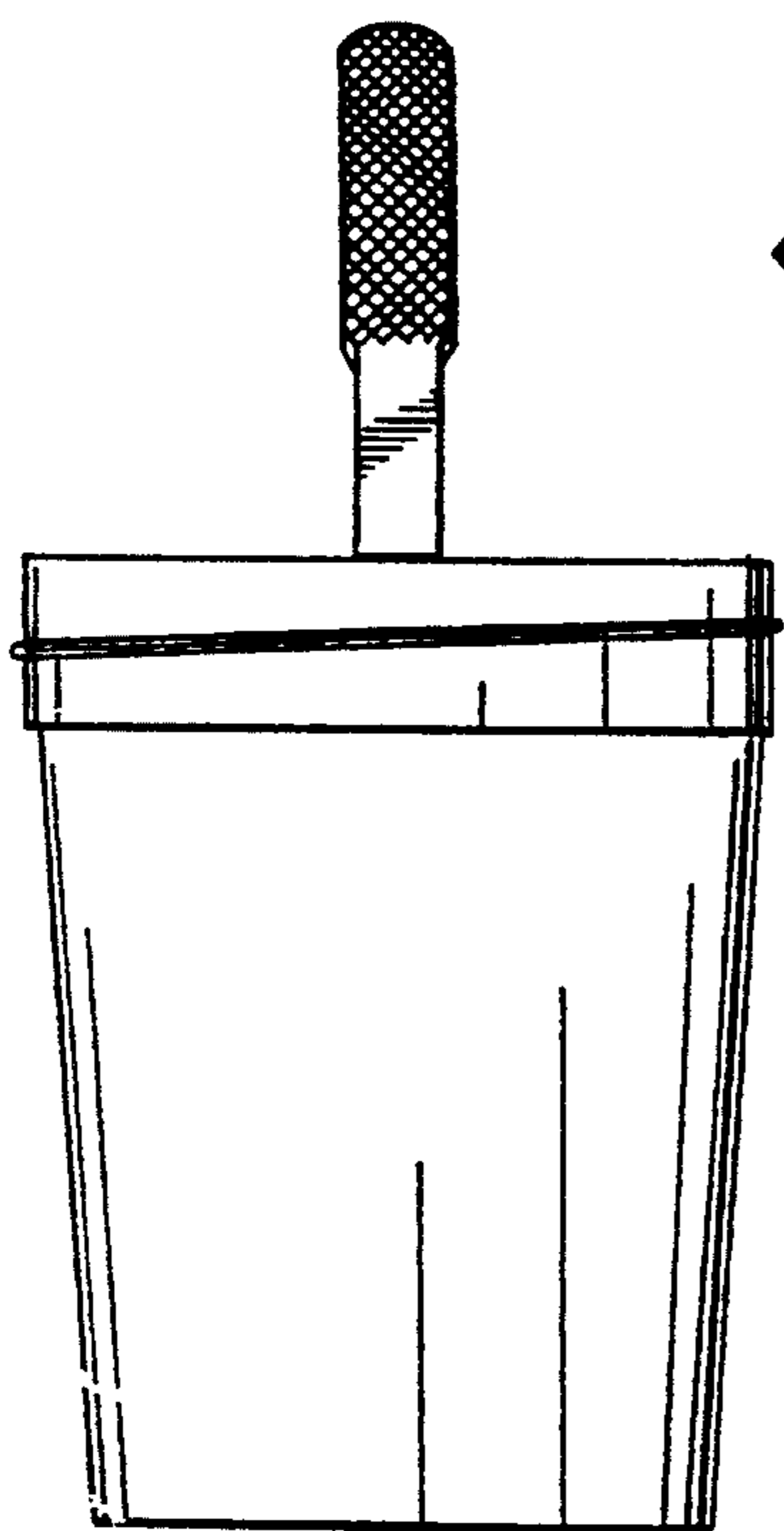


FIG. 3

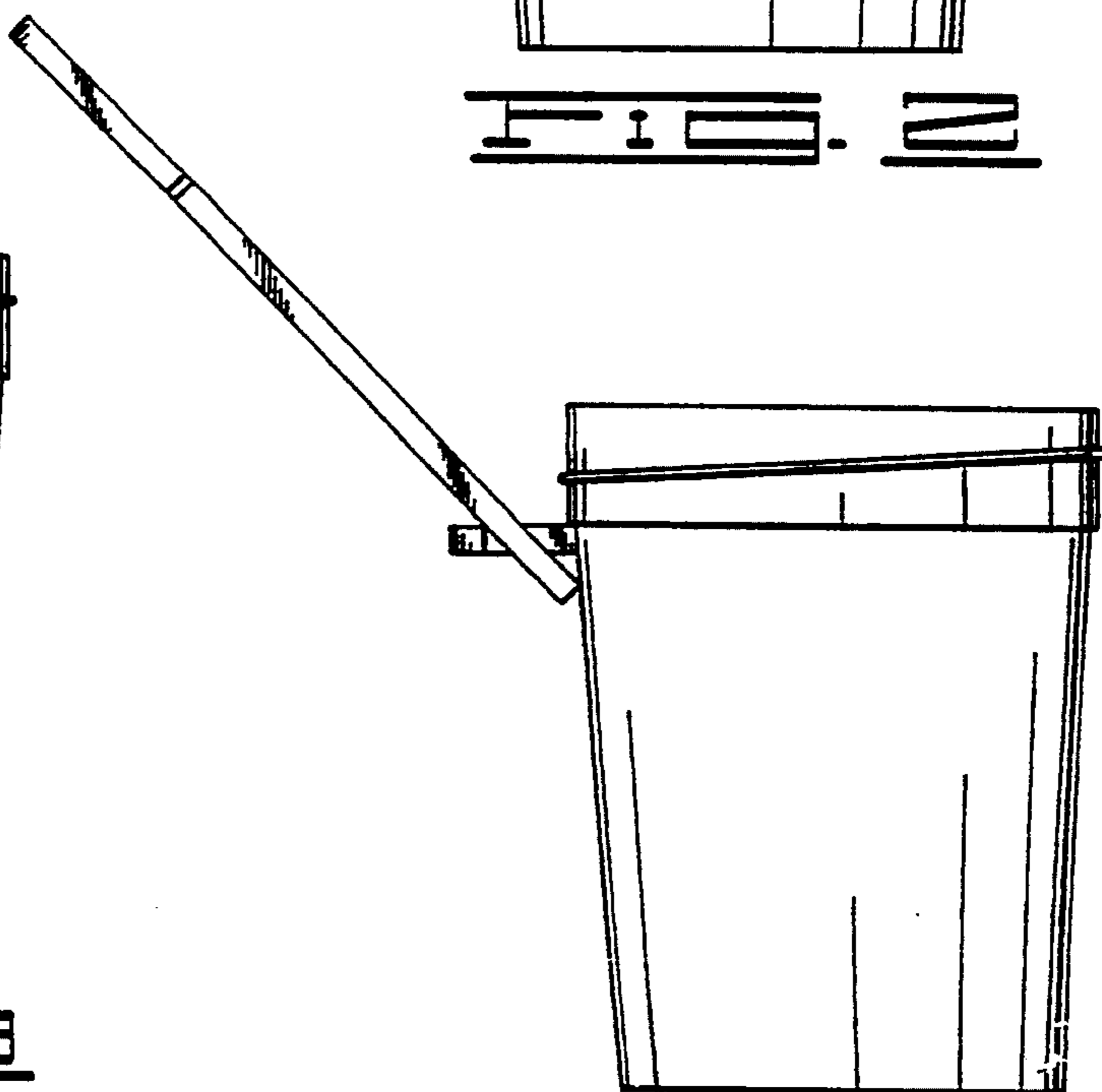


FIG. 4

