



US00D353667S

# United States Patent [19]

[11] Patent Number: **Des. 353,667**

Tsubota et al.

[45] Date of Patent: **\*\* Dec. 20, 1994**

## [54] INFUSION PUMP

[75] Inventors: **Jun Tsubota**, Tokyo; **Tetsuya Ide**, Fujinomiya, both of Japan

[73] Assignee: **Terumo Kabushiki Kaisha**, Tokyo, Japan

[\*\*] Term: **14 Years**

[21] Appl. No.: **15,847**

[22] Filed: **Nov. 30, 1993**

### [30] Foreign Application Priority Data

Jun. 3, 1993 [JP] Japan ..... 5-16171

[52] U.S. Cl. .... **D24/111**

[58] Field of Search ..... 128/DIG. 13, DIG. 12; 417/474, 477; 604/151-154, 215, 253; D24/111; D15/7

### [56] References Cited

#### U.S. PATENT DOCUMENTS

- D. 236,164 7/1975 Manno ..... D24/111
- D. 268,206 3/1983 Kosako ..... D24/111
- D. 268,284 3/1983 Manno et al. .... D24/111
- D. 328,952 8/1992 Arioka ..... D24/111
- 328,952 8/1992 Arioka .
- D. 344,735 3/1994 Ohman ..... D15/7

### FOREIGN PATENT DOCUMENTS

- 660807 9/1985 Japan .
- 680910 5/1986 Japan .
- 746451 10/1988 Japan .
- 780573 1/1990 Japan .
- 785344 4/1990 Japan .
- 787014 5/1990 Japan .
- 815984 8/1991 Japan .
- 879172 9/1993 Japan .

*Primary Examiner*—Ralf T. Seifert

*Attorney, Agent, or Firm*—Frishauf, Holtz, Goodman & Woodward

### [57] CLAIM

The ornamental design for an infusion pump, as shown and described.

### DESCRIPTION

FIG. 1 is a front, top, right side perspective view of an infusion pump showing our new design;  
 FIG. 2 is a front elevational view thereof;  
 FIG. 3 is a rear elevational view thereof;  
 FIG. 4 is a right side elevational view thereof;  
 FIG. 5 is a left side elevational view thereof;  
 FIG. 6 is a top plan view thereof; and,  
 FIG. 7 is a bottom plan view thereof.

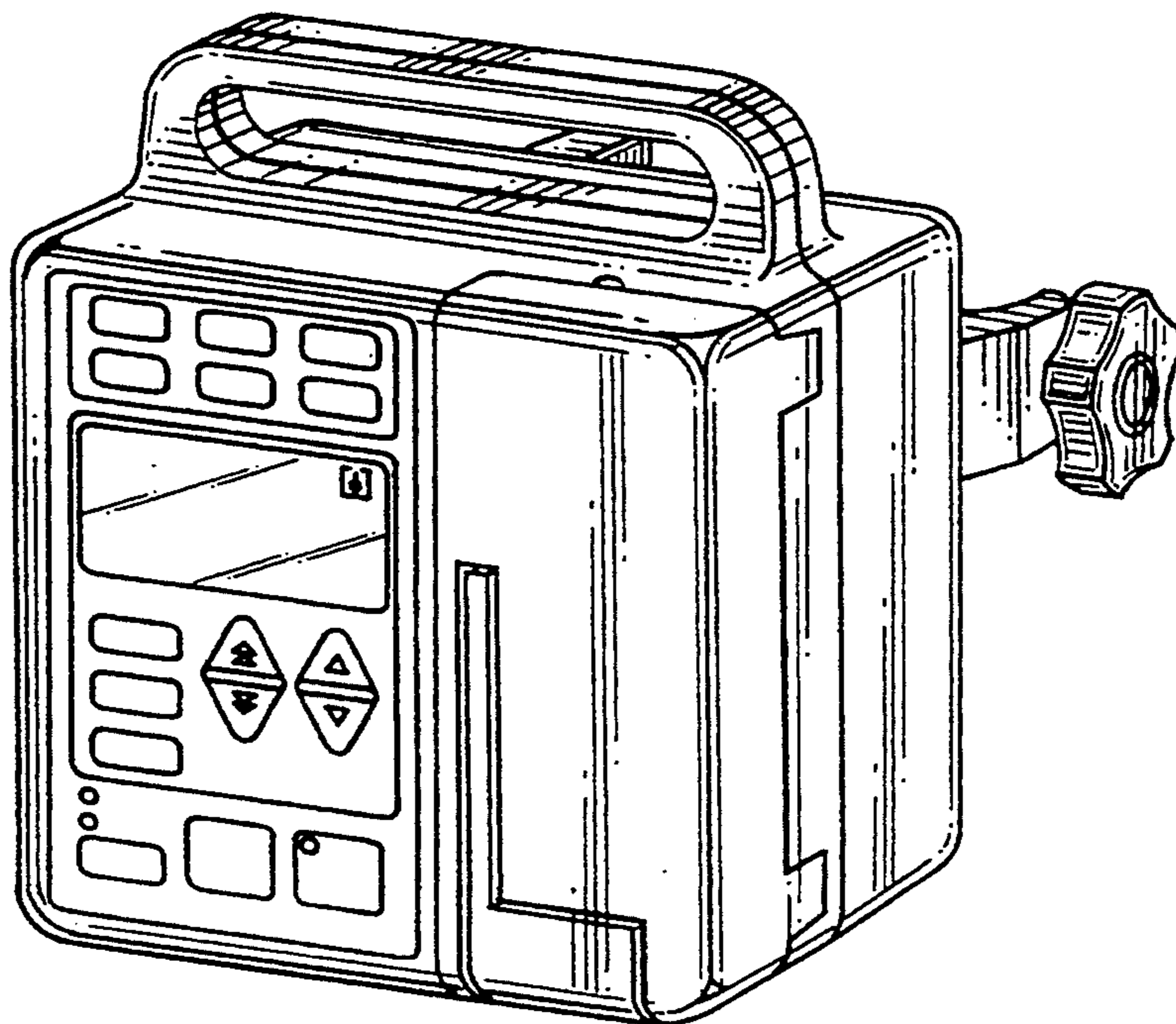


FIG. 1

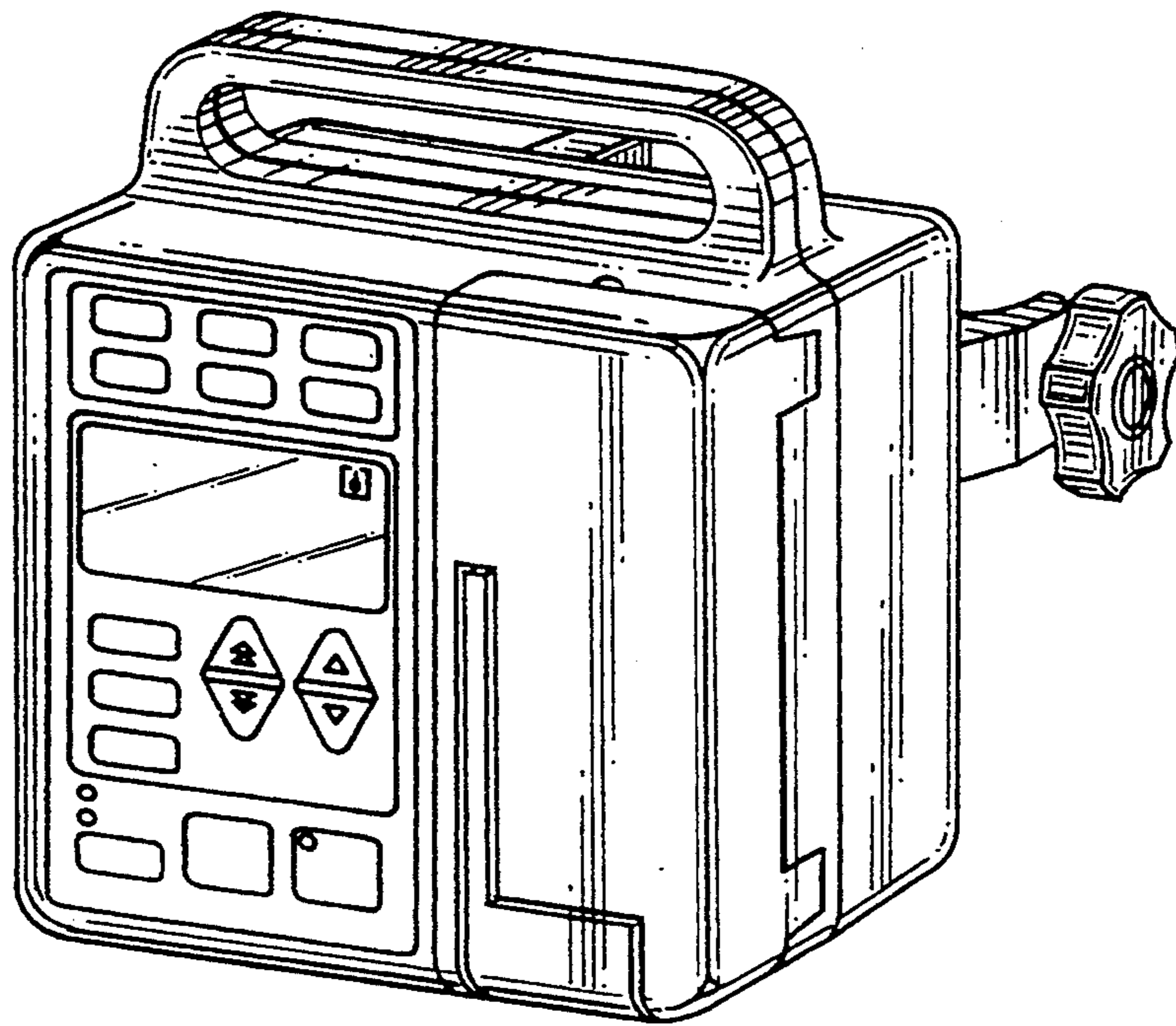


FIG. 2

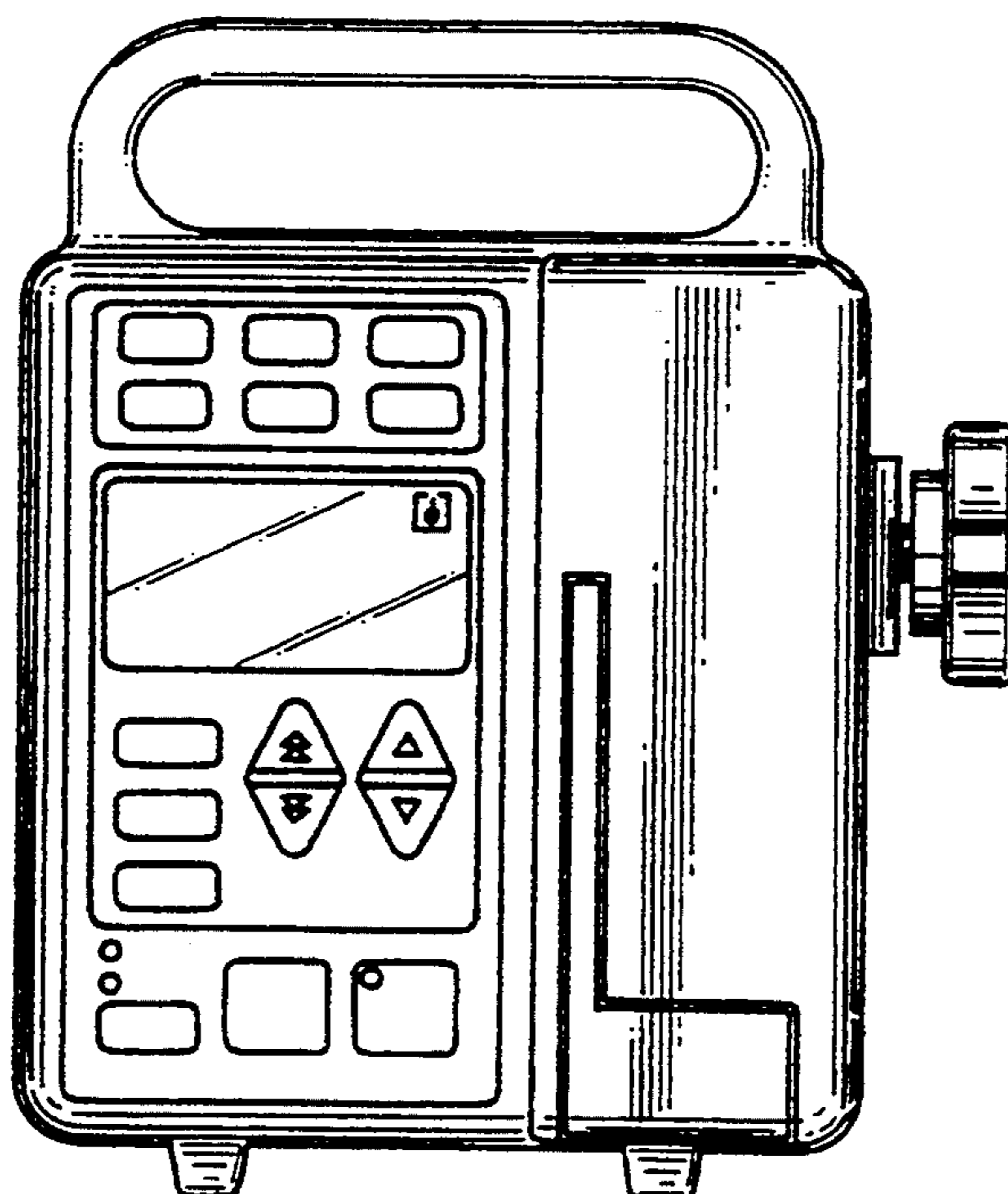


FIG.3

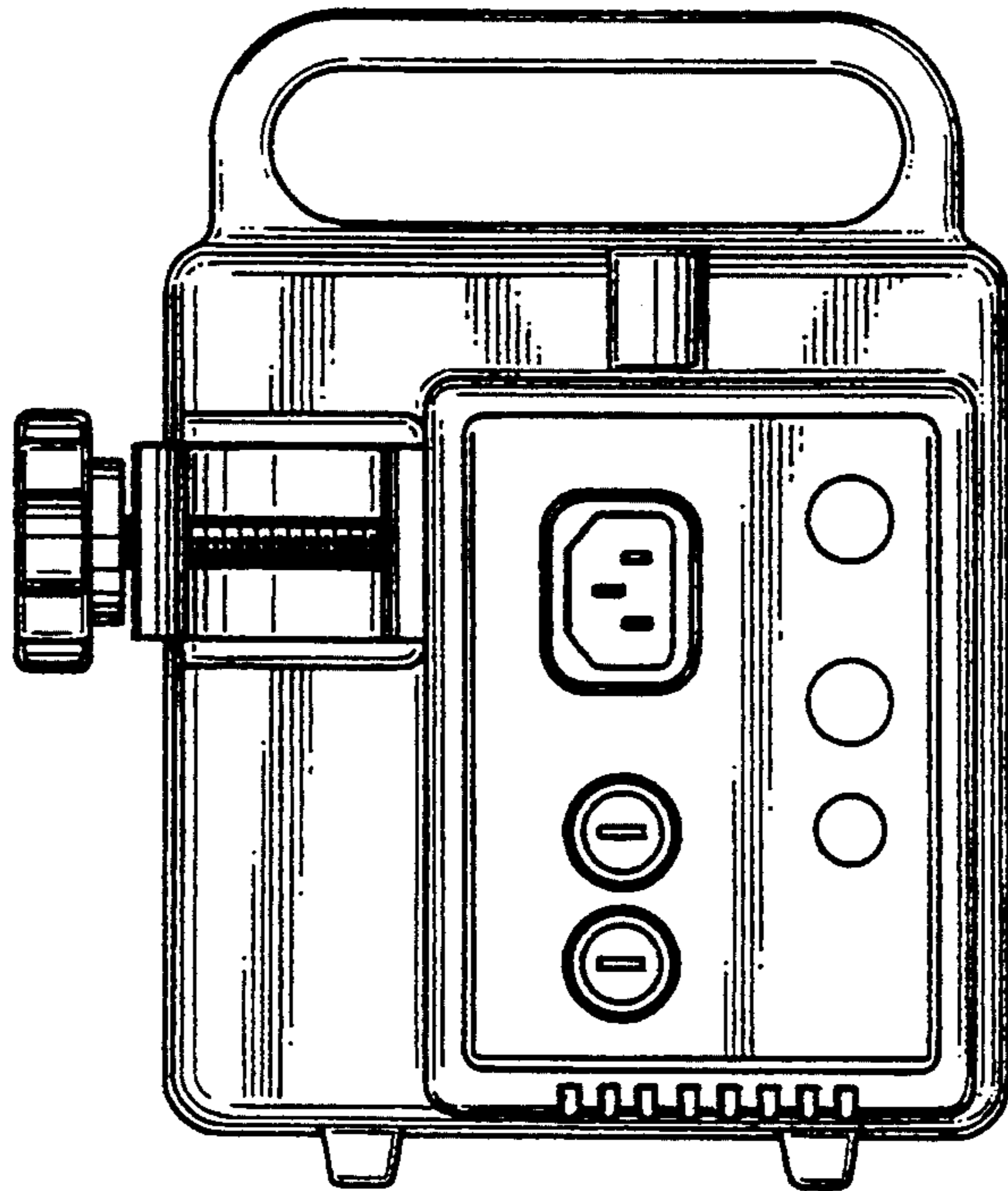


FIG.4

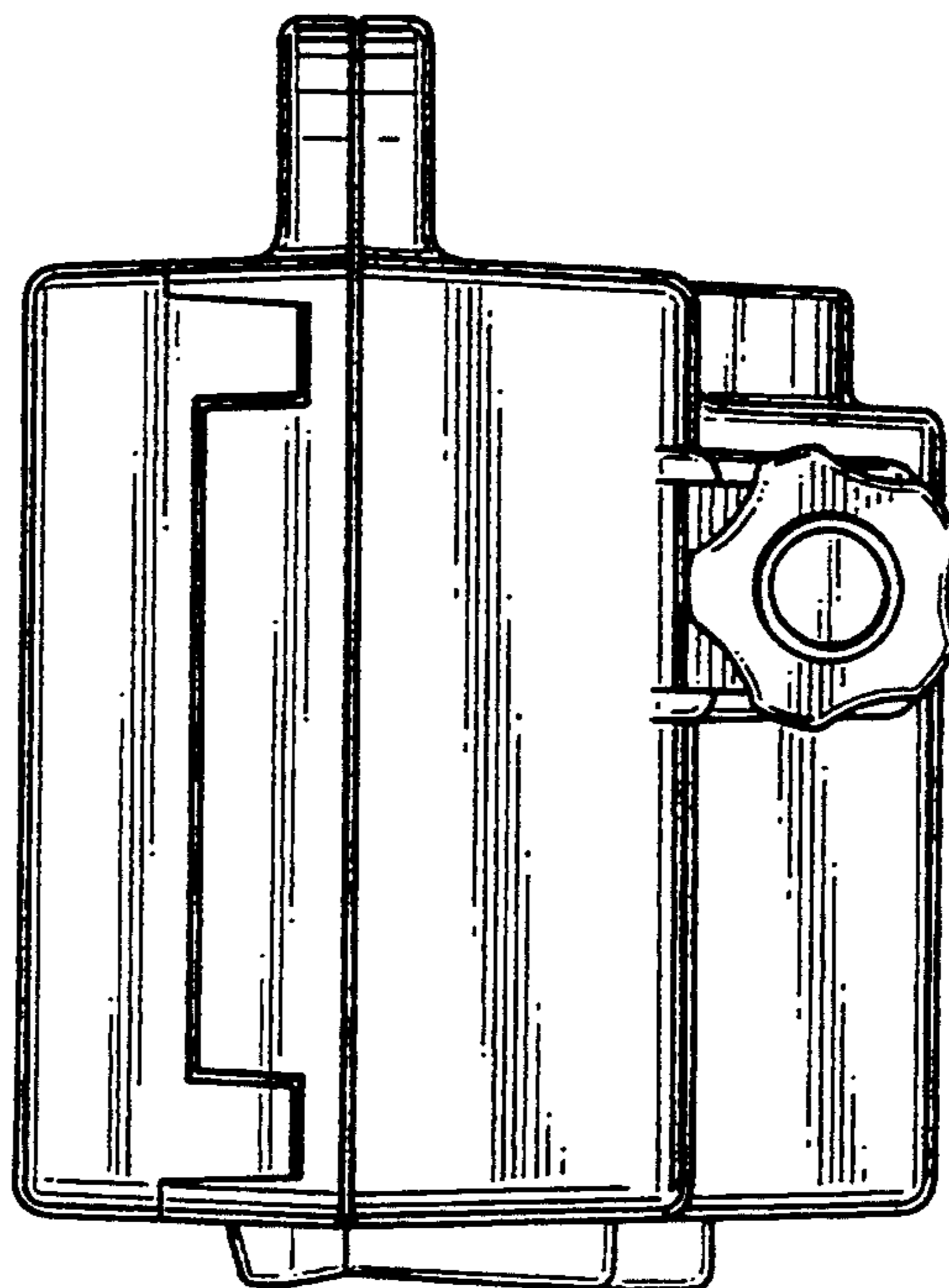


FIG.5

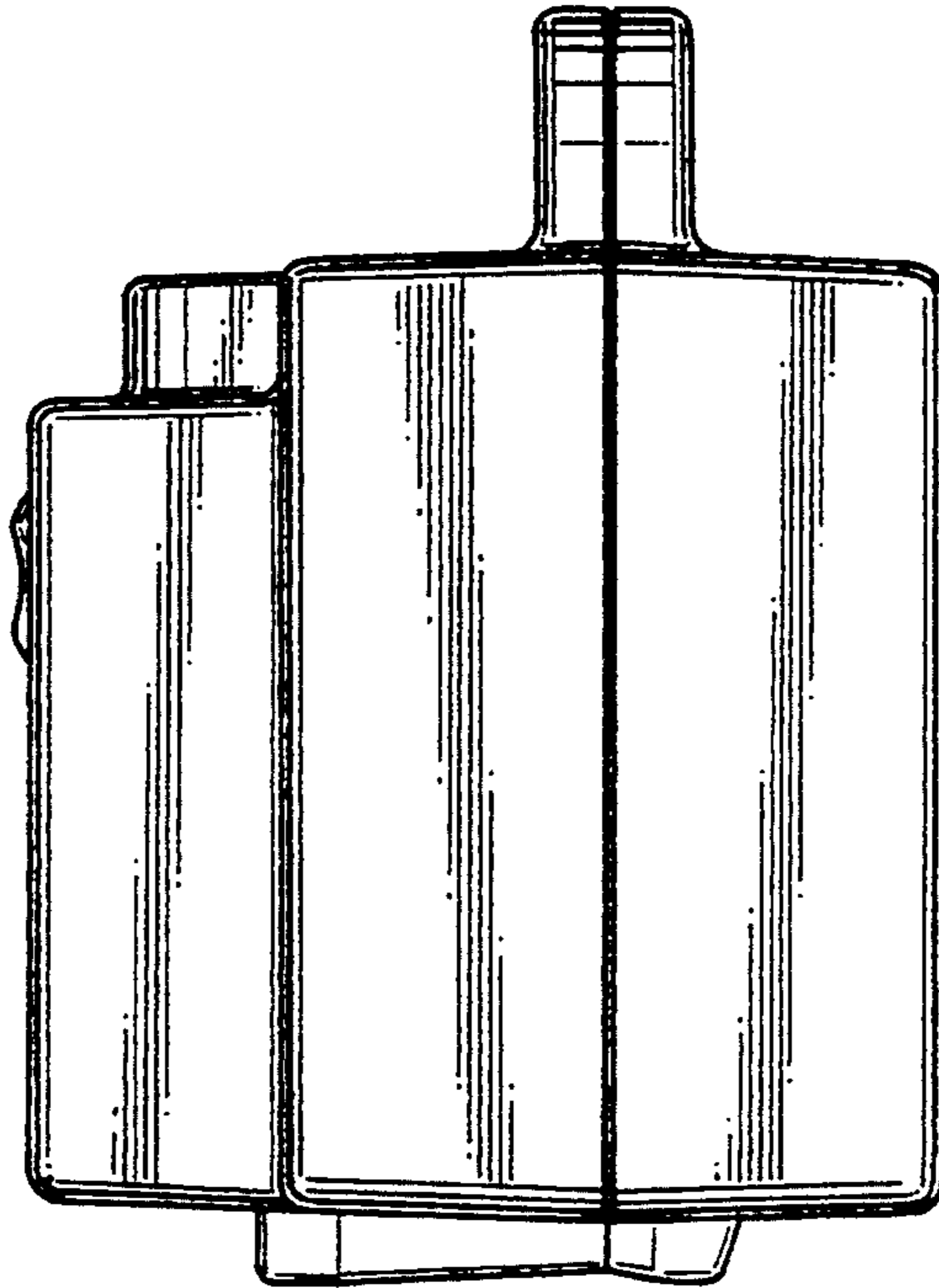


FIG.6

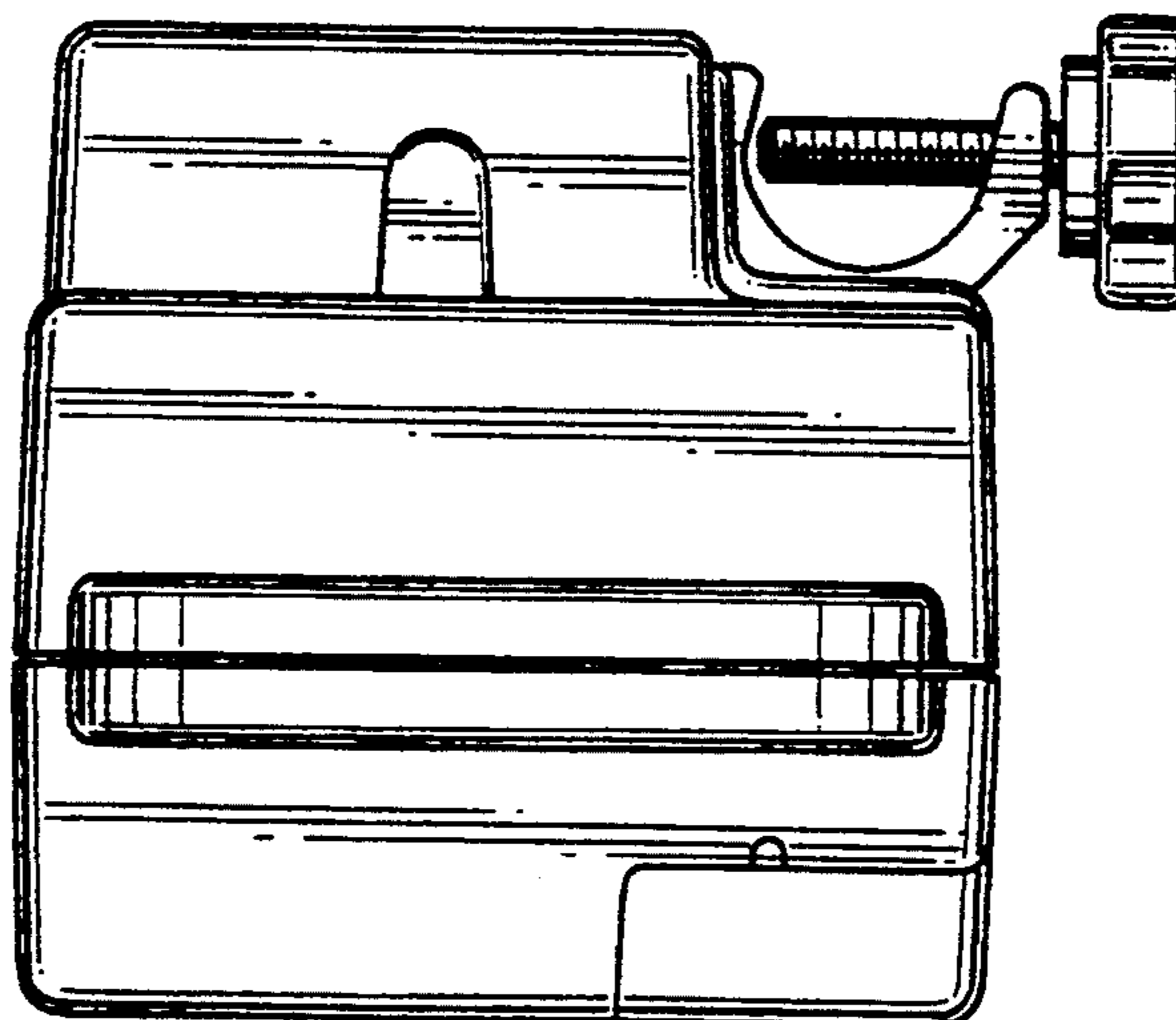


FIG. 7

