



US00D353664S

United States Patent [19]

[11] Patent Number: **Des. 353,664**

Eminger et al.

[45] Date of Patent: **** Dec. 20, 1994**

[54] **PORTABLE PNEUMATIC NAILER**

[75] Inventors: **Mark R. Eminger**, Warwick, R.I.;
David W. Kaiser, North Haven,
Conn.

[73] Assignee: **Stanley-Bostitch, Inc.**, East
Greenwich, R.I.

[**] Term: **14 Years**

[21] Appl. No.: **8,525**

[22] Filed: **May 17, 1993**

[52] U.S. Cl. **D8/69**

[58] Field of Search **D8/61, 69; 227/8, 10,**
227/120, 130, 131, 132

[56] **References Cited**

U.S. PATENT DOCUMENTS

- D. 316,022 4/1991 Moraht D8/69
- D. 323,964 2/1992 Ogawa et al. D8/69
- D. 334,329 3/1993 Ogawa et al. D8/69

- D. 337,252 7/1993 Tsuru et al. D8/69
- D. 338,606 8/1993 Oda D8/69

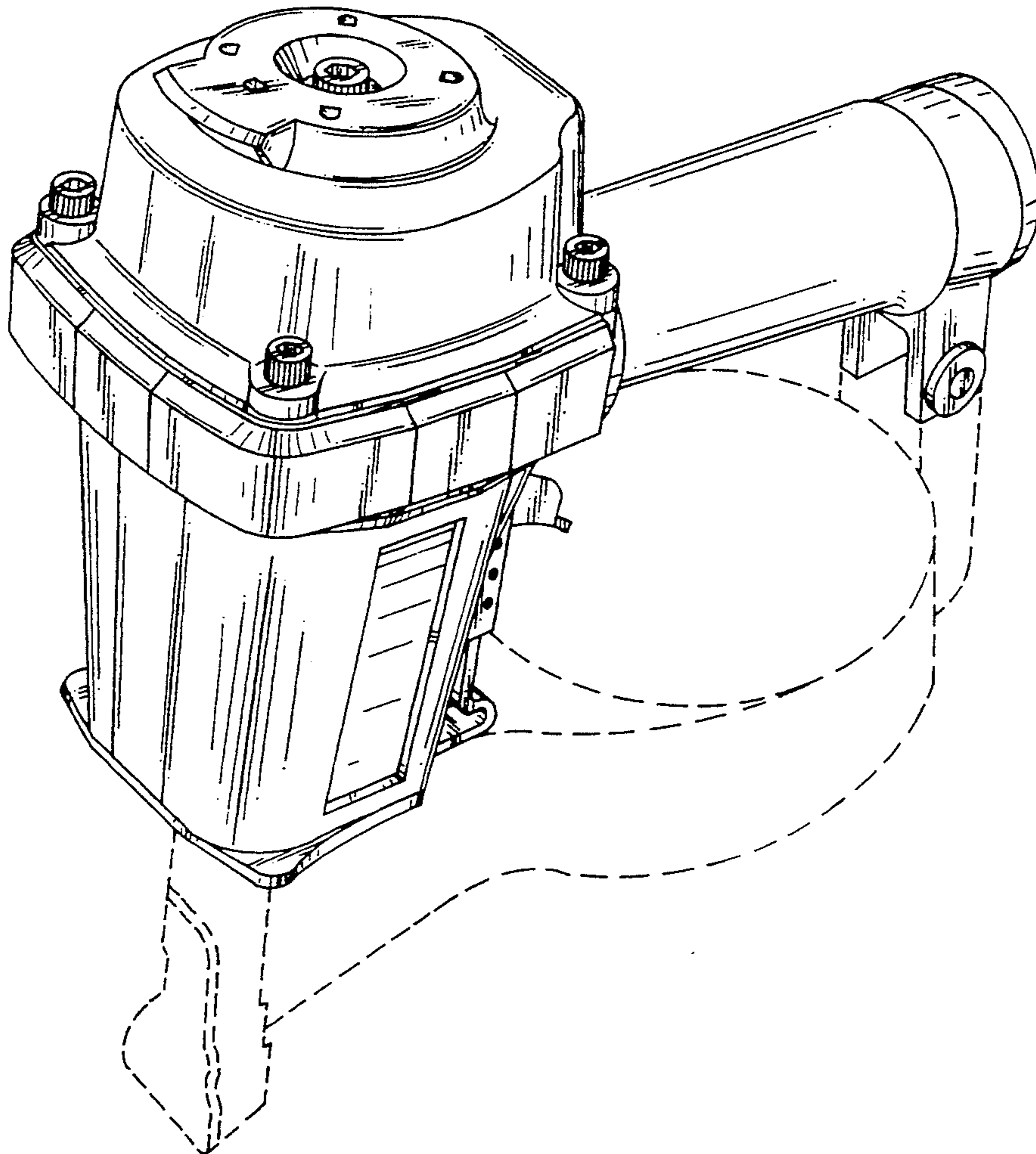
Primary Examiner—Alan P. Douglas
Assistant Examiner—Jeffry H. Musgrove
Attorney, Agent, or Firm—Cushman, Darby & Cushman

[57] **CLAIM**

The ornamental design for a portable pneumatic nailer, as shown and described.

DESCRIPTION

FIG. 1 is a perspective view of a portable pneumatic nailer showing our new design, looking at the top, front and left side, the magazine assembly and nosepiece of the device being shown in phantom lines; FIG. 2 is a left side elevational view thereof, the right side thereof being a mirror image thereof; FIG. 3 is a front elevational view thereof; FIG. 4 is a rear elevational view thereof; FIG. 5 is a top plan view thereof; and, FIG. 6 is a bottom plan view thereof.



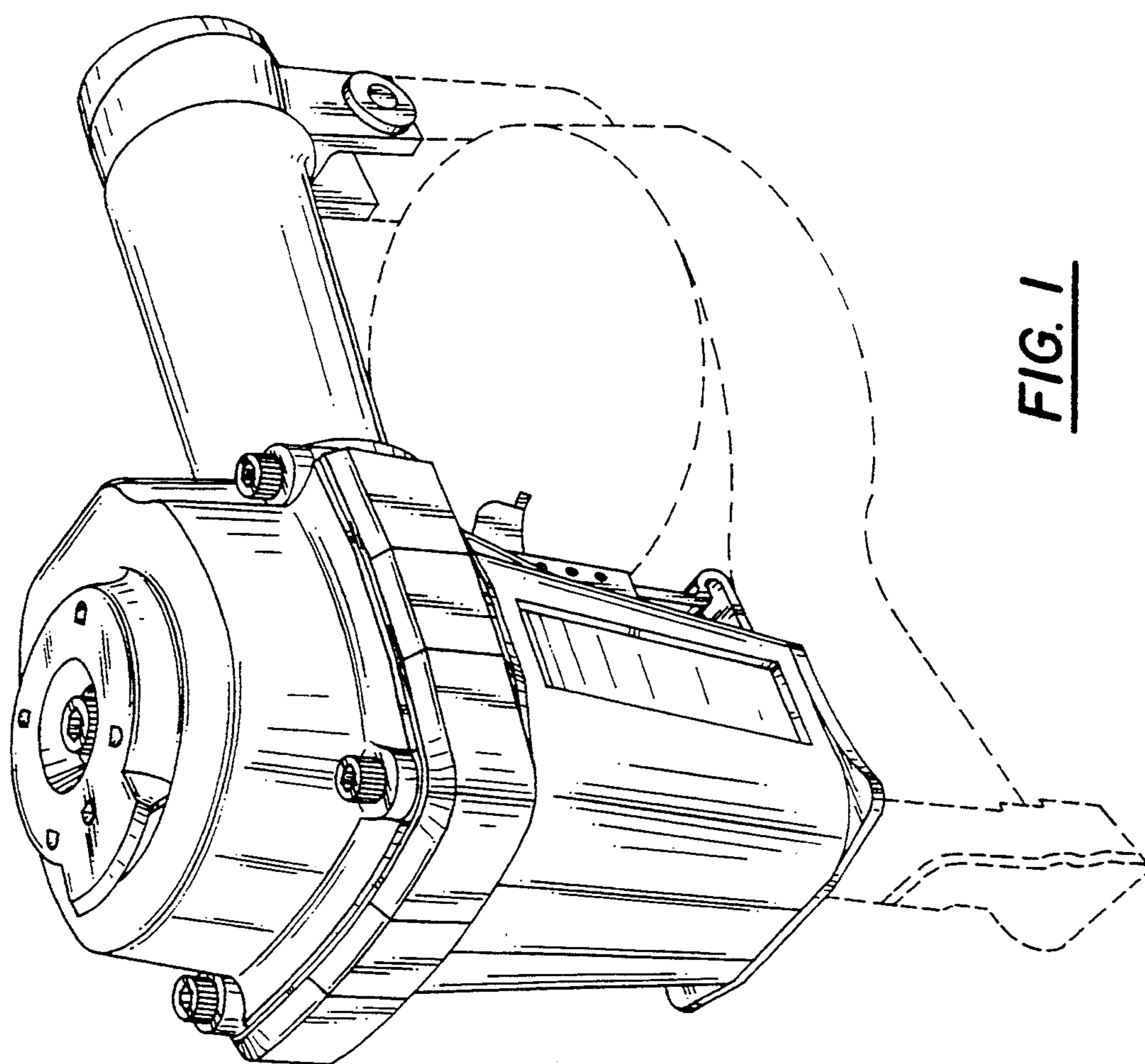


FIG. 1

FIG. 2

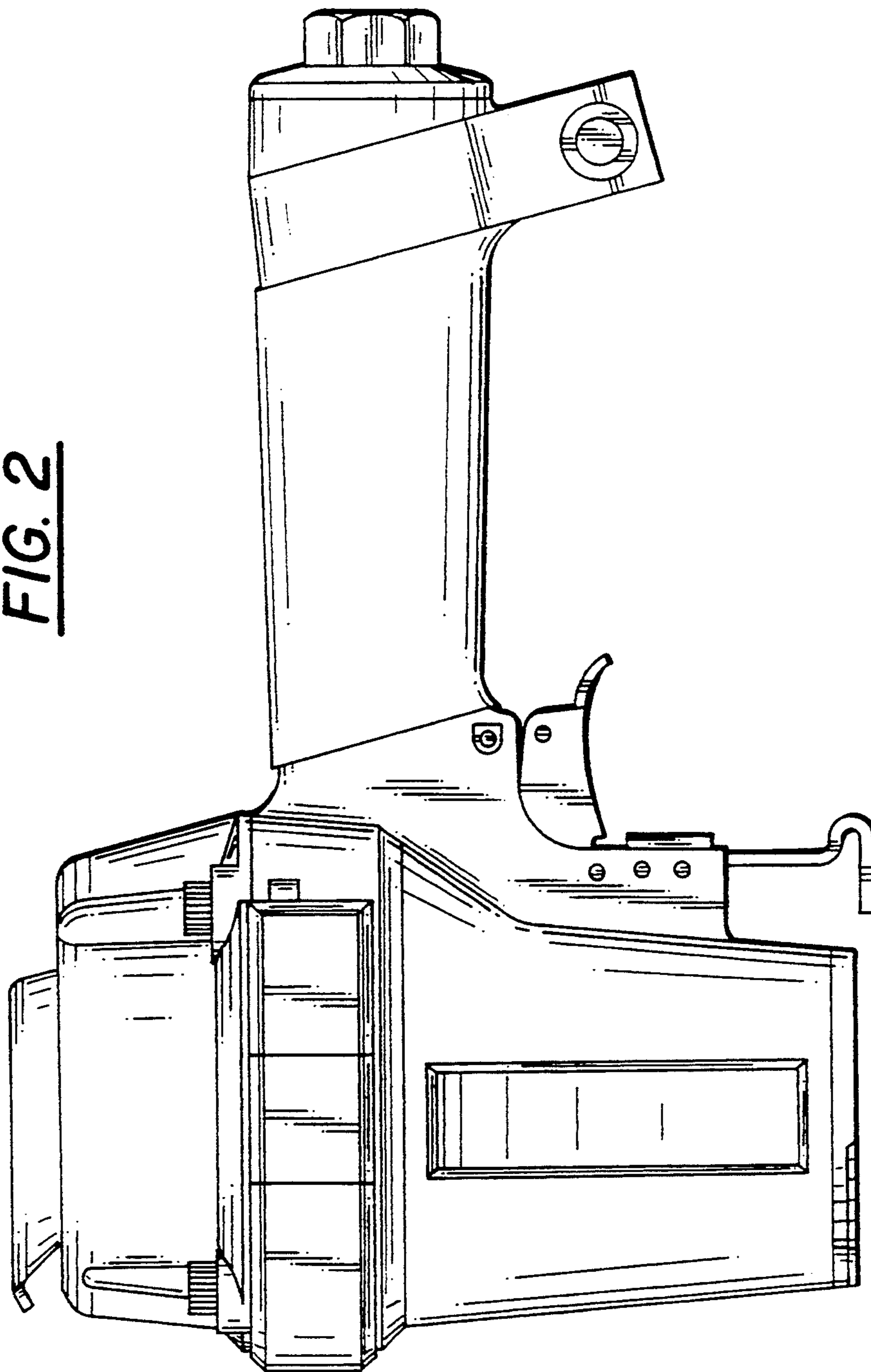


FIG. 4

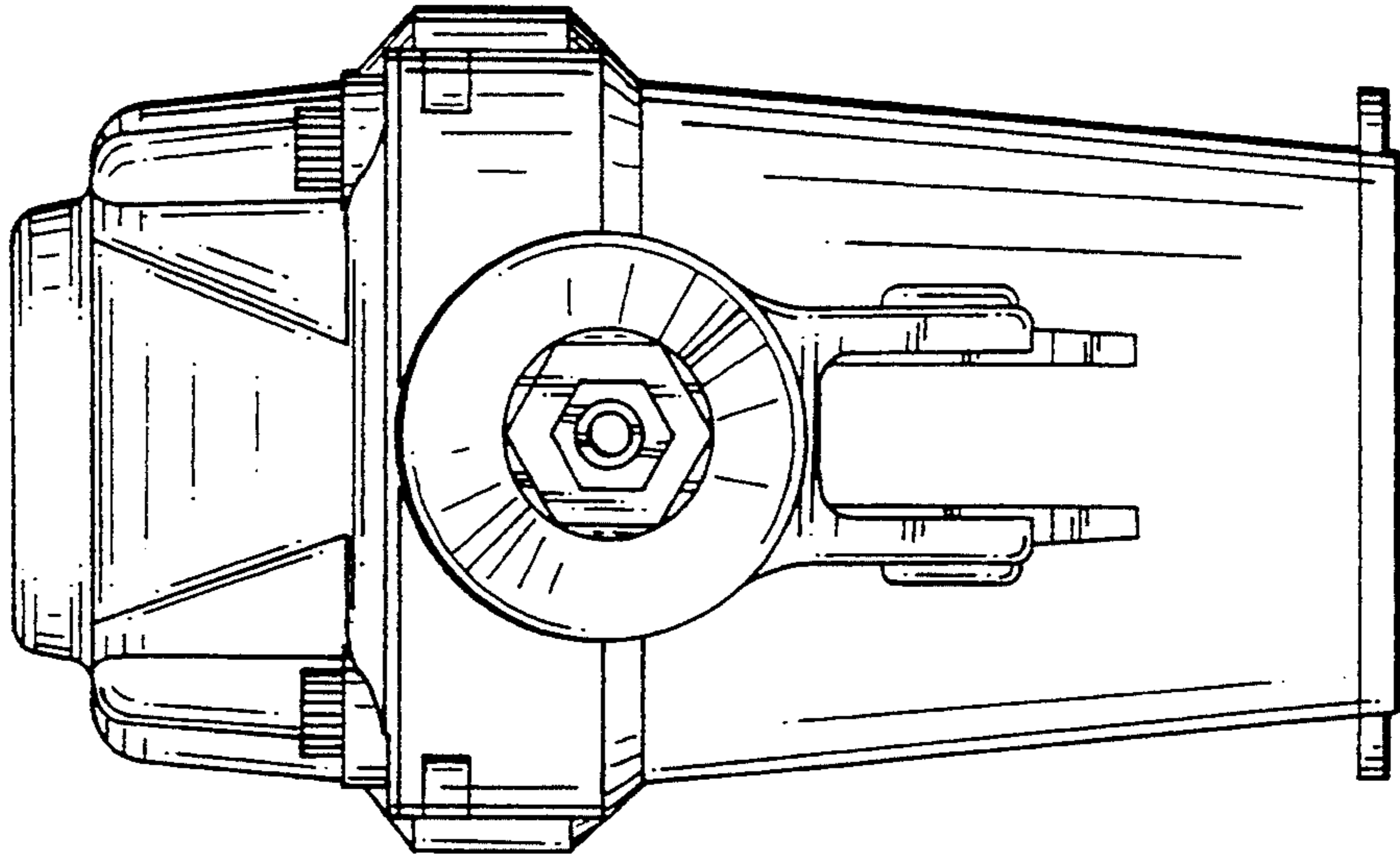
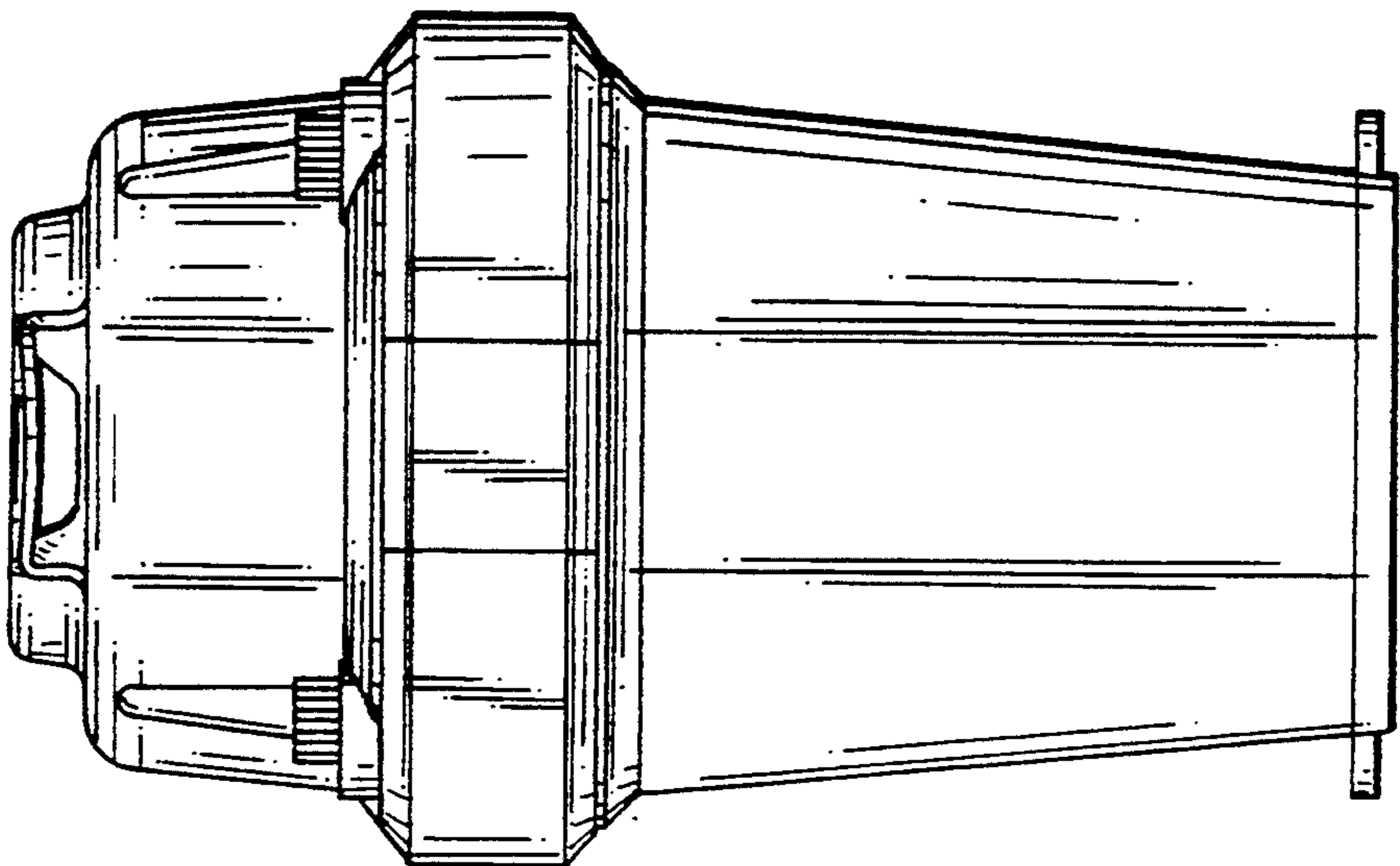


FIG. 3



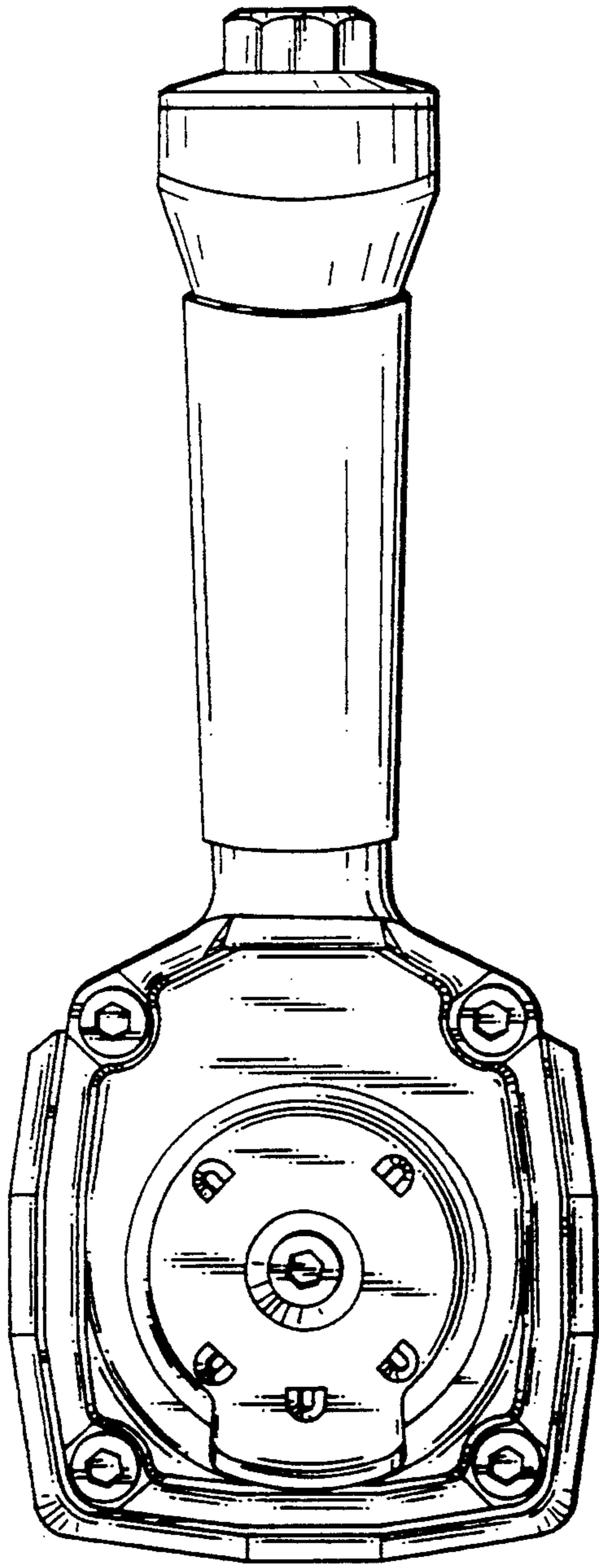


FIG. 5

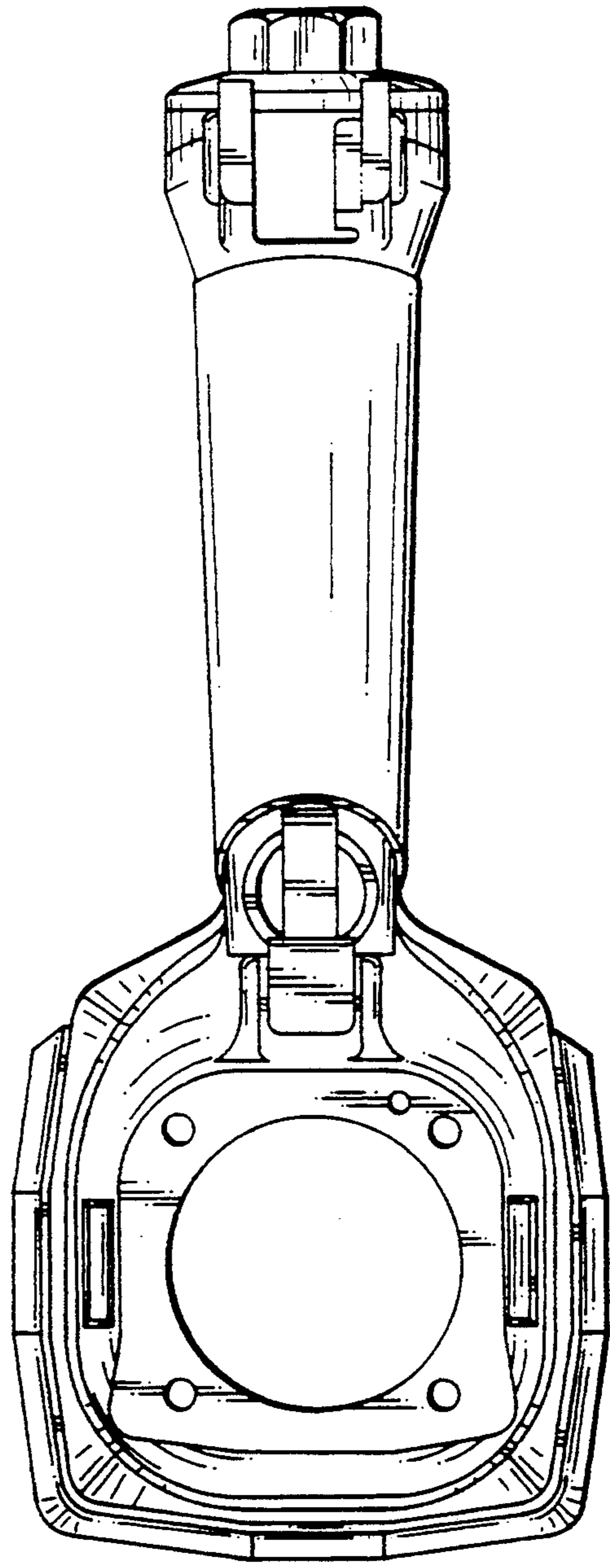


FIG. 6