



US00D353661S

United States Patent [19]

[11] Patent Number: **Des. 353,661**

Cich, Jr. et al.

[45] Date of Patent: **** Dec. 20, 1994**

[54] HEATER FAN

Attorney, Agent, or Firm—George Pappas

[75] Inventors: **James J. Cich, Jr.; Joseph C. Carley; Anthony F. Forthofer**, all of Fort Wayne, Ind.

[57] CLAIM

The ornamental design for a heater fan, as shown and described.

[73] Assignee: **Patton Electric Company, Inc.**, New Haven, Ind.

DESCRIPTION

[**] Term: **14 Years**

FIG. 1 is a front perspective view of the heater fan of the present invention in a horizontal position;

[21] Appl. No.: **17,285**

FIG. 2 is a right side view in elevation of the heater fan of FIG. 1;

[22] Filed: **Jan. 5, 1994**

FIG. 3 is a left side view in elevation of the heater fan of FIG. 1;

[52] U.S. Cl. **D23/335**

FIG. 4 is a top plan view of the heater fan of FIG. 1;

[58] Field of Search 416/95, 246; 392/365-369; 248/188.9, 188.91; D23/370, 332, 378, 328, 381

FIG. 5 is a bottom plan view of the heater fan of FIG. 1;

[56] **References Cited**

FIG. 6 is a front view in elevation of the heater fan of FIG. 1;

U.S. PATENT DOCUMENTS

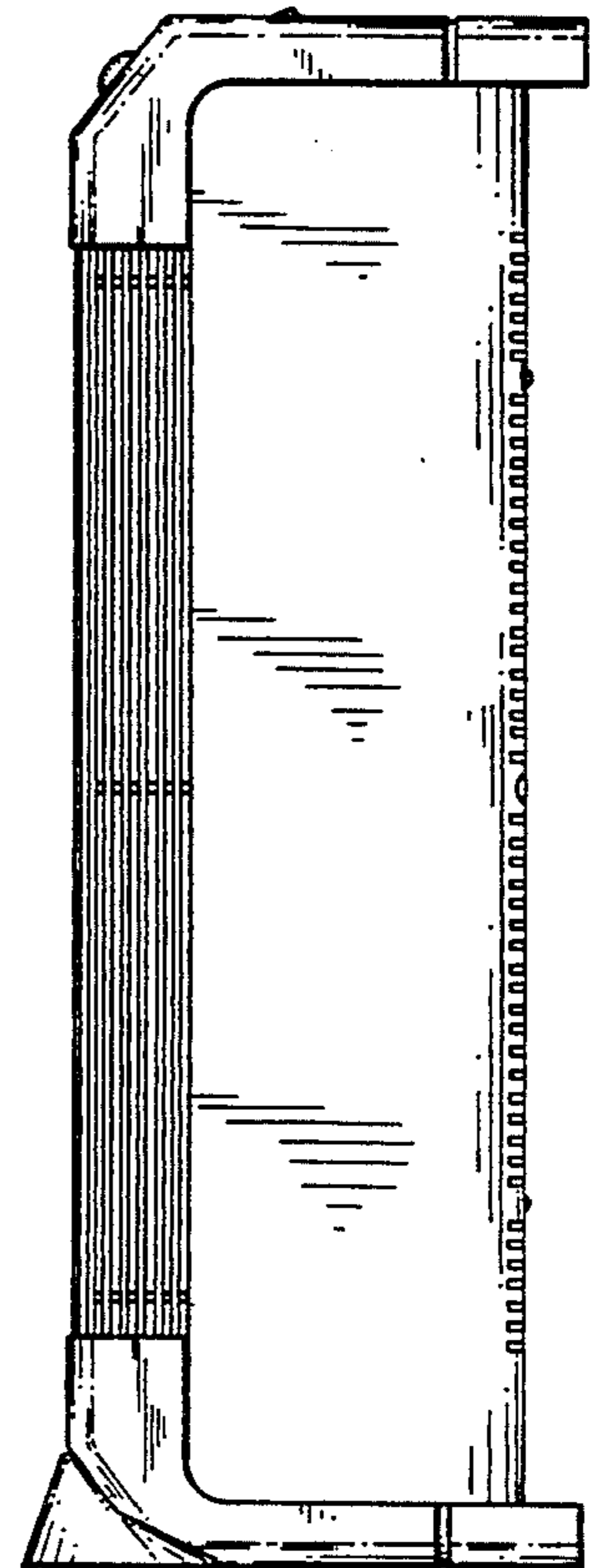
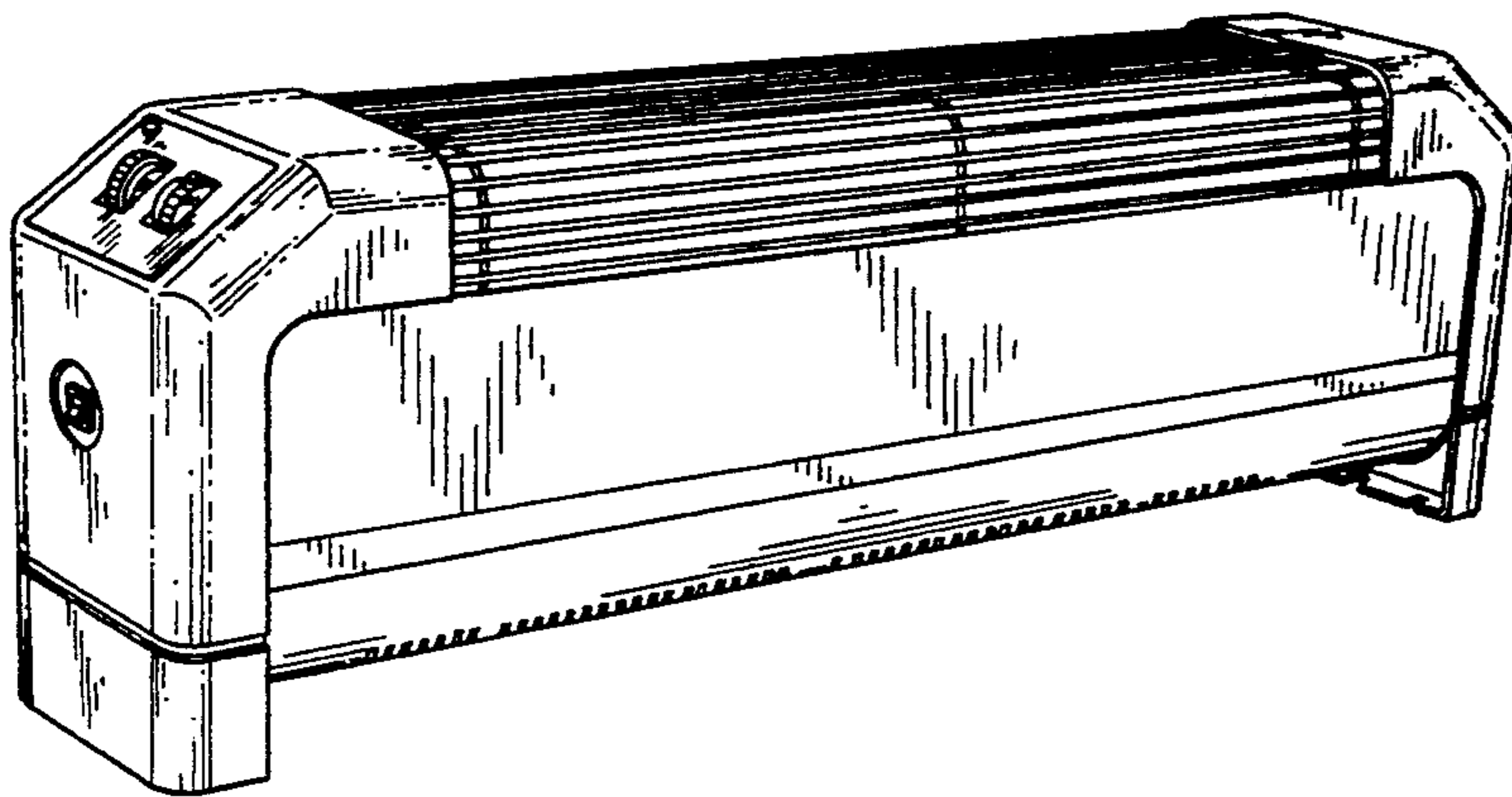
D. 248,043	5/1978	Schade	D23/335
D. 267,424	12/1982	Boldt et al.	D23/340
D. 290,997	7/1987	Utsuki et al.	D23/378
D. 311,951	11/1990	Dubin	D23/335
D. 315,598	3/1991	Yamamoto et al.	D23/378
D. 329,284	9/1992	Patton	D23/378
D. 337,635	7/1993	Schindler et al.	D23/328

FIG. 7 is a rear view in elevation of the heater fan of FIG. 1;

FIG. 8 is a second embodiment of the heater fan shown in FIG. 1 and showing a front view in elevation of the heater fan, said second embodiment being identical to that of FIGS. 1-7, except for the appearance of the added stability boot at its lower end; and,

FIG. 9 is a side view in elevation of the heater fan of FIG. 8.

Primary Examiner—Lisa P. Lichtenstein



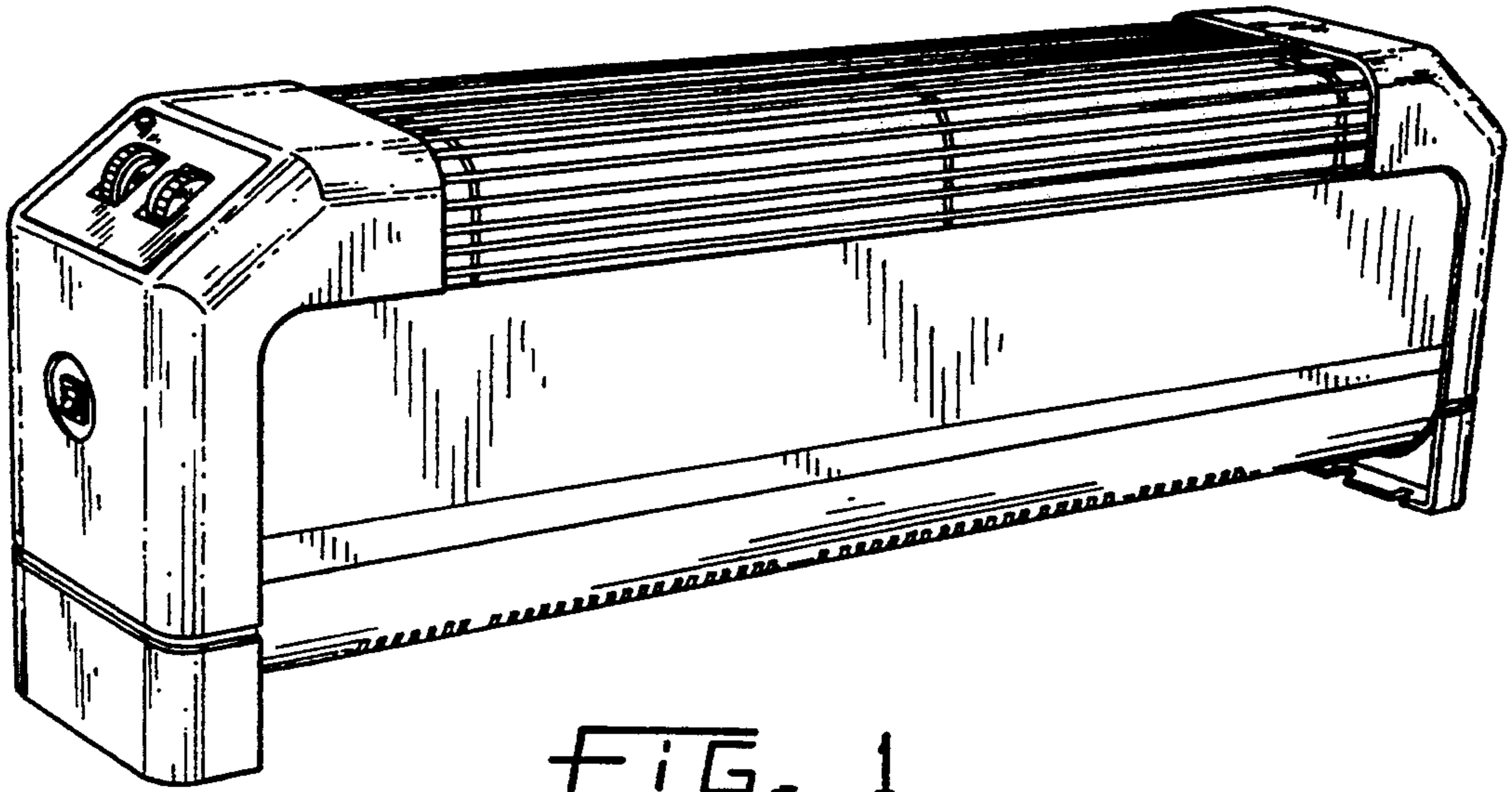


FIG. 1

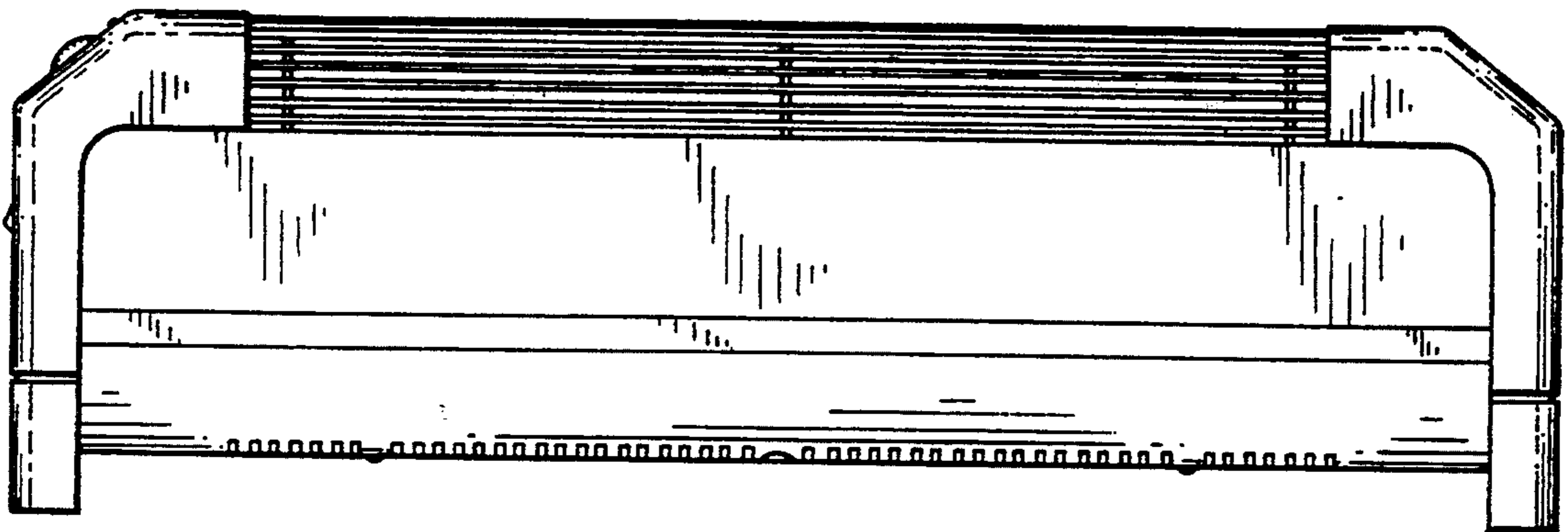


FIG. 2

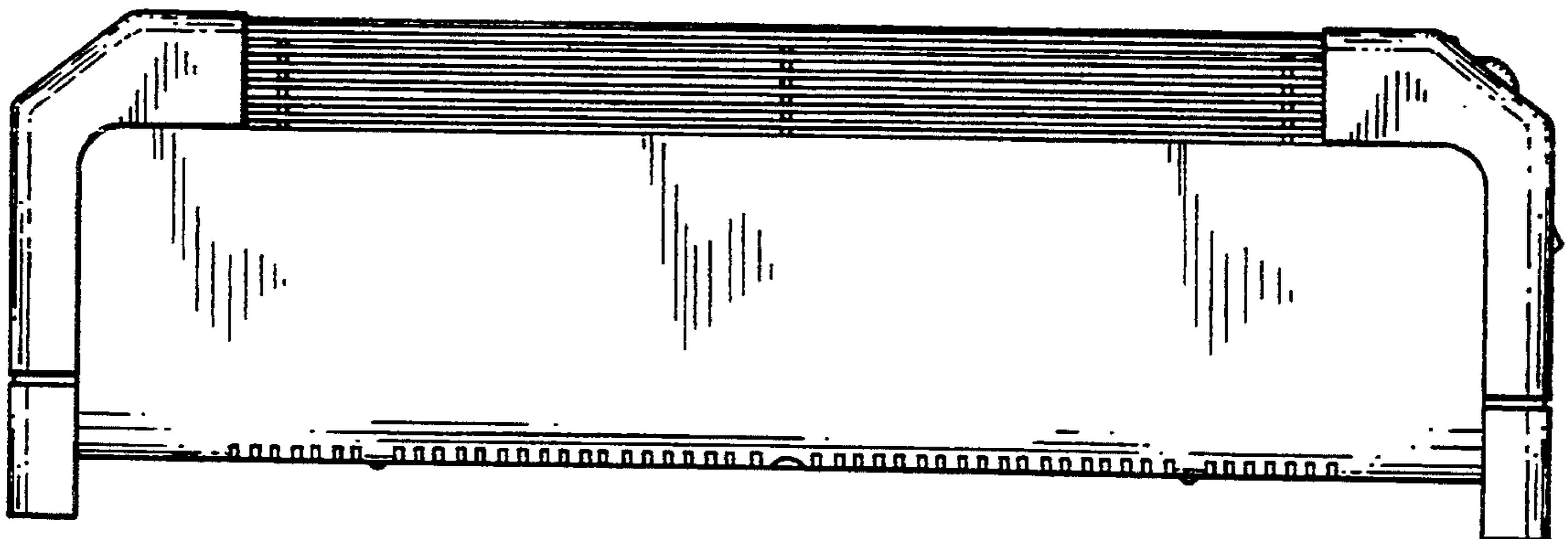


FIG. 3

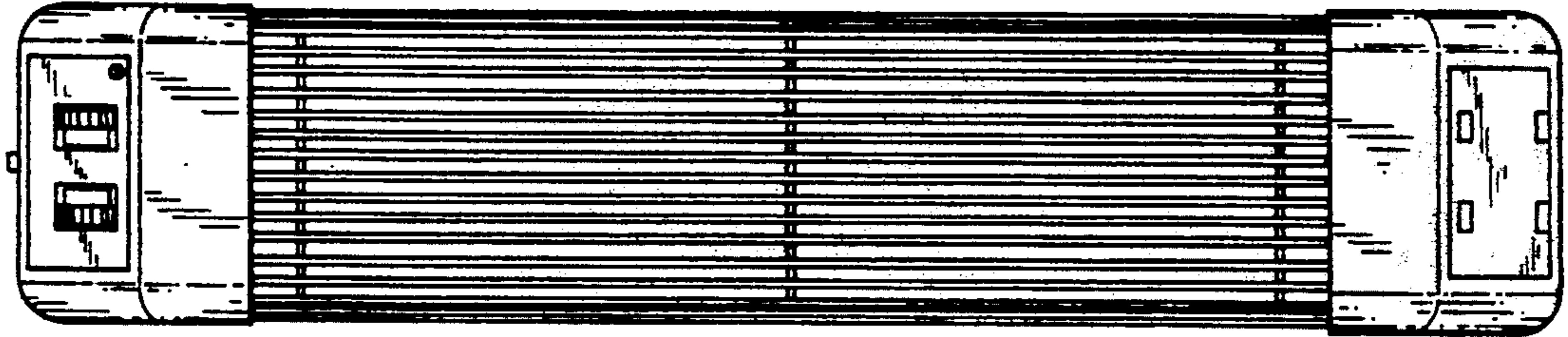


FIG. 4

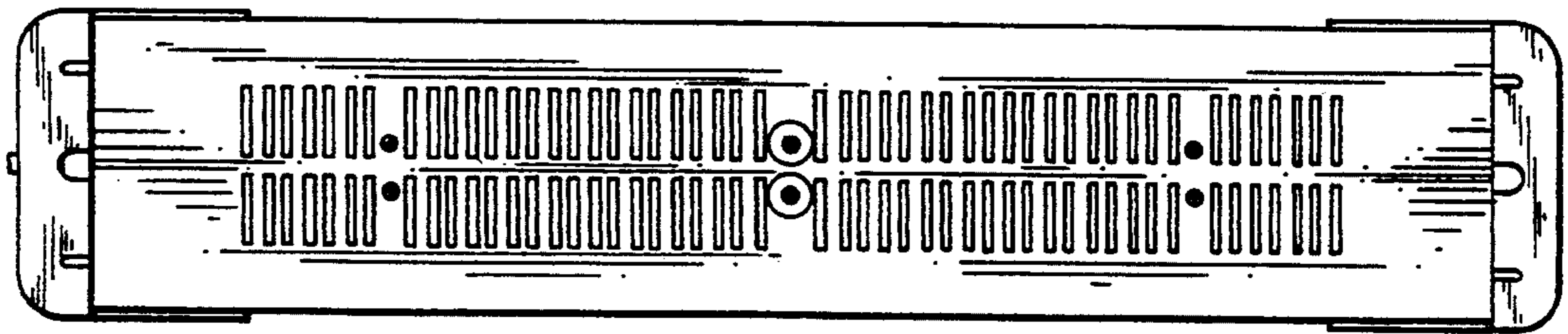


FIG. 5

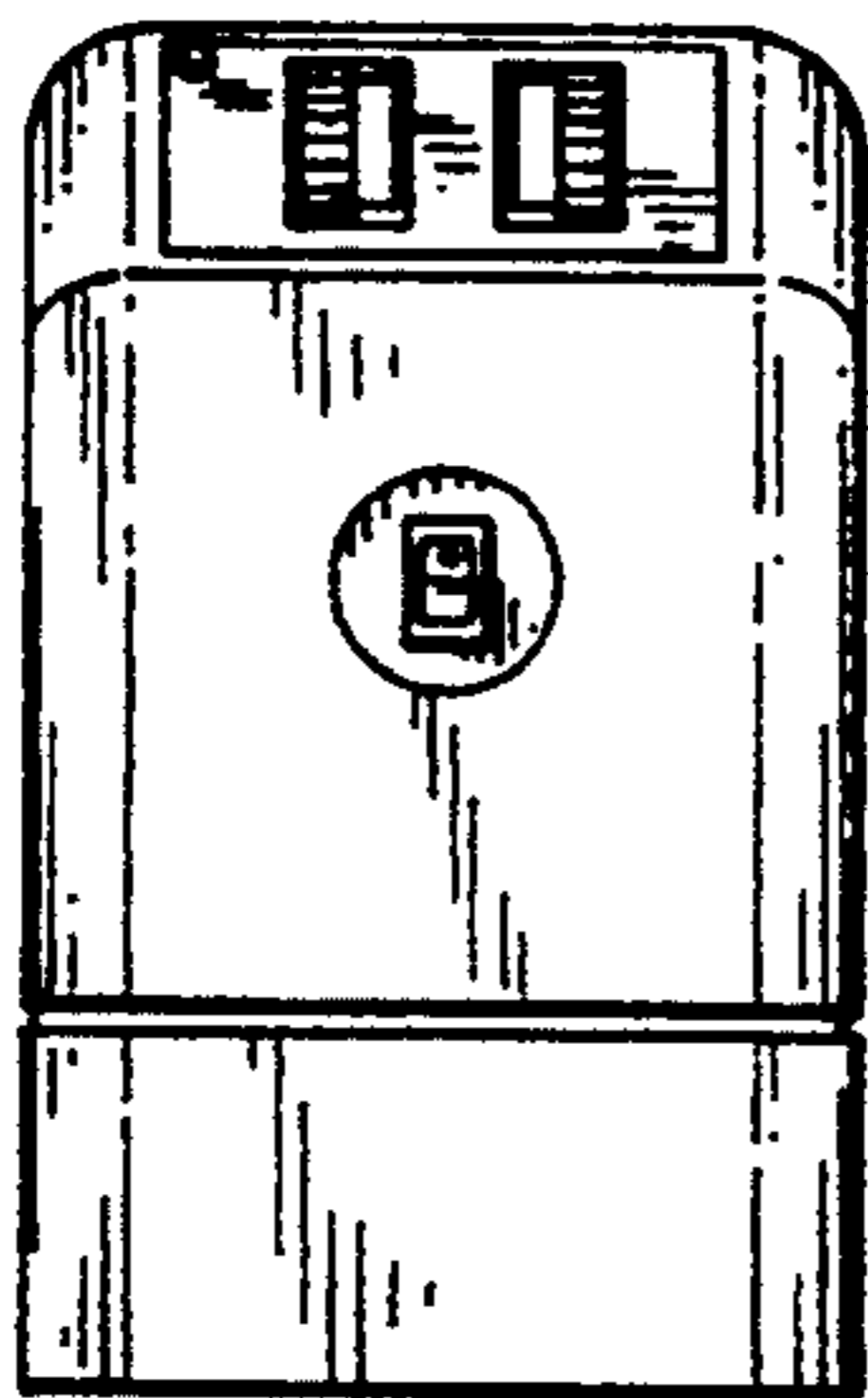


FIG. 6

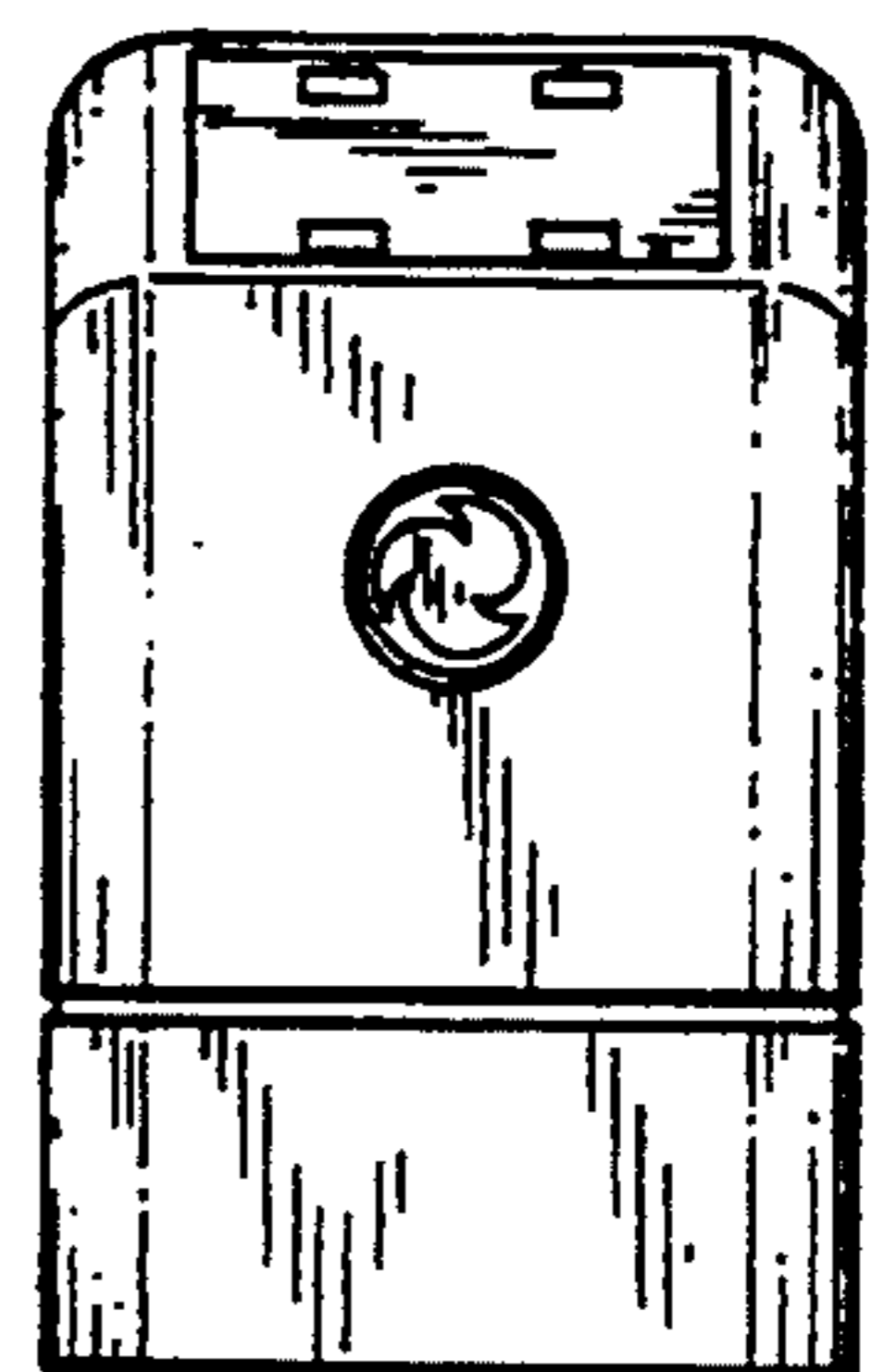


FIG. 7

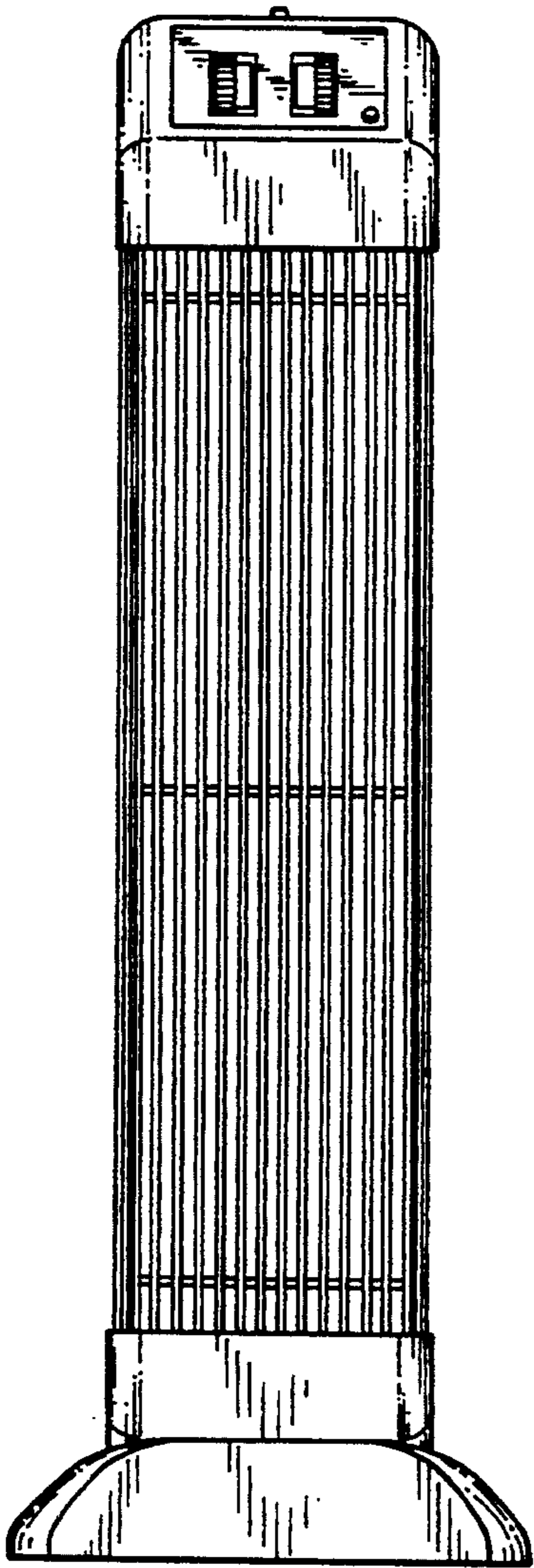


FIG. 8

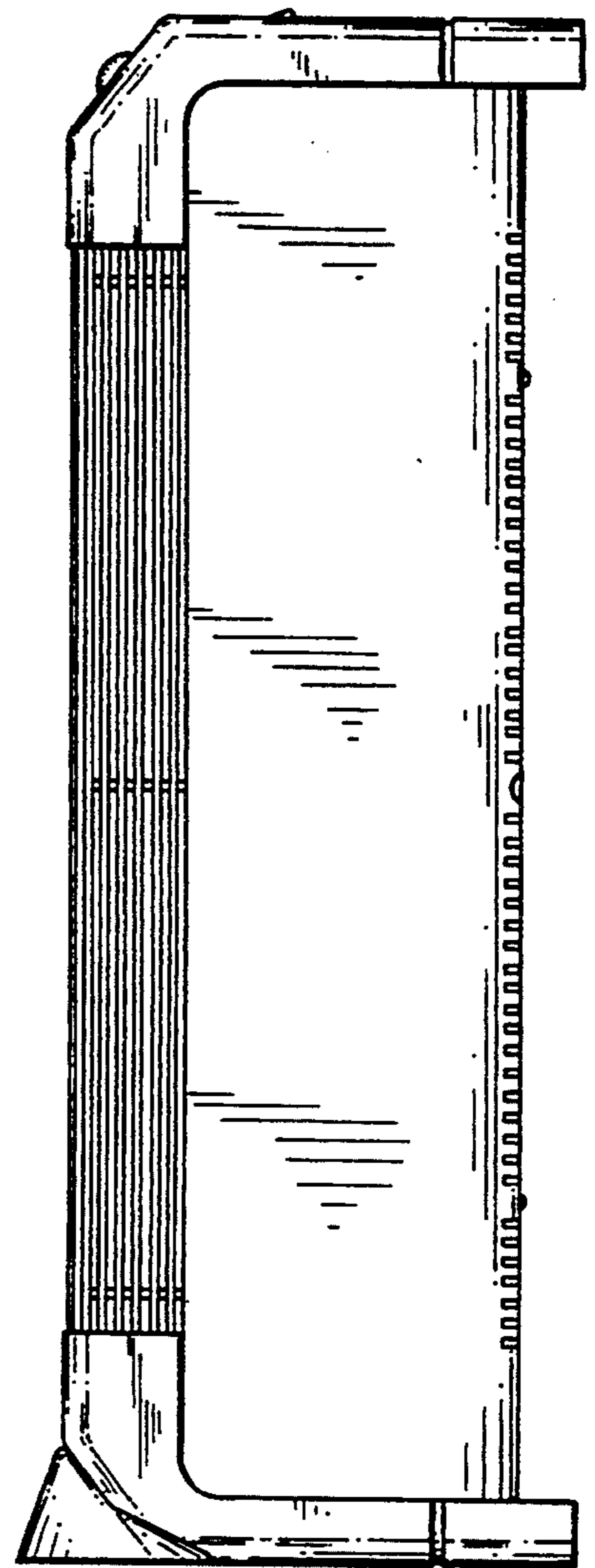


FIG. 9