



US00D353658S

United States Patent [19]

[11] Patent Number: **Des. 353,658**

McKeone et al.

[45] Date of Patent: **** Dec. 20, 1994**

[54] **BIDET**

D. 325,248 4/1992 McKeone D23/295

[75] Inventors: **William C. McKeone**, Sheboygan Falls; **Mary J. Reid**, Sheboygan, both of Wis.; **Anna-Pia K. Formgren**, Paris, France

OTHER PUBLICATIONS

Undated Simca ad showing a toilet and a bidet, admitted prior art.

[73] Assignee: **Kohler Co.**, Kohler, Wis.

Primary Examiner—James R. Largen
Attorney, Agent, or Firm—Quarles & Brady

[**] Term: **14 Years**

[57] CLAIM

[21] Appl. No.: **14,953**

The ornamental design for a bidet, as shown and described.

[22] Filed: **Nov. 5, 1993**

DESCRIPTION

[52] U.S. Cl. **D23/295**

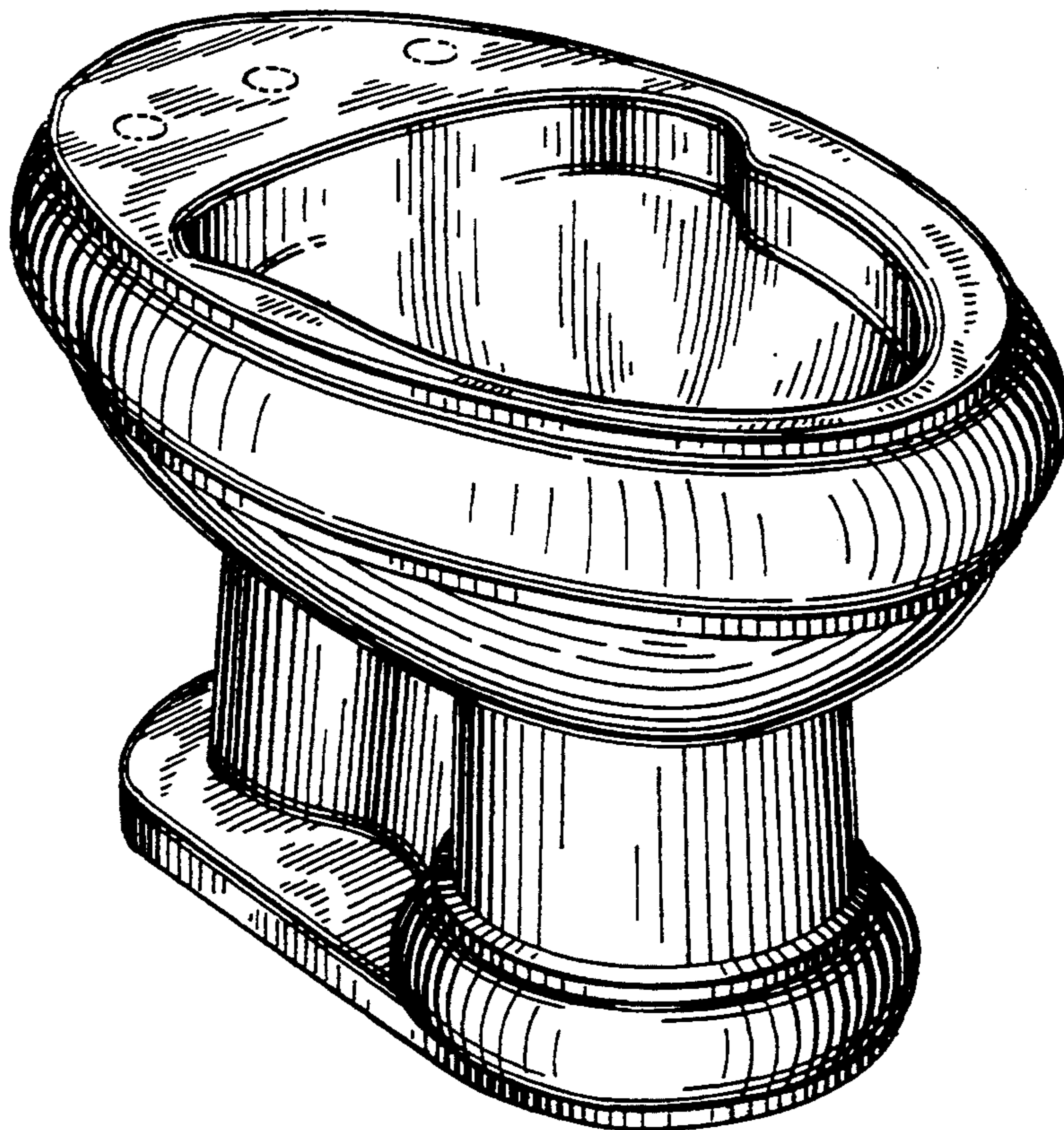
[58] Field of Search 4/300, 329-332, 4/353-354, 363-365, , 420.1-420.5, 443-448; D23/295-301

FIG. 1 is a perspective view taken from the top, front and left side of a bidet embodying our new design; FIG. 2 is a top plan view thereof; FIG. 3 is a left side elevational view thereof, the right side being a mirror image of the left side; FIG. 4 is a bottom plan view thereof; FIG. 5 is a front elevational view thereof; FIG. 6 is a rear elevational view thereof; FIG. 7 is a perspective view taken from the top, front and left side of a second embodiment thereof; and, FIG. 8 is a left side elevational view of FIG. 7, the right side being a mirror image of the left side. The broken line representations of holes in FIGS. 1, 2 and 7 are for the purpose of illustration only and form no part of the claimed design.

[56] References Cited

U.S. PATENT DOCUMENTS

D. 261,797	11/1981	Kaiser	D23/295
D. 268,779	4/1983	Doman	D23/295
D. 272,382	1/1984	Bengtson	D23/295
D. 274,747	7/1984	Kaizer	D23/295
D. 280,758	9/1985	Platner	D23/295
D. 288,587	3/1987	Stairs, Jr.	D23/295
D. 288,588	3/1987	Stairs, Jr.	D23/295
D. 289,917	5/1987	Hardion	D23/295
D. 310,559	9/1990	Cors	D23/295



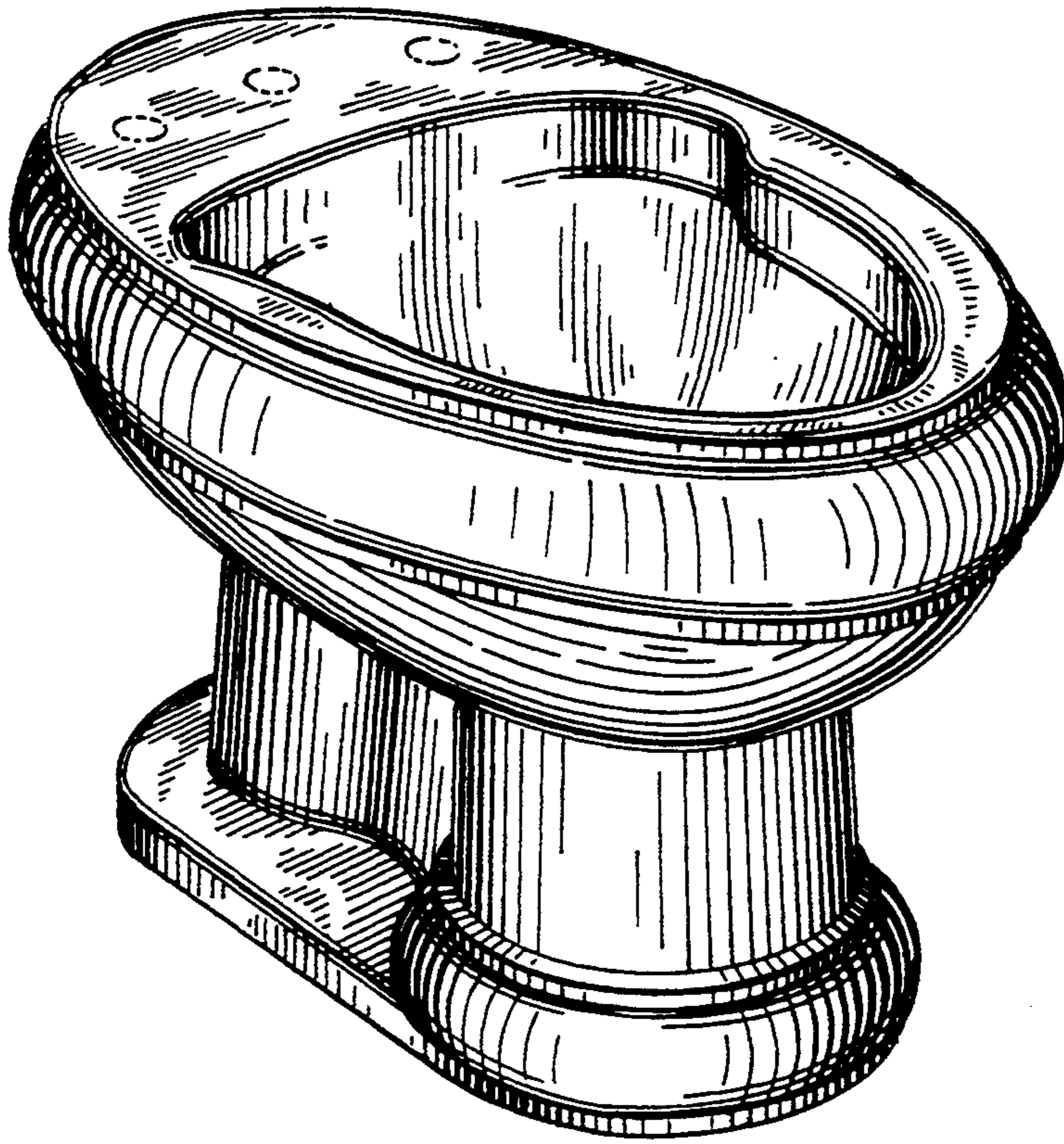


FIG. 1

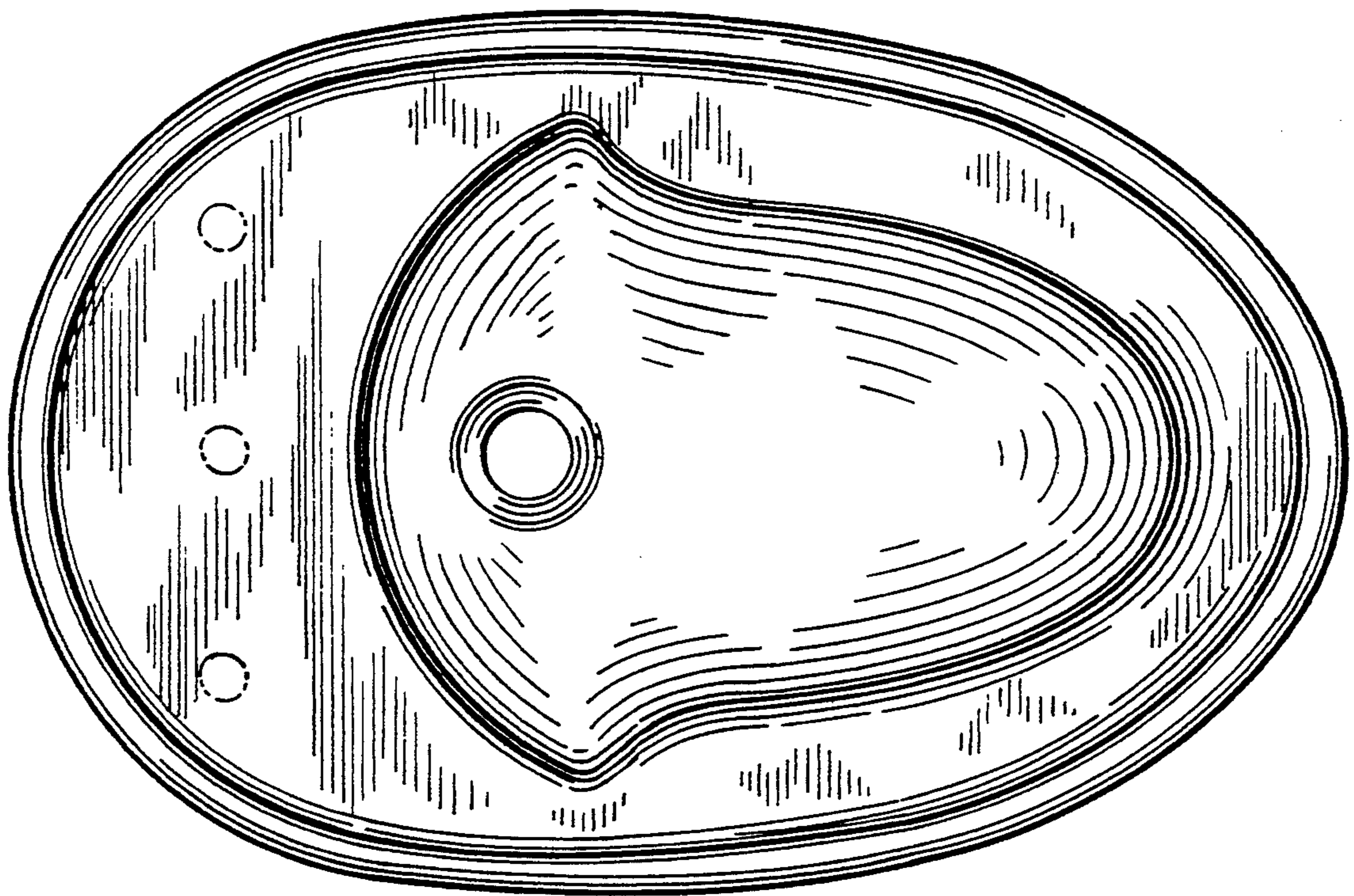


FIG. 2

FIG. 3

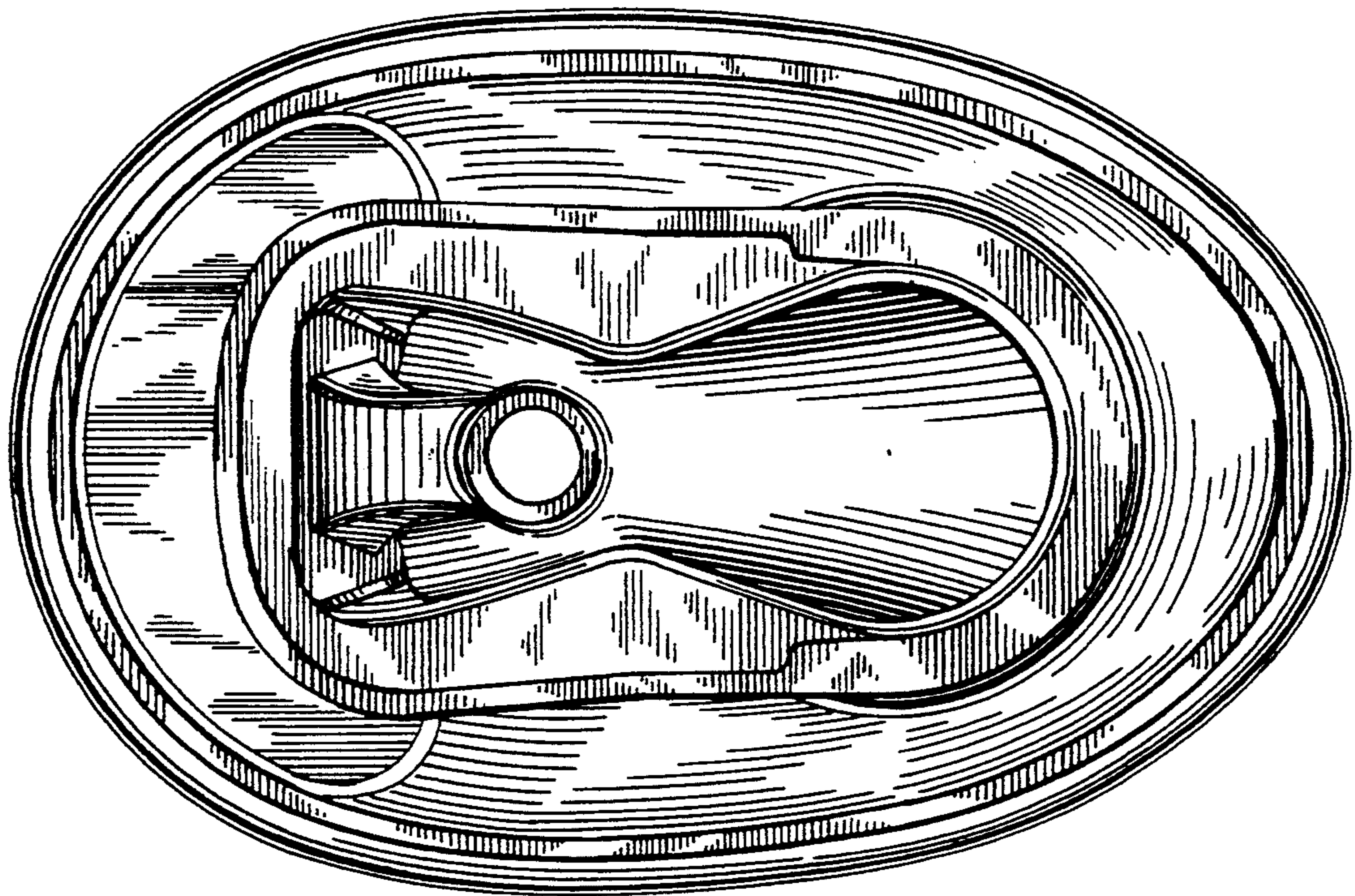
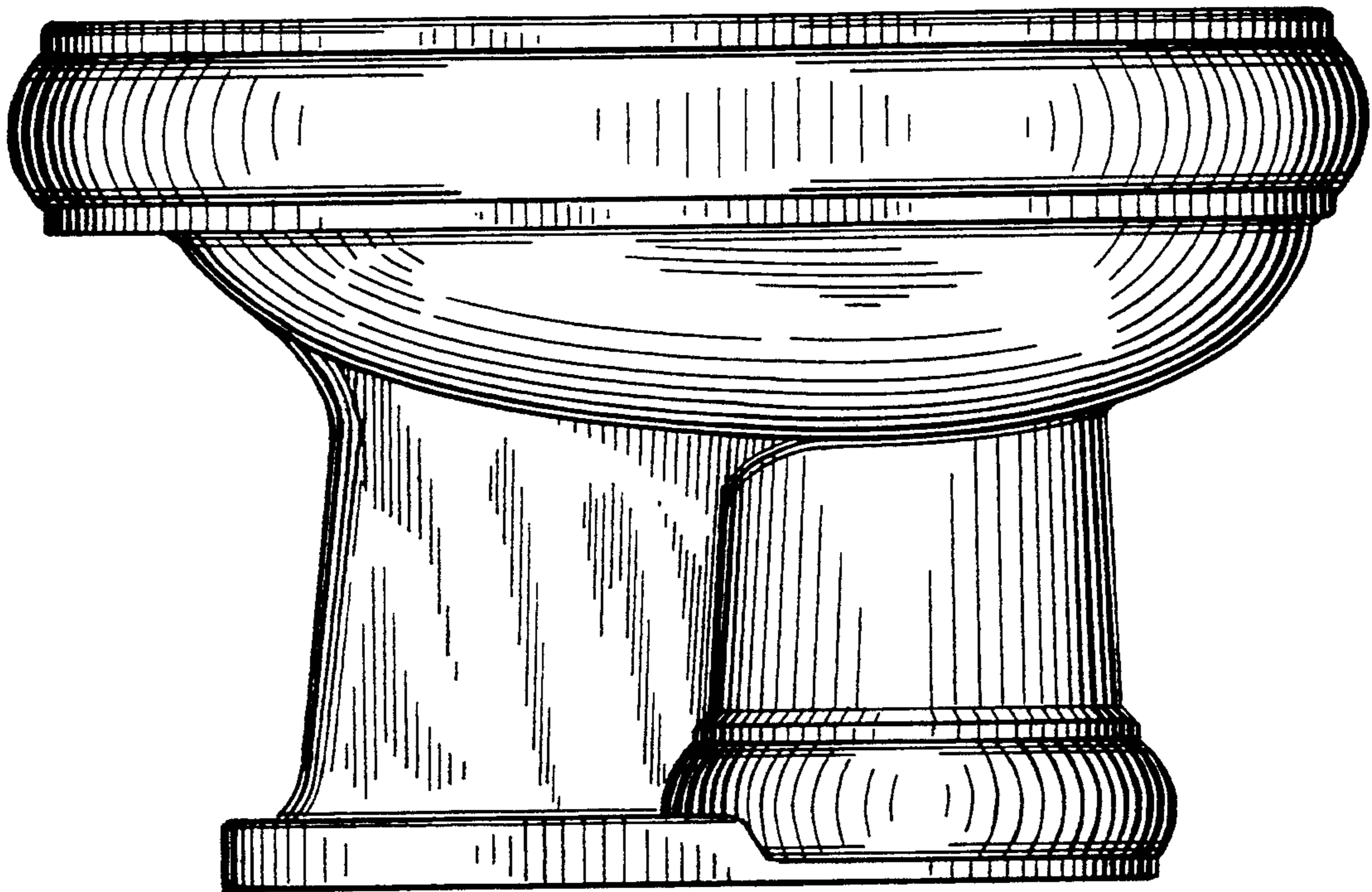


FIG. 4

FIG. 5

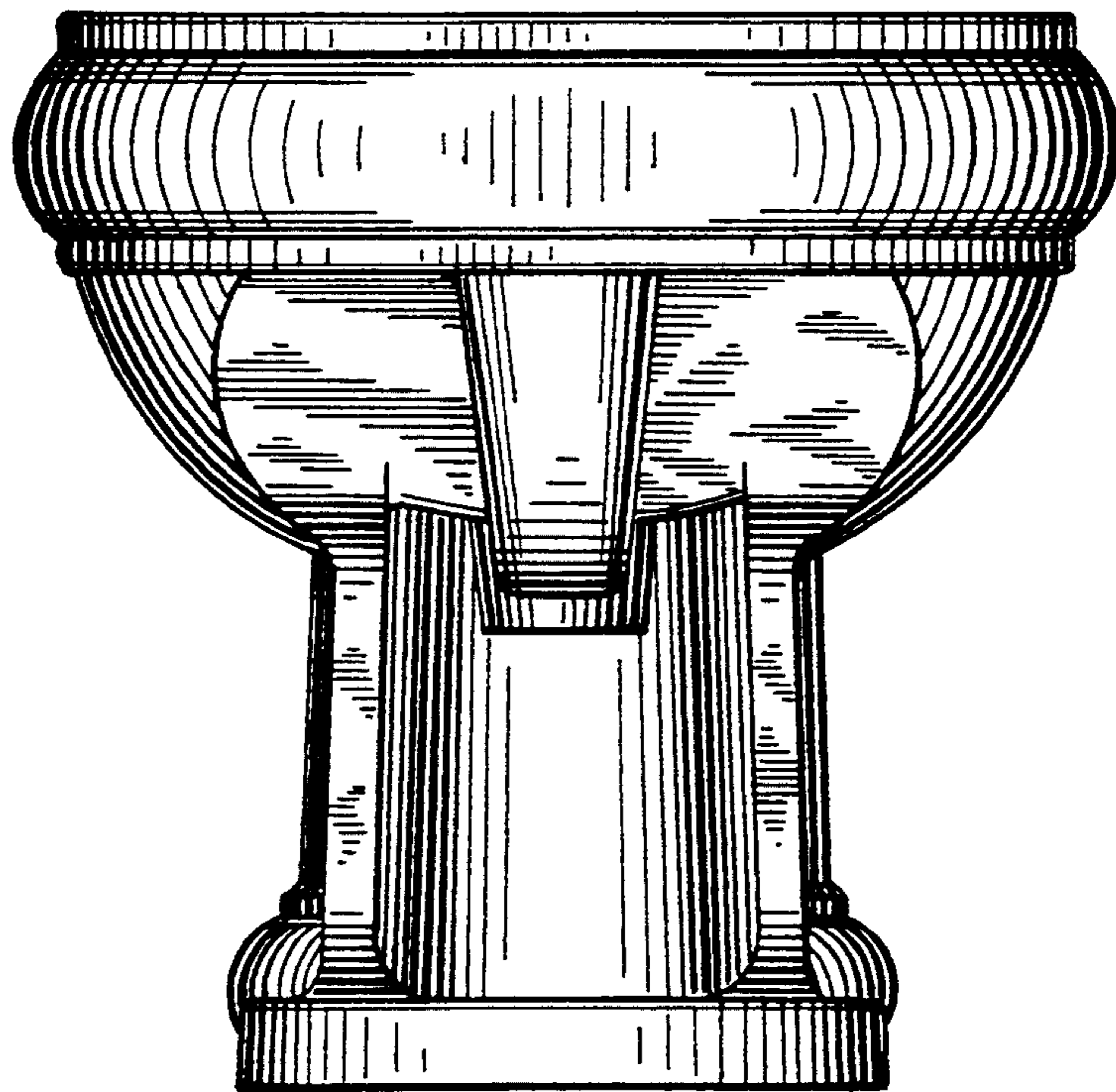
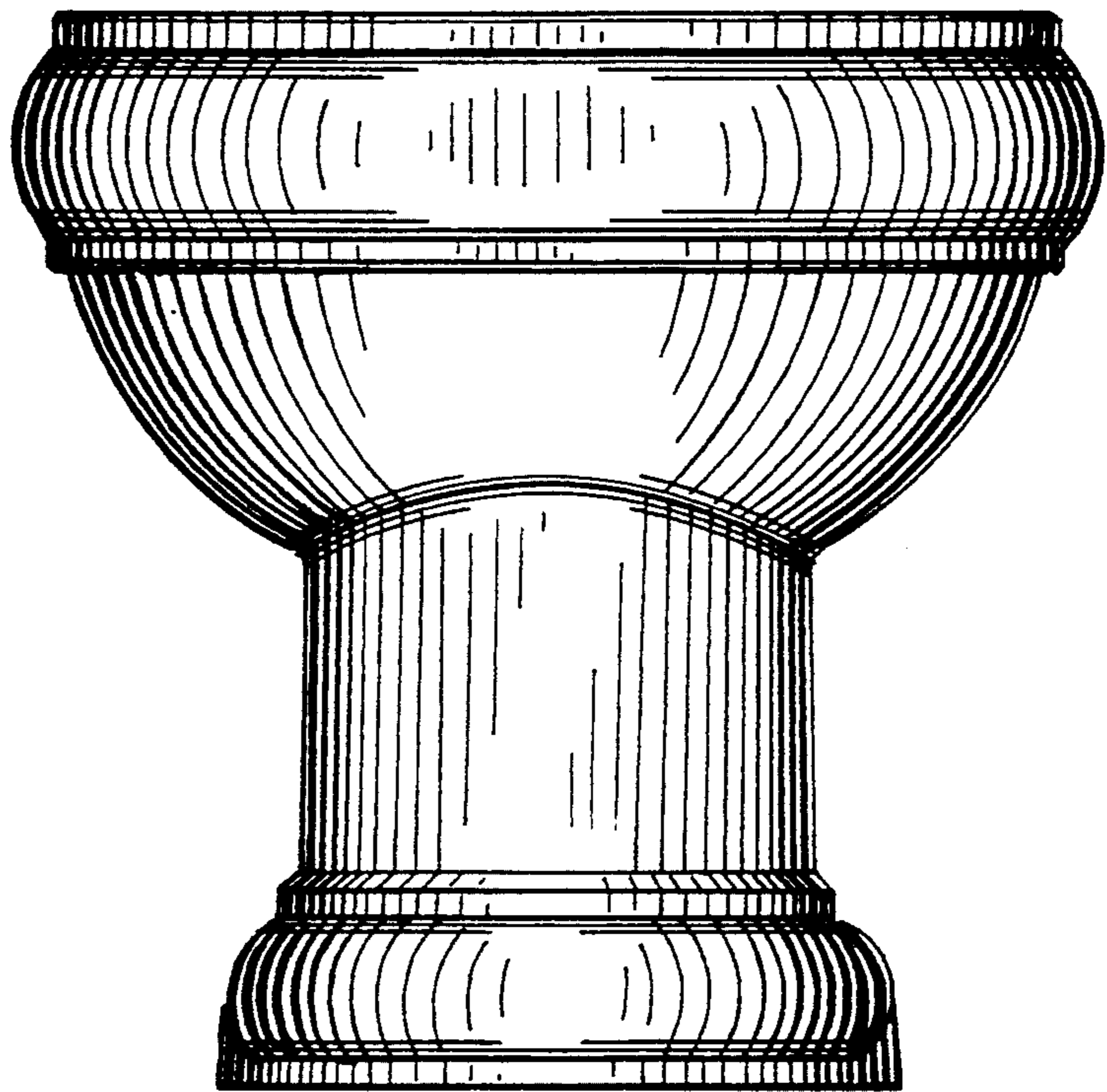


FIG. 6

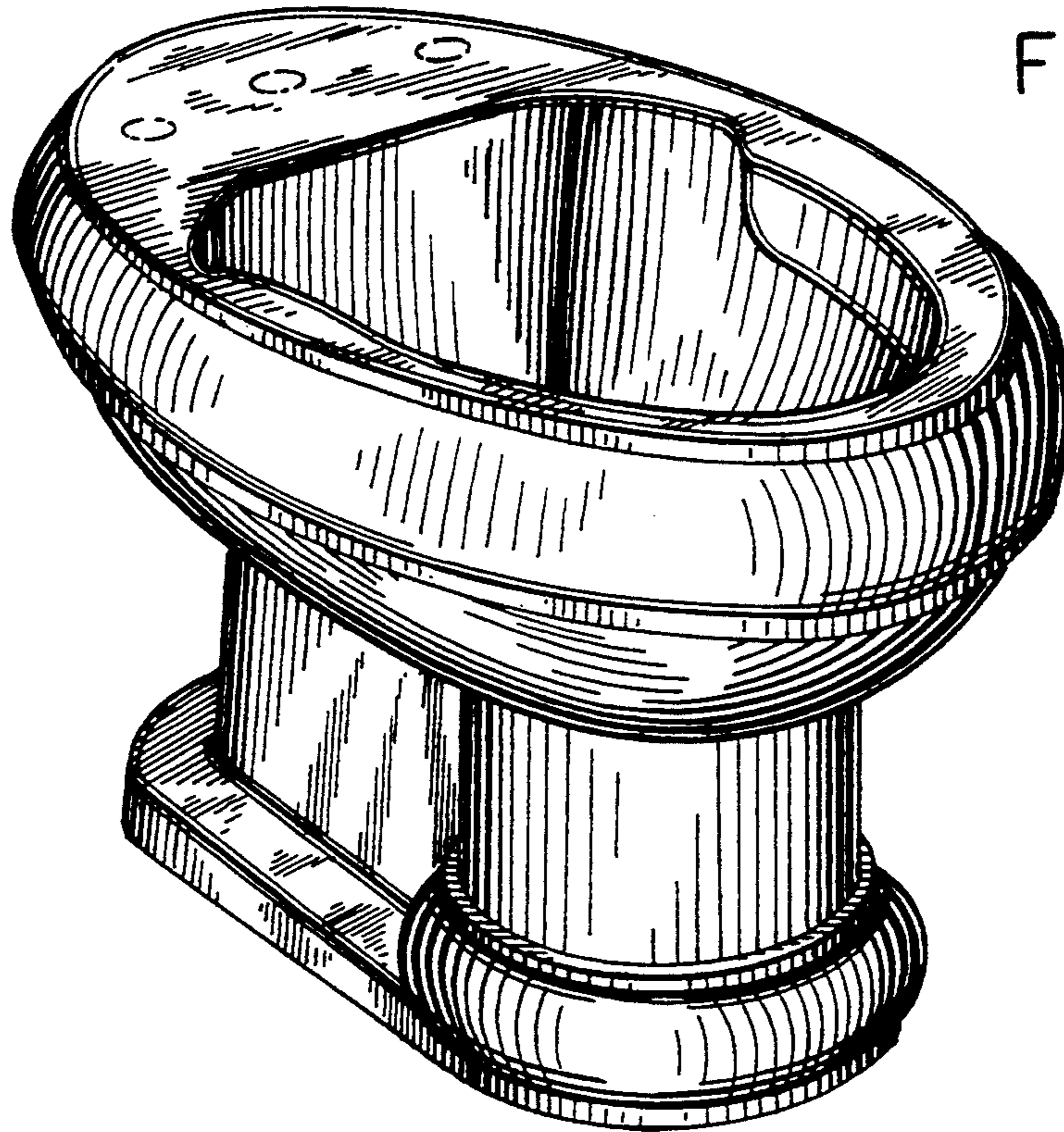


FIG. 7

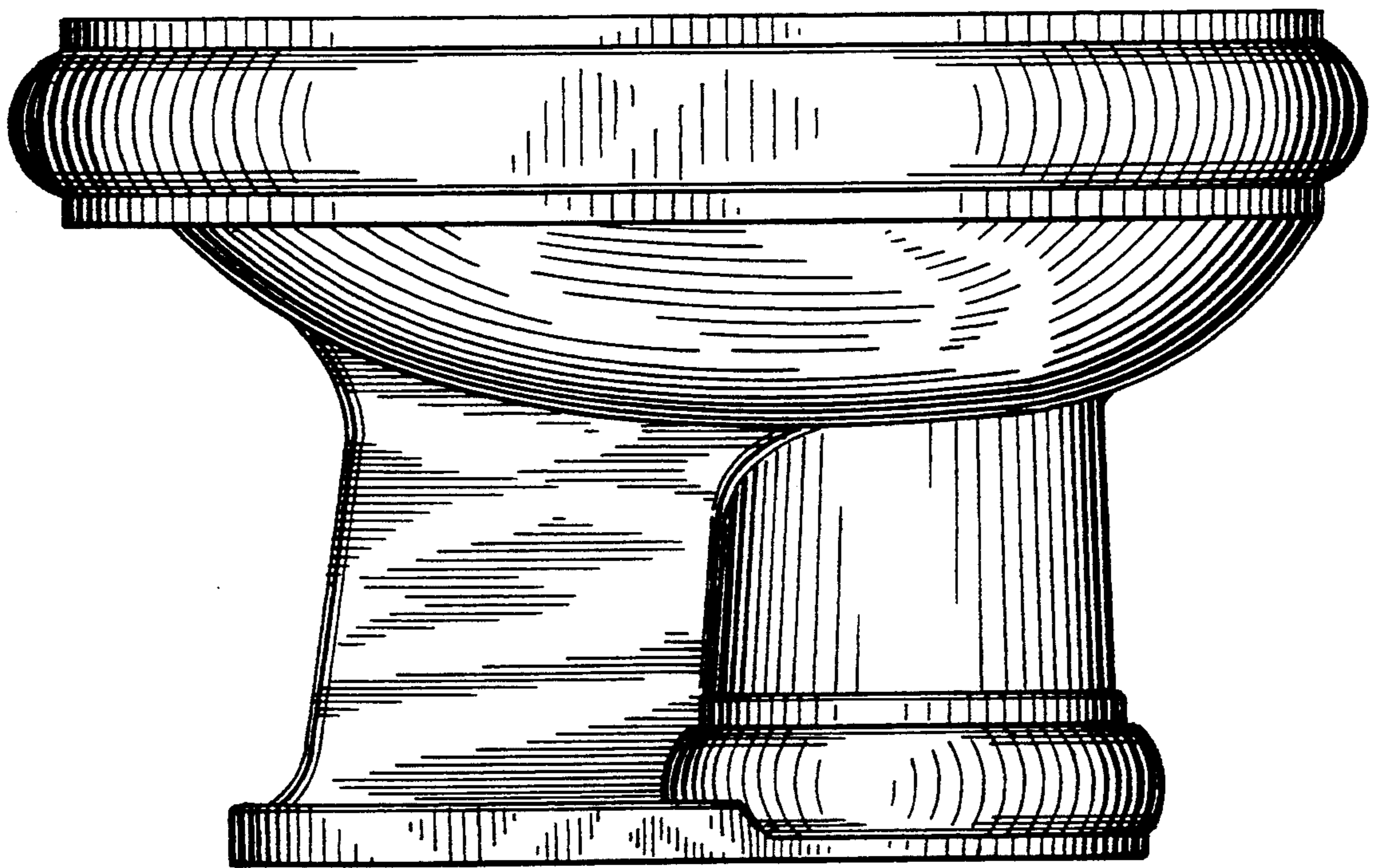


FIG. 8