



US00D353655S

United States Patent [19]

[11] Patent Number: **Des. 353,655**

Quinlan

[45] Date of Patent: **** Dec. 20, 1994**

[54] **DUAL RECREATIONAL VEHICLE SEWER HOOK-UP ADAPTER**

[56] **References Cited**

U.S. PATENT DOCUMENTS

4,650,224	3/1987	Smith	137/899 X
4,789,000	12/1988	Aslanian	251/309 X
5,033,202	7/1991	Robbins	248/83
5,247,974	9/1993	Sargent et al.	137/899 X

[76] Inventor: **Cynthia A. Quinlan**, 4297 Adelphi Ave., Las Vegas, Nev. 89120

Primary Examiner—A. Hugo Word
Assistant Examiner—Eric Watterson
Attorney, Agent, or Firm—H. Jay Spiegel

[**] Term: **14 Years**

[57] CLAIM

[21] Appl. No.: **18,209**

The ornamental design for a dual recreational vehicle sewer hook-up adapter, as shown and described.

[22] Filed: **Feb. 1, 1994**

DESCRIPTION

[52] U.S. Cl. **D23/262**

FIG. 1 shows a perspective view of the present invention the opposite side being a mirror image thereof; FIG. 2 shows a top view of the present invention; and, FIG. 3 shows a bottom view of the present invention.

[58] Field of Search 285/150, 901; 137/615, 137/899.1, 355.6; 248/49, 83, 87; D23/259-269; D12/82, 100, 103, 106

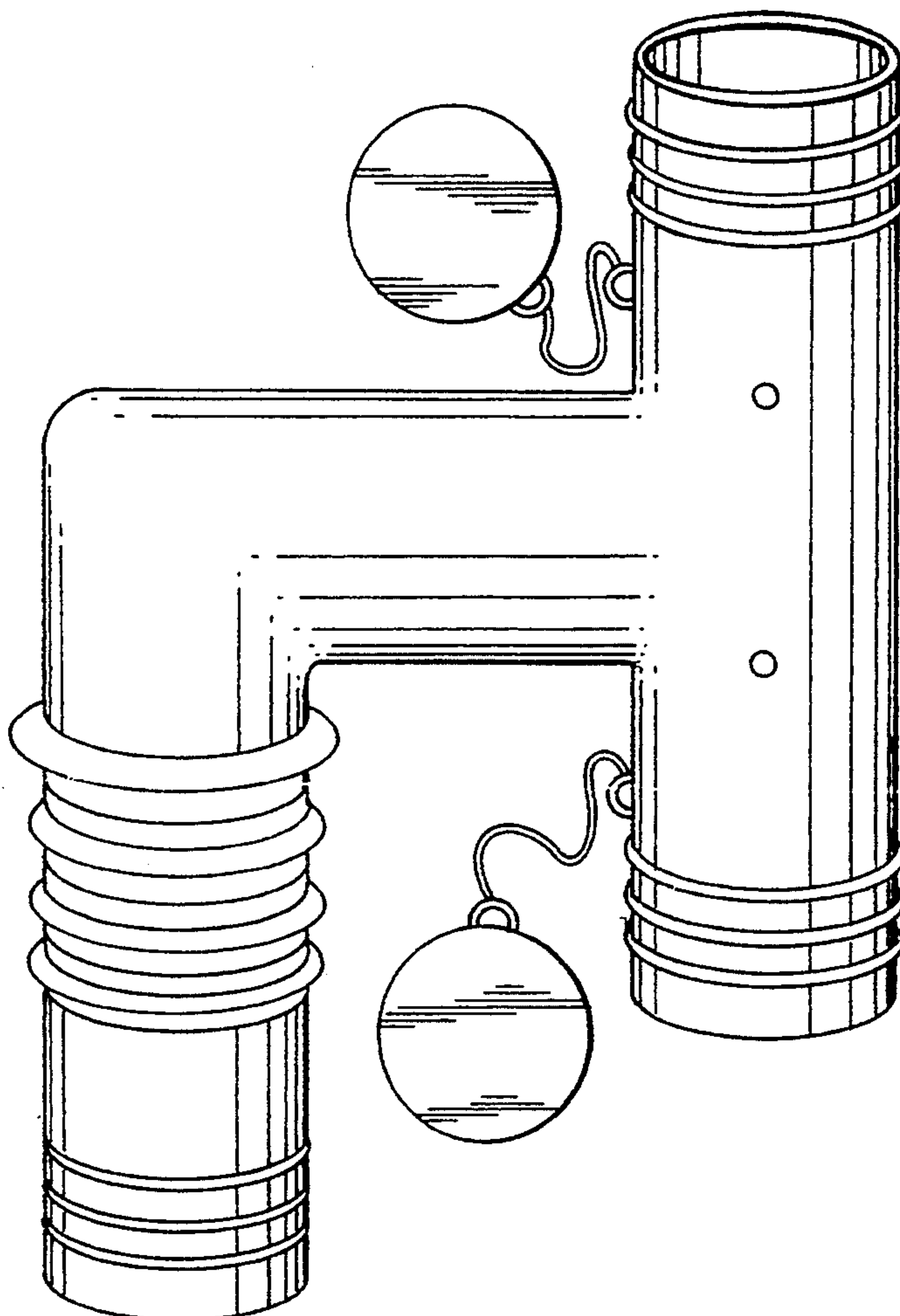


FIG. 1

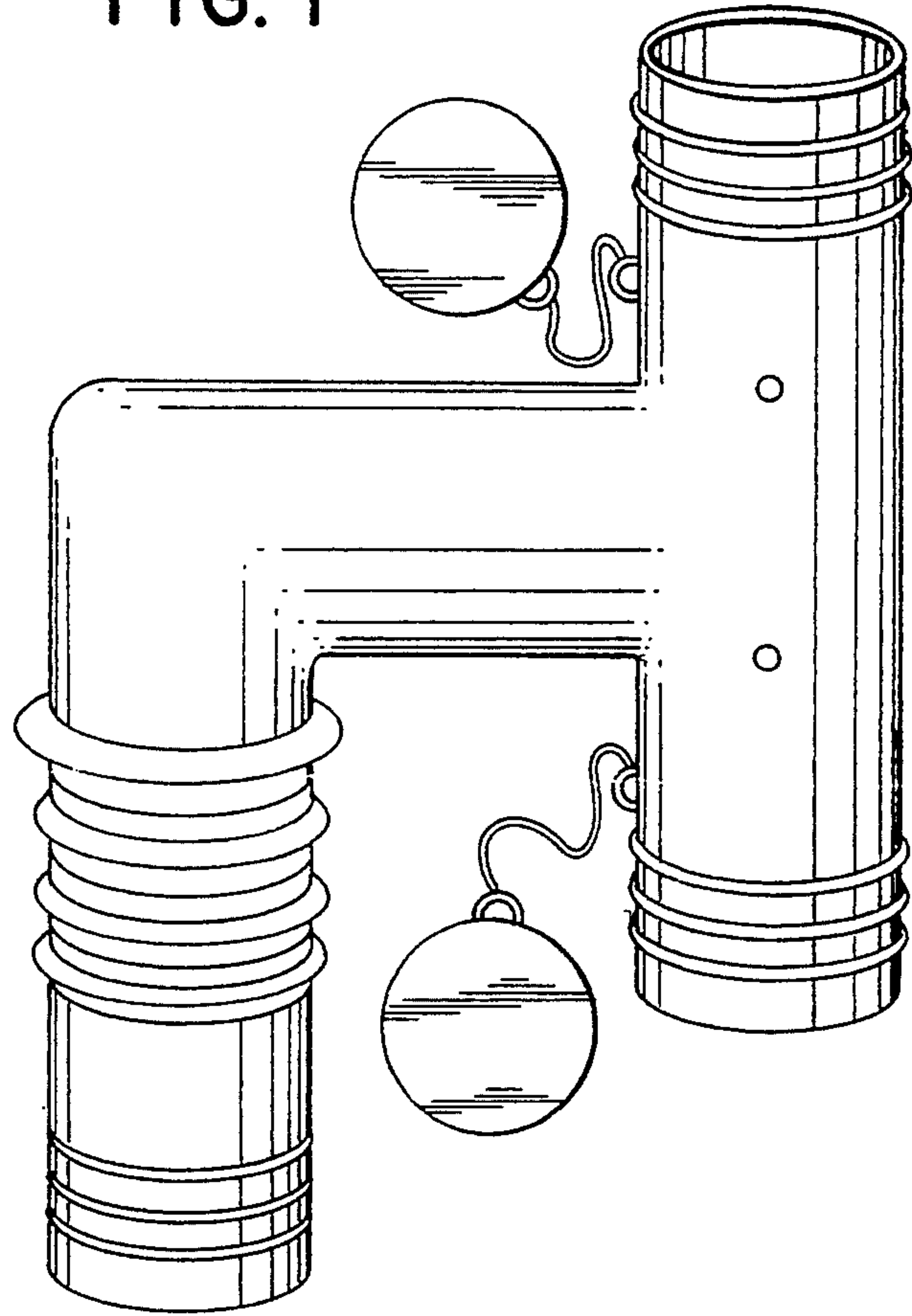


FIG. 2

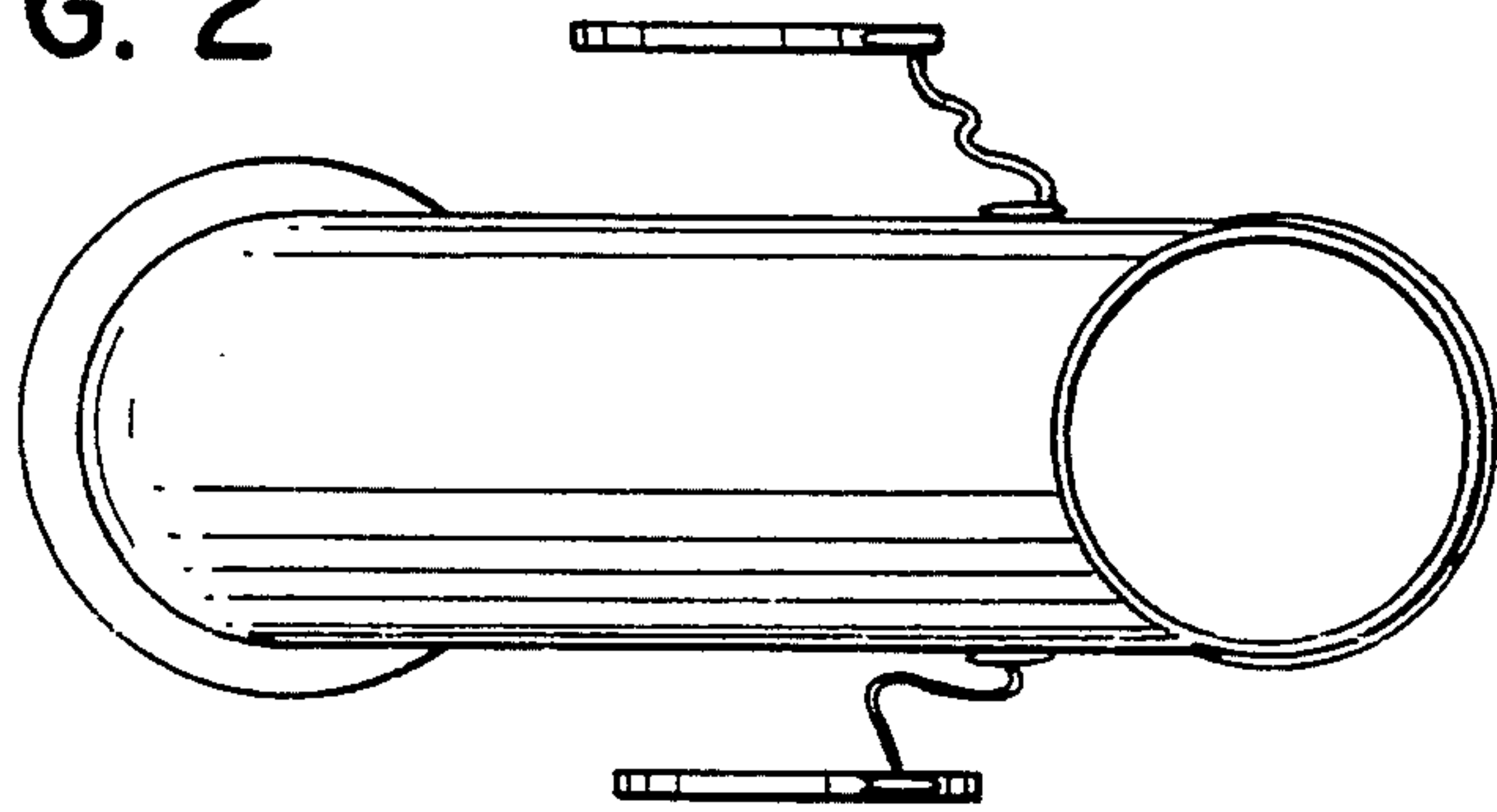


FIG. 3

