



US00D353654S

United States Patent [19]
Cox

[11] **Patent Number: Des. 353,654**
[45] **Date of Patent: ** Dec. 20, 1994**

[54] **PLUMBING FITTING INCORPORATING VENTING MEANS**

[76] **Inventor: William M. Cox, 140 Plum Tree, St. Peters, Mo. 63376**

[**] **Term: 14 Years**

[21] **Appl. No.: 9,523**

[22] **Filed: Jun. 16, 1993**

[52] **U.S. Cl. D23/263**

[58] **Field of Search 285/150, 153, 154; D23/259-269**

[56] **References Cited**

U.S. PATENT DOCUMENTS

3,425,632	2/1969	Stout	285/150	X
3,630,547	2/1970	Hartshorn, Jr.	285/150	
4,467,136	8/1984	Wium	285/150	X

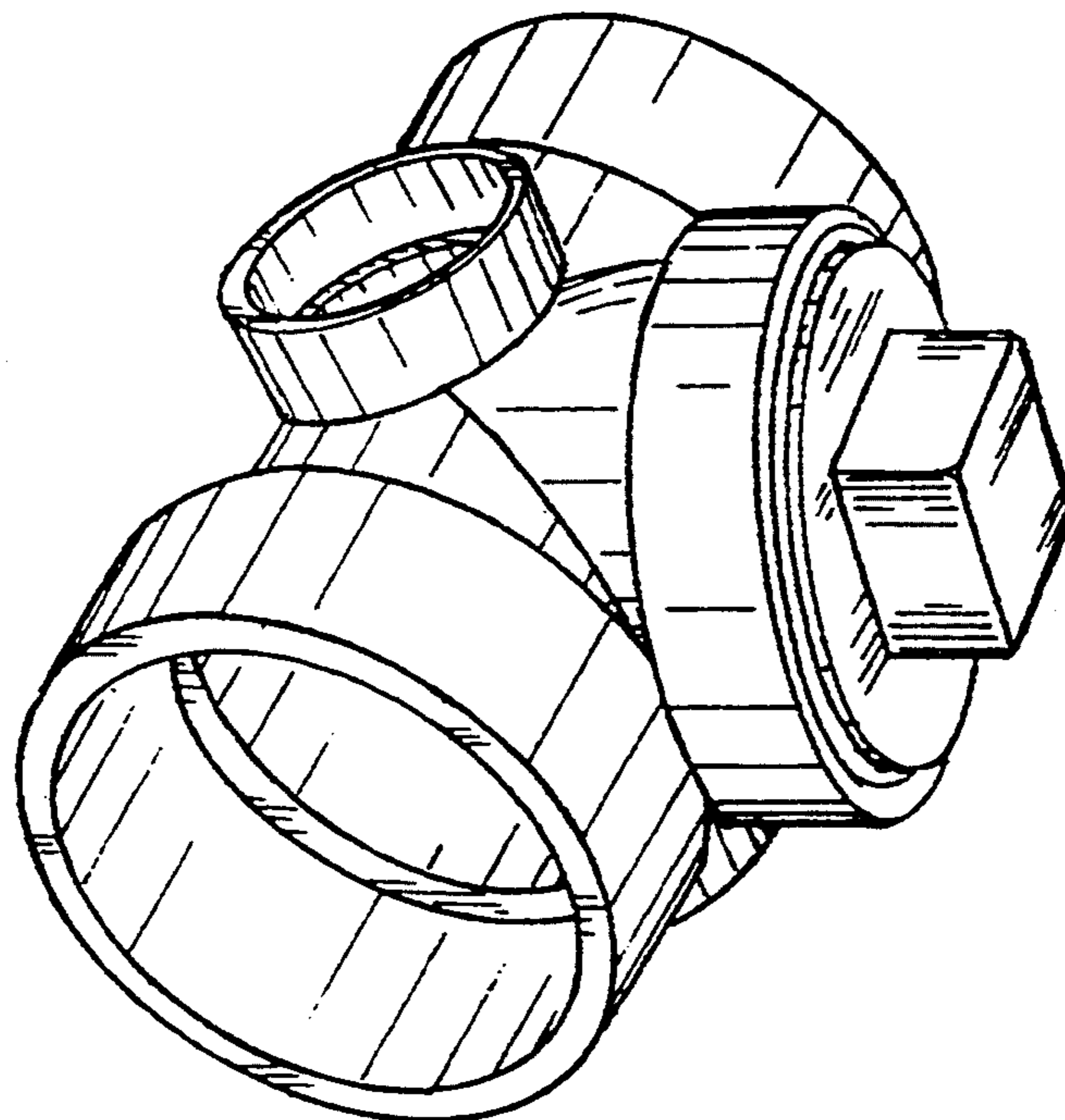
Primary Examiner—A. Hugo Word
Assistant Examiner—Eric Watterson
Attorney, Agent, or Firm—Paul M. Denk

[57] **CLAIM**

The ornamental design for the plumbing fitting incorporating venting means, as shown and described.

DESCRIPTION

FIG. 1 is an isometric view of the plumbing fitting incorporating venting means;
FIG. 2 is a front view thereof;
FIG. 3 is a top view, the bottom view being a mirror image thereof;
FIG. 4 is a side view, the opposite side view being a mirror image thereof;
FIG. 5 is a back view;
FIG. 6 is an isometric view of a modified plumbing fitting incorporating venting means having a vent fitting provided to one side;
FIG. 7 is a front view thereof;
FIG. 8 is a top view, the bottom view being a mirror image thereof;
FIG. 9 is a left side view;
FIG. 10 is a right side view;
FIG. 11 is a back view; and,
FIG. 12 is a top view of a modified plumbing fitting incorporating venting means having a vent fitting connecting to the backside of the plumbing fitting.



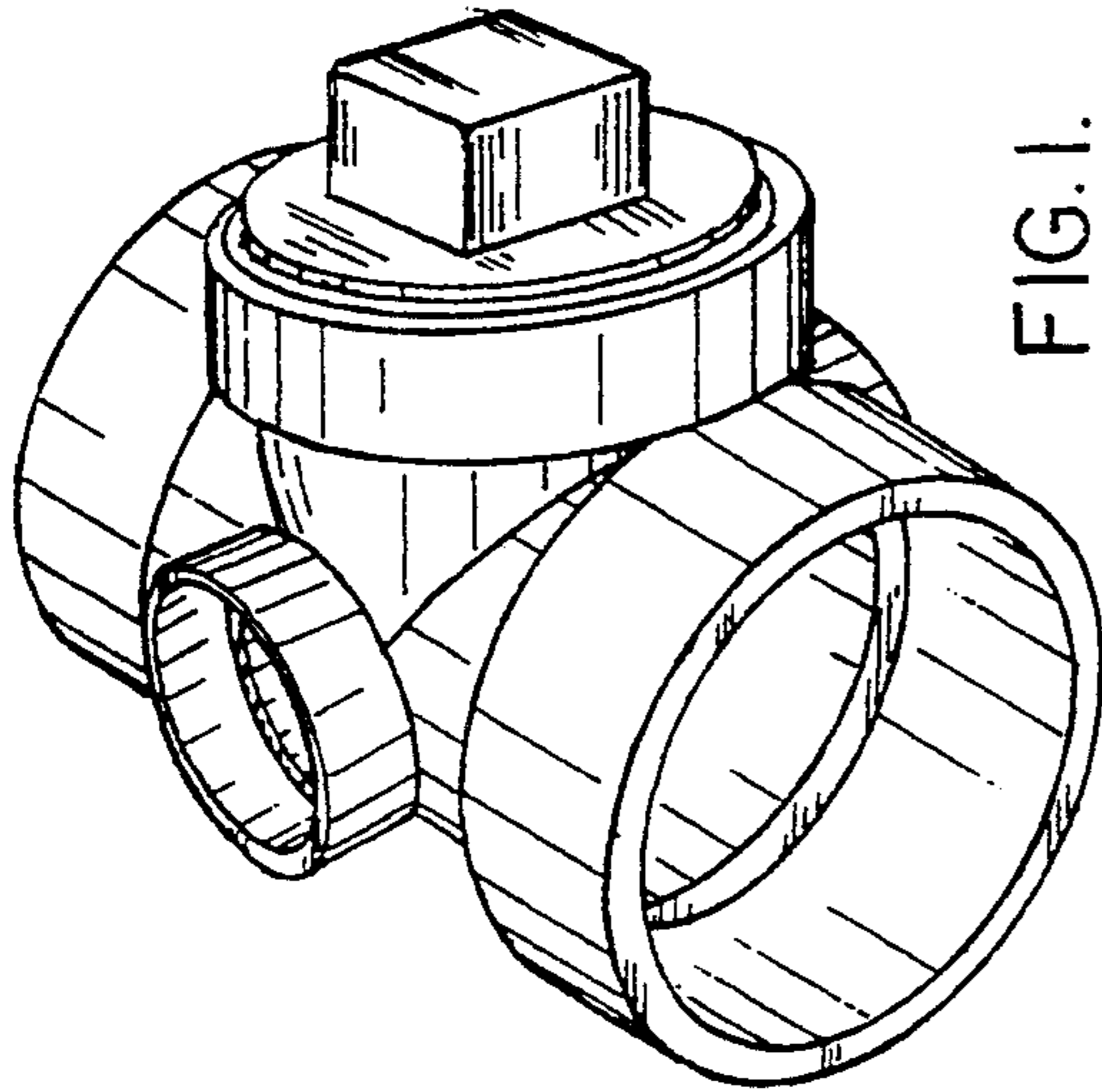


FIG. 1.

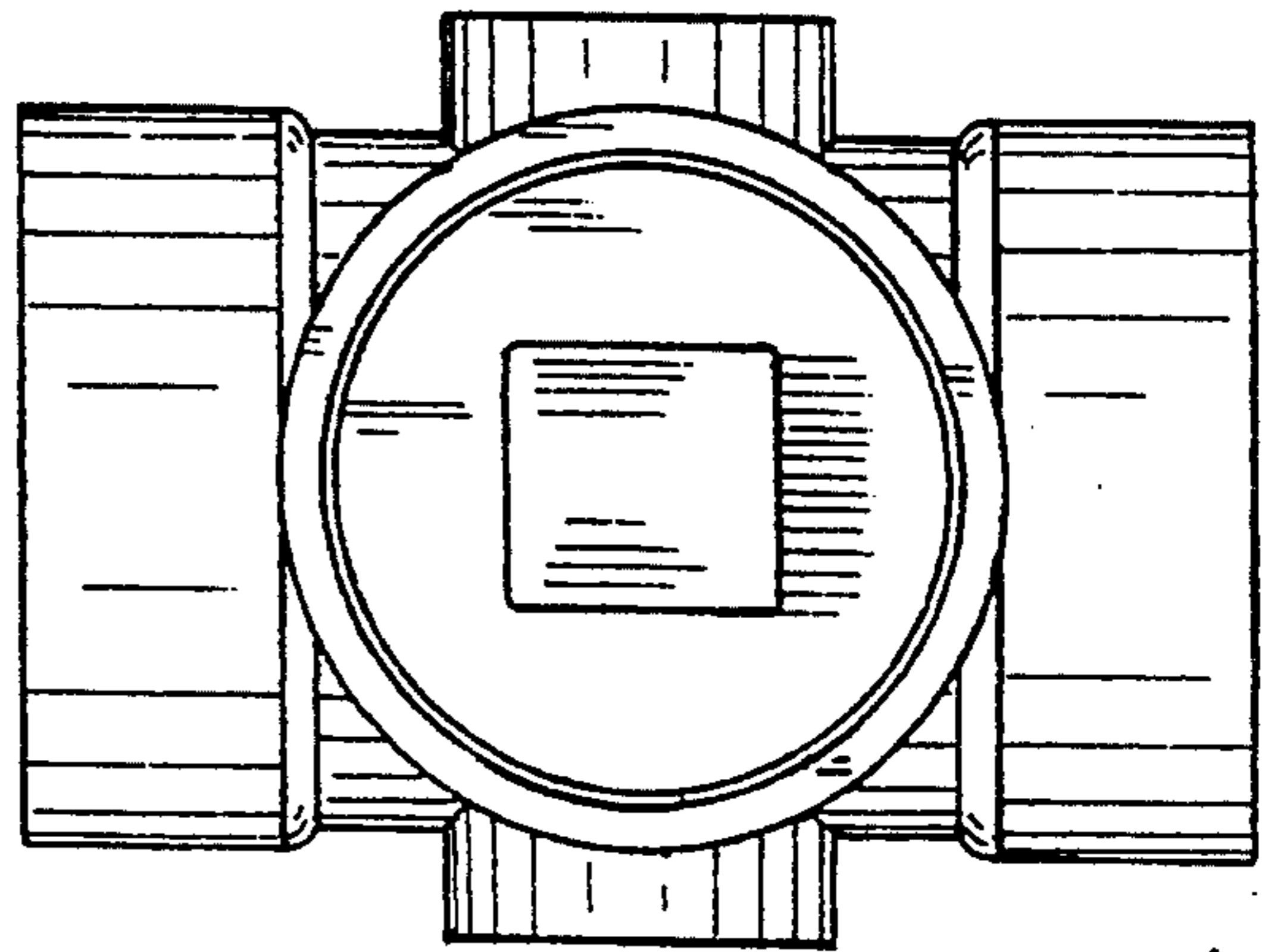


FIG. 2.

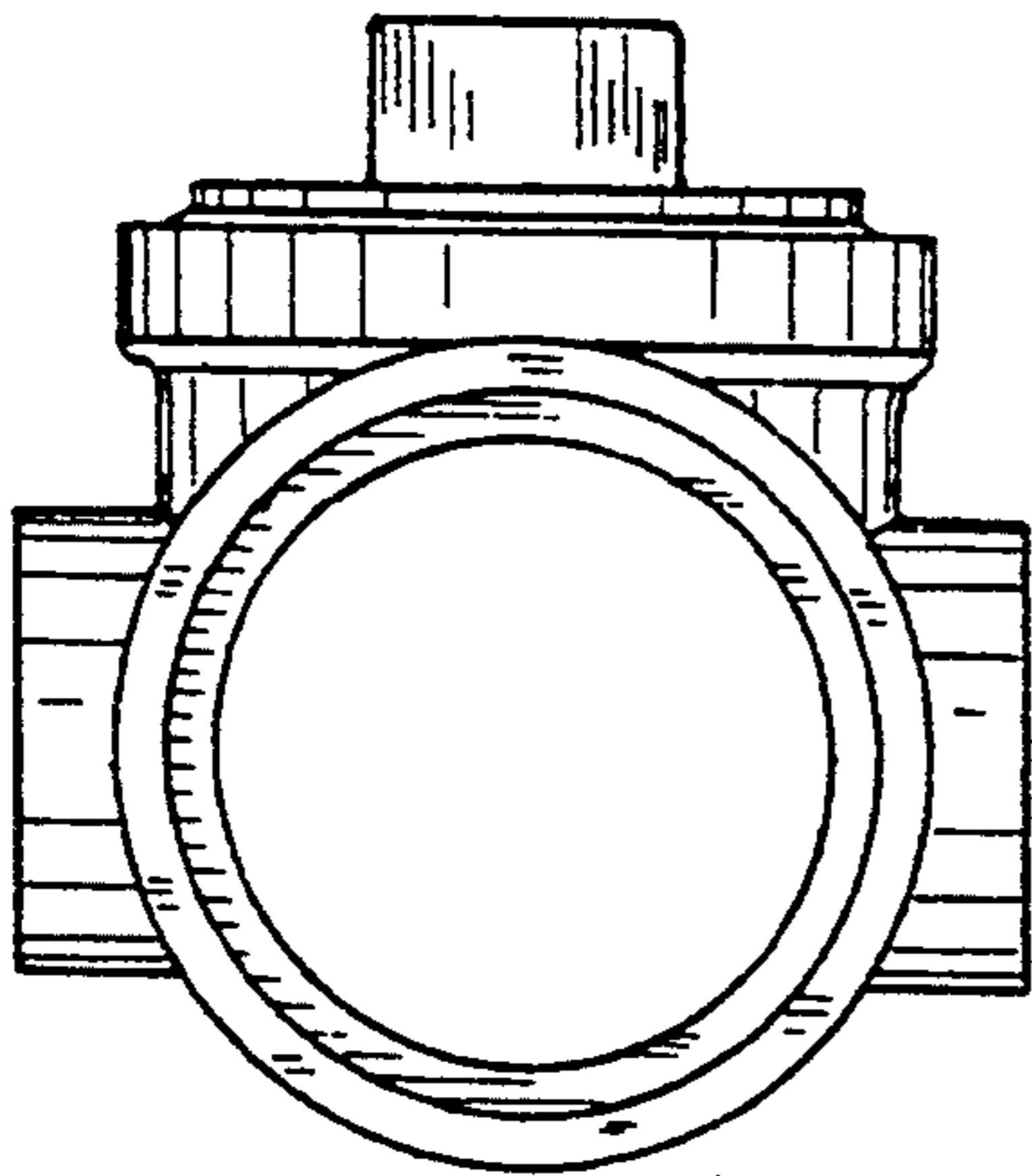


FIG. 3.

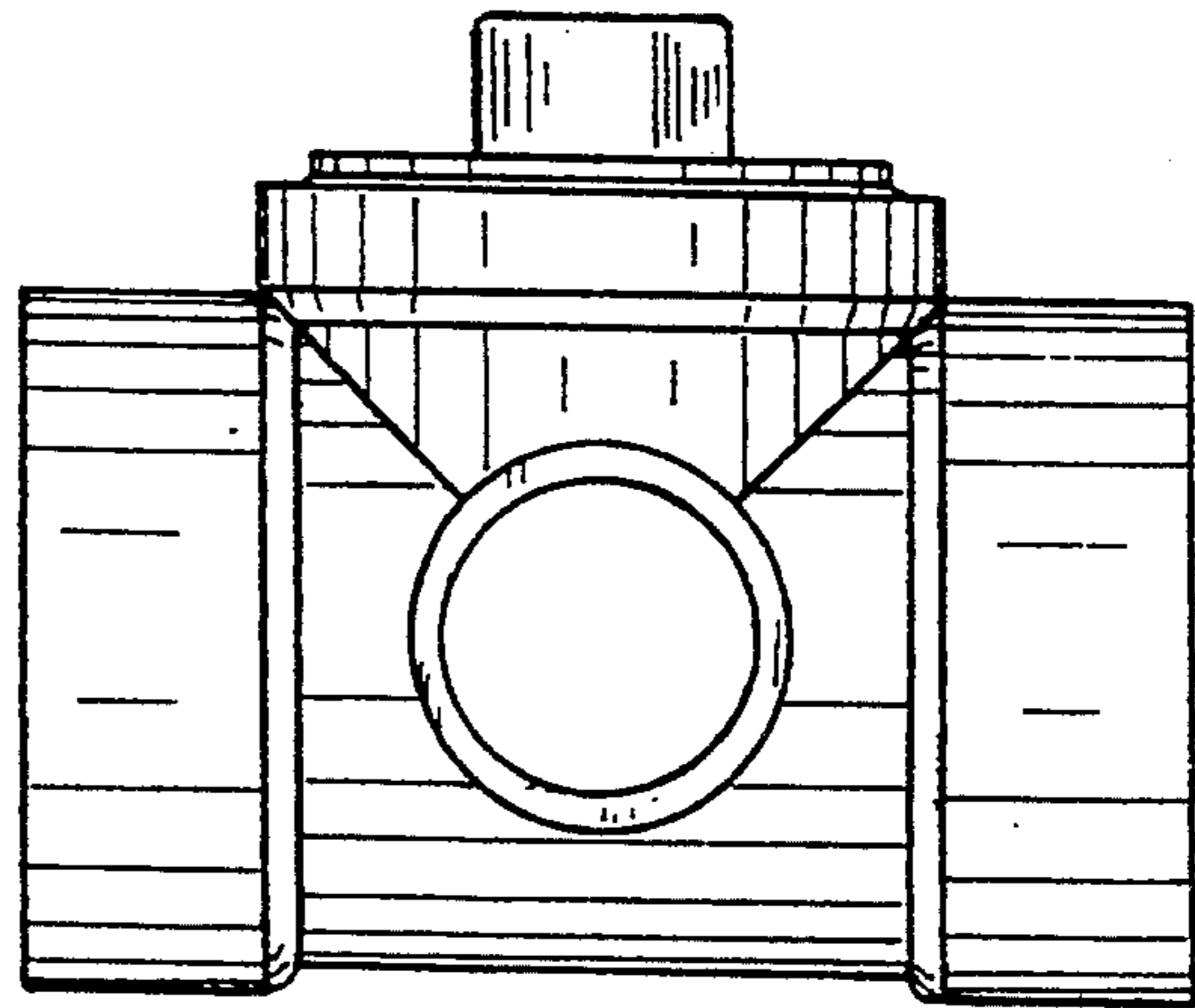


FIG. 4.

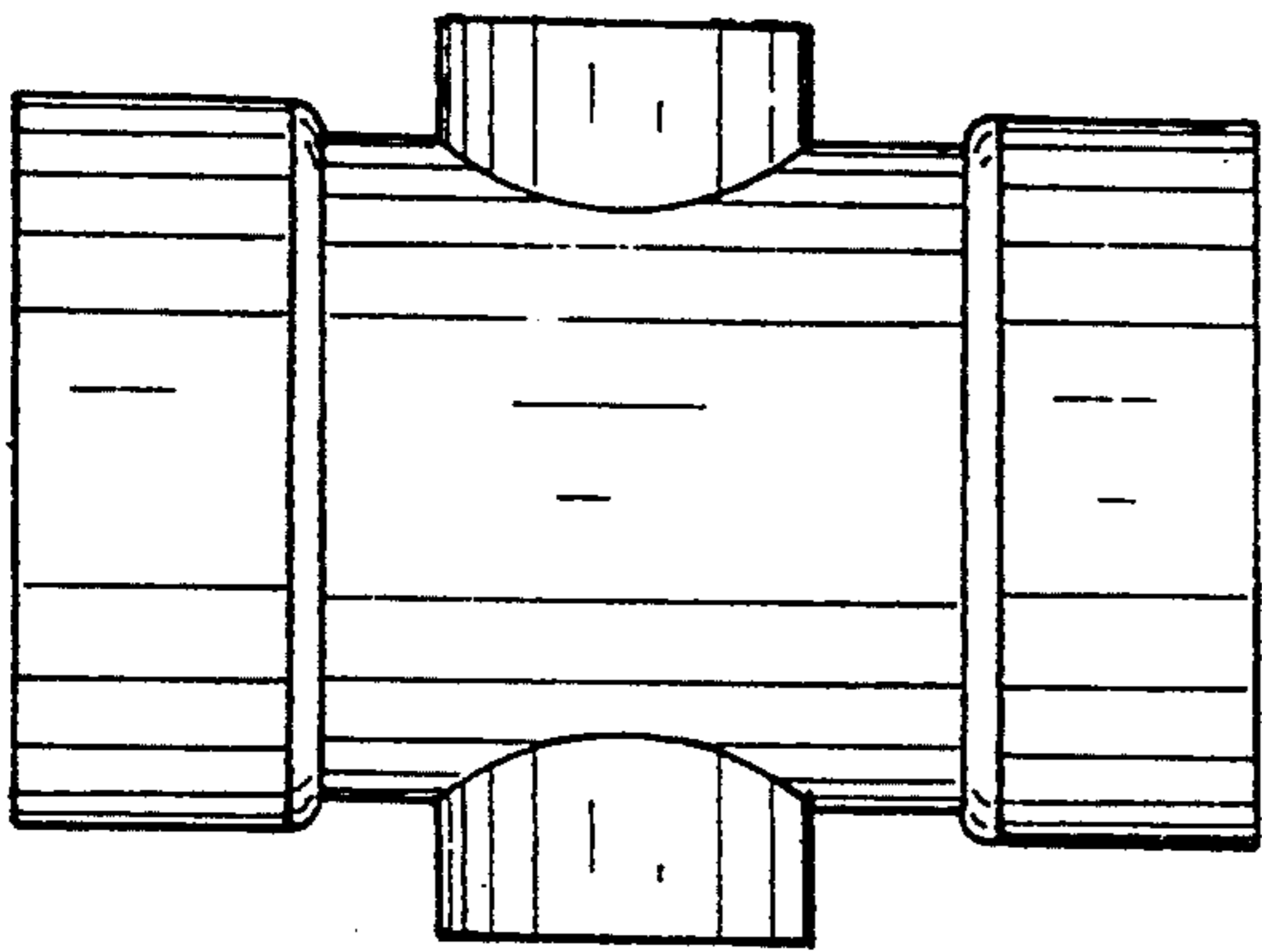


FIG. 5.

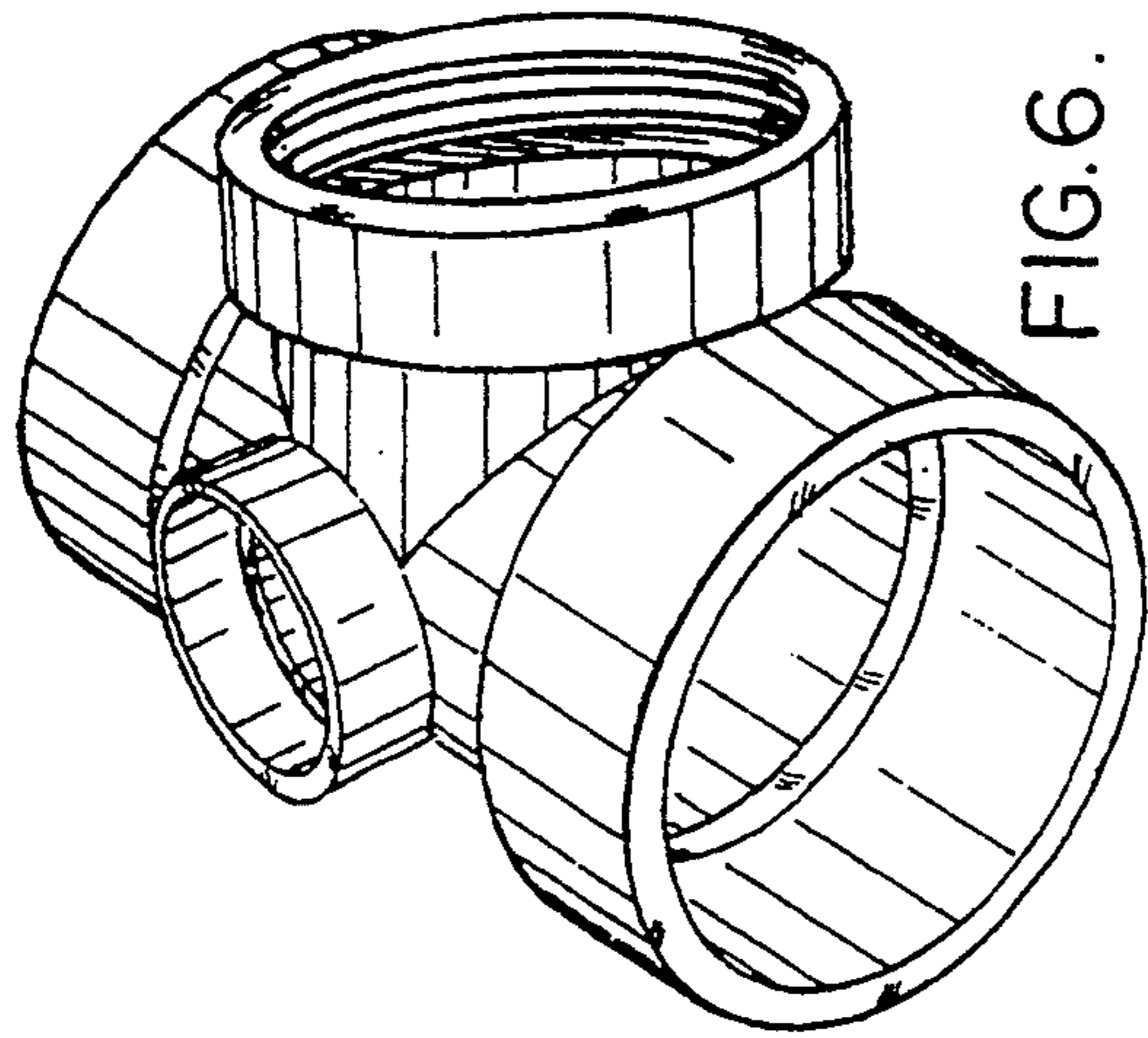


FIG. 6.

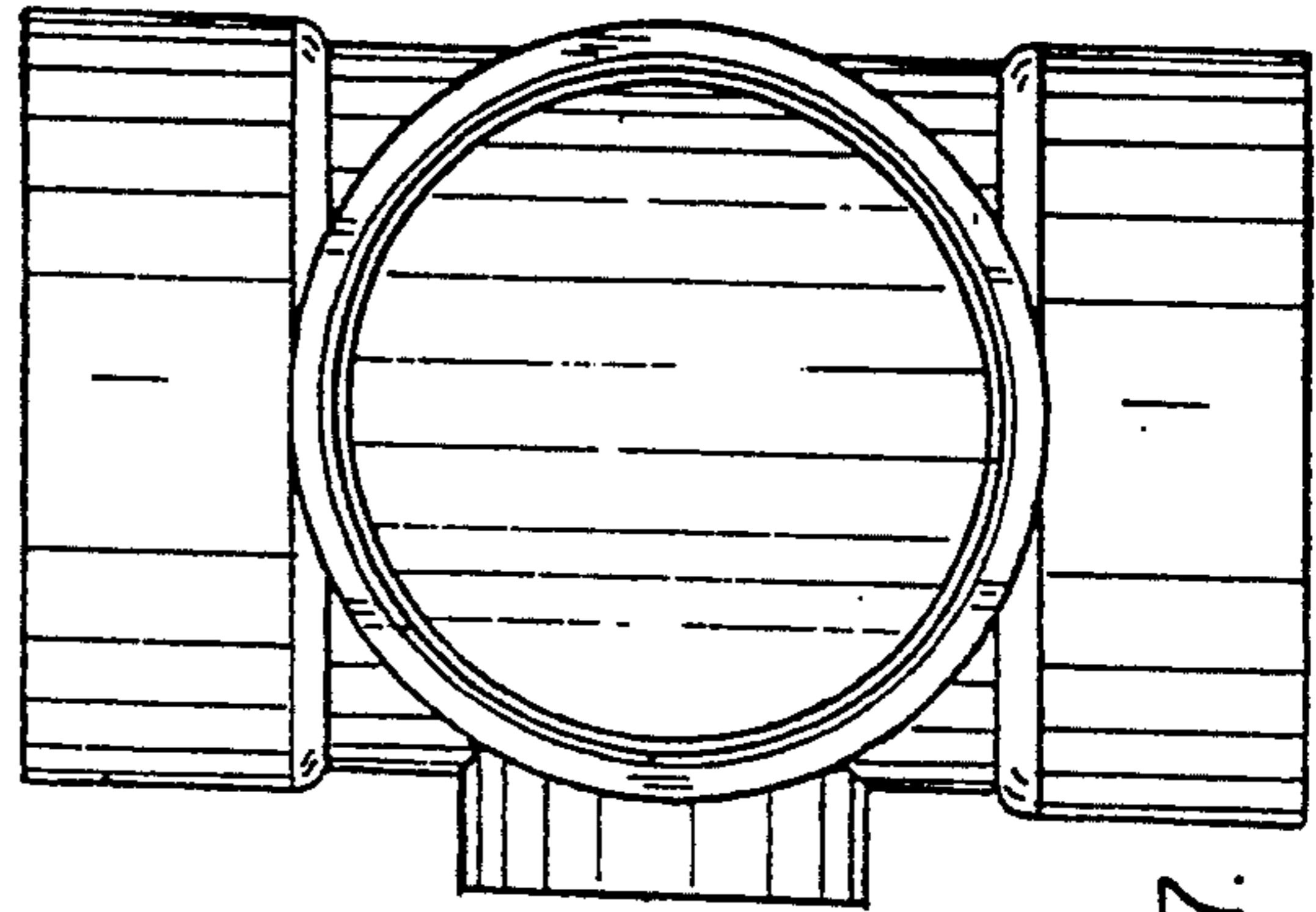


FIG. 7.

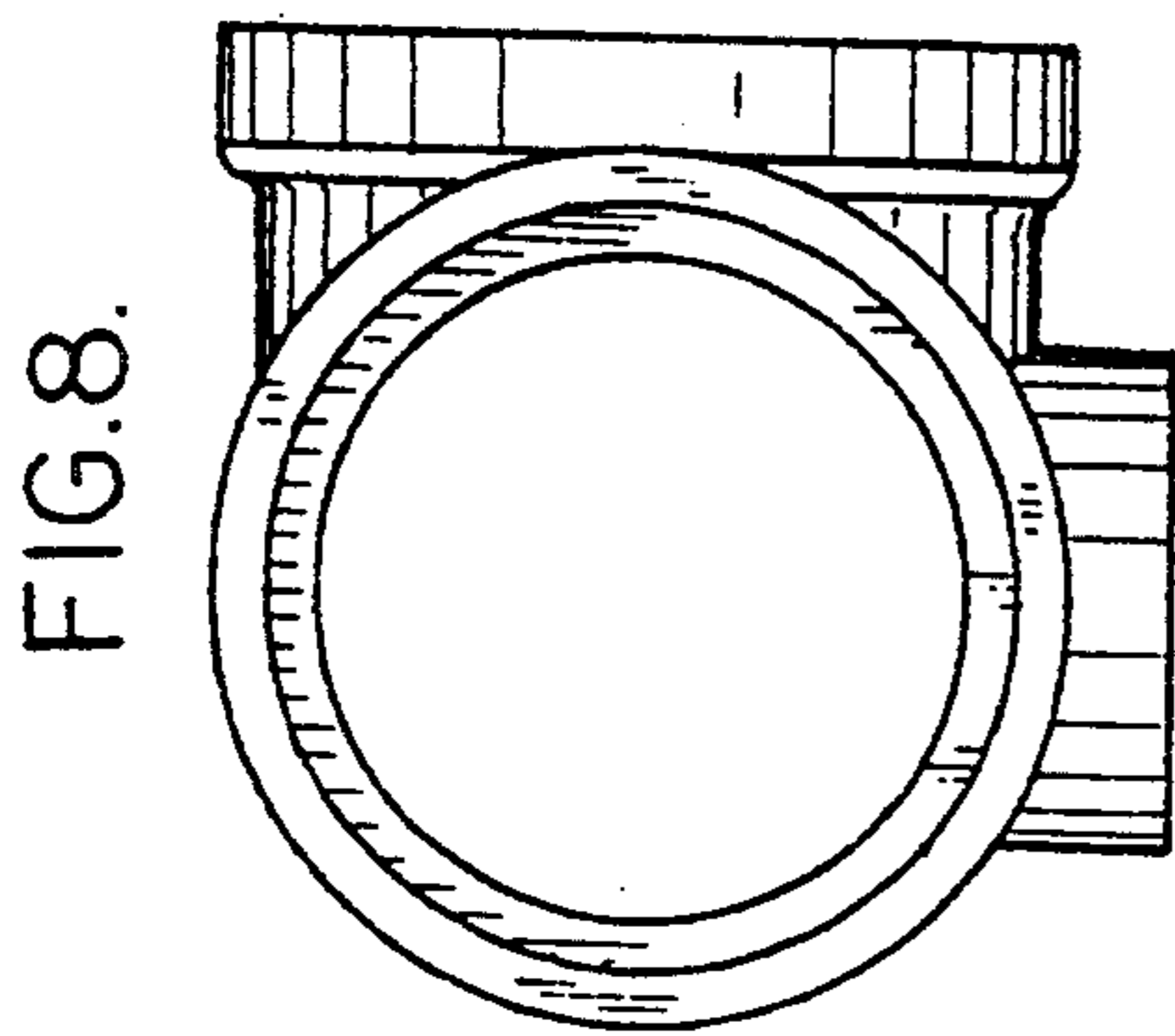


FIG. 8.

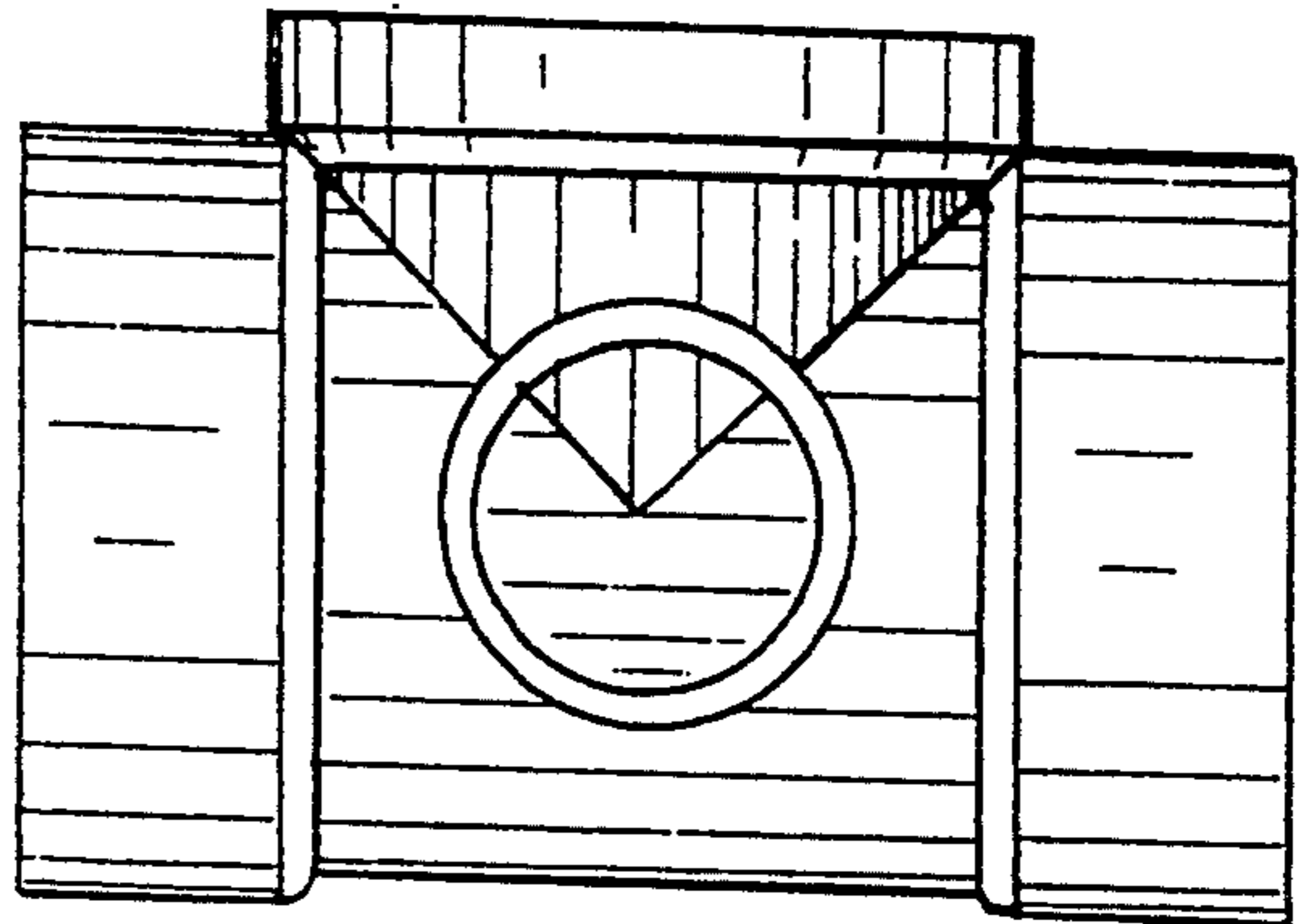


FIG. 9.

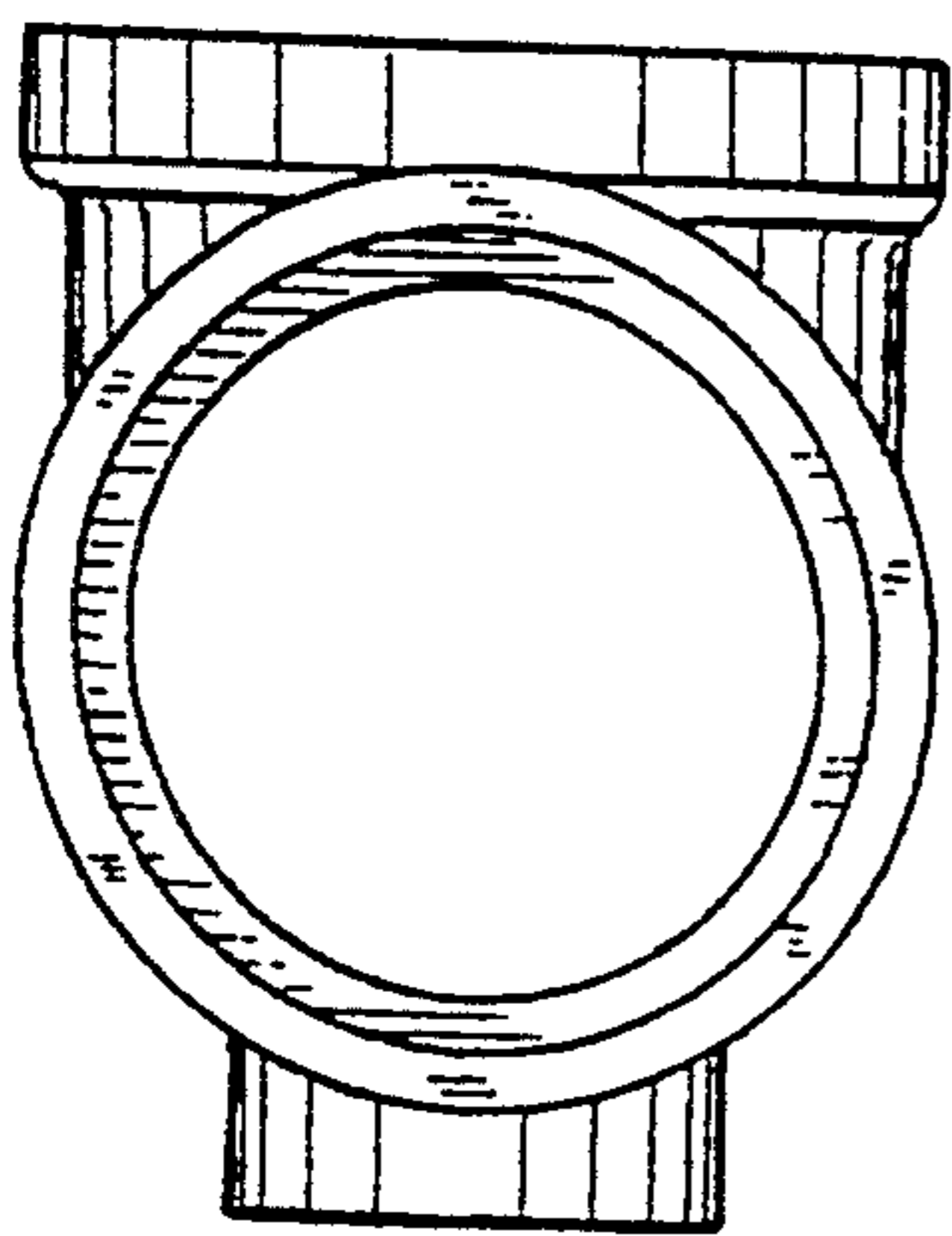


FIG. 12.

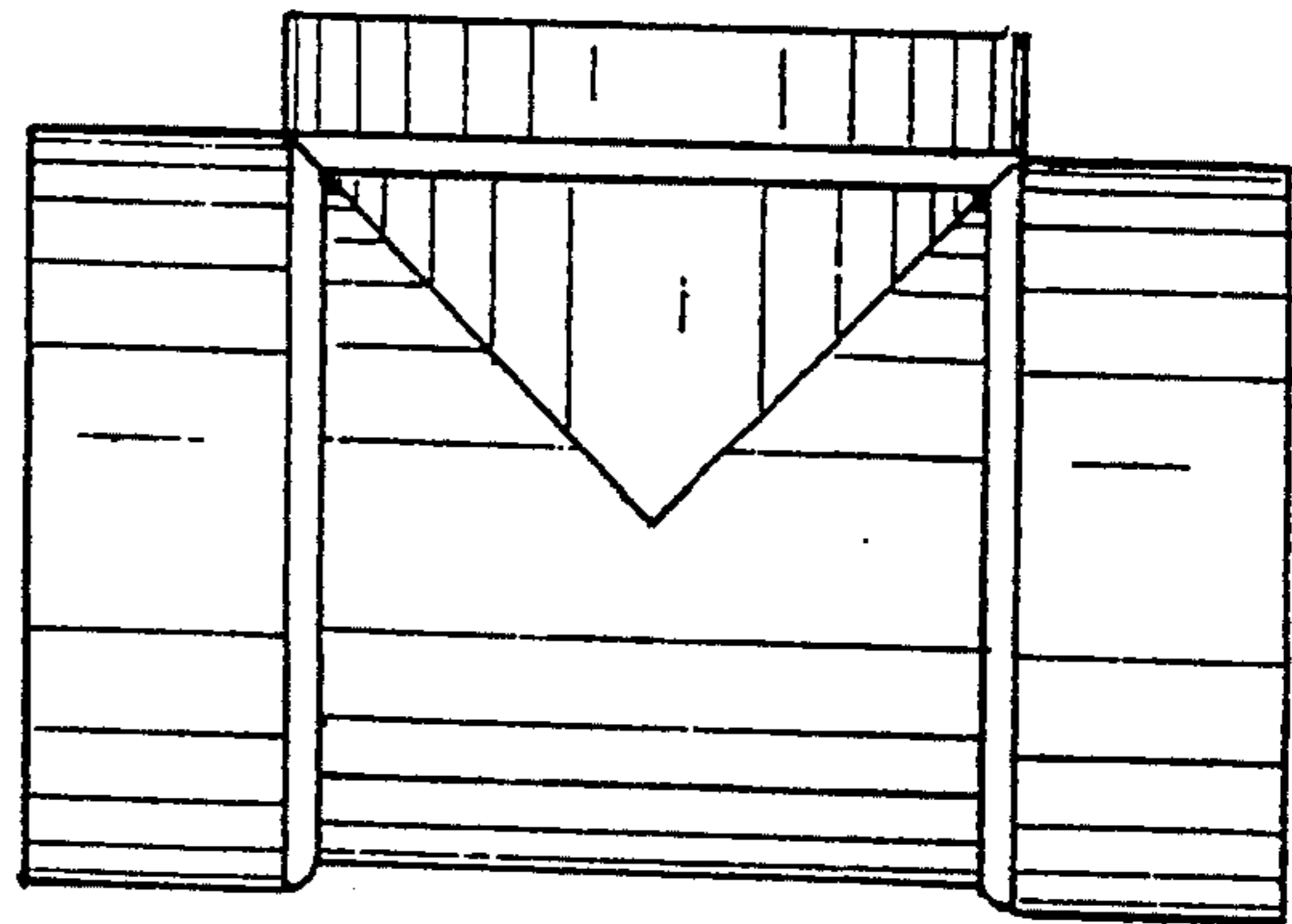


FIG. 10.

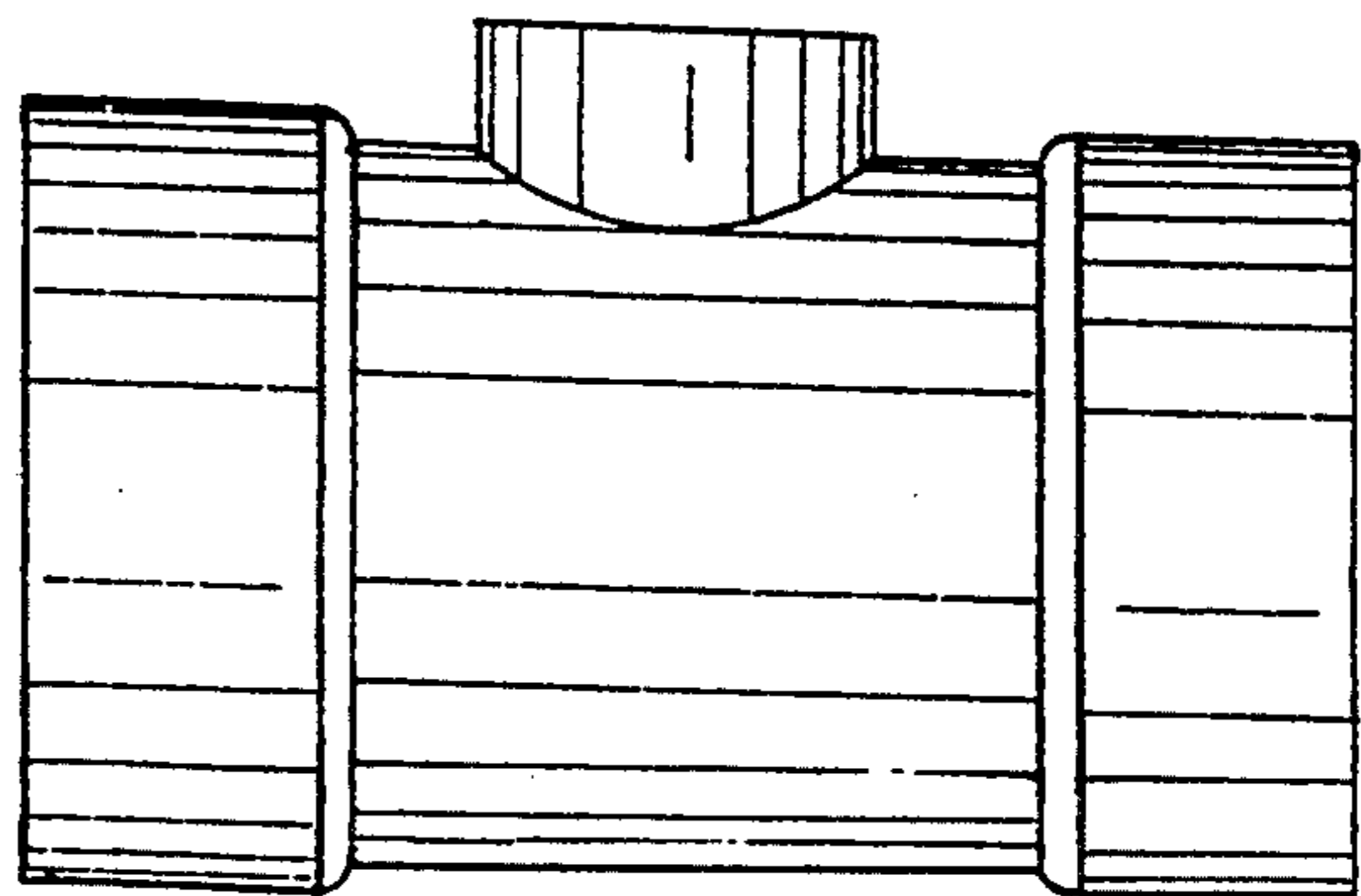


FIG. 11.