



US00D353653S

United States Patent [19]

[11] Patent Number: **Des. 353,653**

McKeone

[45] Date of Patent: **** Dec. 20, 1994**

- [54] SPOUT
- [75] Inventor: **William C. McKeone**, Sheboygan, Wis.
- [73] Assignee: **Kohler Co.**, Kohler, Wis.
- [**] Term: **14 Years**
- [21] Appl. No.: **18,805**
- [22] Filed: **Feb. 16, 1994**

Related U.S. Application Data

- [60] Division of Ser. No. 7,386, Jan. 21, 1993, which is a continuation-in-part of Ser. No. 824,500, Jan. 22, 1992, abandoned.
- [52] U.S. Cl. **D23/255**
- [58] Field of Search 4/675-678; 137/801; D23/238-243, 255-257

[56] References Cited

U.S. PATENT DOCUMENTS

D. 101,443	10/1936	Dreyfuss	D23/255
D. 113,396	2/1939	Reinecko	D23/255
D. 198,830	8/1964	Armstrong	D23/255
D. 203,243	12/1965	Bilkiss	D23/255
D. 211,874	8/1968	Mongerson	D23/257
D. 218,034	7/1970	Mongerson	D23/257
D. 290,869	7/1987	Paul	.	
D. 292,430	10/1987	Enthoven	D23/241
D. 300,940	5/1989	Paul	D23/242
D. 308,718	6/1990	Strignano	D23/242
D. 316,895	5/1991	Hill	D23/255
4,884,596	12/1989	Byers et al.	137/801
5,165,121	11/1992	McTargett et al.	4/678

OTHER PUBLICATIONS

- Undated Kohler ad for Emperor Lapidary fixtures, admitted prior art.
- Undated Jacob Delafon ad showing the Mitigeur Lavabo, admitted prior art.
- Undated Andre Collection ad for Sphinx fixtures, admitted prior art.
- P. 8 of ad for Triamid fixtures, admitted prior art.

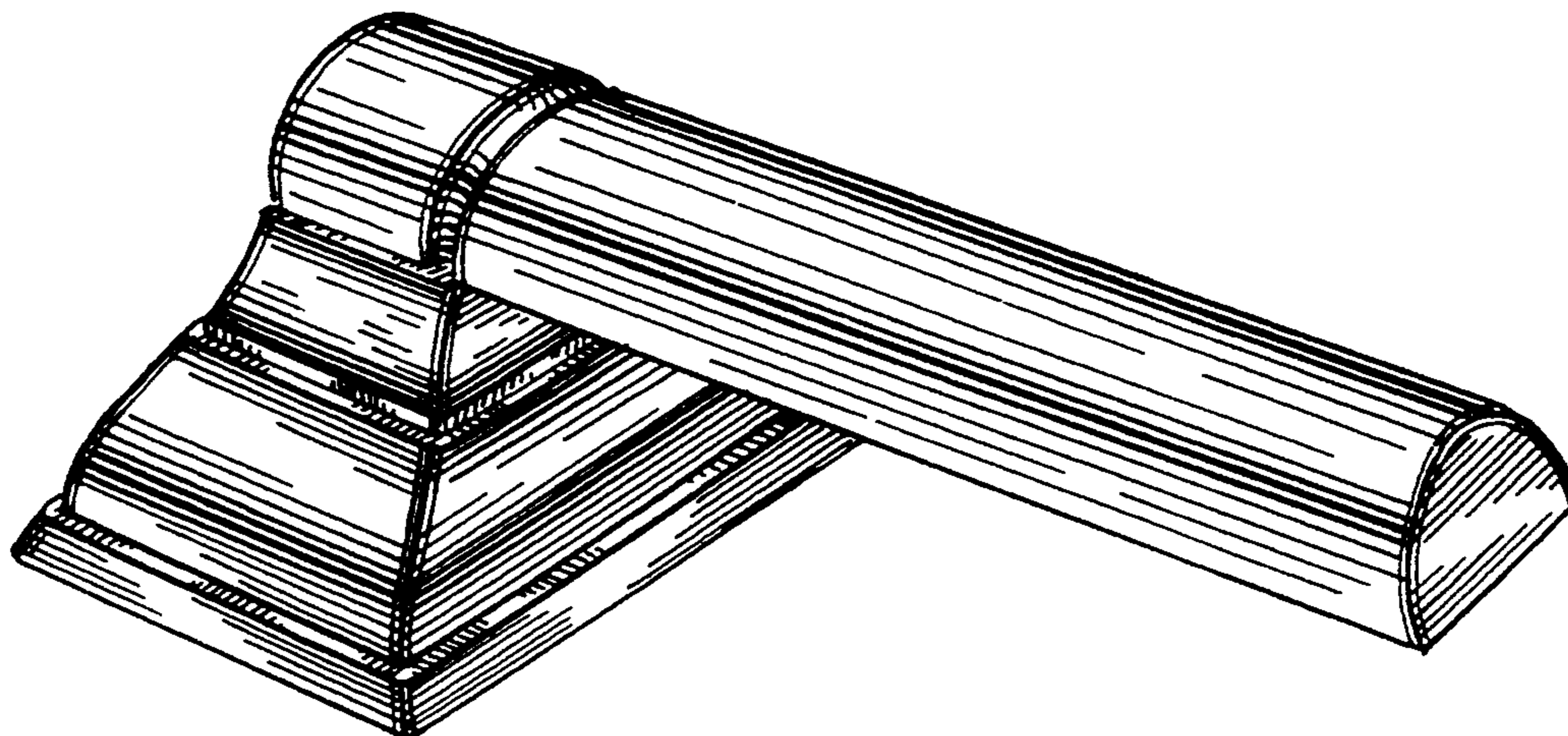
Primary Examiner—James R. Largen
Attorney, Agent, or Firm—Quarles & Brady

[57] CLAIM

The ornamental design for a spout, as shown and described.

DESCRIPTION

FIG. 1 is a perspective view taken from the top, front and left side of a spout embodying my new design; FIG. 2 is a right side elevational view thereof, the left side being a mirror image of the right side; FIG. 3 is a front elevational view thereof; FIG. 4 is a top plan view thereof; FIG. 5 is a rear elevational view thereof; FIG. 6 is a perspective view taken from the top, front and left side of a second embodiment thereof; FIG. 7 is a right side elevational view of FIG. 6, the left side being a mirror image of the right side; FIG. 8 is a front elevational view of FIG. 6; FIG. 9 is a top plan view of FIG. 6; FIG. 10 is a rear elevational view of FIG. 6; FIG. 11 is a bottom plan view of FIG. 6; FIG. 12 is a perspective view taken from the top, front and left side of a third embodiment thereof, which is the same as the second embodiment except that the barrel of the spout has been shortened; FIG. 13 is a right side elevational view of FIG. 12, the left side being a mirror image of the right side; FIG. 14 is a top plan view of FIG. 12; FIG. 15 is a perspective view taken from the top, front and left side of a fourth embodiment thereof, which is the same as the second embodiment except for the addition of a groove on the barrel of the spout; FIG. 16 is a right side elevational view of FIG. 15, the left side being a mirror image of the right side; FIG. 17 is a top plan view of FIG. 15; FIG. 18 is a perspective view taken from the top, front and left side of a fifth embodiment thereof, which is the same as the third embodiment except for the addition of a groove on the barrel of the spout; FIG. 19 is a right side elevational view of FIG. 18, the left side being mirror image of the right side; and, FIG. 20 is a top plan view of FIG. 18.



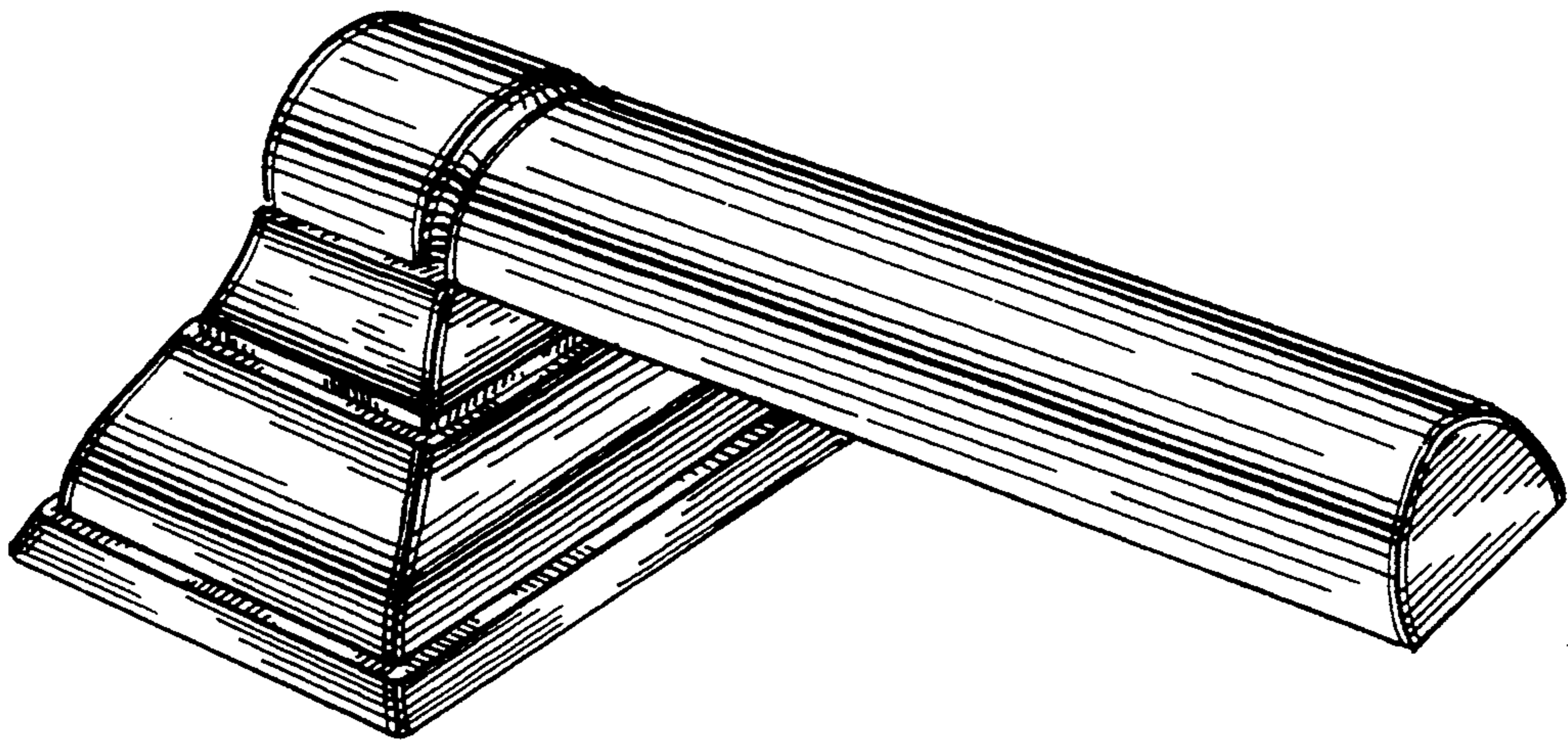


FIG. 1

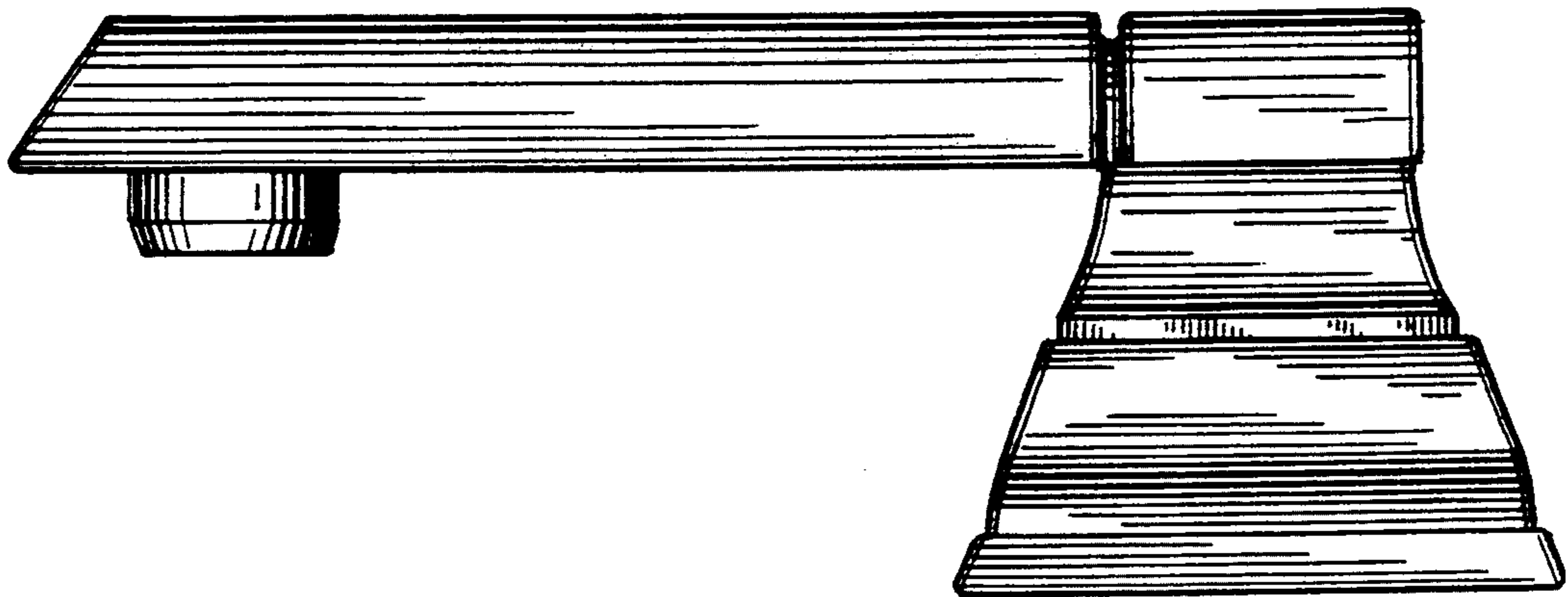


FIG. 2

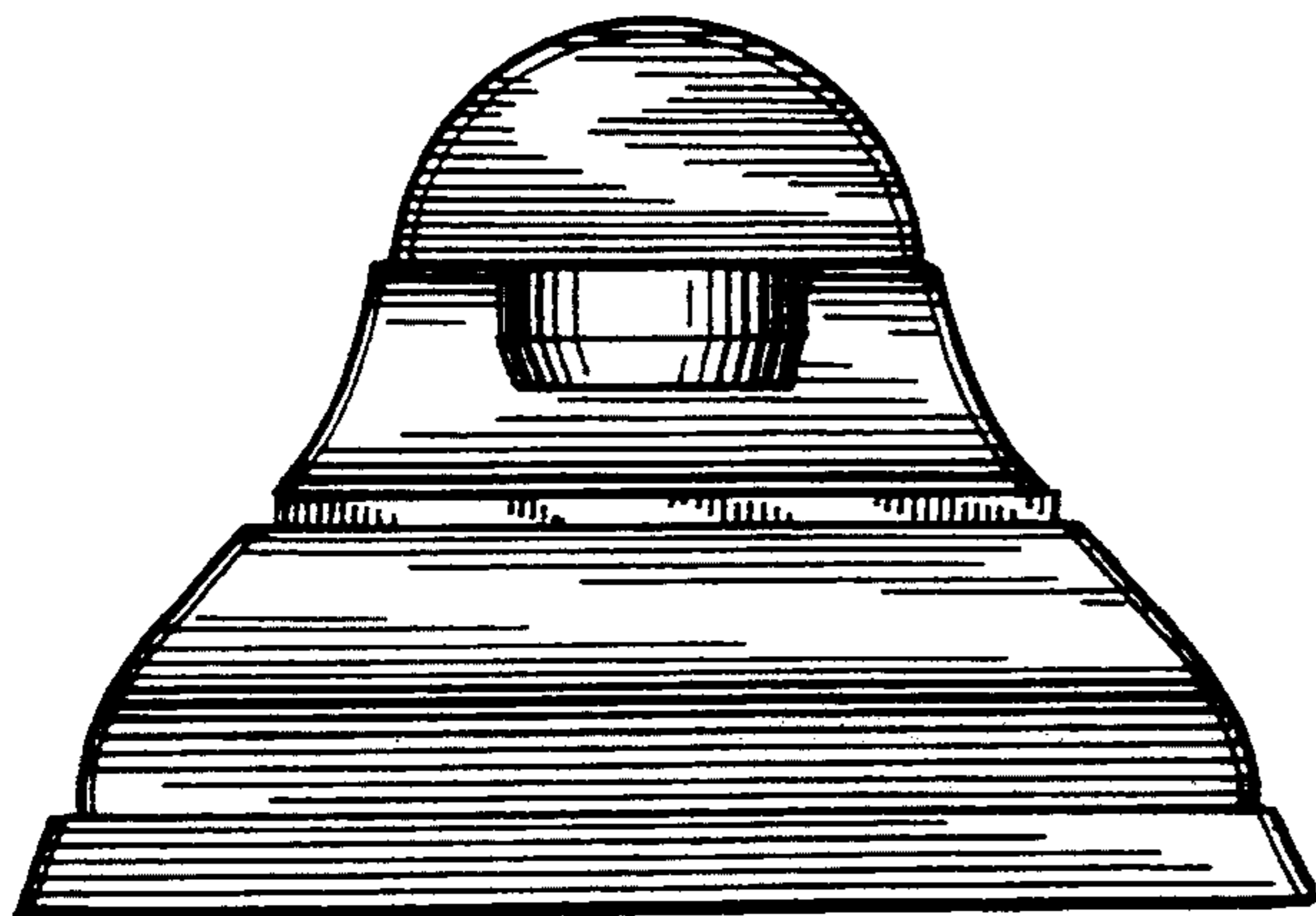


FIG. 3

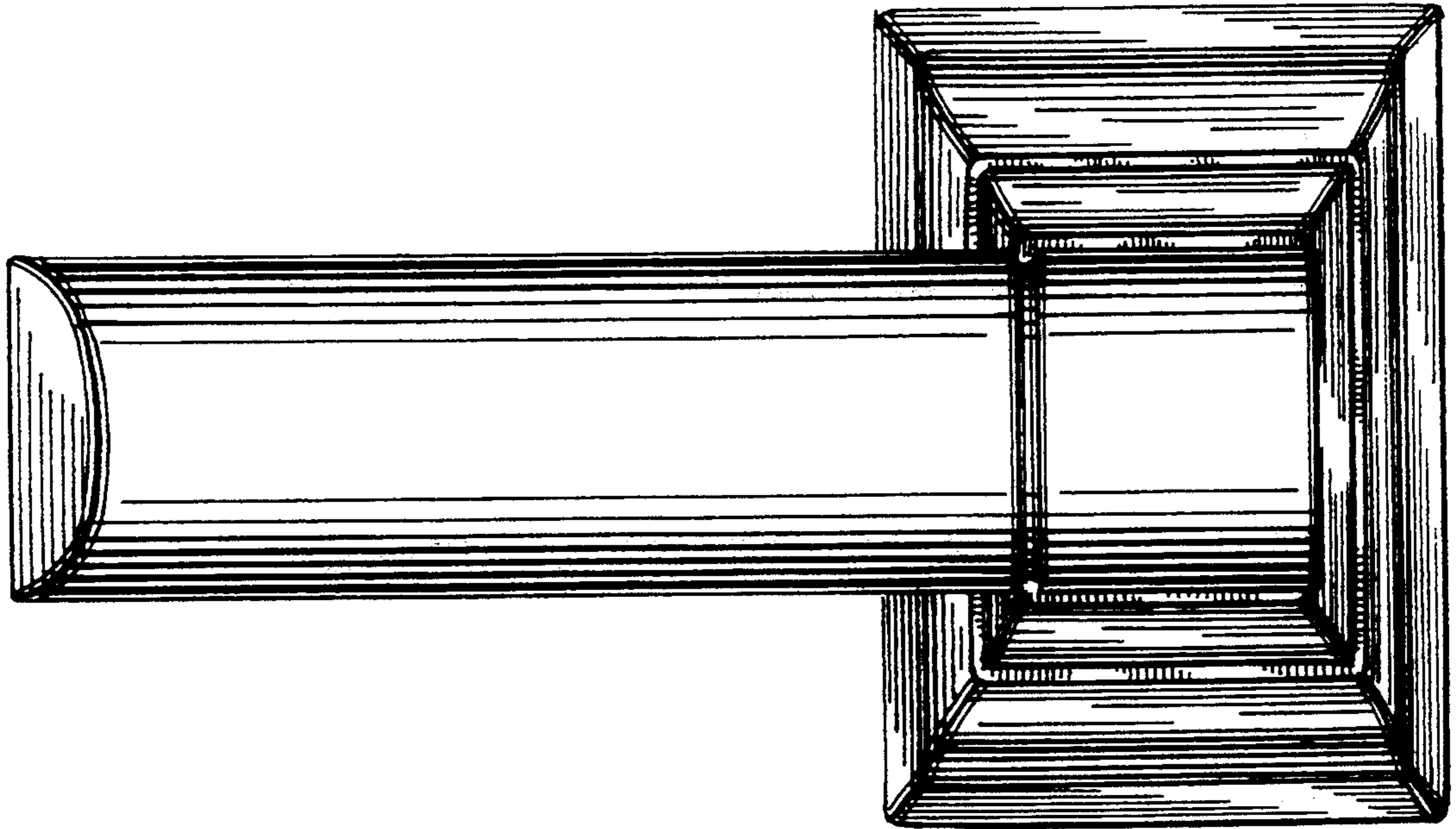


FIG. 4

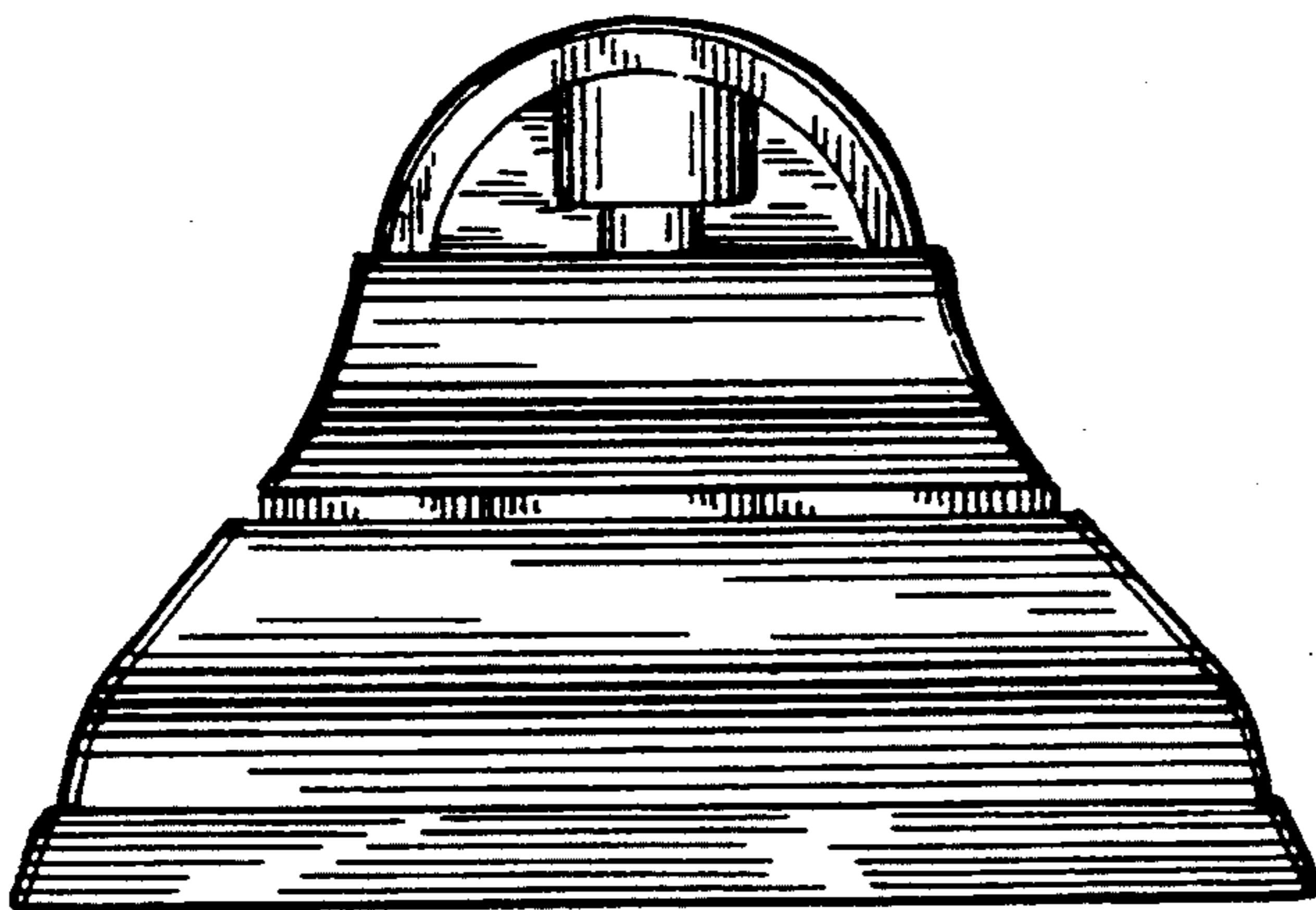


FIG. 5

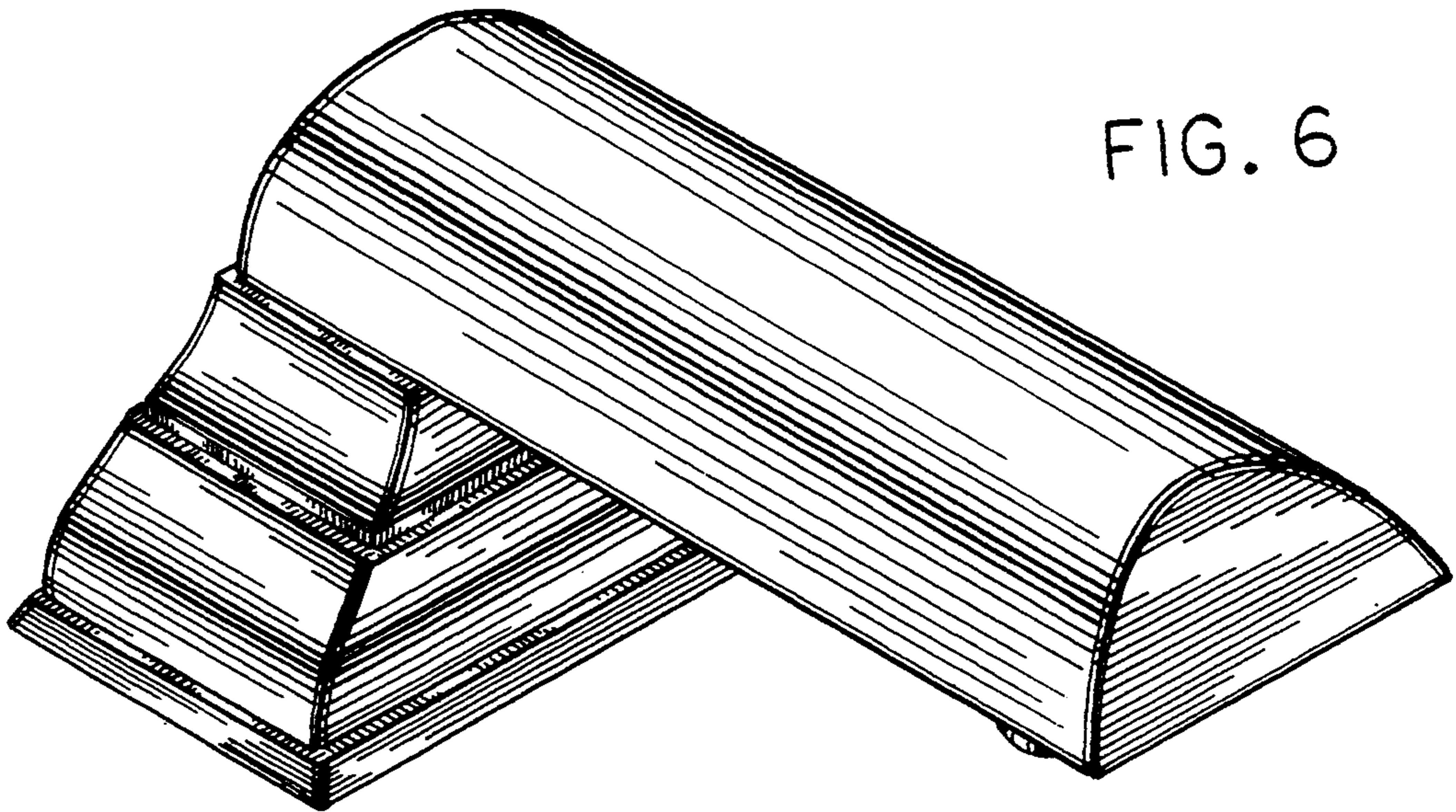


FIG. 6

FIG. 7

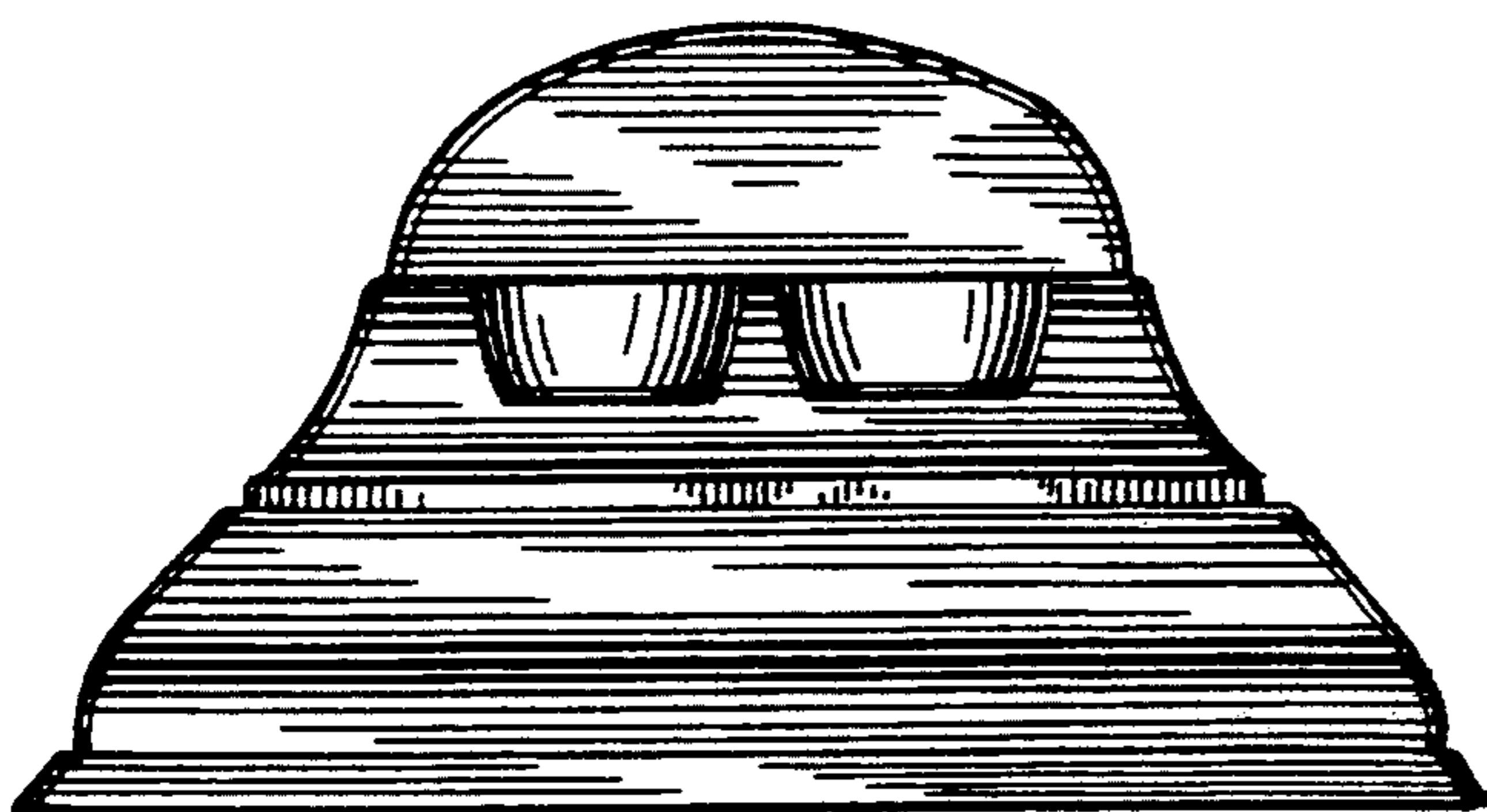
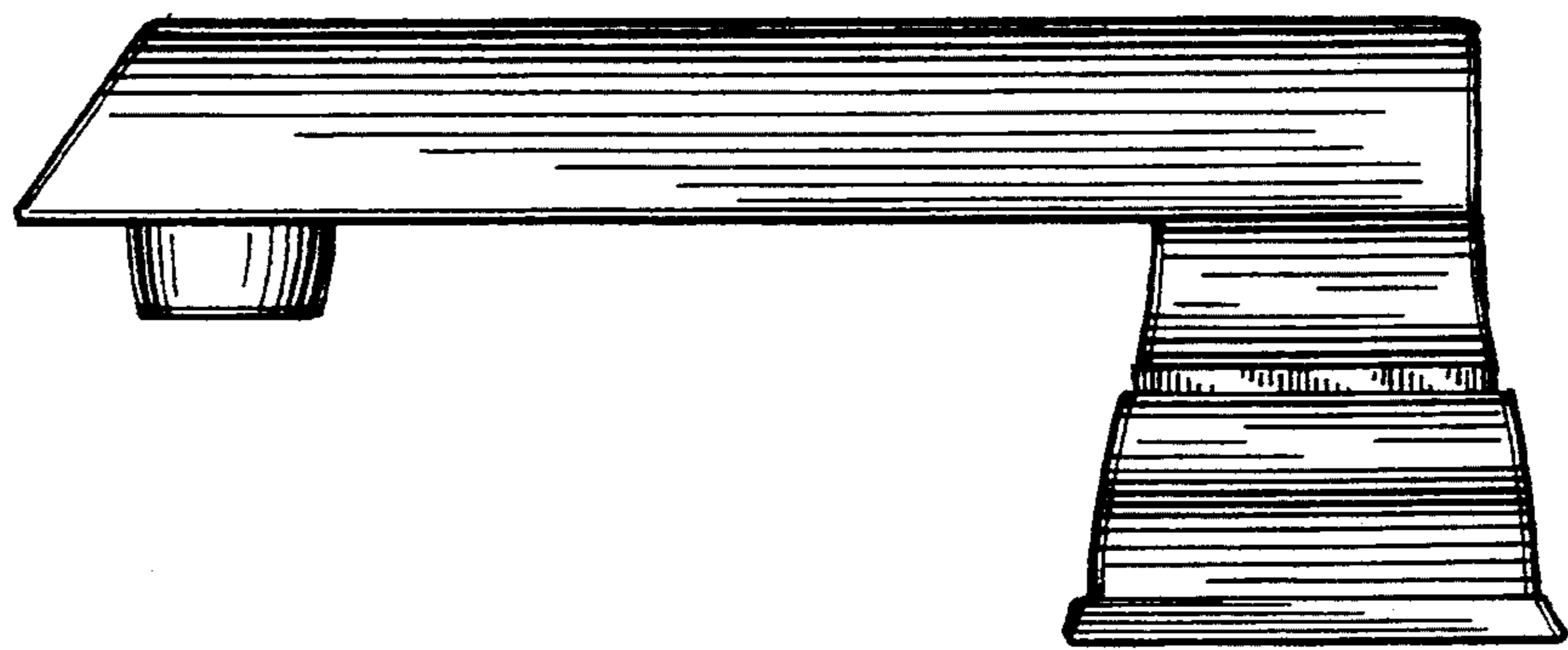


FIG. 8

FIG. 9

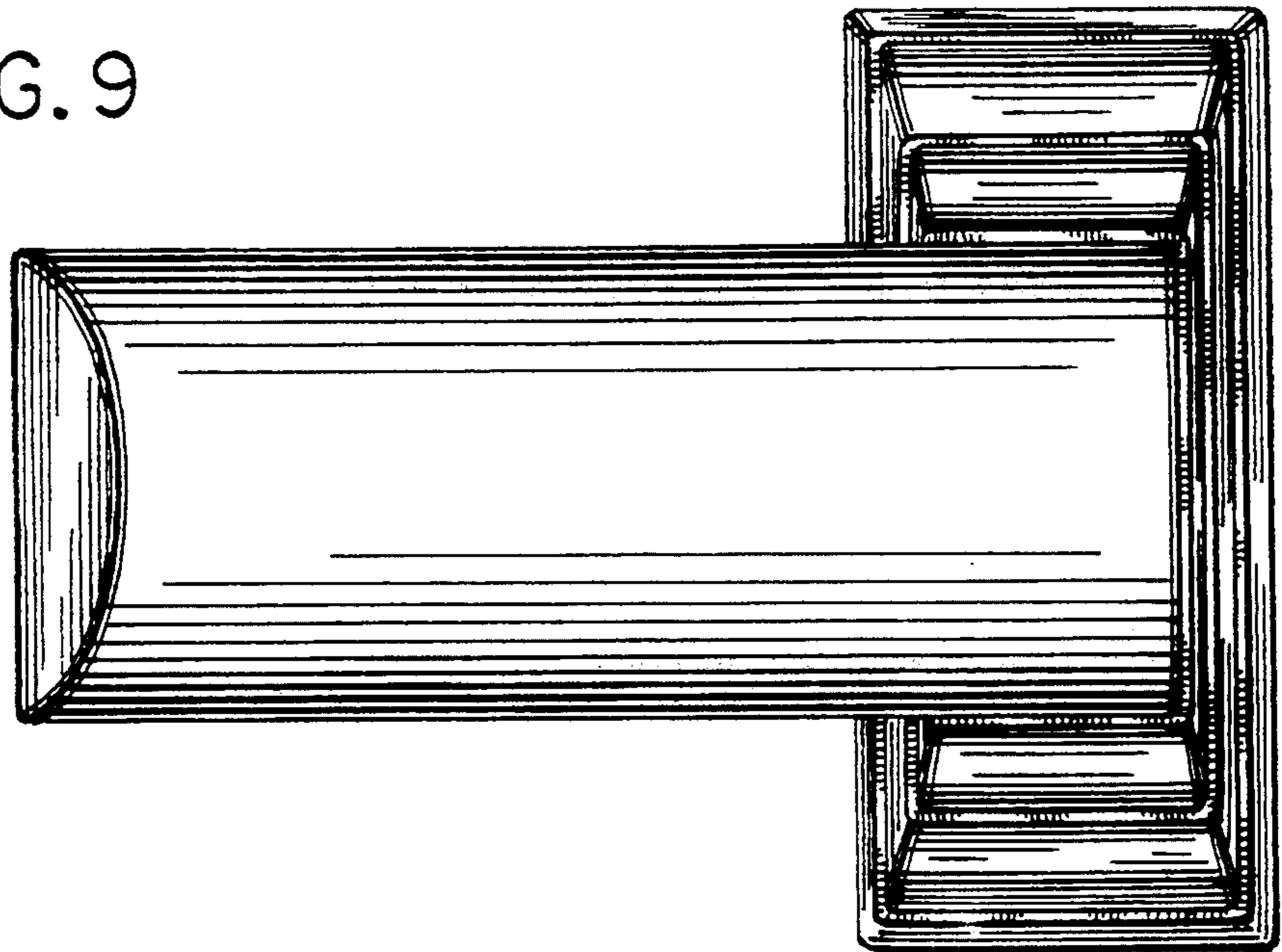


FIG. 10

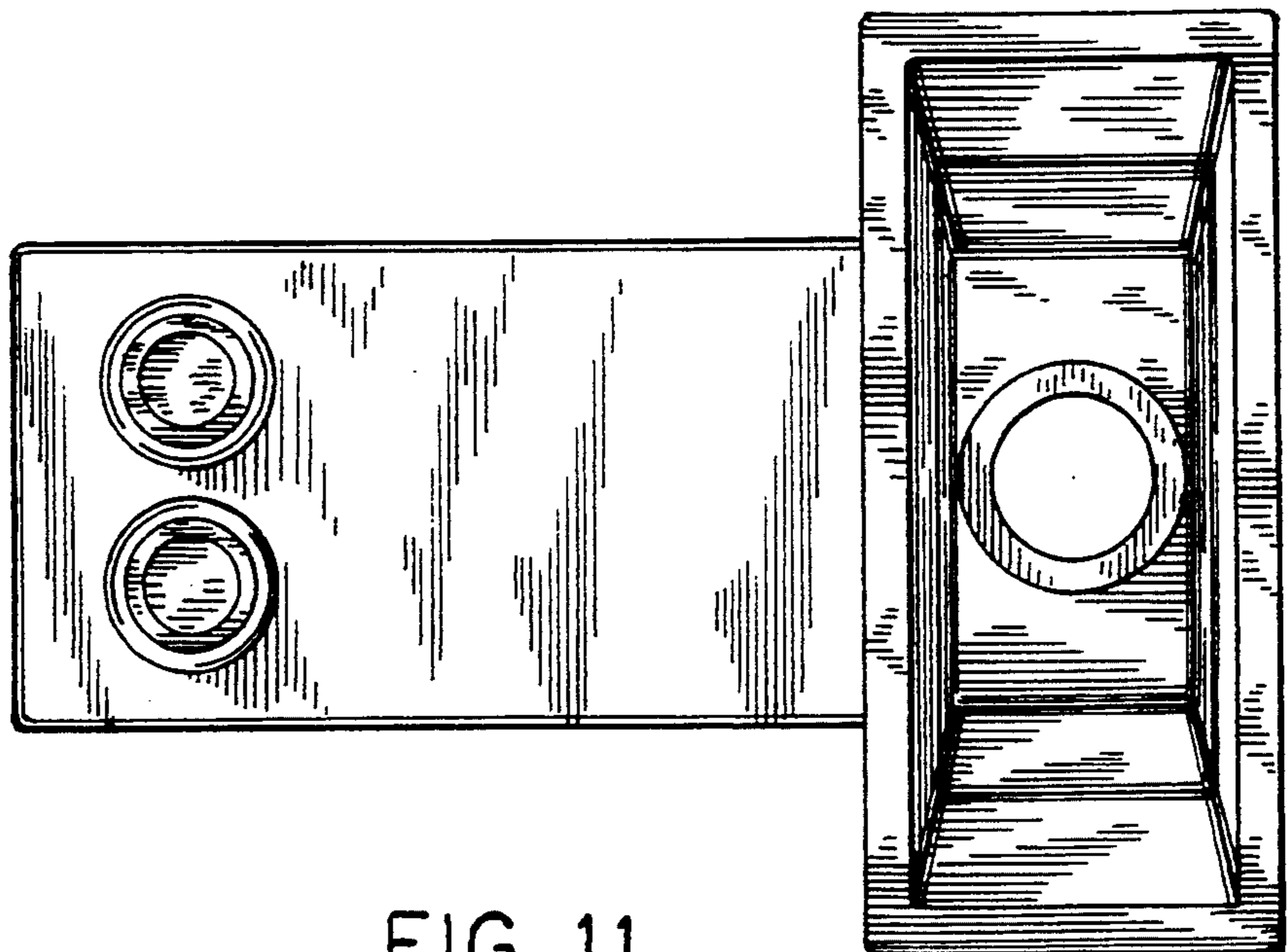
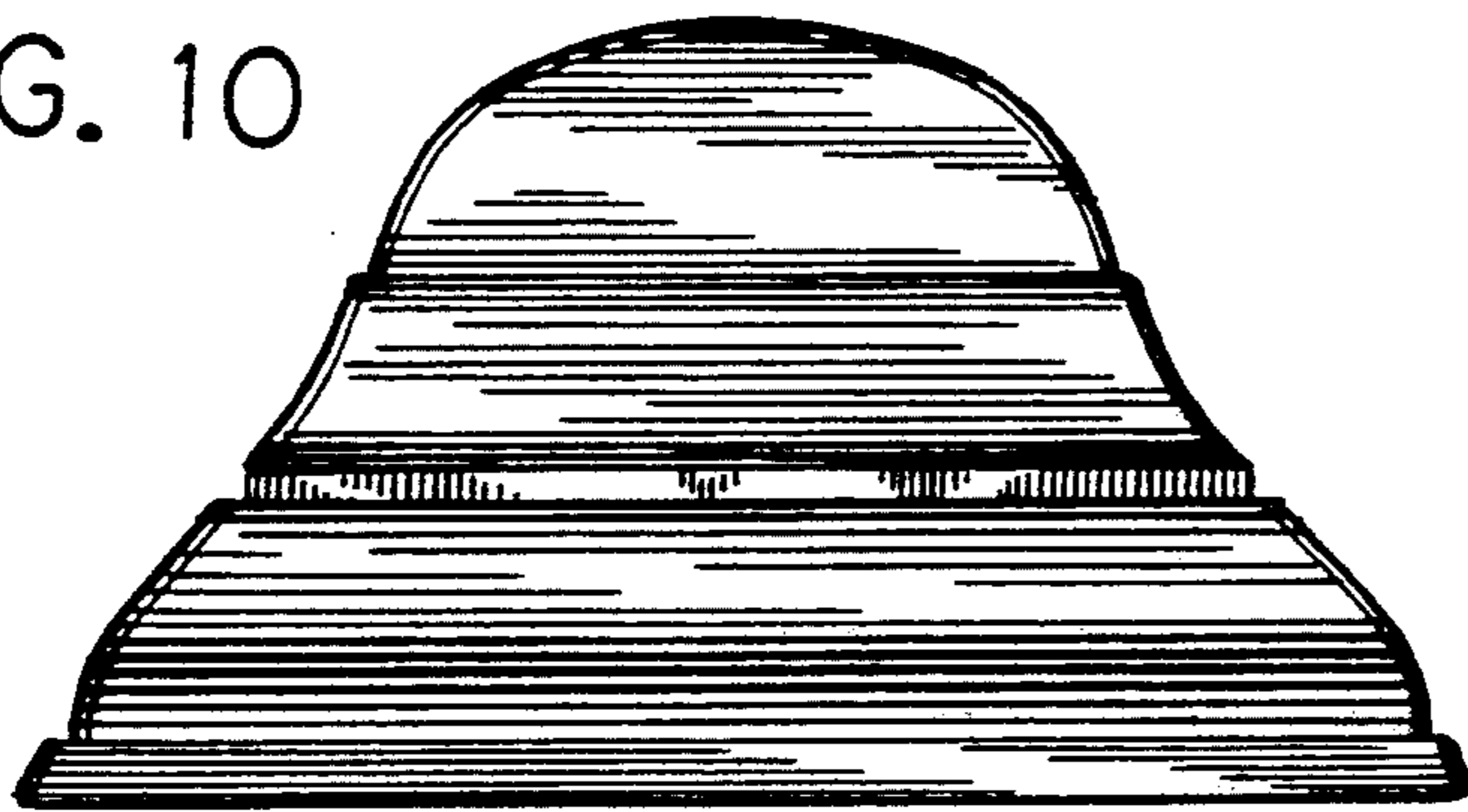


FIG. 11

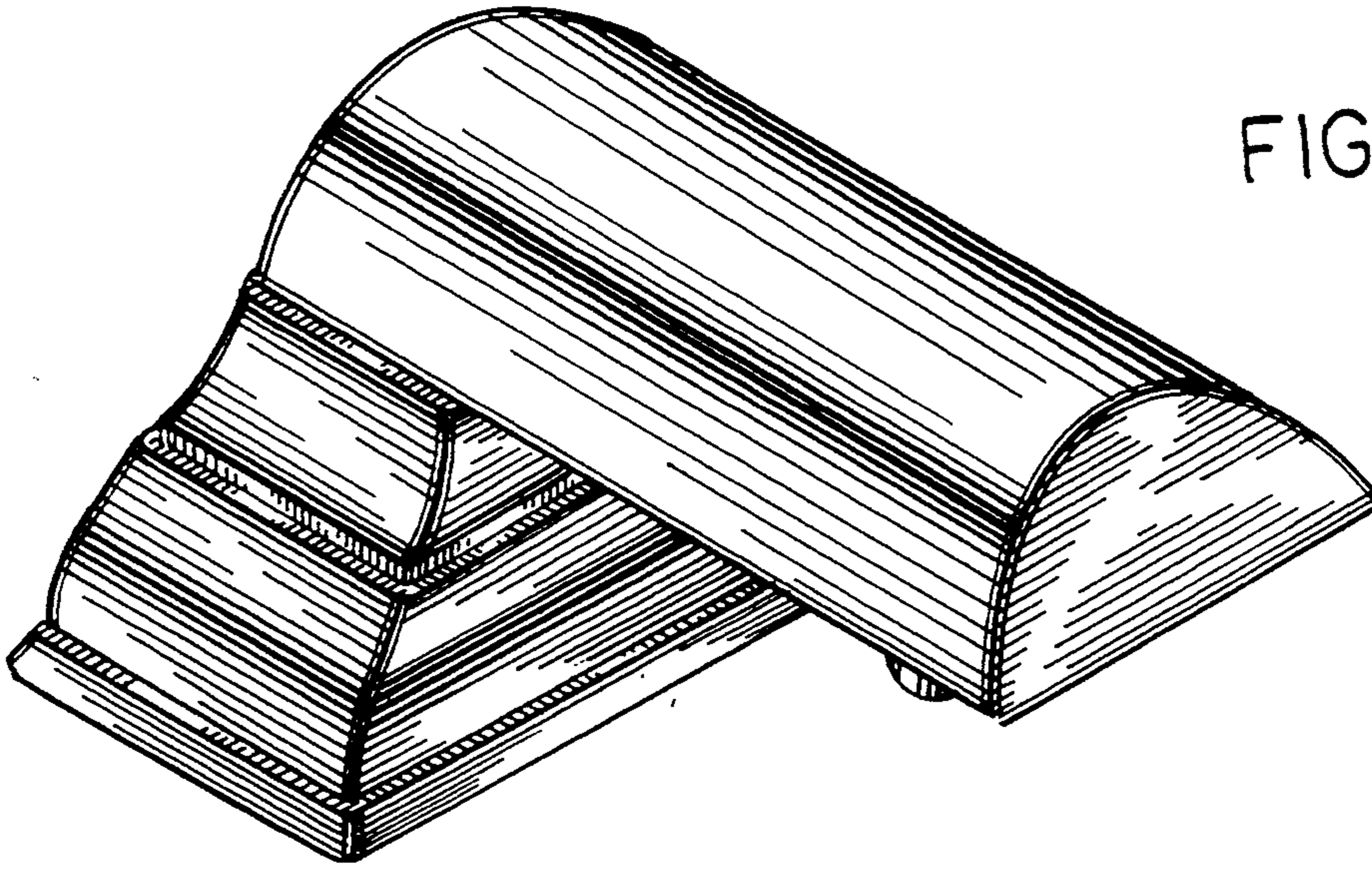


FIG. 12

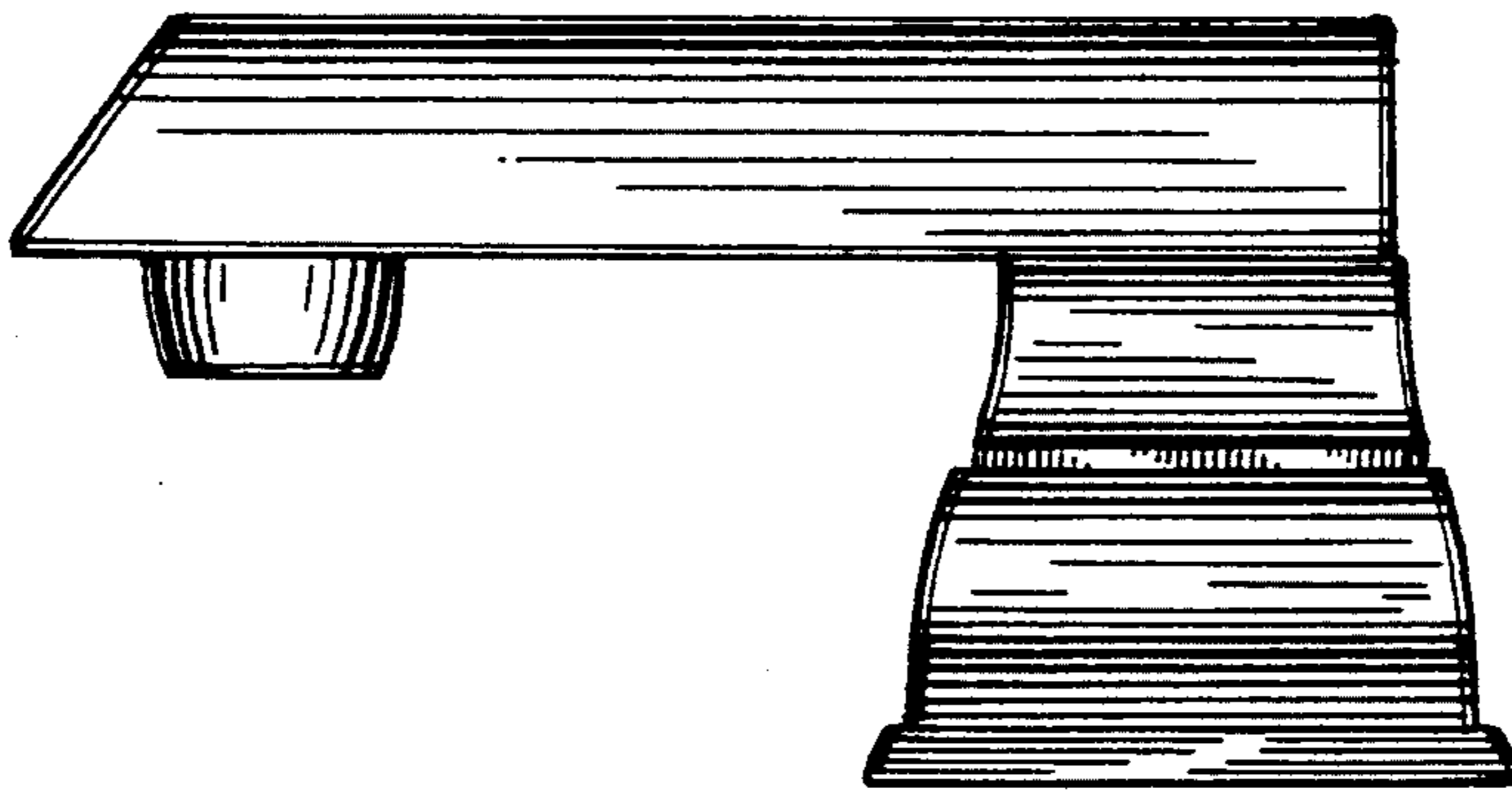
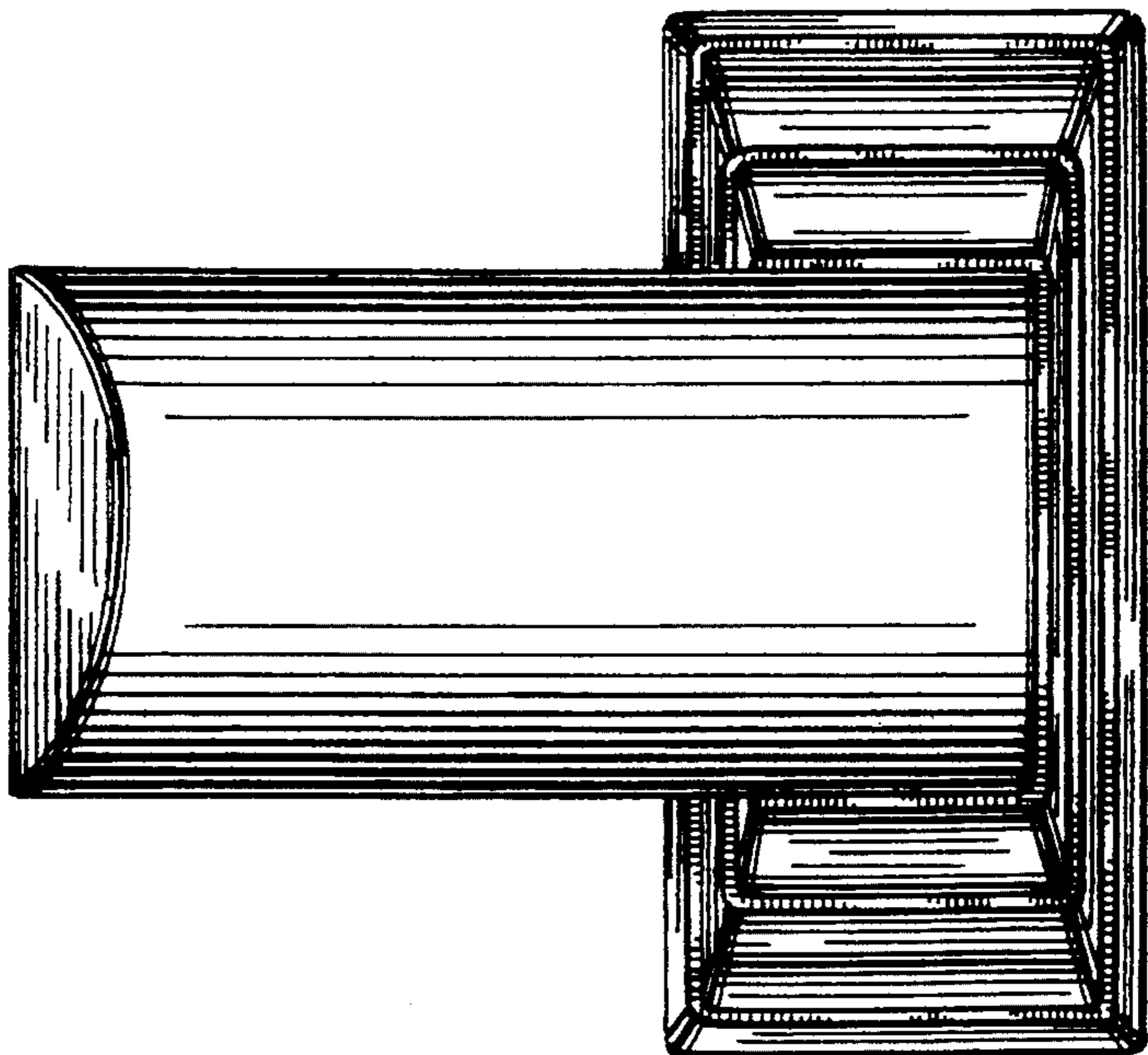


FIG. 13

FIG. 14



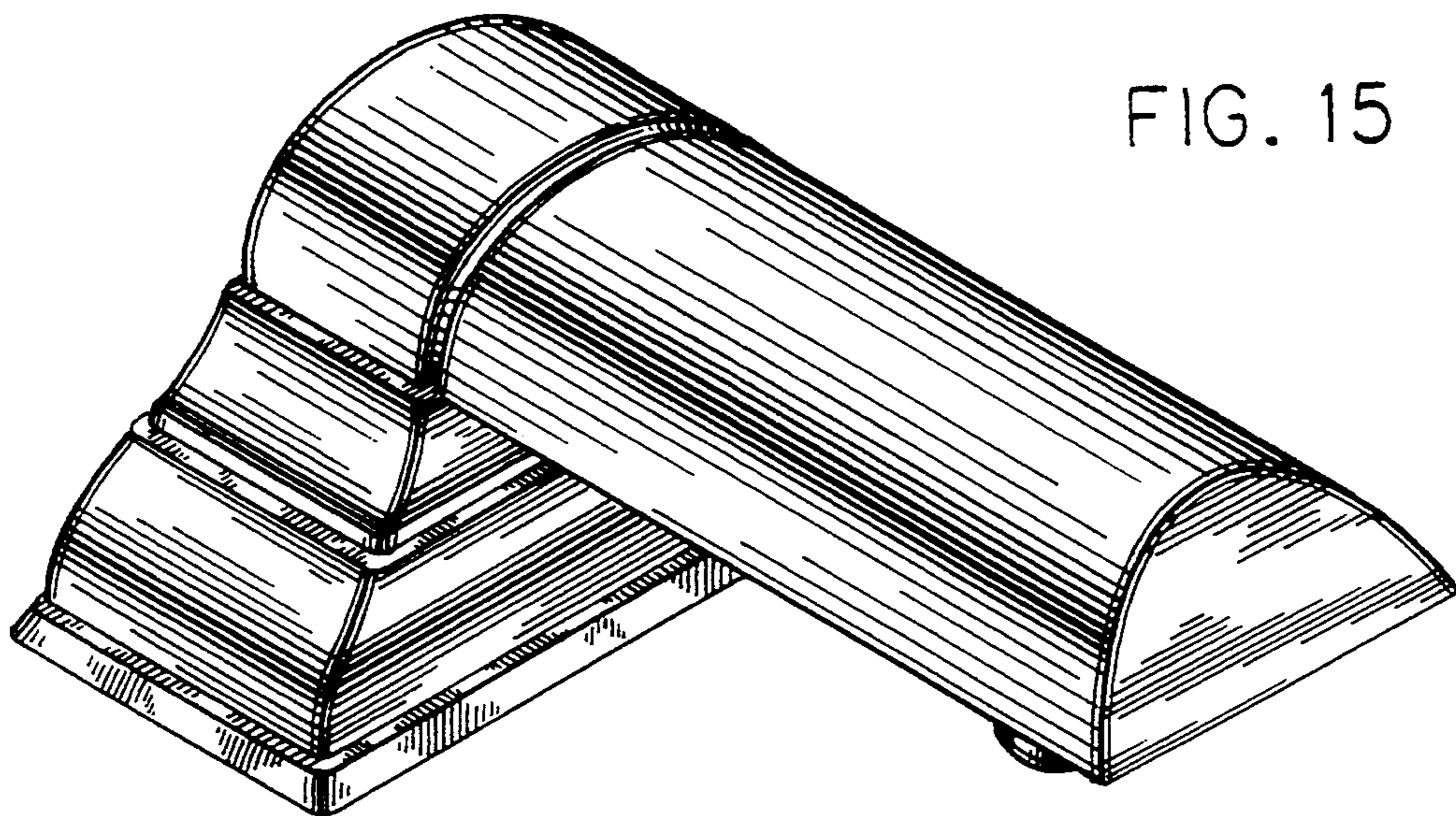


FIG. 15

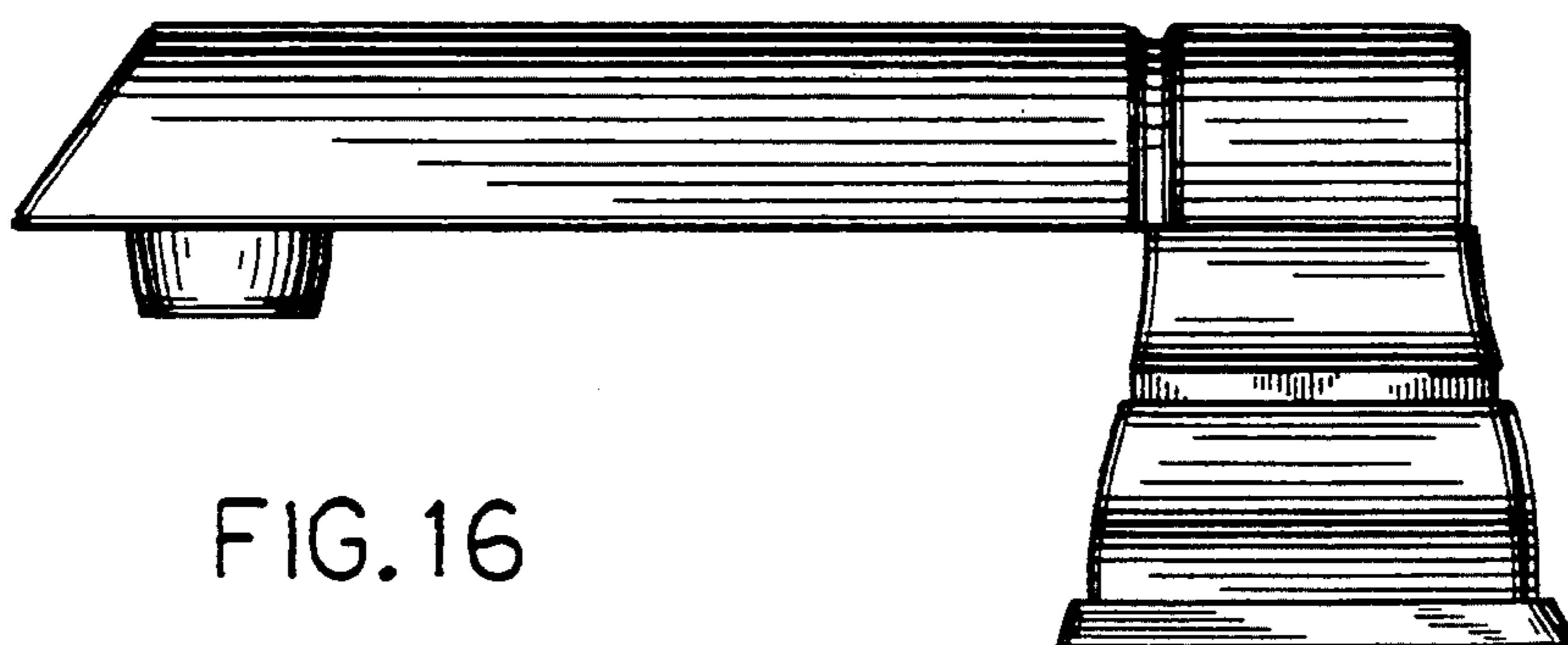


FIG. 16

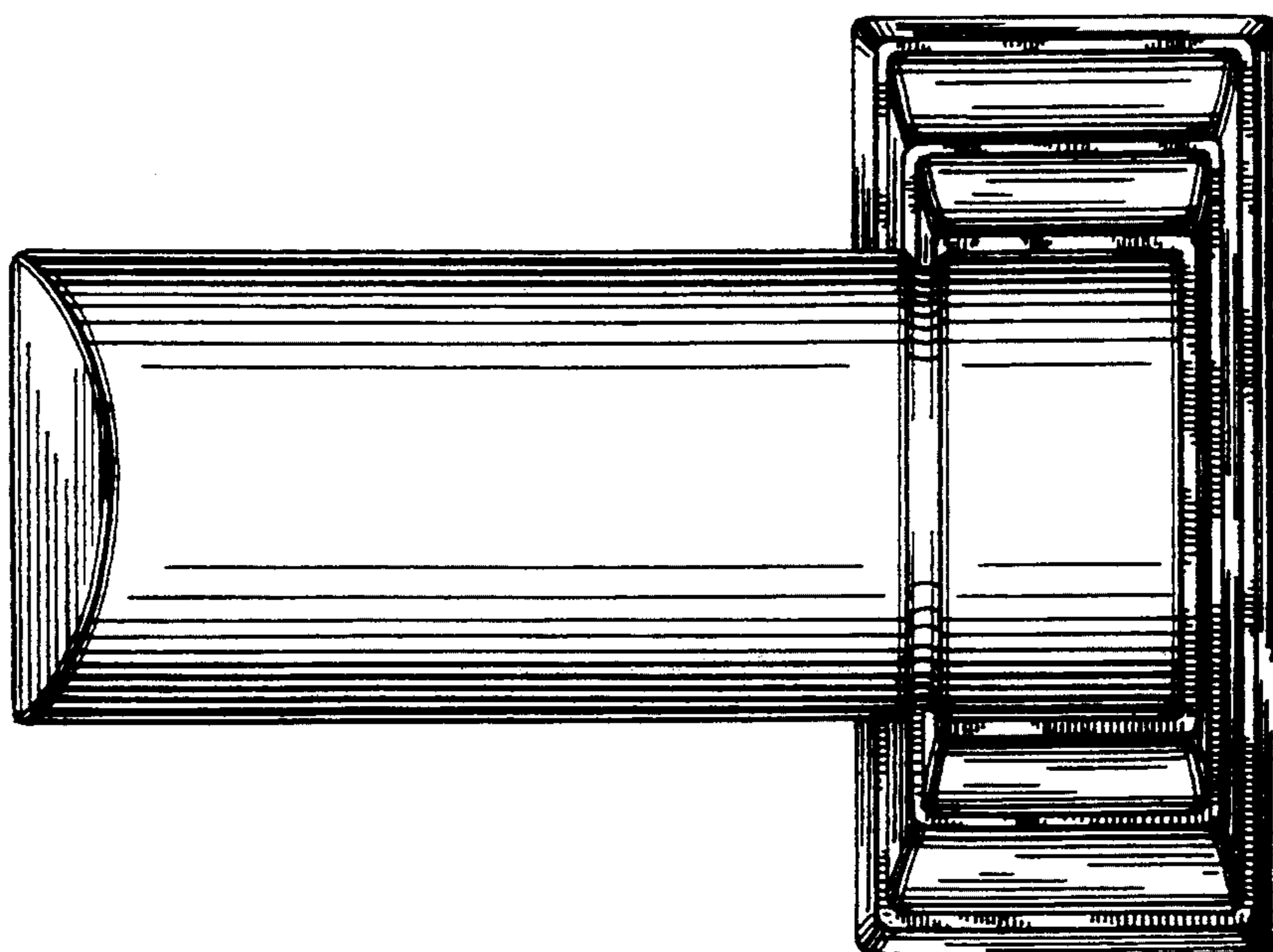


FIG. 17

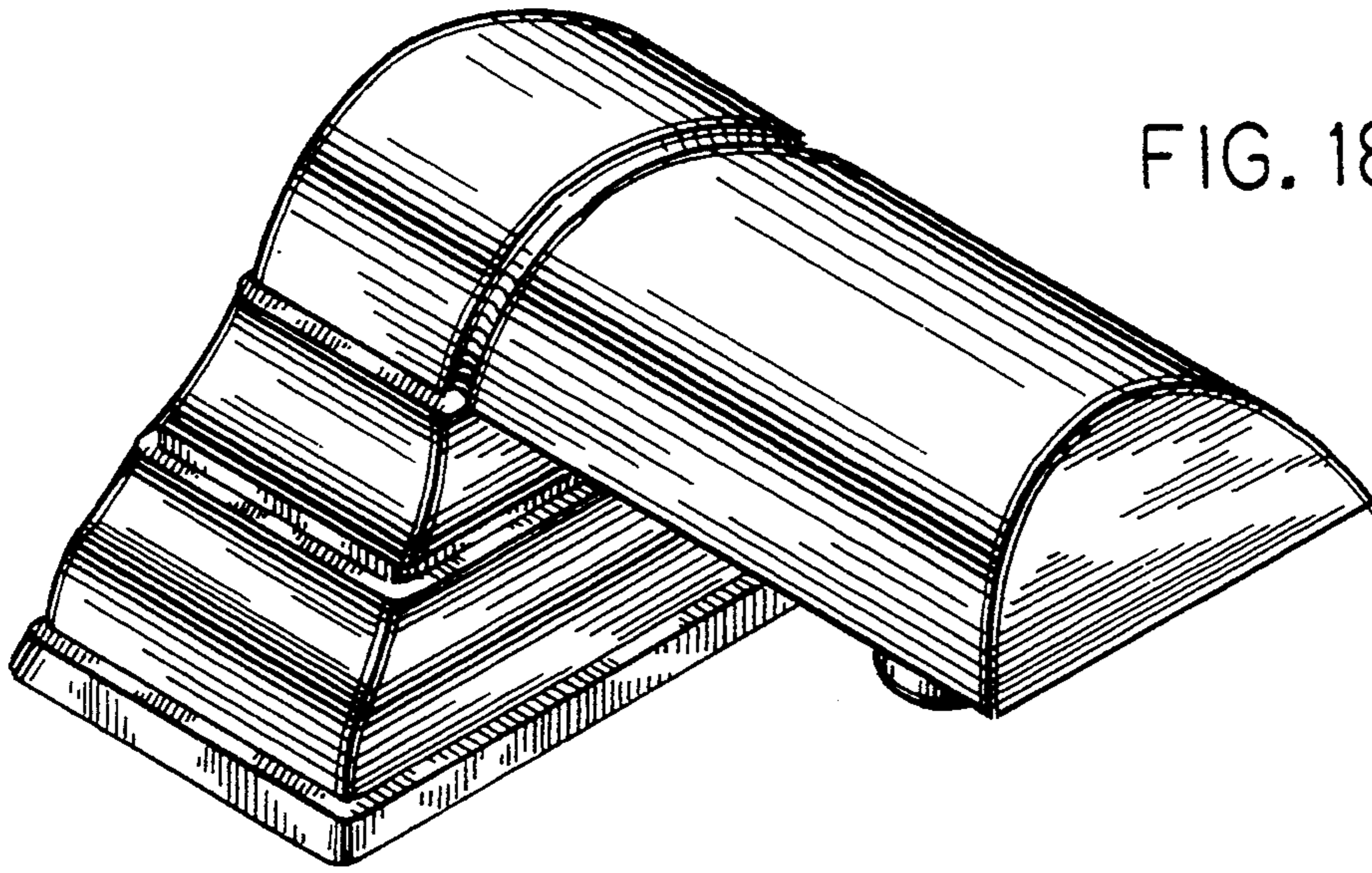


FIG. 18

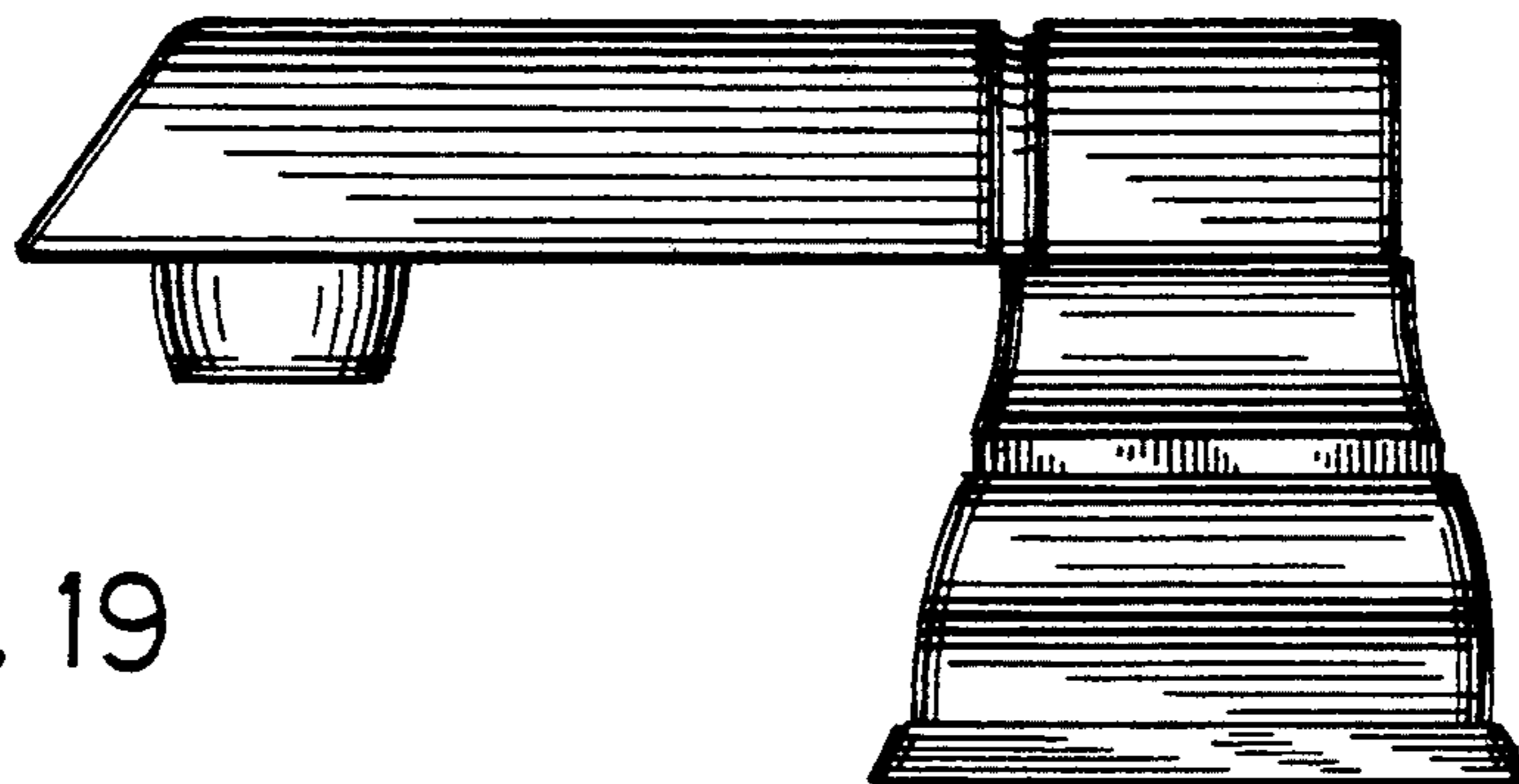


FIG. 19

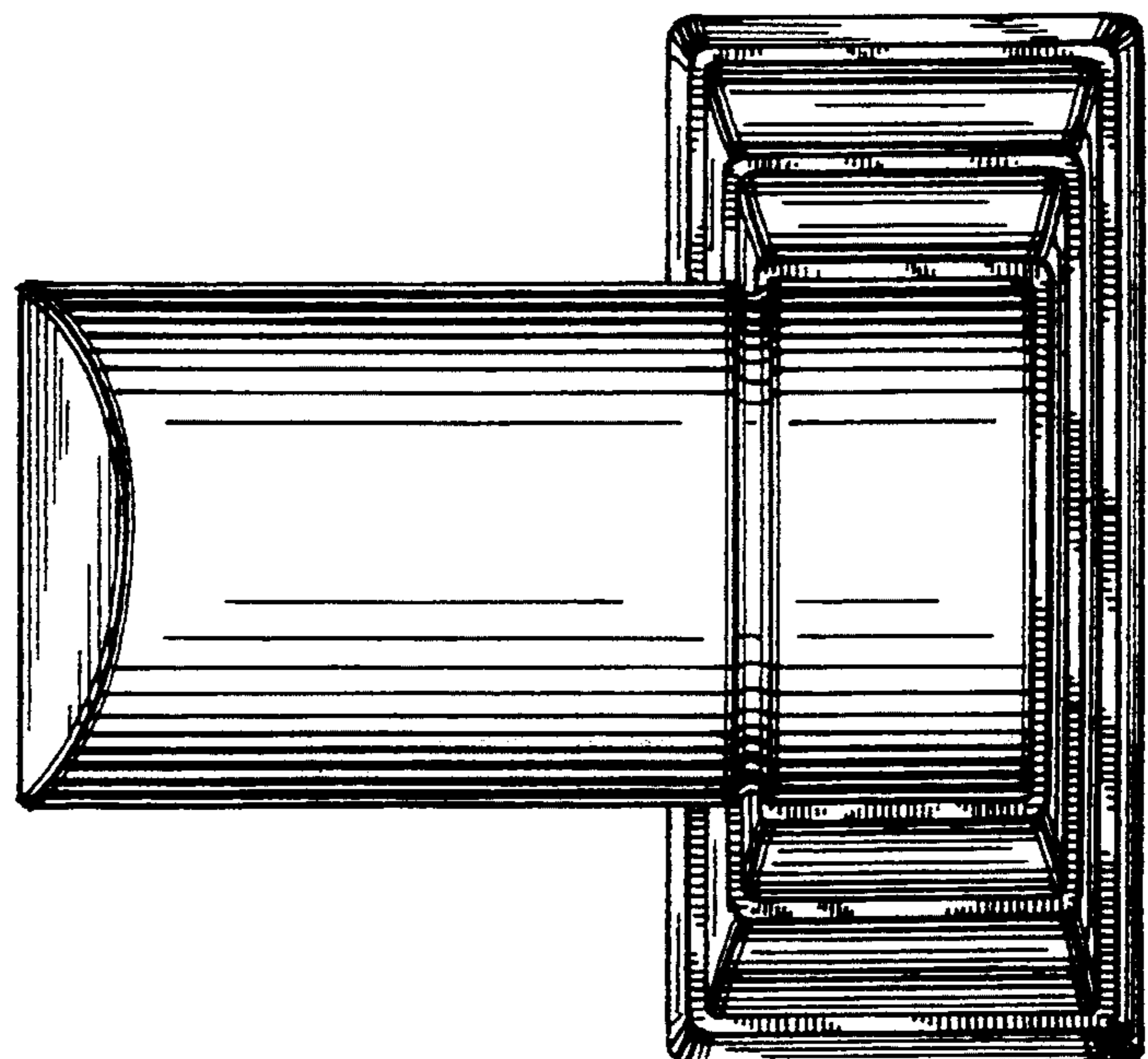


FIG. 20