



US00D353647S

United States Patent [19]
Sakurai

[11] **Patent Number: Des. 353,647**

[45] **Date of Patent: ** Dec. 20, 1994**

[54] **FISHING REEL**

[75] **Inventor: Tomoharu Sakurai, Wakayama, Japan**

[73] **Assignee: Shimano Inc., Osaka, Japan**

[**] **Term: 14 Years**

[21] **Appl. No.: 924,660**

[22] **Filed: Aug. 5, 1992**

[30] **Foreign Application Priority Data**

Jun. 15, 1992 [JP] Japan 4-17729
[52] **U.S. Cl.** **D22/140**
[58] **Field of Search** 242/279, 257-262;
D22/140, 137

[56] **References Cited**

U.S. PATENT DOCUMENTS

D. 290,635 6/1987 Nakamura D22/140
D. 326,307 5/1992 Sakurai D22/140
D. 336,325 6/1993 Asano D22/140
2,624,524 1/1953 Laing 242/320

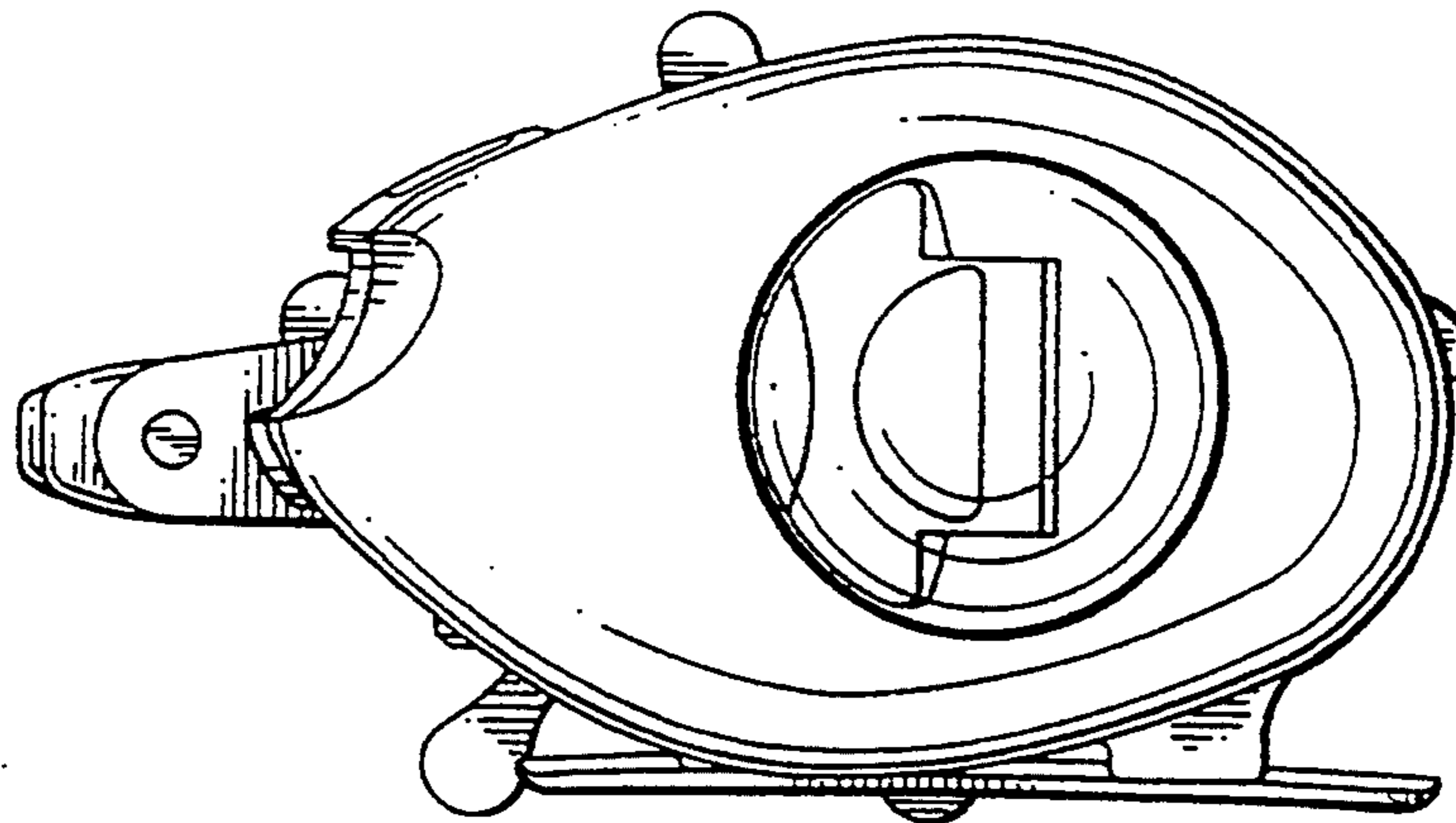
Primary Examiner—A. Hugo Word
Assistant Examiner—Doris V. Coles
Attorney, Agent, or Firm—Dickstein, Shapiro & Morin

[57] **CLAIM**

The ornamental design for a fishing reel, as shown and described.

DESCRIPTION

FIG. 1 is a front view of my fishing reel;
FIG. 2 is a rear view thereof;
FIG. 3 is a left side side view thereof;
FIG. 4 is a right side view thereof;
FIG. 5 is a top plan view thereof; and,
FIG. 6 is a bottom view thereof.



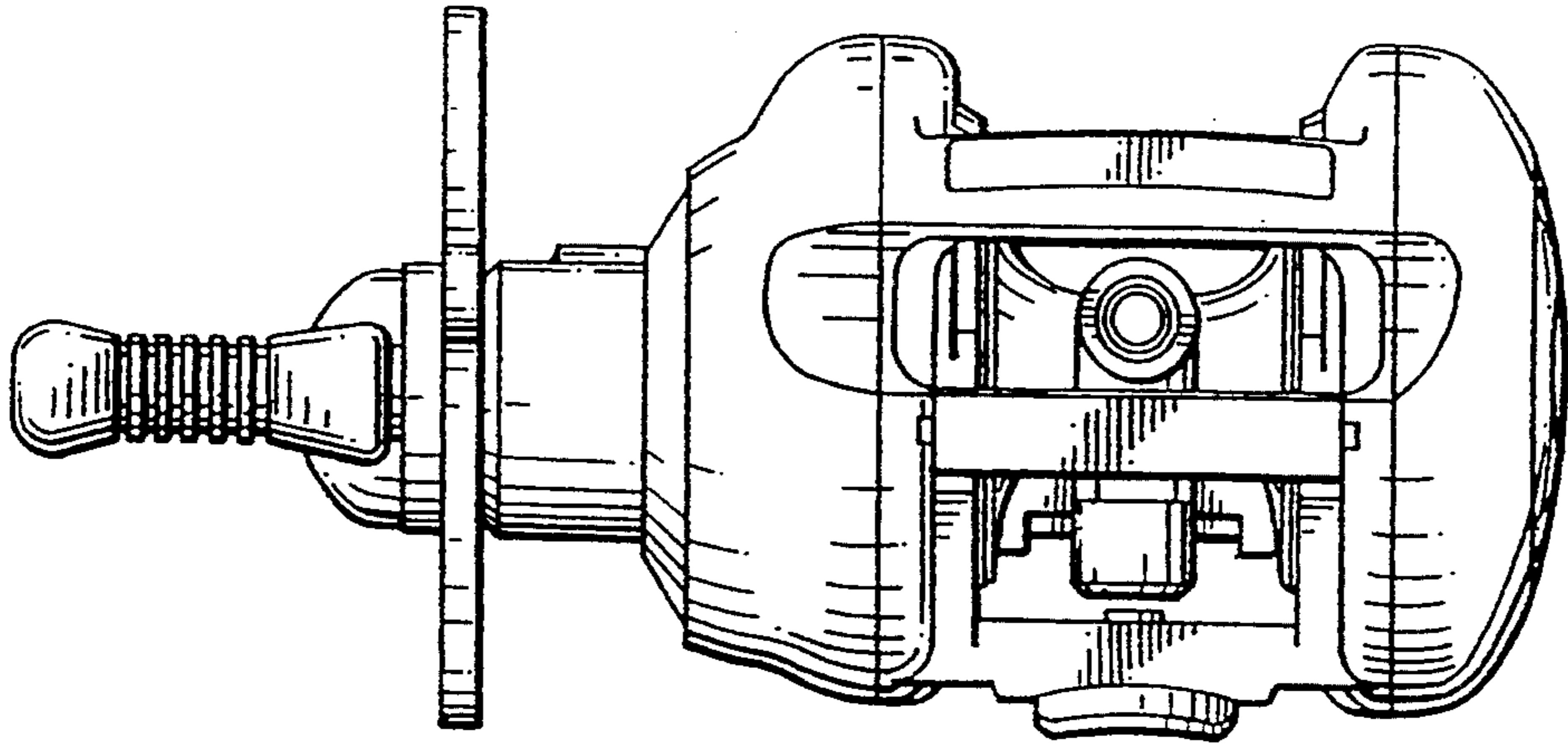


FIG. 1

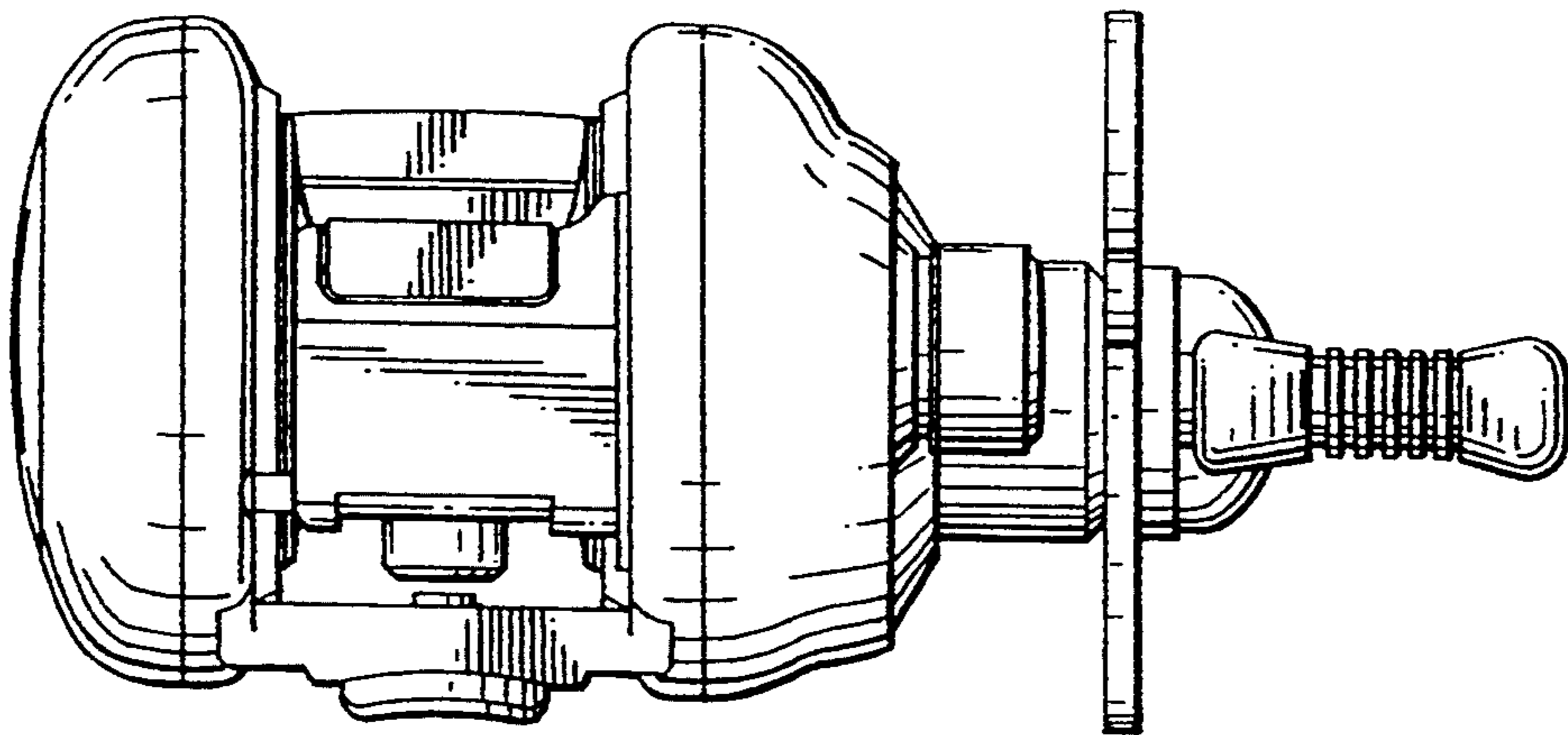


FIG. 2

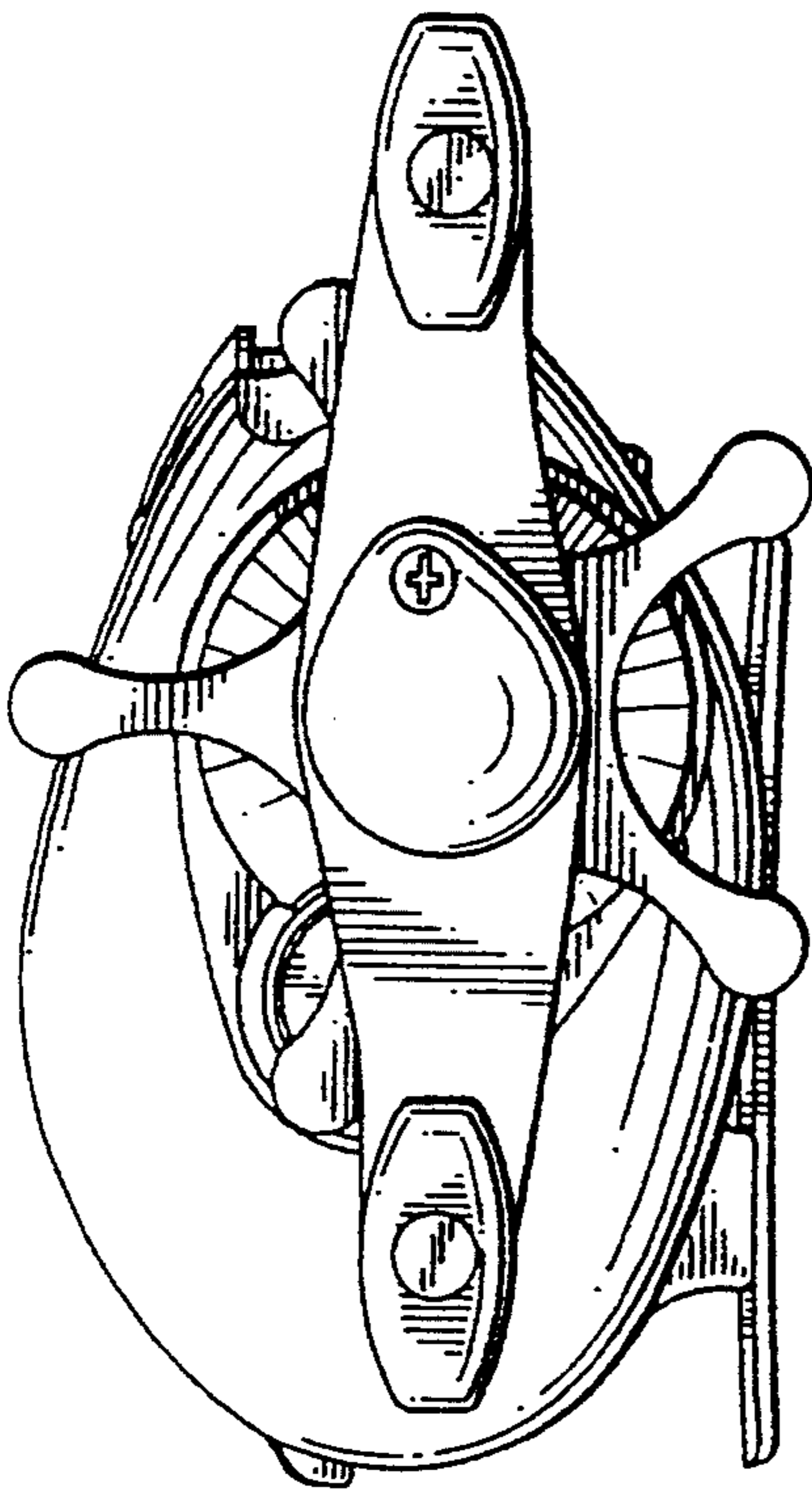


FIG. 3

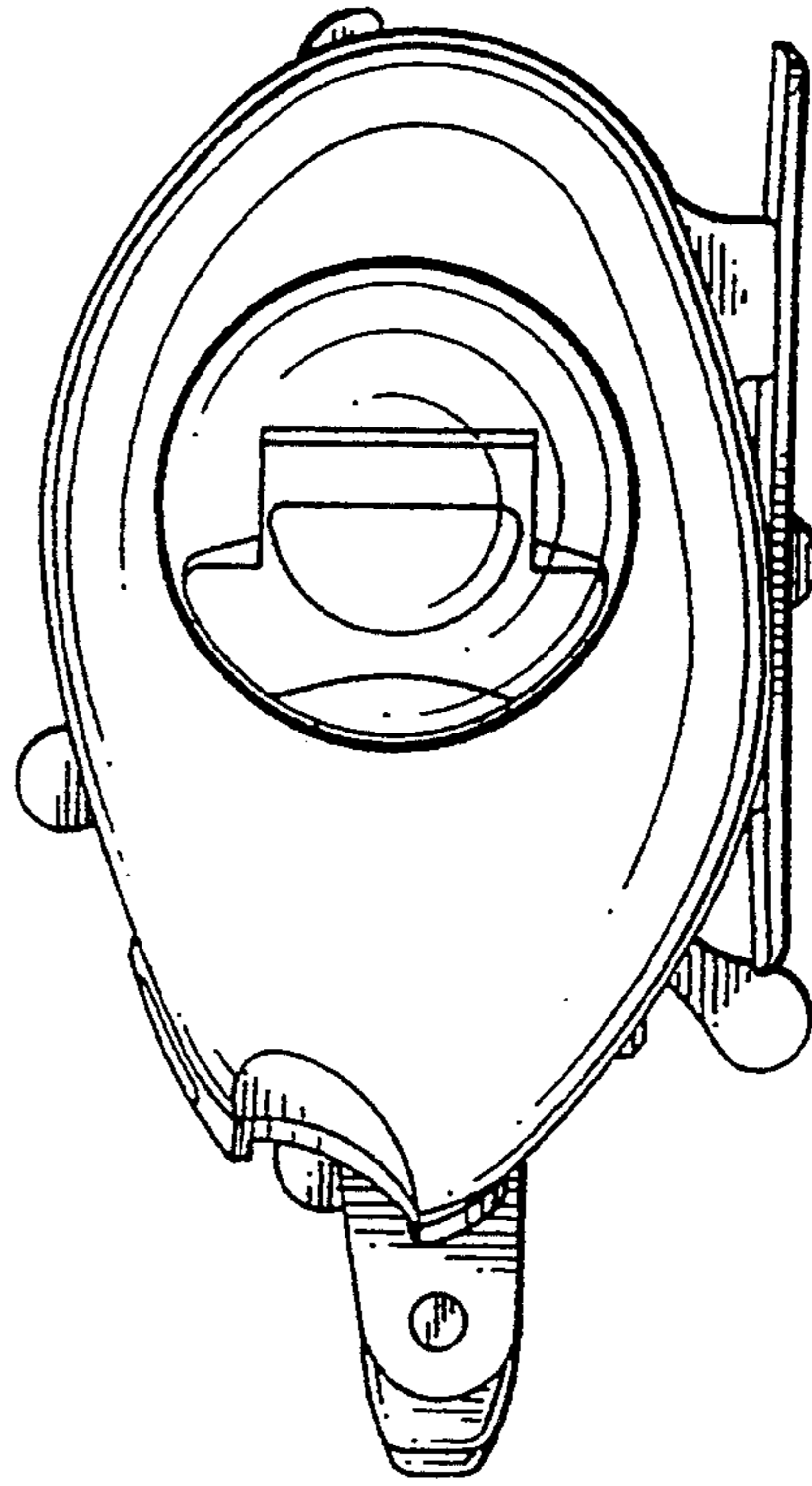


FIG. 4

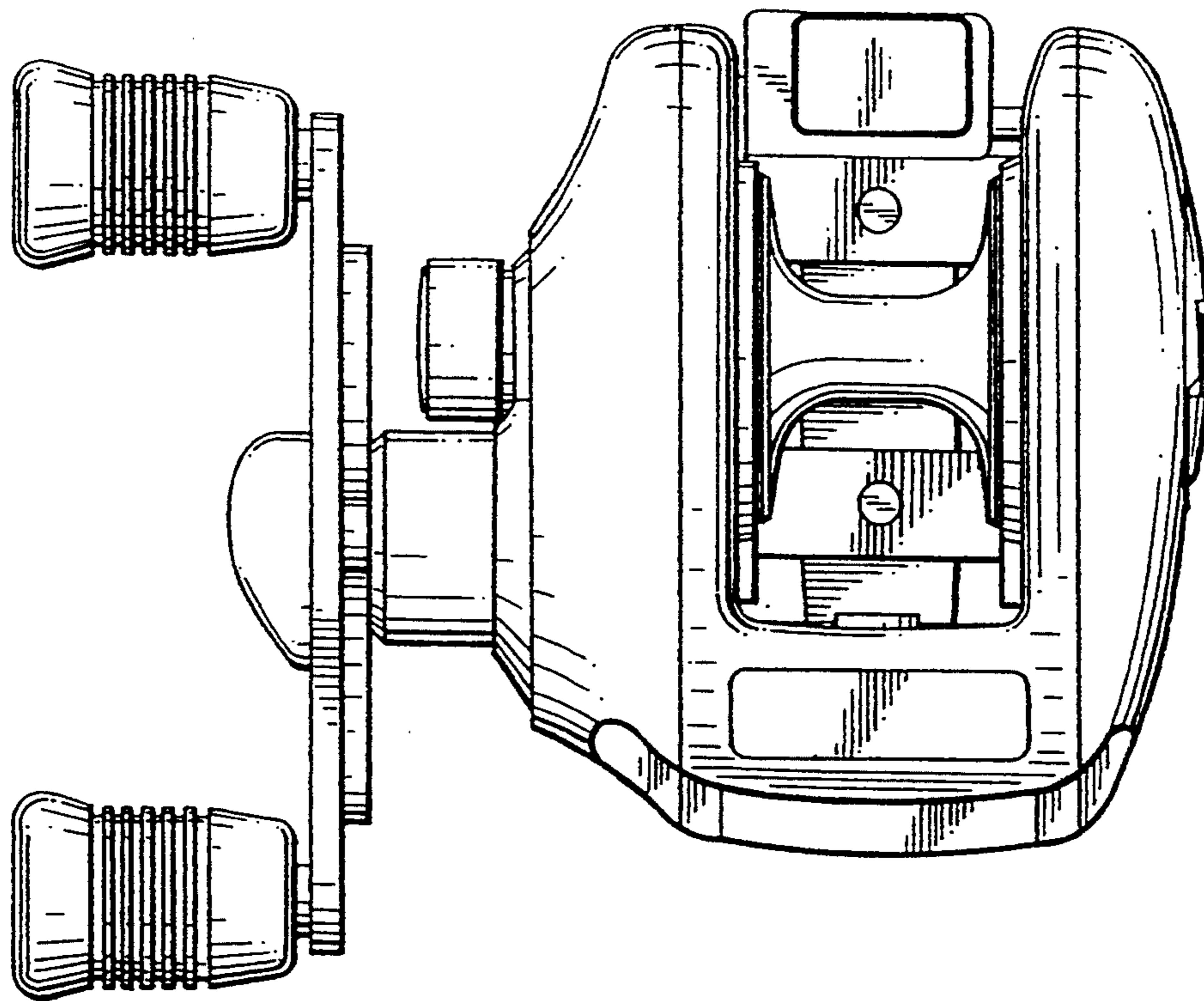


FIG. 5

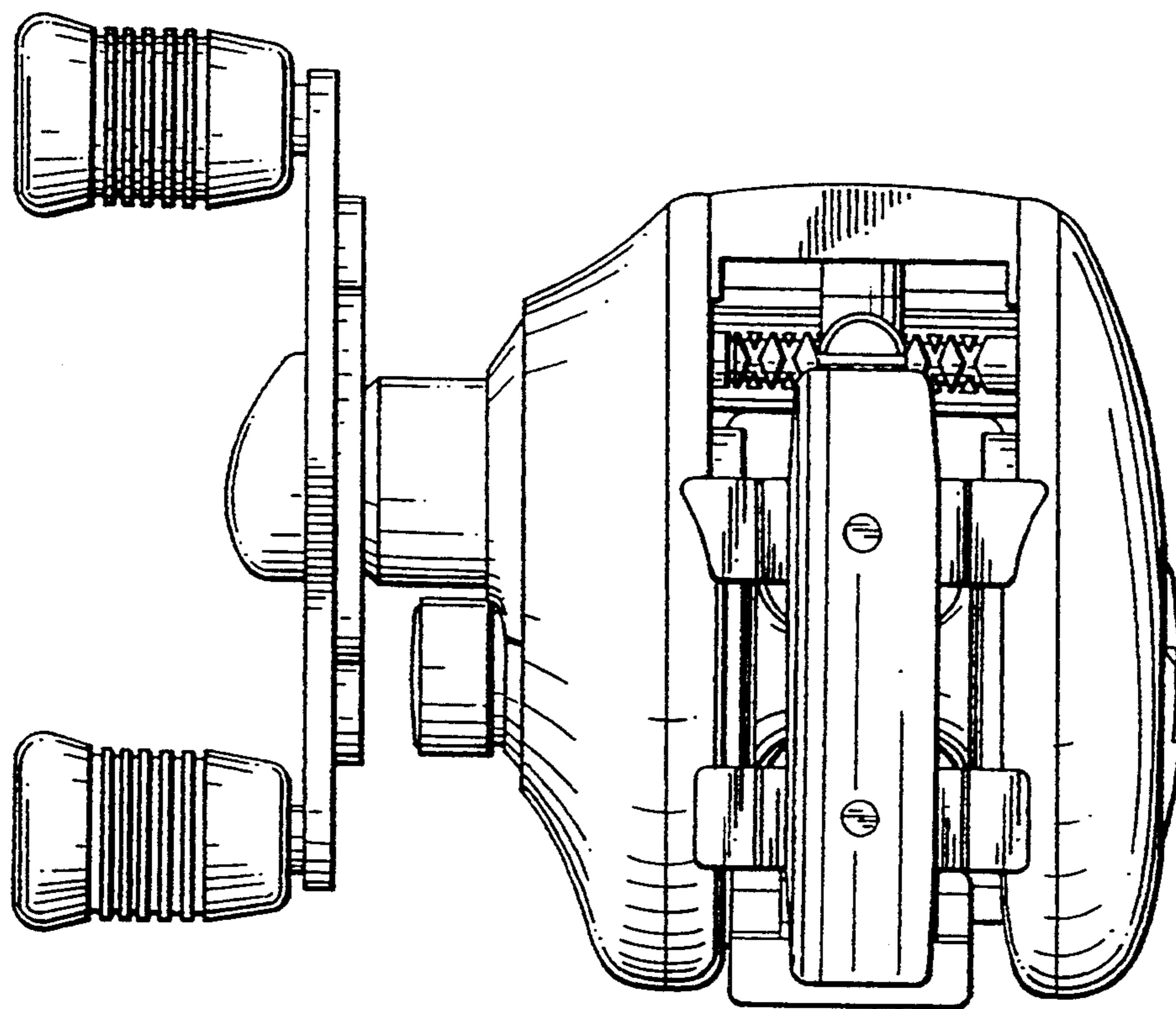


FIG. 6