



US00D353644S

United States Patent [19]

[11] Patent Number: **Des. 353,644**

Hirsch et al.

[45] Date of Patent: **** Dec. 20, 1994**

[54] GOLF CLUB HEAD

[56] References Cited

[75] Inventors: **Robert D. Hirsch**, Oceanside;
Richard J. Liesz, Cardiff; **Mark McClure**, Carlsbad; **Christopher Best**, Encinitas, all of Calif.

U.S. PATENT DOCUMENTS

D. 250,282 11/1978 Brigham, Jr. et al. D21/220
D. 338,938 8/1993 Fenton D21/220
5,290,032 3/1994 Fenton 273/167 F

[73] Assignee: **Cobra Golf Incorporated**, Carlsbad, Calif.

OTHER PUBLICATIONS

Golf Digest, Jul., 1990, p. 123, bottom, irons.

[**] Term: **14 Years**

Primary Examiner—Melvin B. Feifer
Attorney, Agent, or Firm—Brown, Martin, Haller & McClain

[21] Appl. No.: **12,690**

[57] CLAIM

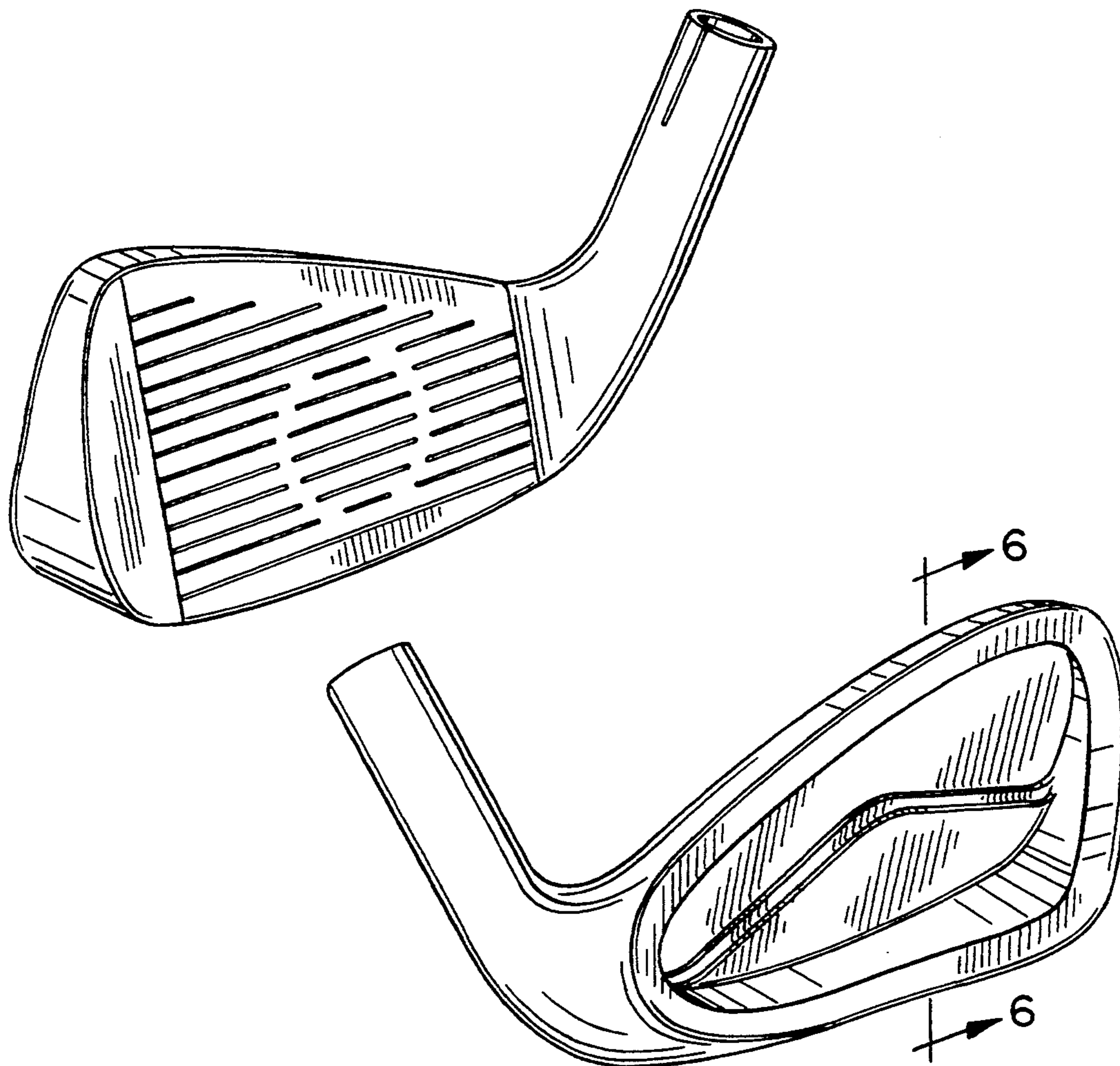
The ornamental design for a golf club head, as shown.

[22] Filed: **Sep. 7, 1993**

DESCRIPTION

[52] U.S. Cl. **D21/220**
[58] Field of Search **273/167-175;**
D21/214-220

FIG. 1 is a perspective view from the front of a golf club head, showing our new design;
FIG. 2 is a perspective view from the rear thereof;
FIG. 3 is an end elevational view thereof;
FIG. 4 is a bottom plan view thereof; and,
FIG. 5 is a top plan view thereof.



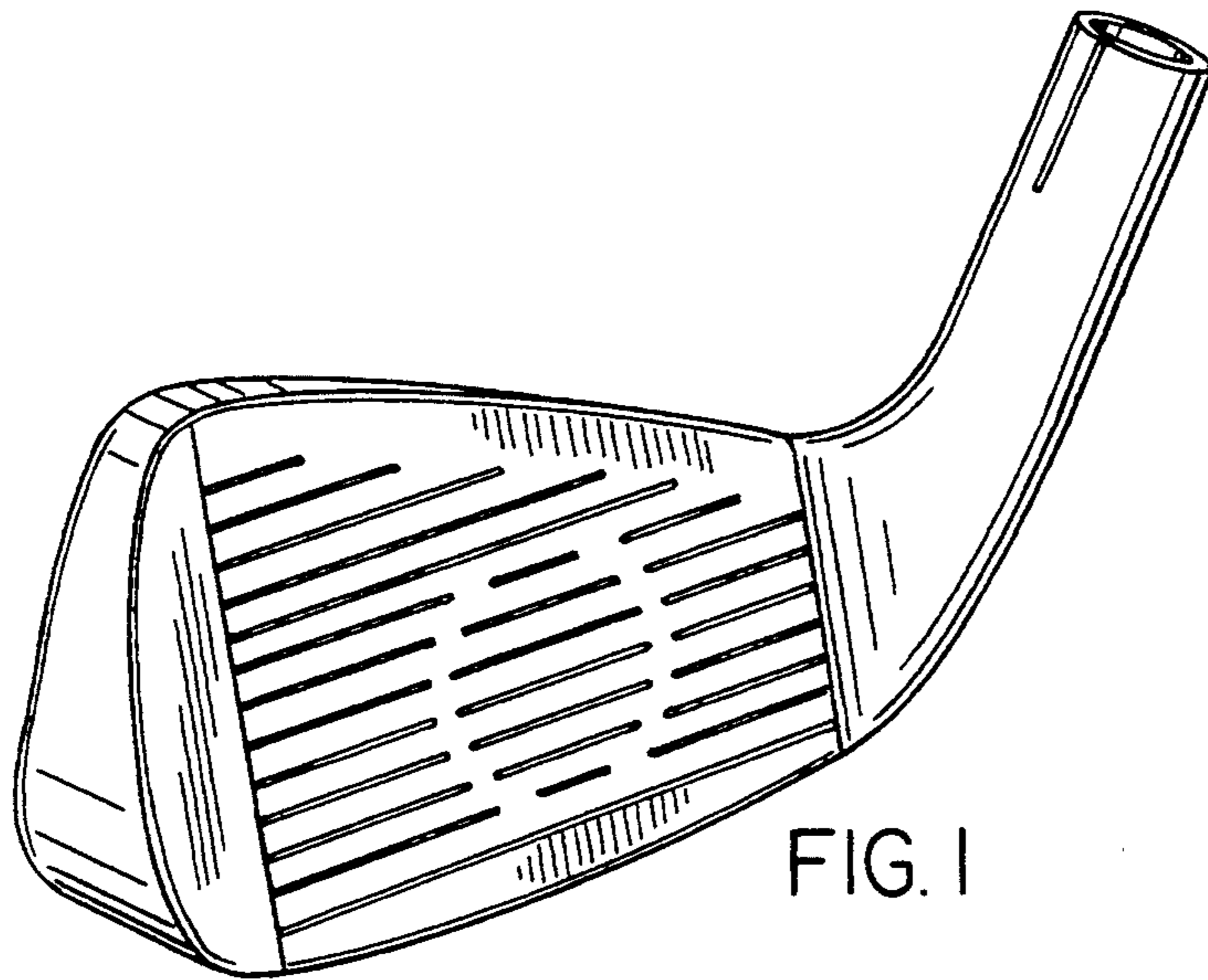


FIG. 1

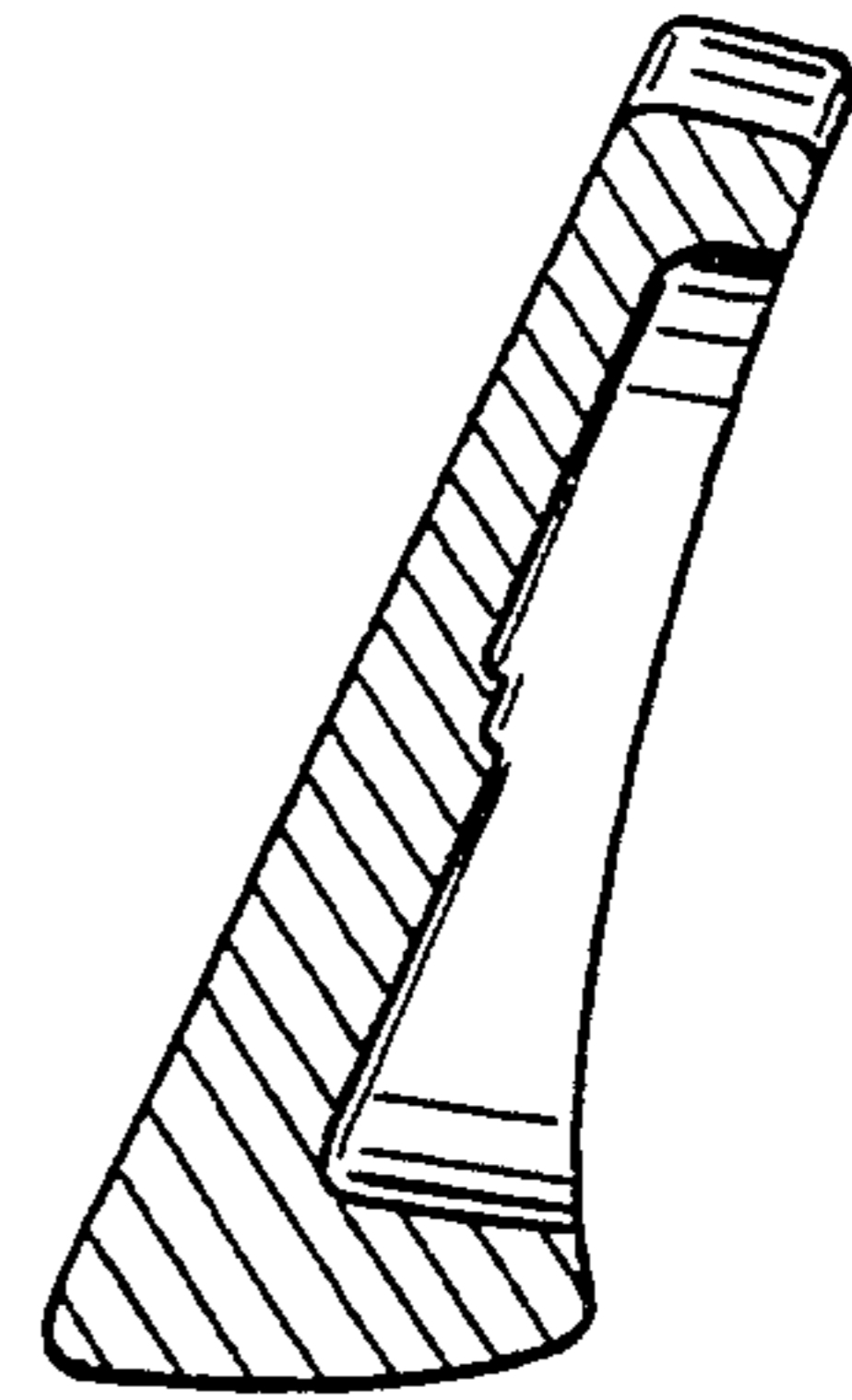


FIG. 6

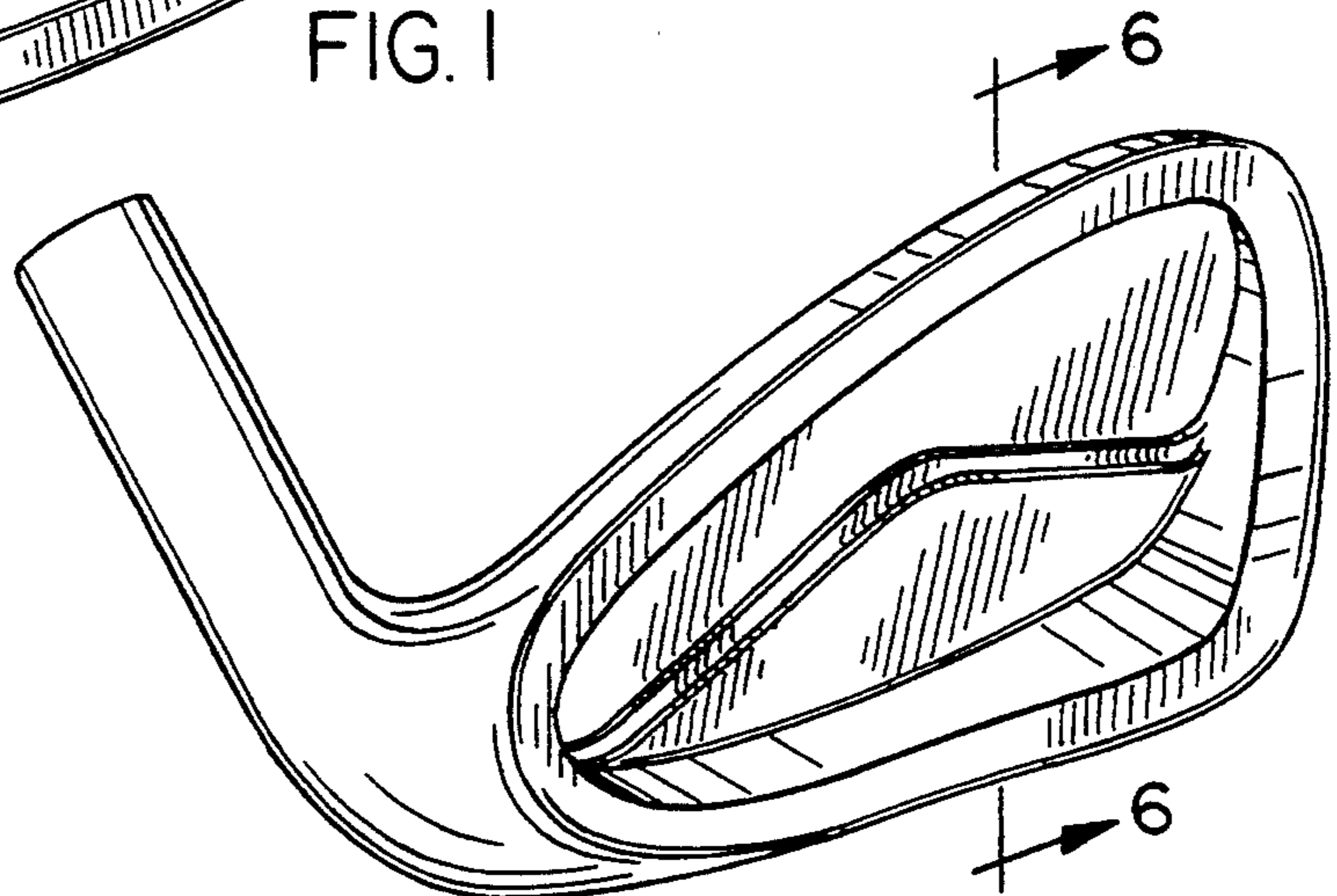


FIG. 2

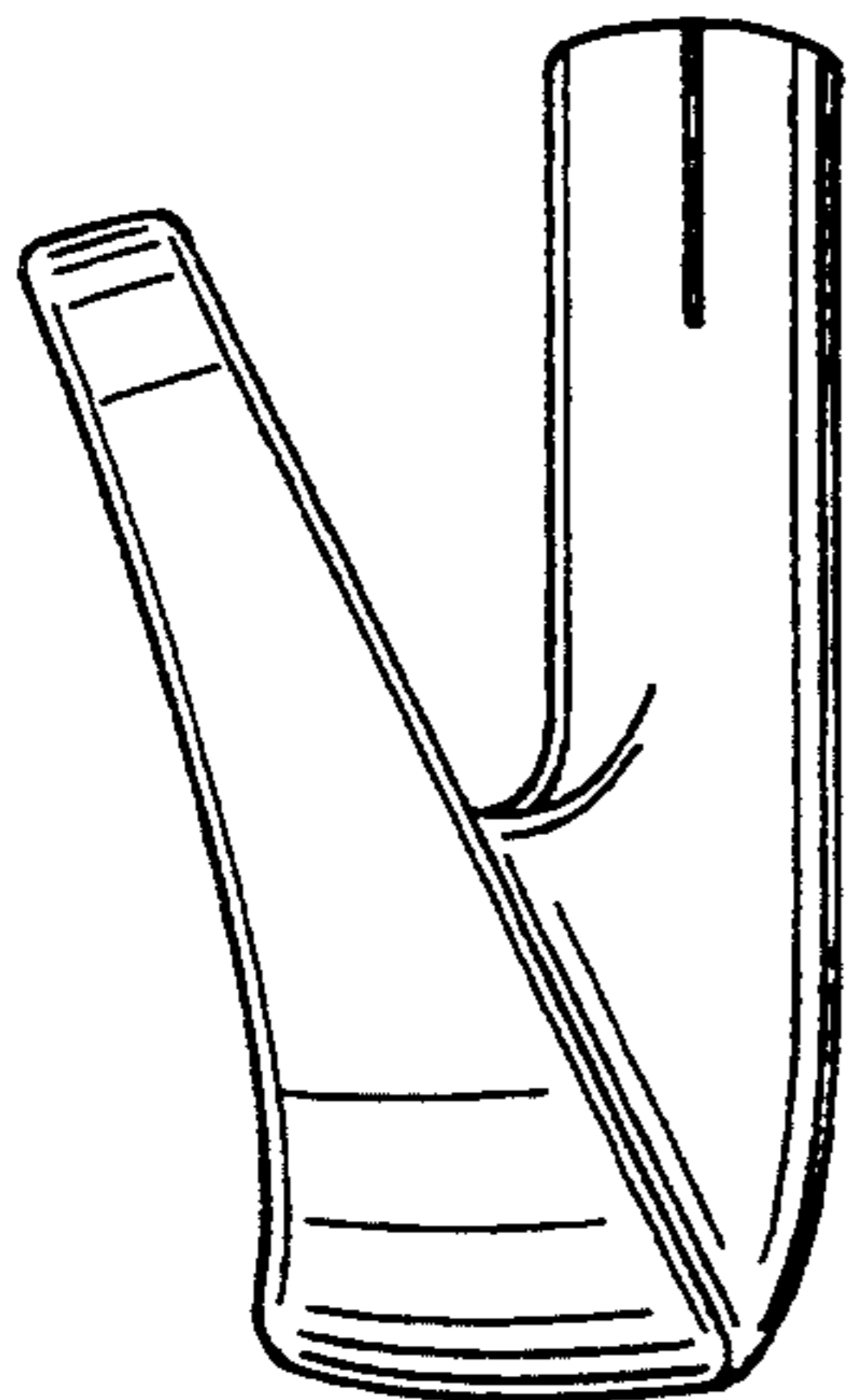


FIG. 3

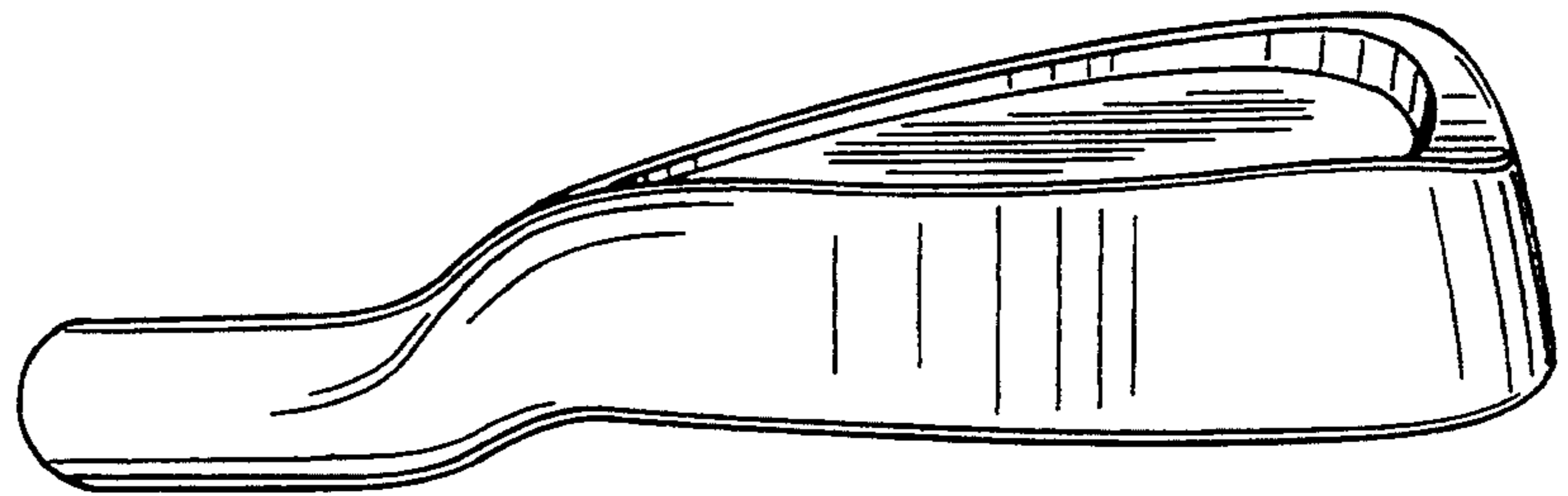


FIG. 4

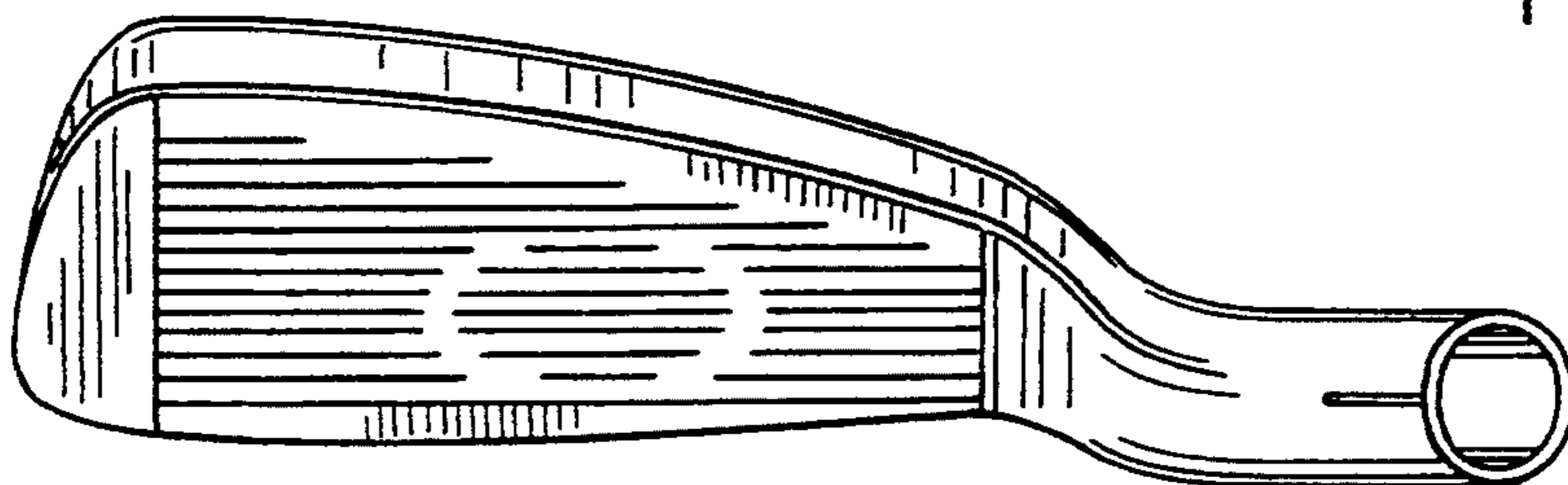


FIG. 5