



US00D353643S

United States Patent [19]
Shipley

[11] **Patent Number: Des. 353,643**
[45] **Date of Patent: ** Dec. 20, 1994**

[54] **FLY FISHING REEL**
[76] **Inventor: Fred F. Shipley, 21550 NE. Kings Grade Rd., Newberg, Oreg. 97132**
[**] **Term: 14 Years**
[21] **Appl. No.: 896,753**
[22] **Filed: Jun. 10, 1992**
[52] **U.S. Cl. D22/140; D22/137**
[58] **Field of Search 242/295, 317, 307, 283, 242/318, 319, 320, 321, 322; D22/137, 140**

5,120,003 6/1992 Sacconi 242/317

Primary Examiner—A. Hugo Word
Assistant Examiner—Doris V. Coles
Attorney, Agent, or Firm—Kolisch, Hartwell, Dickinson, McCormack & Heuser

[57] **CLAIM**

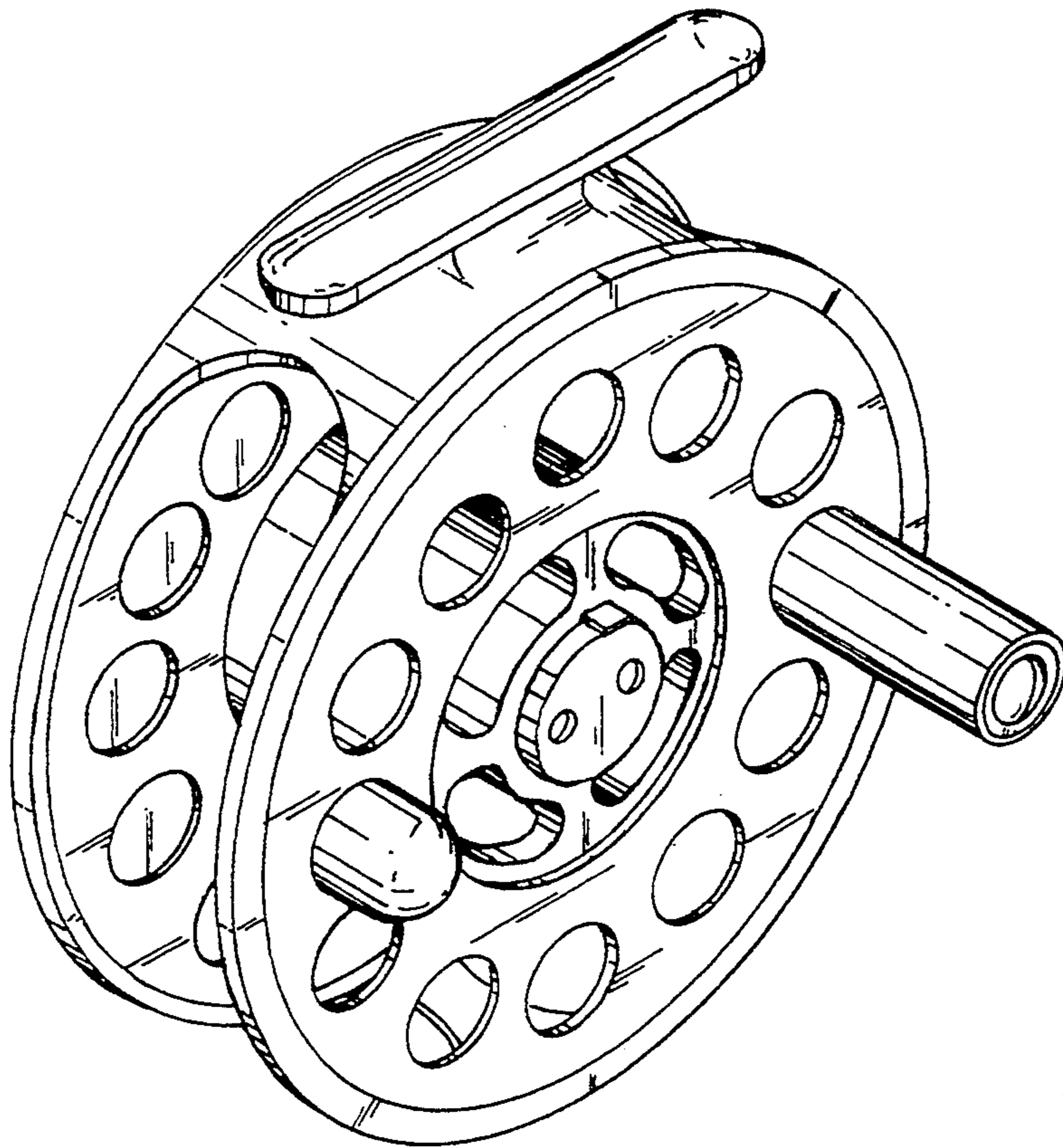
The ornamental design for fly fishing reel, as shown and described.

DESCRIPTION

FIG. 1 is a top, front perspective view of a fly fishing reel, showing my new design;
FIG. 2 is a top, rear perspective view therefore;
FIG. 3 is a bottom plan view thereof;
FIG. 4 is a top plan view thereof;
FIG. 5 is a right side elevational view thereof;
FIG. 6 is a left side elevational view thereof;
FIG. 7 is a rear elevational view thereof; and,
FIG. 8 is a front elevational view thereof.

[56] **References Cited**
U.S. PATENT DOCUMENTS

128,137	6/1872	Fowler	242/317
D. 240,423	7/1976	Oberg	D22/140
3,526,370	9/1970	Arsenault	242/295 X
4,703,902	11/1987	Prouza et al.	242/317 X
4,883,238	11/1989	Harder	242/317



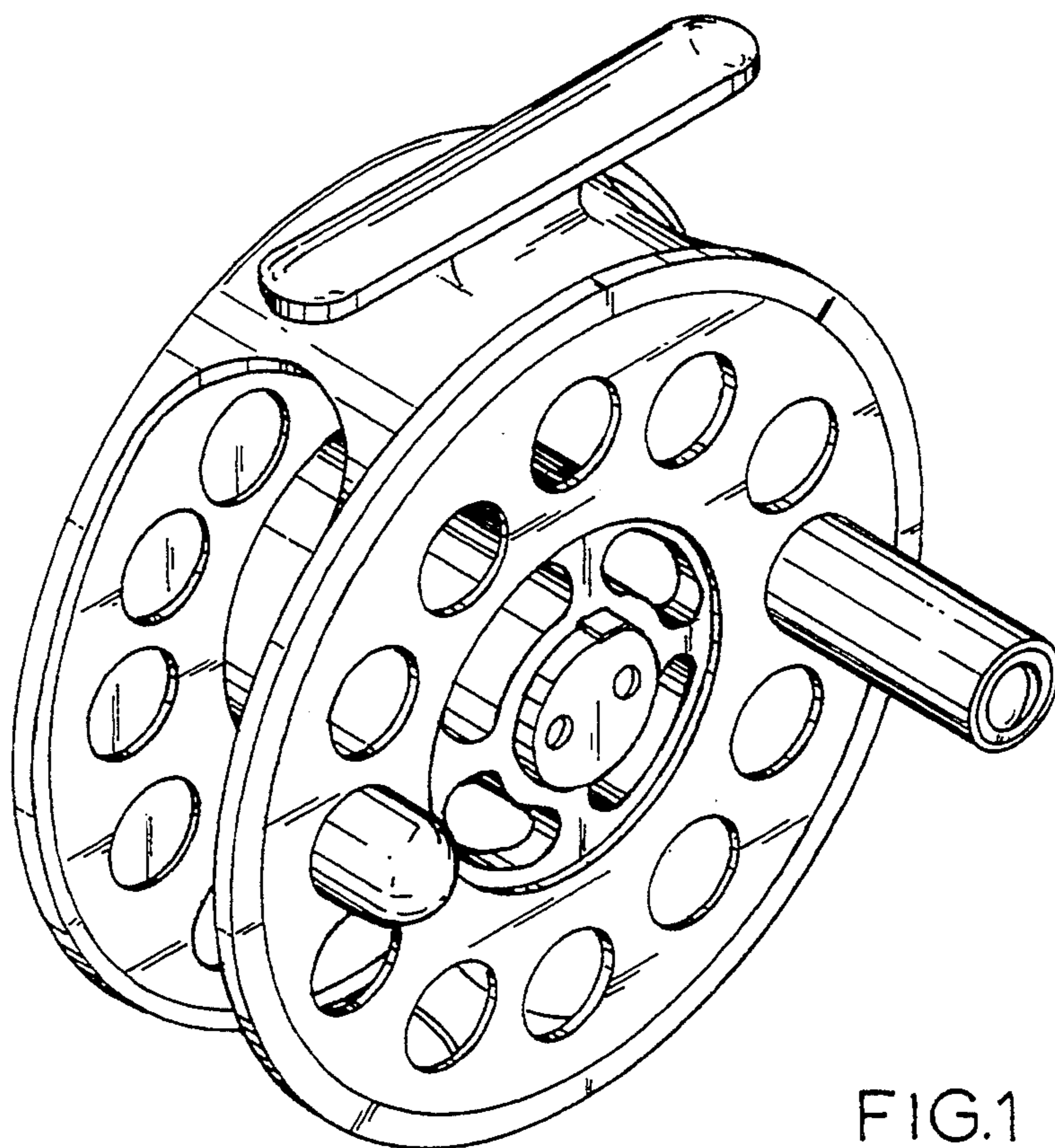


FIG. 1

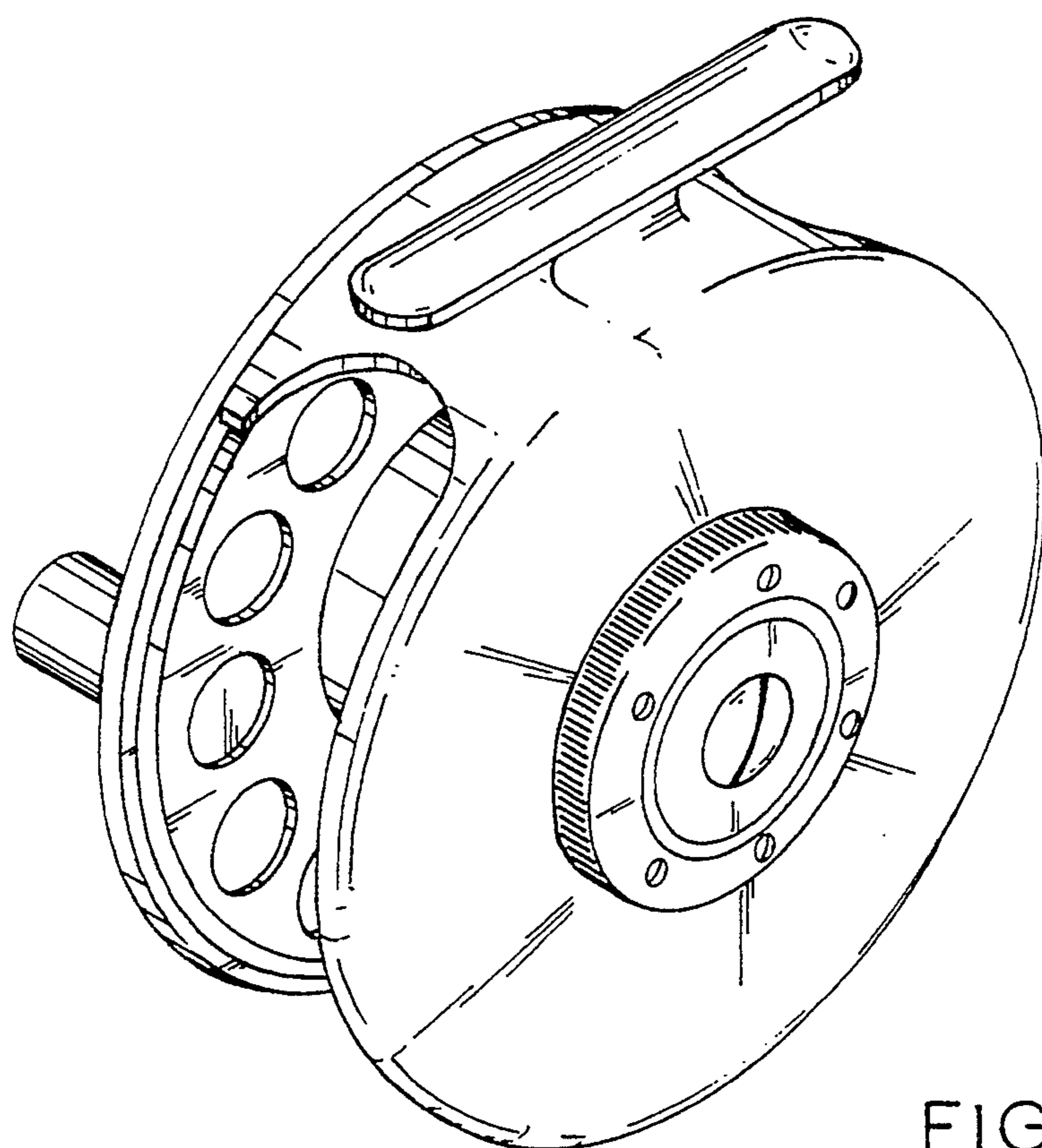


FIG. 2

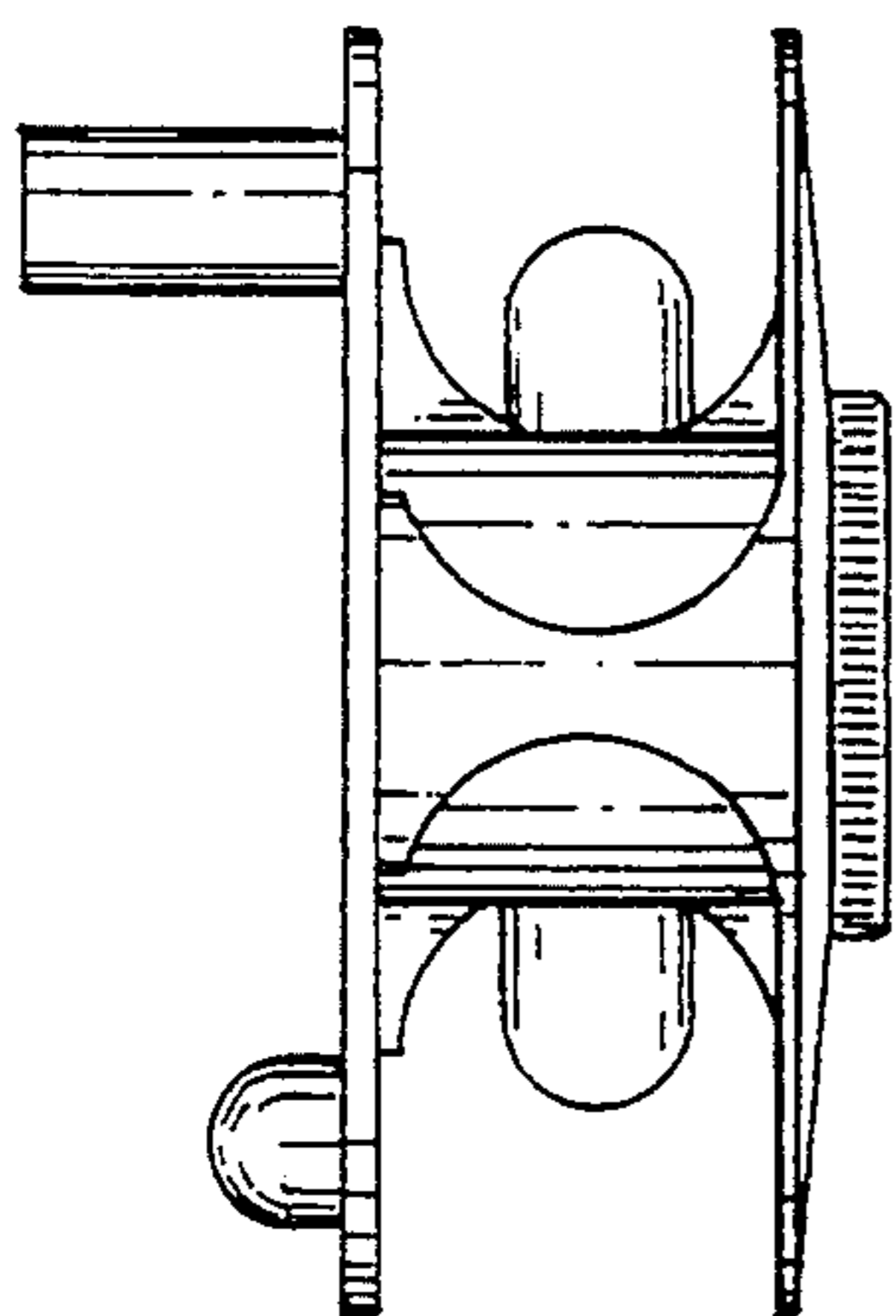


FIG. 3

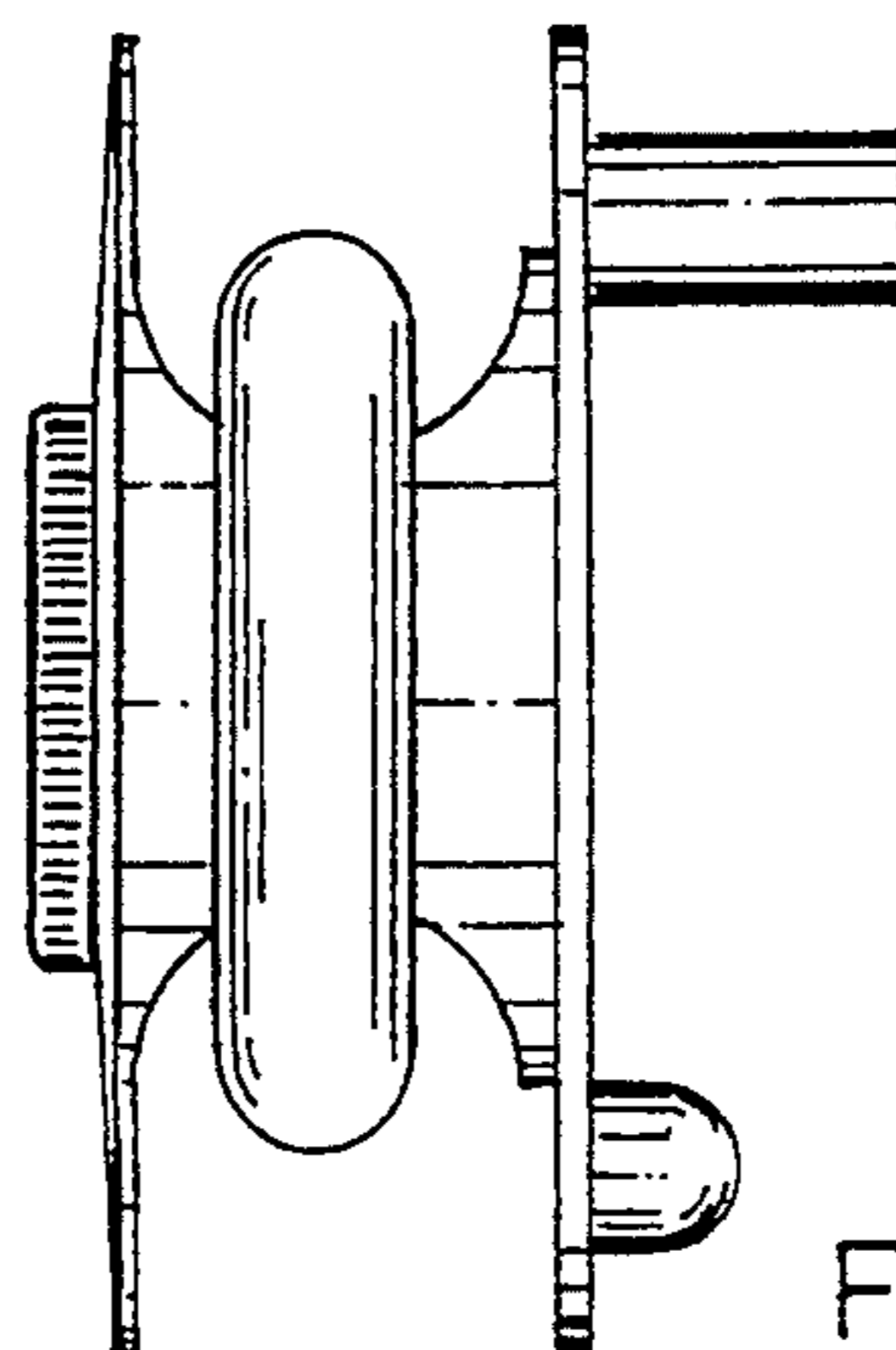


FIG. 4

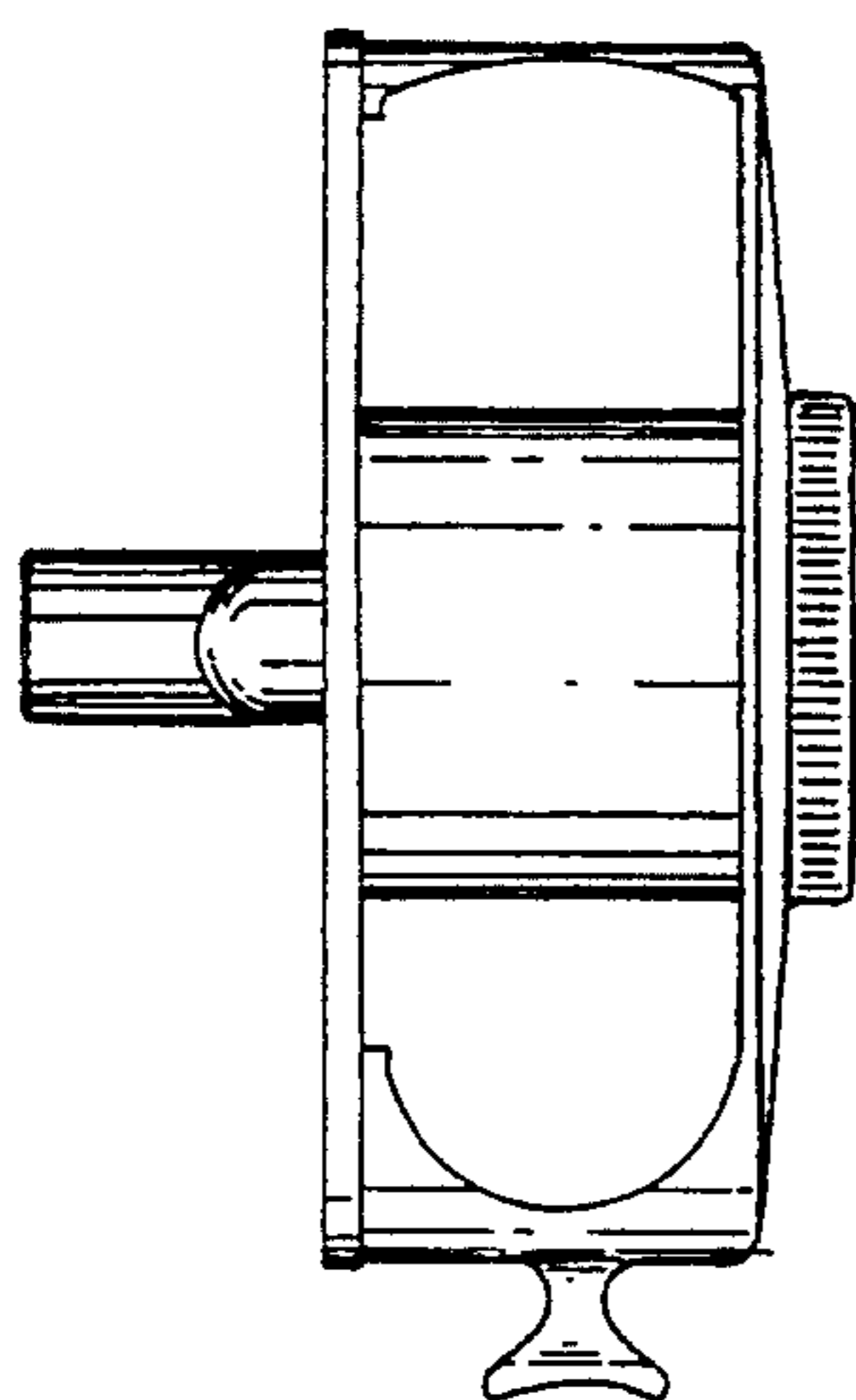


FIG. 5

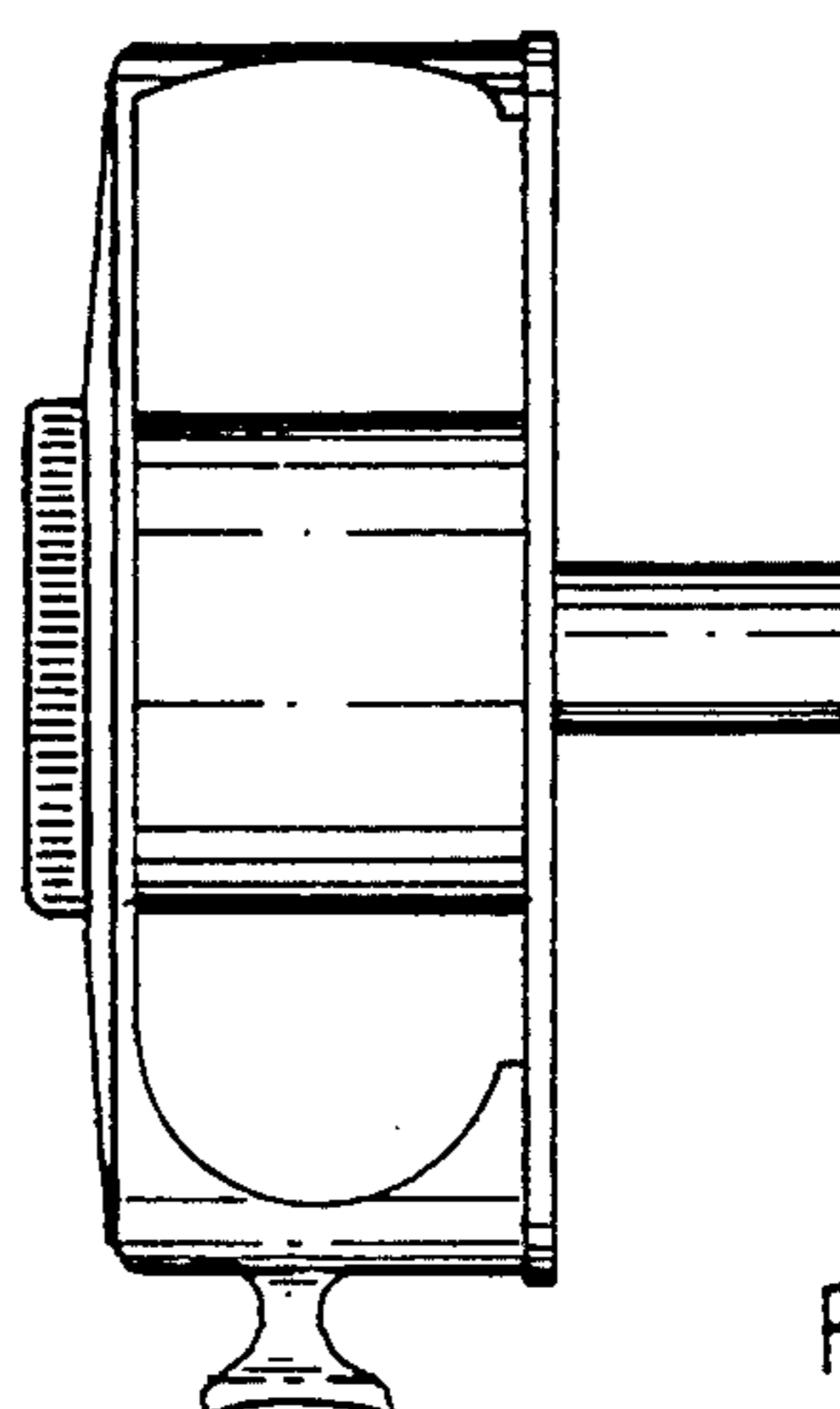


FIG. 6

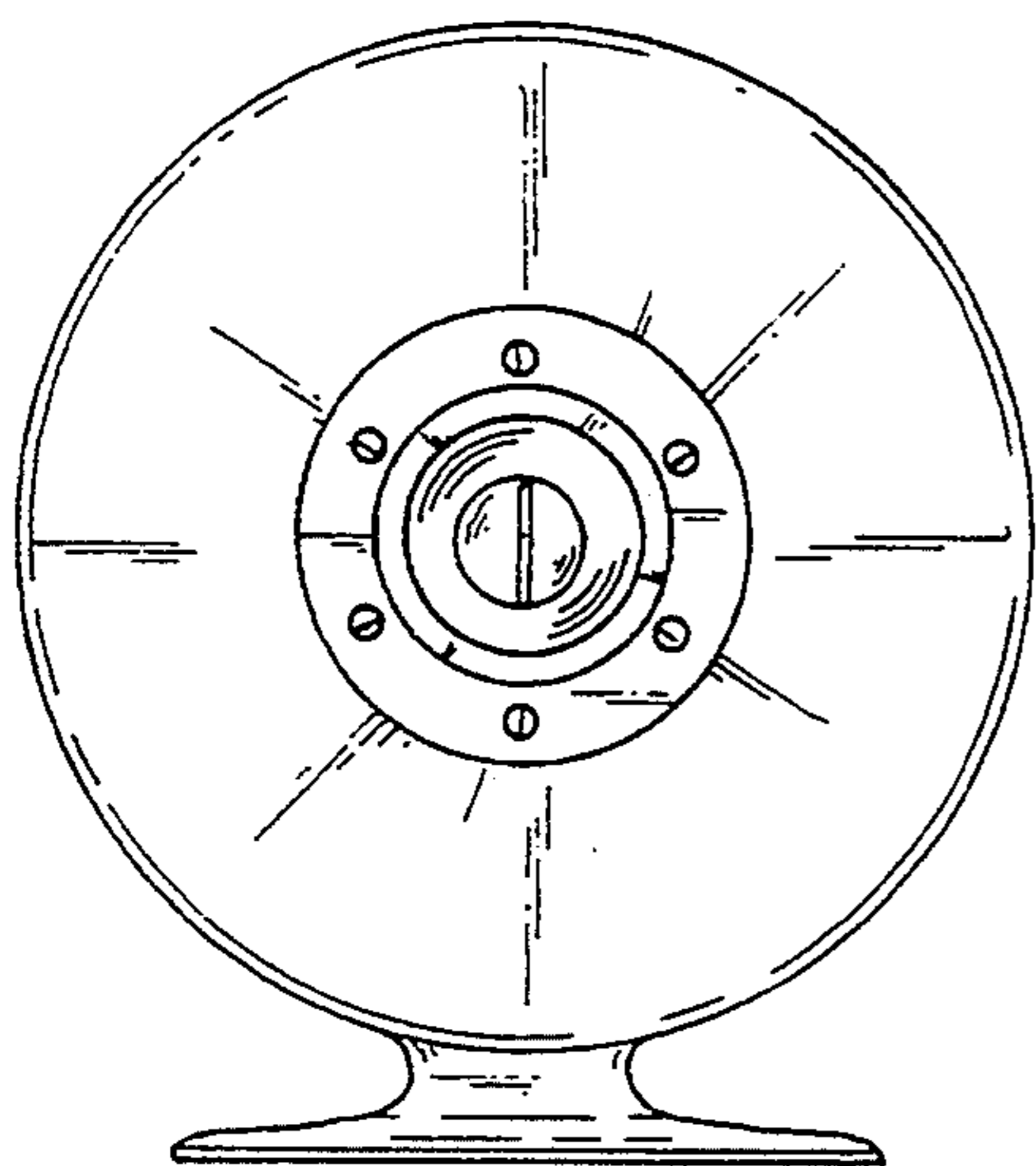


FIG. 7

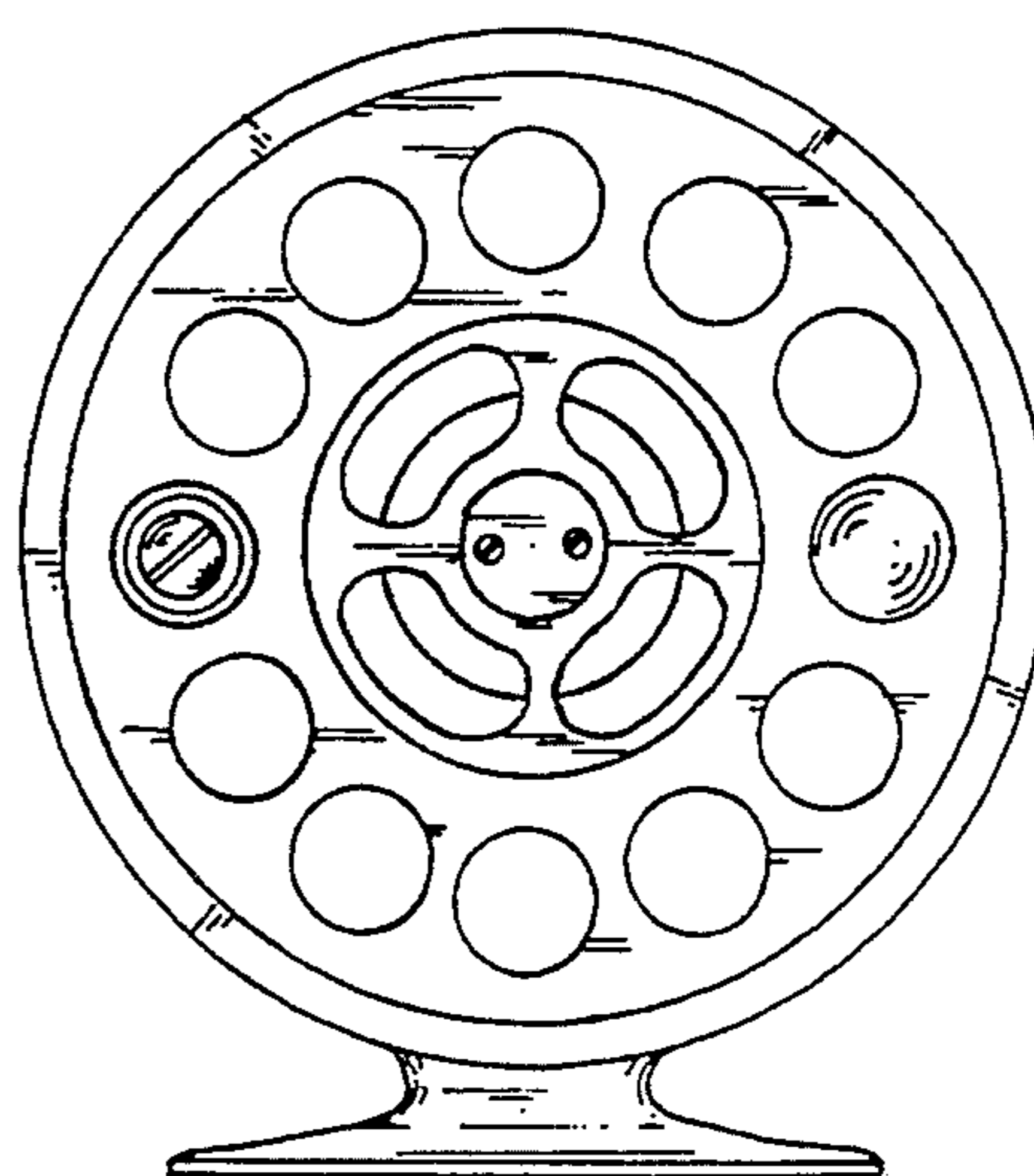


FIG. 8