



US00D353640S

United States Patent [19]

[11] Patent Number: Des. 353,640

Huang

[45] Date of Patent: ** Dec. 20, 1994

[54] **SWIVELING EXERCISE PLATFORM**

5,048,823 9/1991 Bean 482/146
5,256,127 10/1993 Yeh 482/146

[76] Inventor: **Ming-Chih Huang**, 11F, No. 46, Sec. 2, Chung Shan N. Road, Taipei, Taiwan, Prov. of China

Primary Examiner—Bernard Ansher
Assistant Examiner—Philip Hyder
Attorney, Agent, or Firm—Jacobson, Price, Holman & Stern

[**] Term: **14 Years**

[21] Appl. No.: **13,428**

[57] **CLAIM**

[22] Filed: **Sep. 24, 1993**

The ornamental design for a swiveling exercise platform, as shown and described.

[52] U.S. Cl. **D21/193**

[58] Field of Search 482/131, 146, 147, 148; D6/455; D21/191, 193

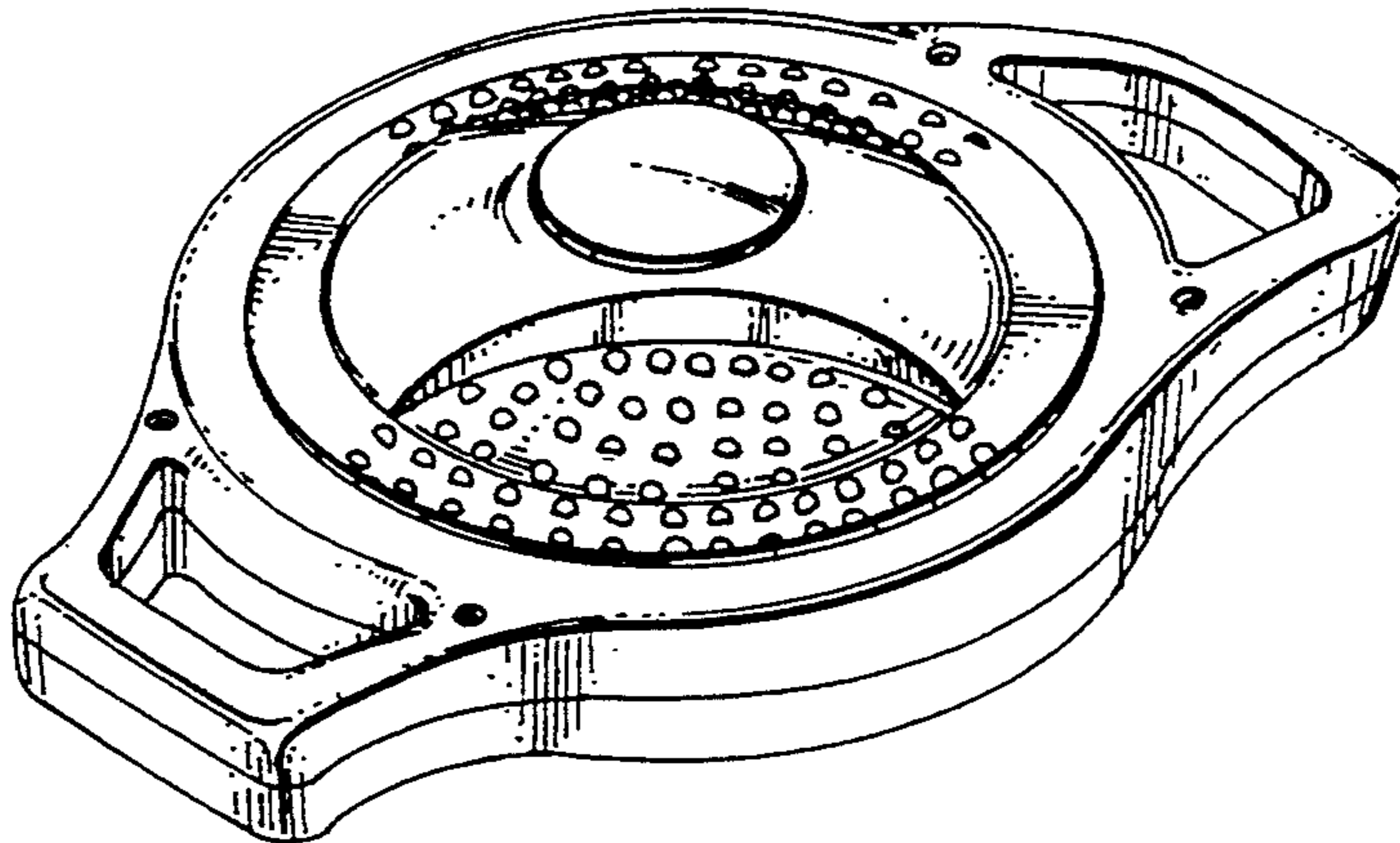
DESCRIPTION

[56] **References Cited**

U.S. PATENT DOCUMENTS

D. 241,863	10/1976	Friedl	D21/193
D. 275,411	9/1984	Silverston	D21/193
D. 276,062	10/1984	Dennis	D21/193
D. 339,619	9/1993	Bugnaski	D21/193
2,351,293	6/1944	Saunders	482/147

FIG. 1 is a front and top perspective view of a swiveling exercise platform showing my new design; FIG. 2 is a front elevational view thereof; FIG. 3 is a rear elevational view thereof; FIG. 4 is a left side elevational view thereof; FIG. 5 is a right side elevational view thereof; FIG. 6 is a top plan view thereof; and, FIG. 7 is a bottom plan view thereof.



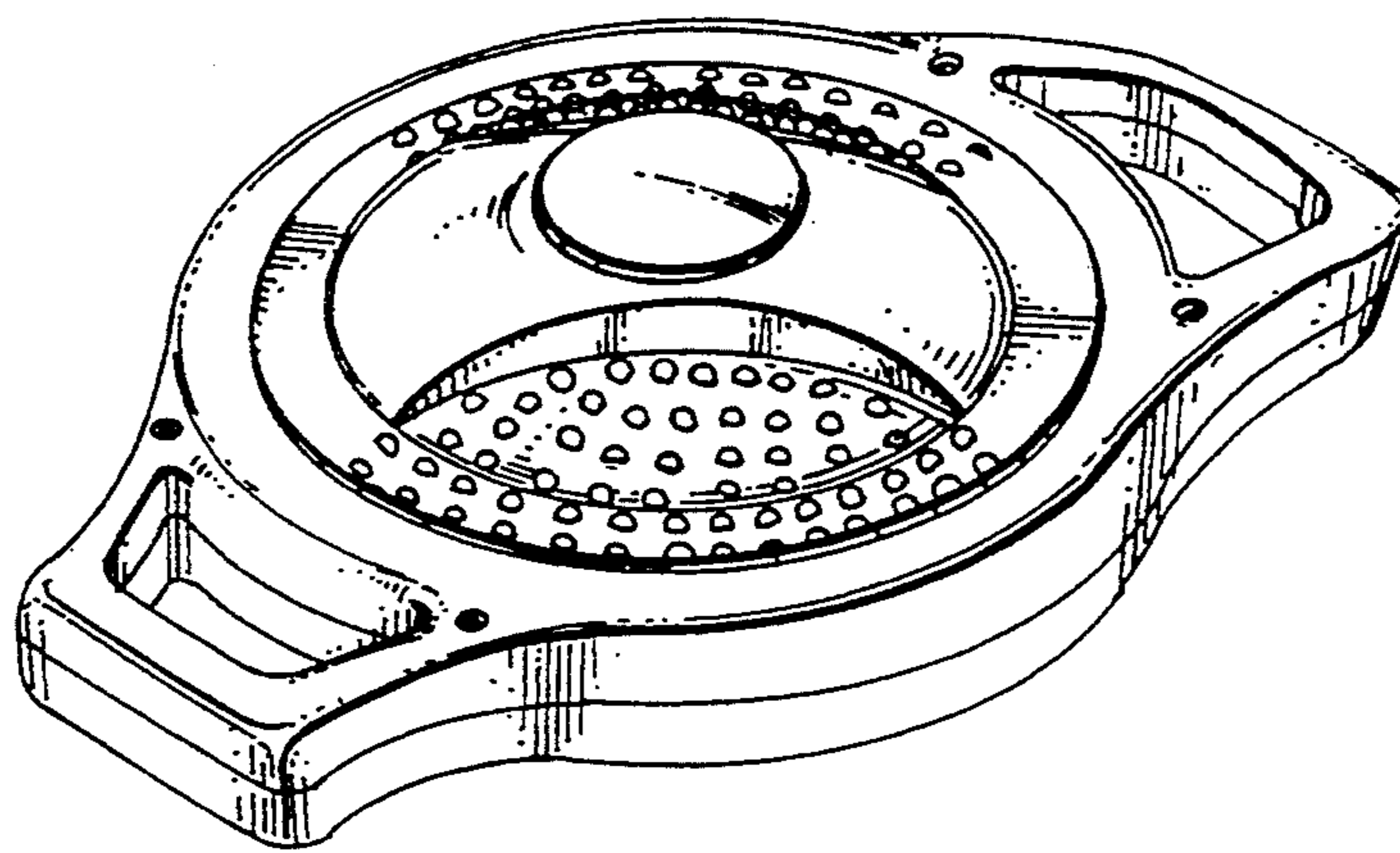


FIG1

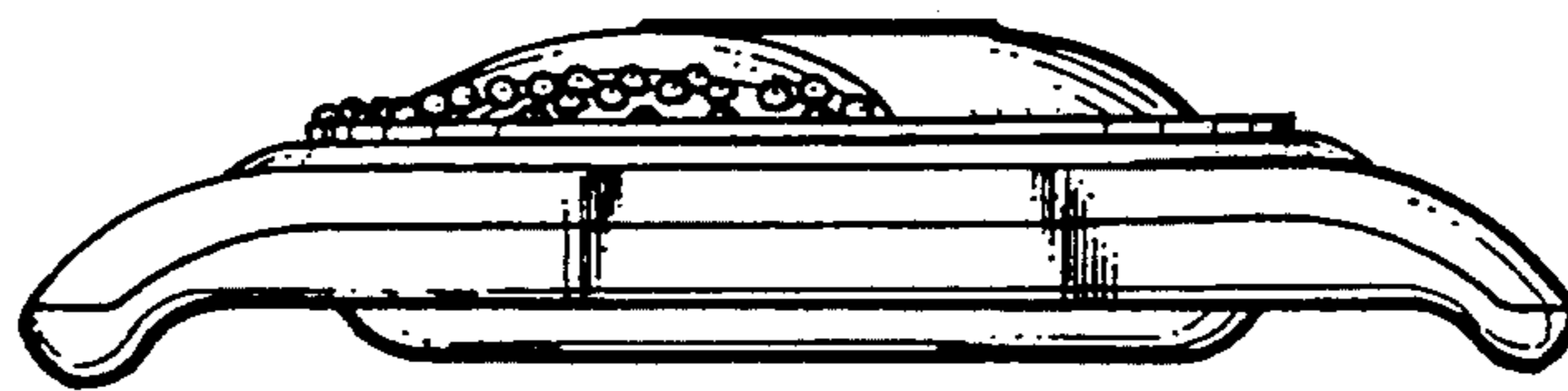


FIG 2

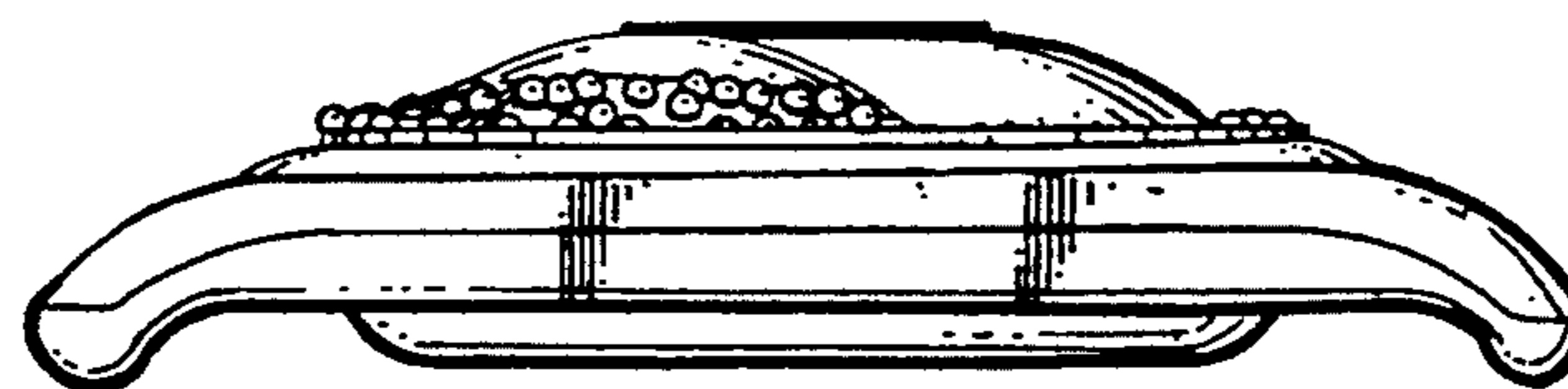


FIG 3

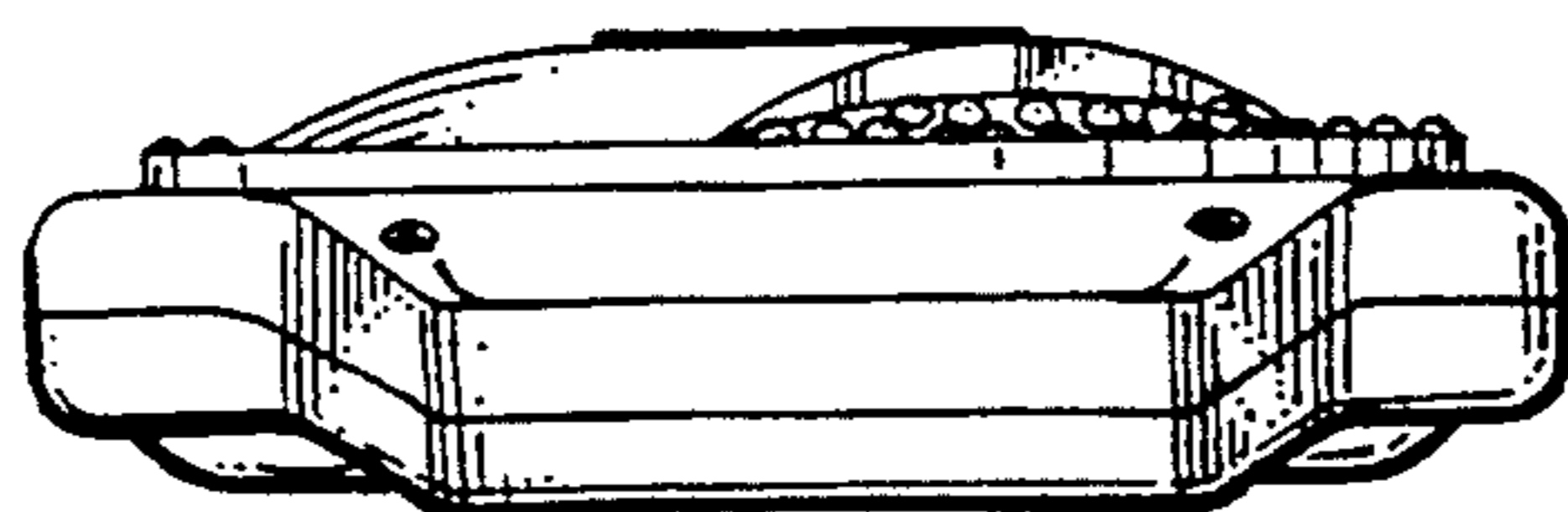


FIG 4

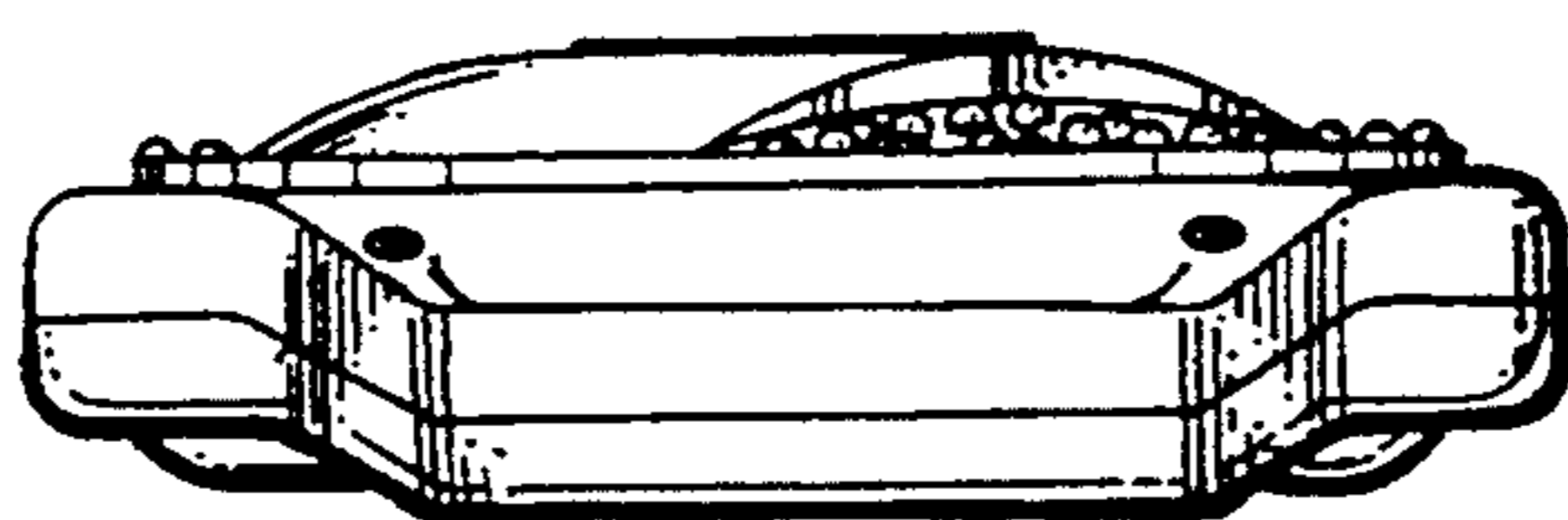


FIG 5

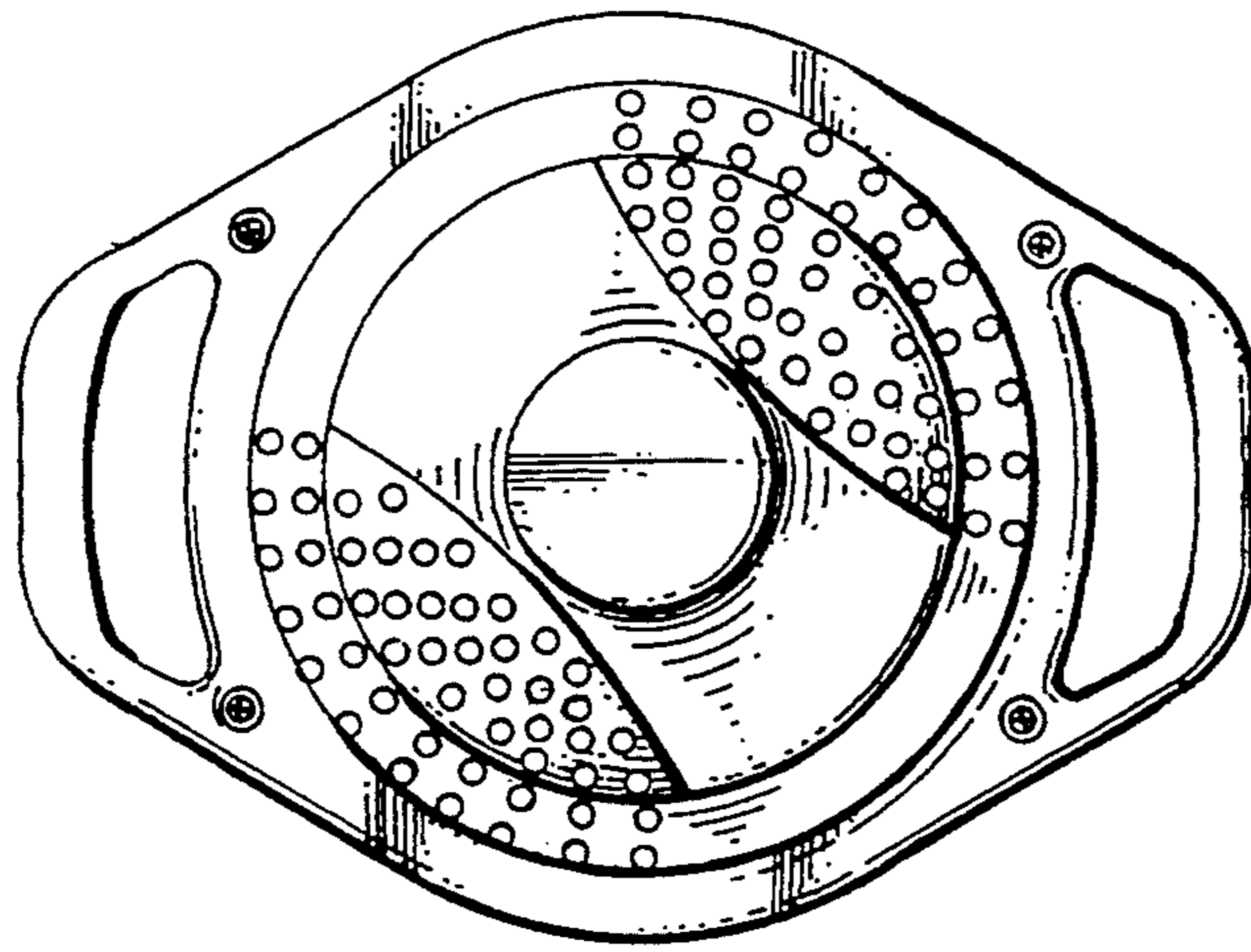


FIG 6

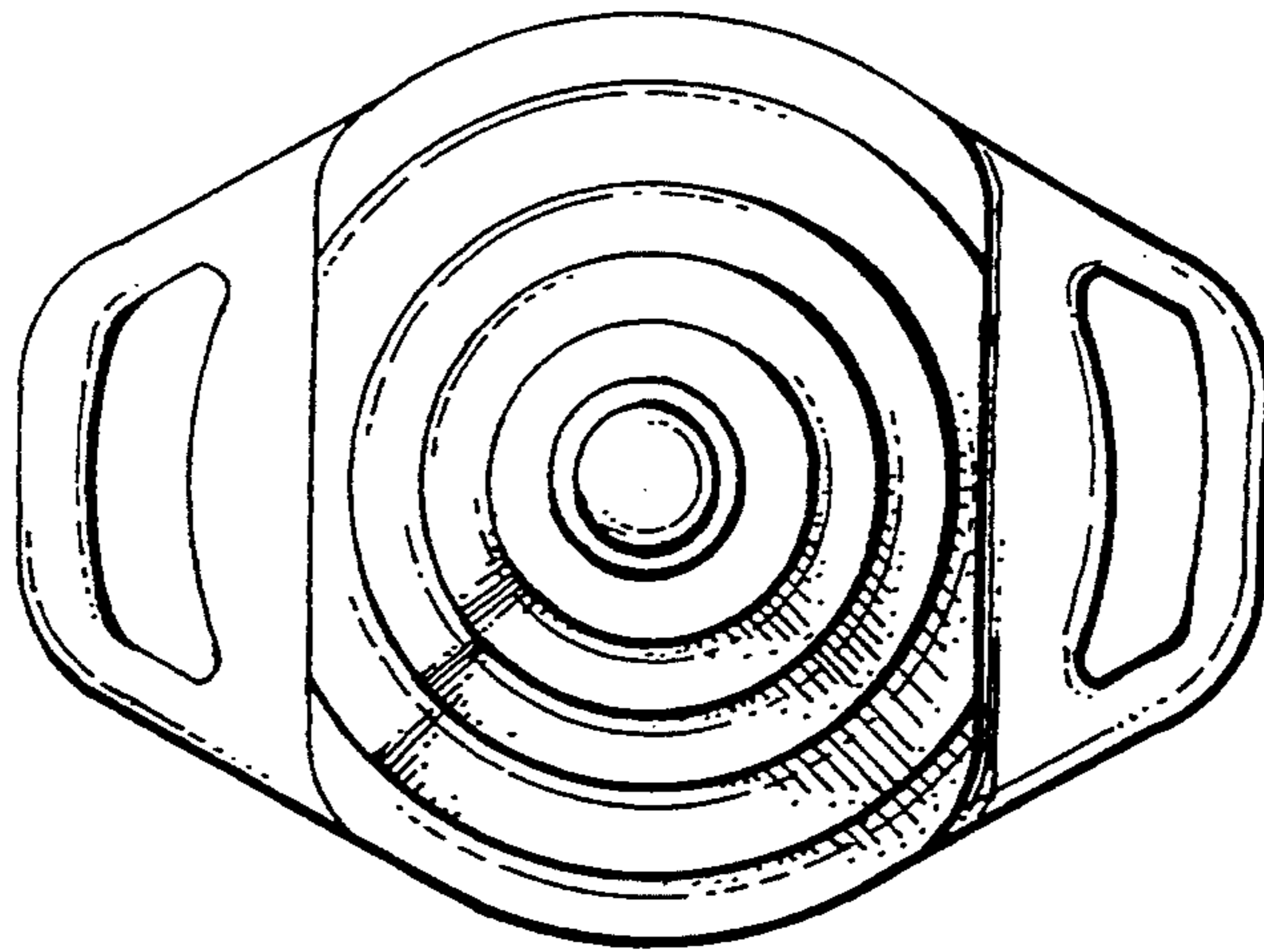


FIG 7