



US00D353638S

United States Patent [19]

[11] Patent Number: **Des. 353,638**

Camfield et al.

[45] Date of Patent: **** Dec. 20, 1994**

[54] **EXERCISE BICYCLE**

[75] Inventors: **David K. Camfield; Craig A. Topp,**
both of Olney, Ill.

[73] Assignee: **Roadmaster Corporation, Olney, Ill.**

[**] Term: **14 Years**

[21] Appl. No.: **9,633**

[22] Filed: **Jun. 17, 1993**

[52] U.S. Cl. **D21/194**

[58] Field of Search 482/57, 58, 59;
D21/191, 194, 195

4,824,102 4/1989 Lo 482/59
 4,850,587 7/1989 Lin 482/59
 4,852,872 8/1989 Lo 482/59
 4,880,225 11/1989 Lucas et al. 482/59
 4,932,649 6/1990 Chen 482/59
 4,961,569 10/1990 Roberge 482/59
 4,981,294 1/1991 Dalebout et al. 482/59
 5,016,870 5/1991 Bulloch et al. 482/59
 5,031,900 7/1991 Leask 482/59
 5,149,312 9/1992 Croft et al. 482/59

Primary Examiner—Melvin B. Feifer
Assistant Examiner—Philip Hyder
Attorney, Agent, or Firm—William Brinks Hofer Gilson & Lione

[56] **References Cited**
U.S. PATENT DOCUMENTS

D. 298,267 10/1988 Nakao et al. D21/194
 D. 305,677 1/1990 Beistegui D21/194
 D. 307,167 4/1990 Lucas et al. D21/194
 D. 318,505 7/1991 Gustafsson et al. D21/194
 D. 319,480 8/1991 Byrd et al. D21/194
 D. 319,675 9/1991 Byrd et al. D21/194
 D. 325,946 5/1992 Cesaroni et al. D21/194
 4,244,021 1/1981 Chiles, III 482/59
 4,509,742 4/1985 Cones 482/59
 4,558,861 12/1985 Gall 482/59
 4,786,049 11/1988 Lautenschlager 482/59

[57] **CLAIM**
 The ornamental design for an exercise bicycle, as shown.

DESCRIPTION

FIG. 1 is a left, front perspective view of an exercise bicycle showing the new design;
 FIG. 2 is a left side elevational view thereof;
 FIG. 3 is a right side elevational view thereof;
 FIG. 4 is a front elevational view thereof;
 FIG. 5 is a rear elevational view thereof;
 FIG. 6 is a top plan view thereof; and,
 FIG. 7 is a bottom plan view thereof.

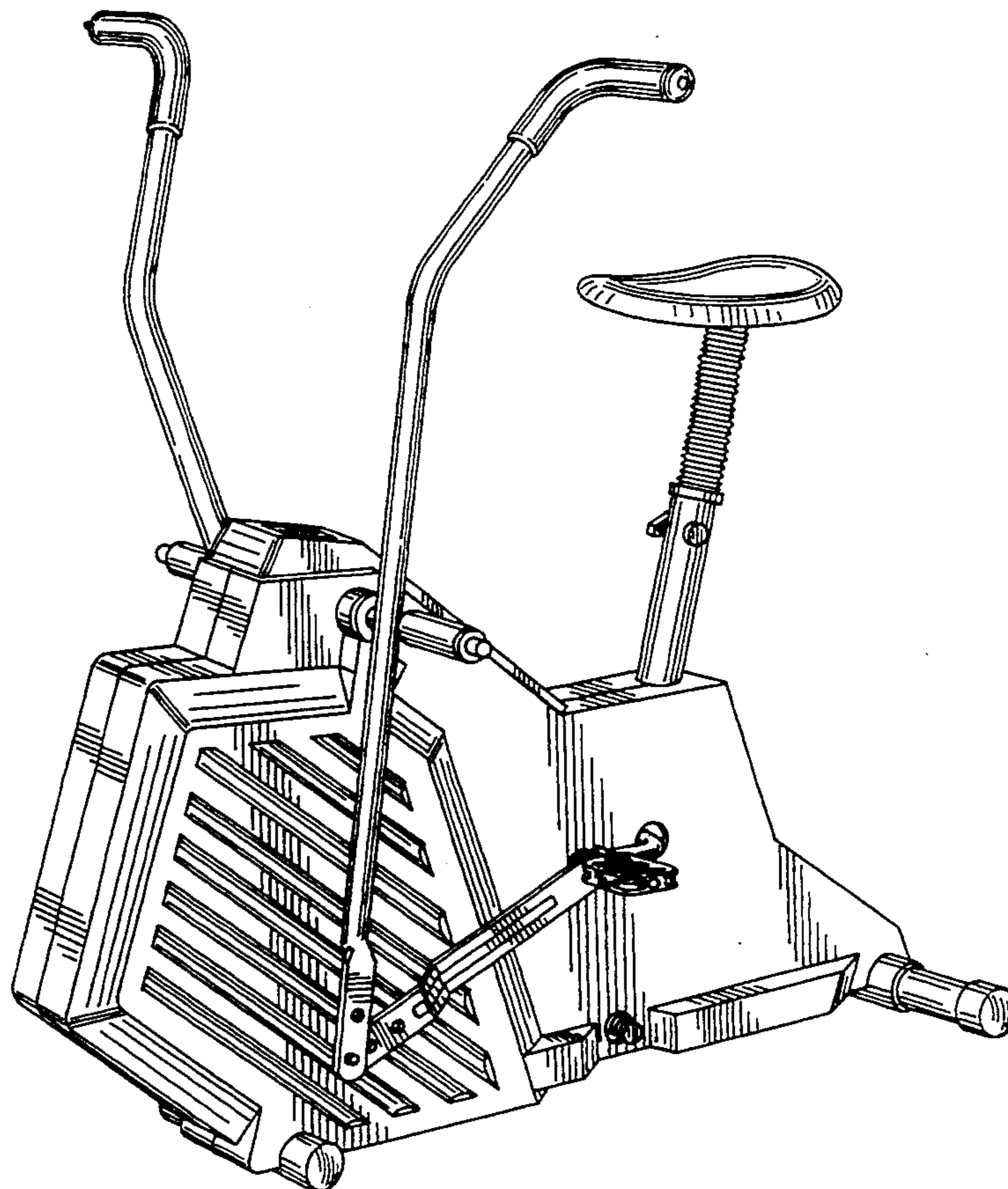


FIG. 1

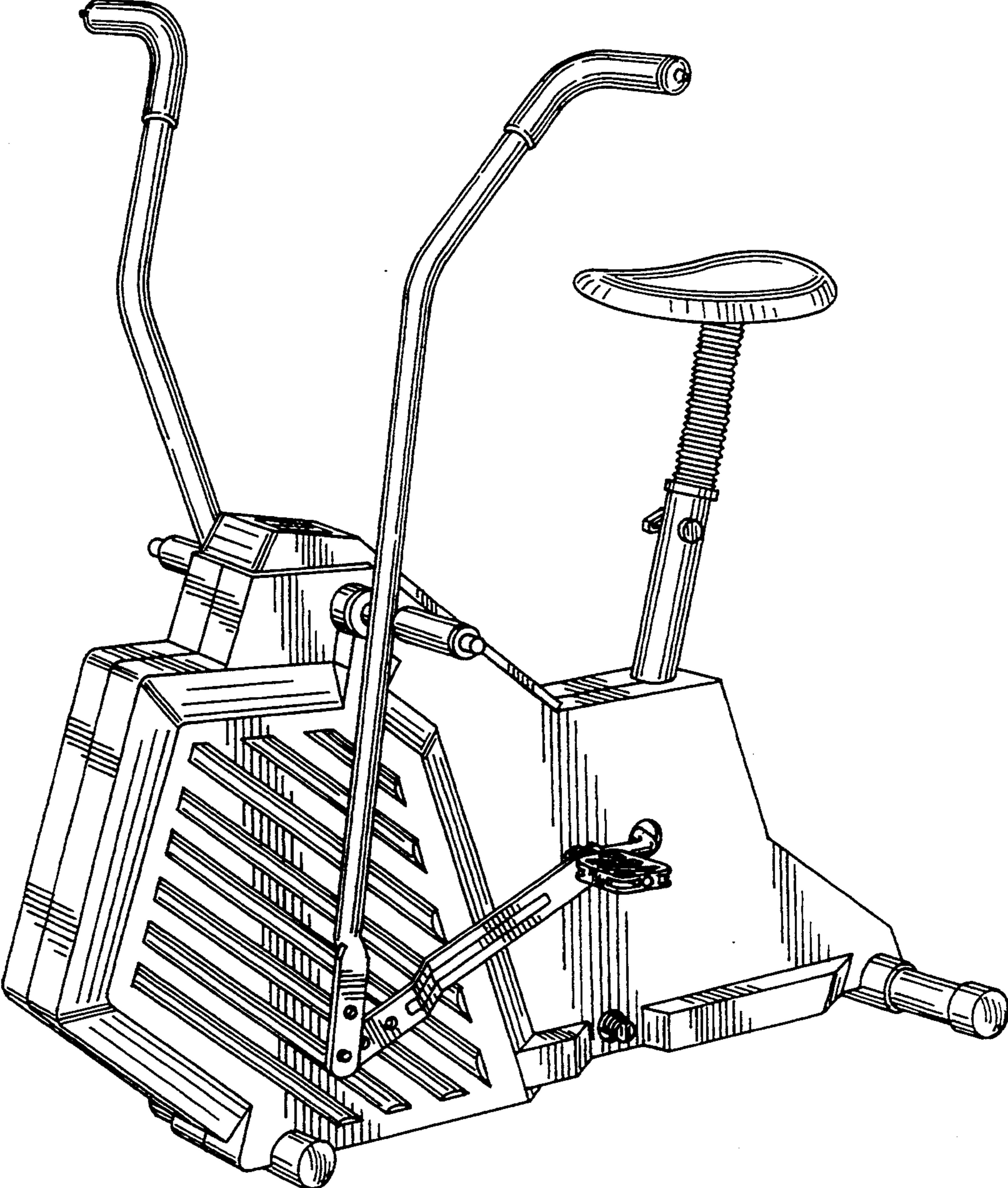


FIG.2

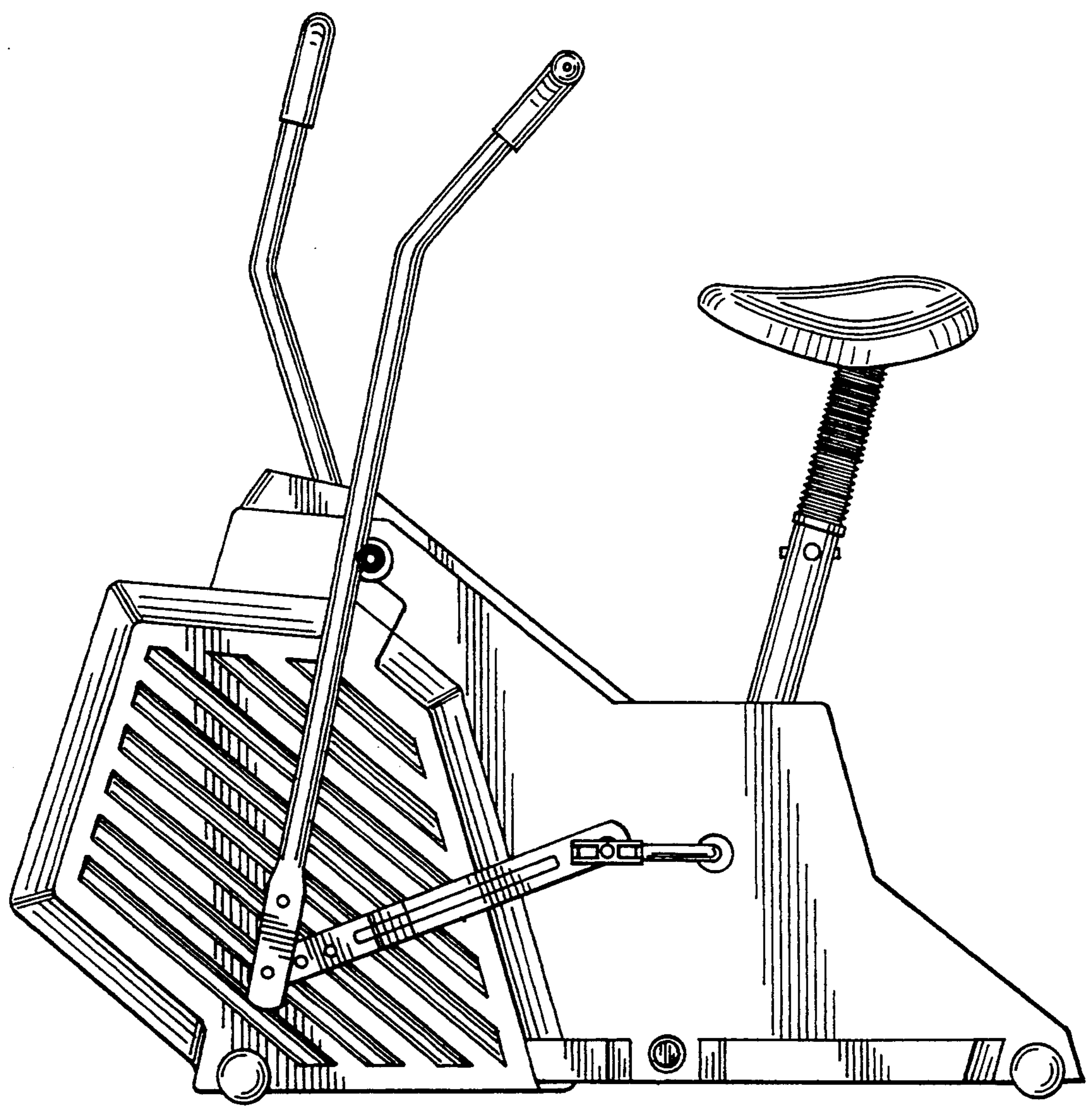
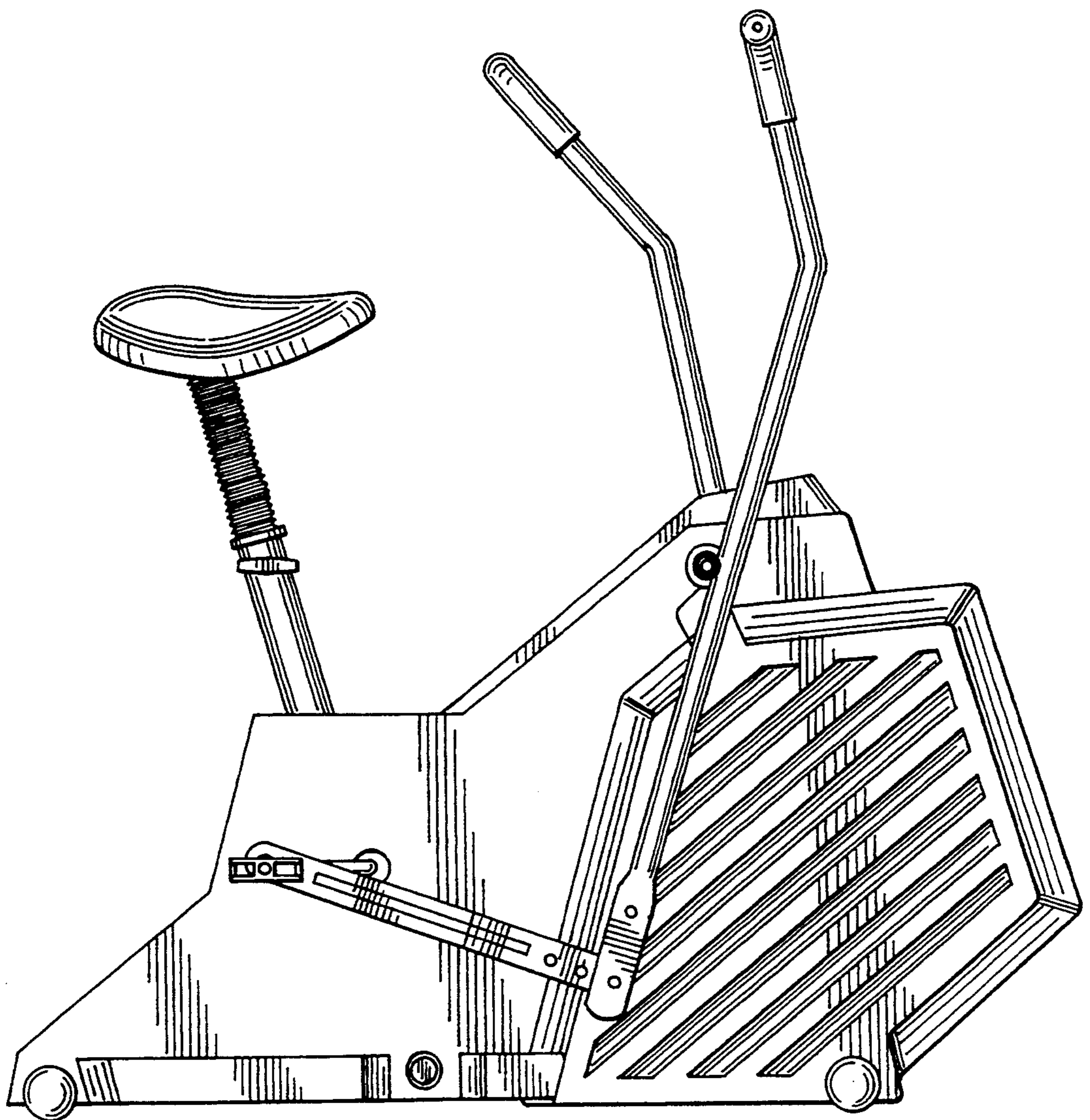


FIG. 3



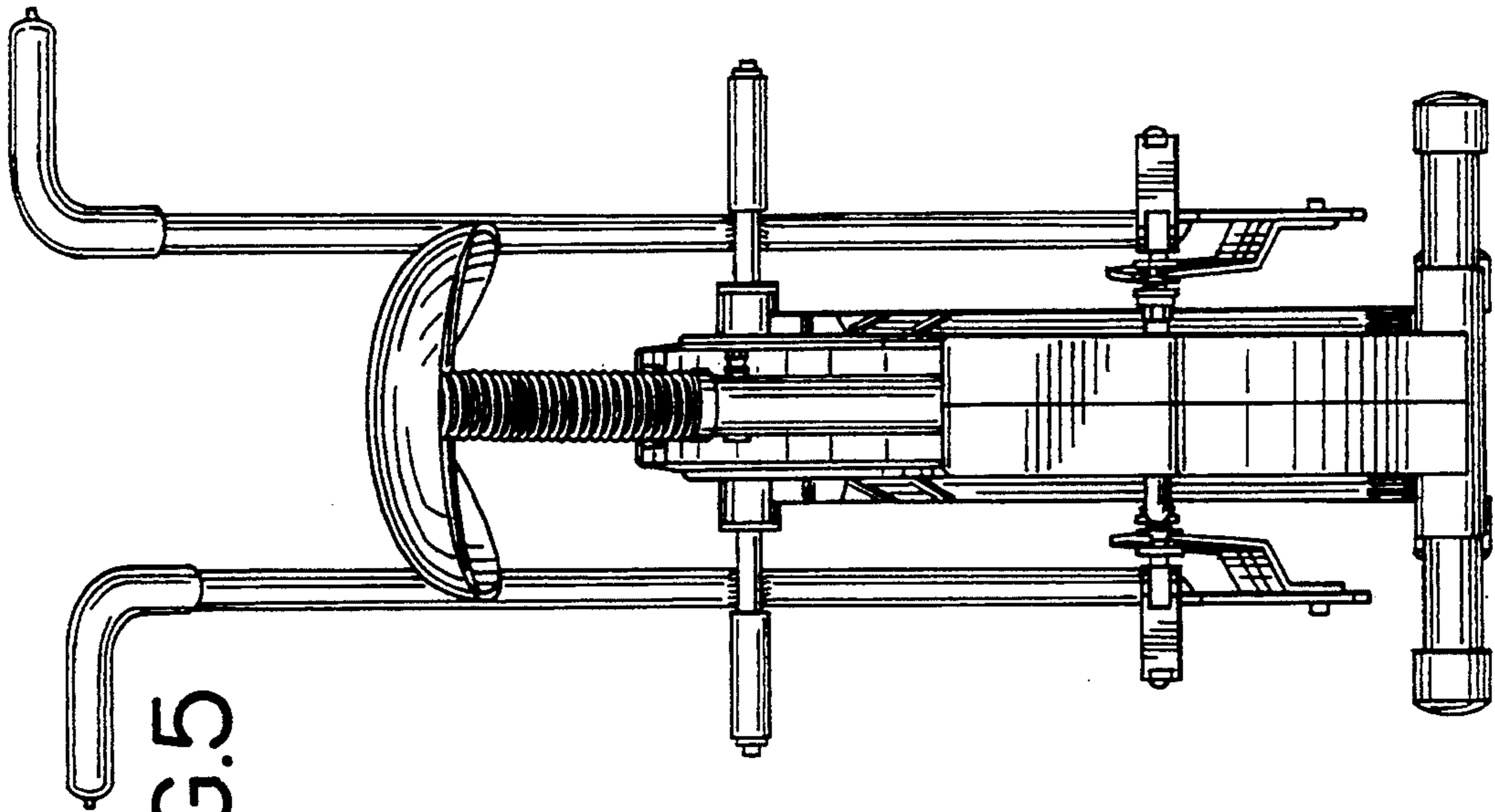


FIG.5

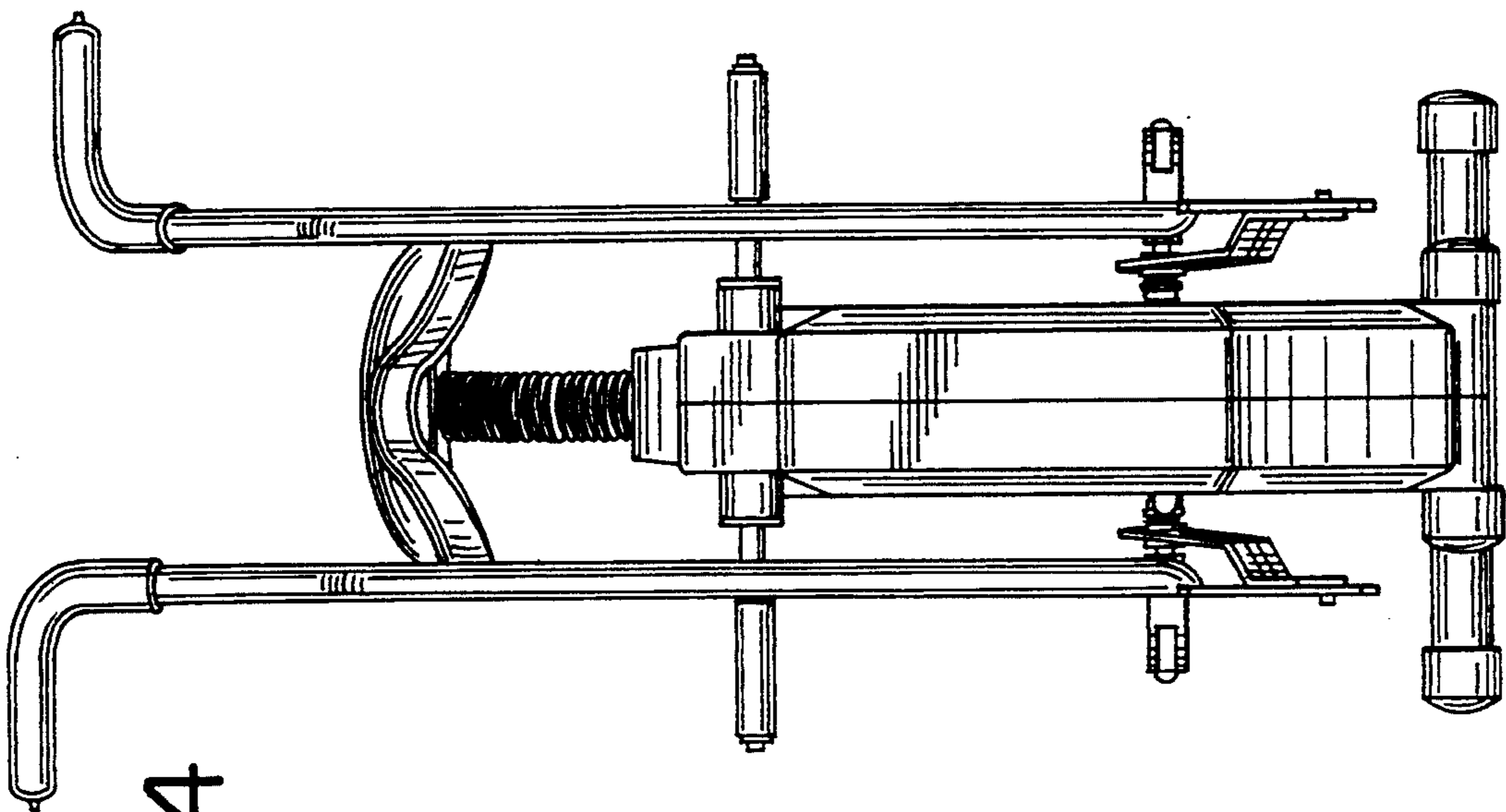


FIG.4

FIG.6

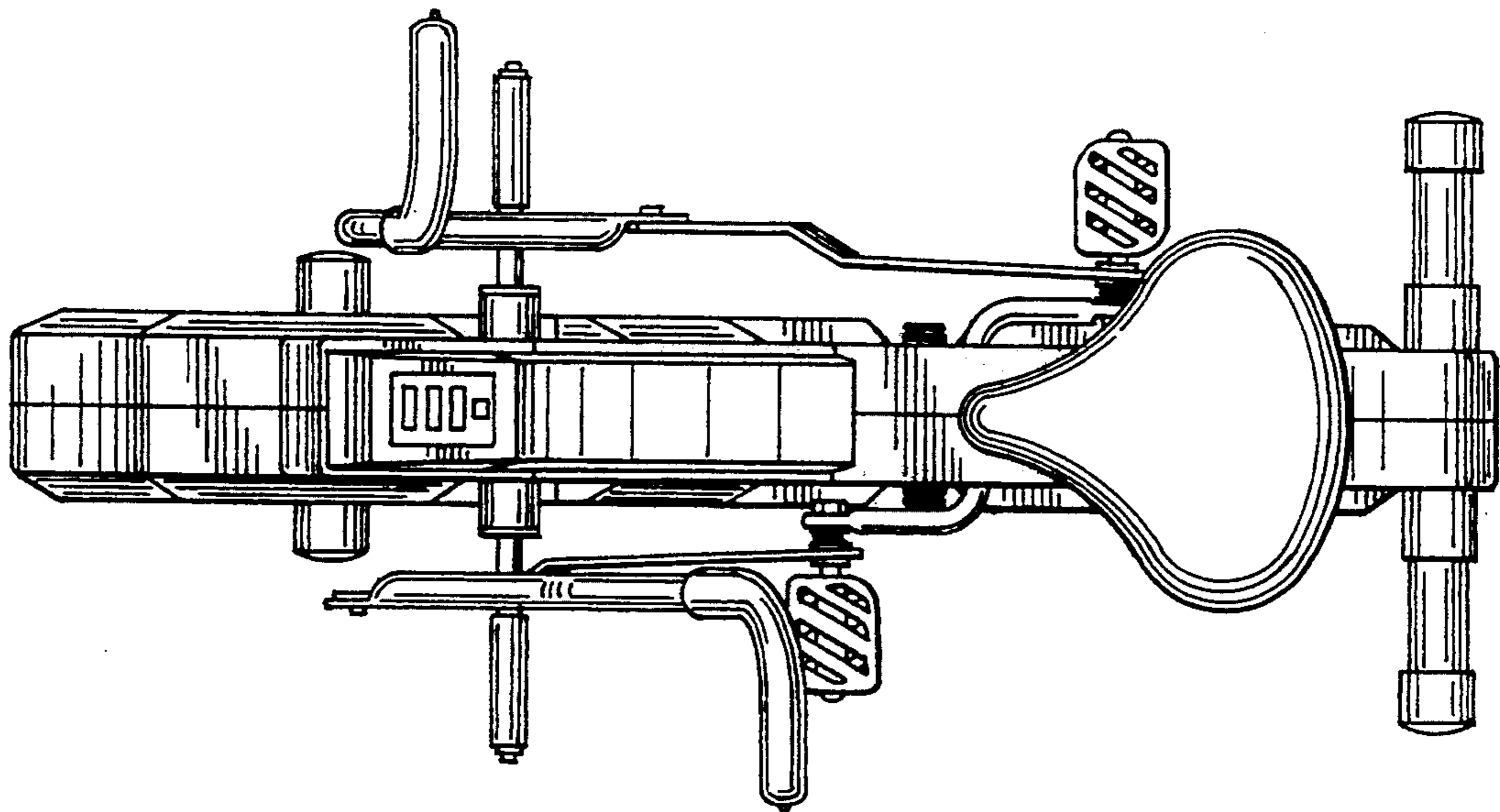


FIG.7

