



US00D353627S

United States Patent [19]

[11] Patent Number: **Des. 353,627**

McCormick

[45] Date of Patent: **** Dec. 20, 1994**

[54] SIGN HOLDER

3,324,585	11/1964	Frederickson .
3,530,605	5/1968	Gutterson .
3,711,973	1/1973	Slavsky .
3,714,724	2/1973	Slavsky .
3,797,143	2/1974	Miller .
3,975,847	8/1976	Slavsky .
4,485,575	12/1984	Fast .

[75] Inventor: **Patrick L. McCormick**, Jacksonville, Fla.

[73] Assignee: **Simple Signman, Inc.**, Jacksonville, Fla.

[**] Term: **14 Years**

Primary Examiner—Wallace R. Burke
Assistant Examiner—Marcus Jackson
Attorney, Agent, or Firm—Cushman, Darby & Cushman

[21] Appl. No.: **17,265**

[22] Filed: **Jan. 10, 1994**

[52] U.S. Cl. **D20/43**

[58] Field of Search 40/1, 124.1, 124, 124.2, 40/124.4, 642, 643, 649, 658, 666; D20/10, 39, 40, 41, 43, 44

[57] CLAIM

The ornamental design for a sign holder, as shown and described.

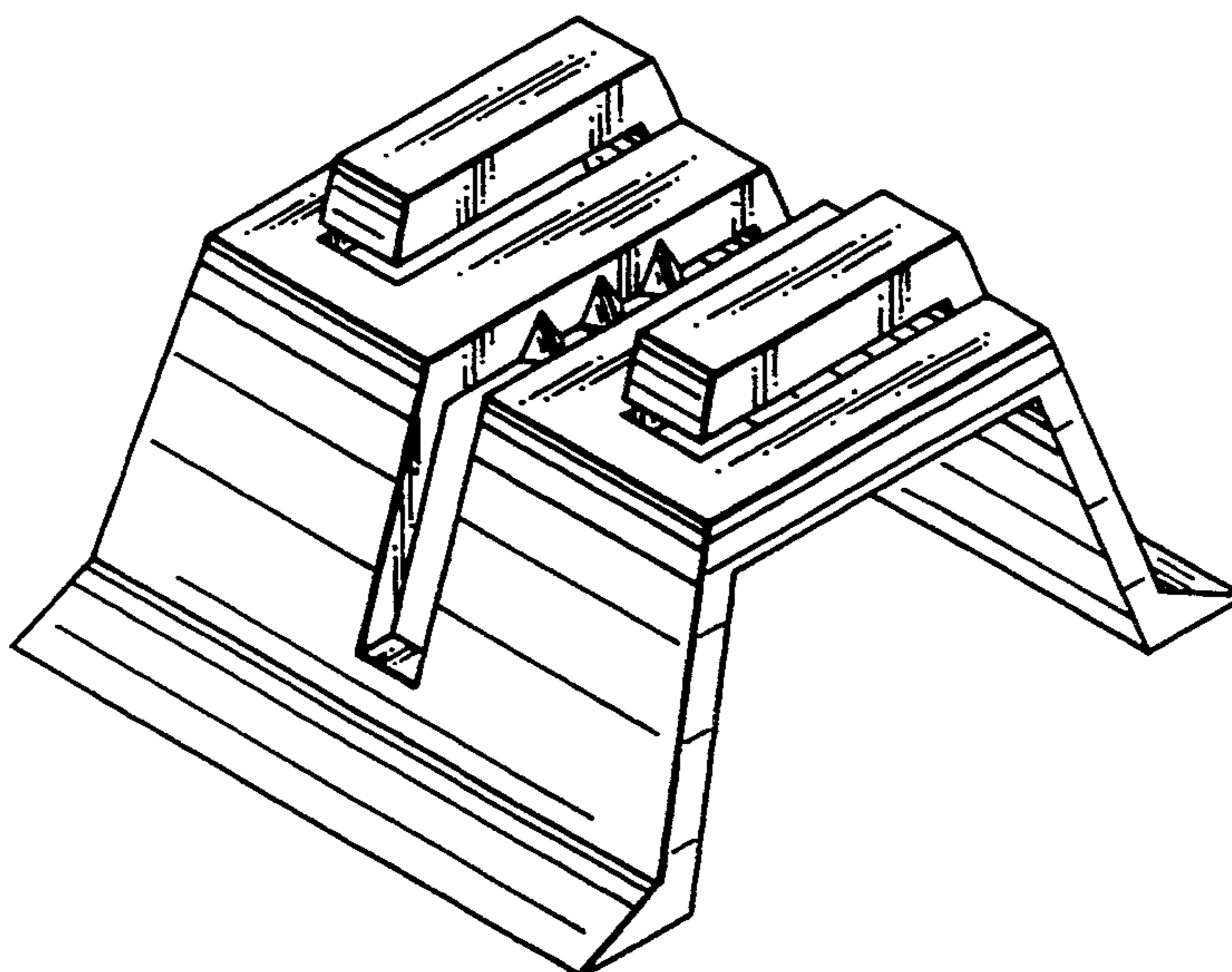
DESCRIPTION

[56] References Cited

U.S. PATENT DOCUMENTS

- D. 199,020 9/1964 Reddor .
- D. 223,435 4/1972 Hood .
- D. 240,501 7/1976 Carroll .
- D. 241,311 9/1979 McLintock .
- D. 241,312 9/1979 McLintock .
- D. 241,313 9/1979 McLintock .
- D. 295,194 4/1988 McCormick .
- D. 295,195 4/1988 McCormick .
- 1,333,515 3/1920 Thompson .
- 1,417,325 5/1922 Hopp .
- 2,859,546 11/1954 Gutterson .

FIG. 1 is a front plan view of a sign holder showing my new design;
 FIG. 2 is a rear plan view thereof;
 FIG. 3 is a right side elevational view thereof, the left side elevational view being a mirror image thereof;
 FIG. 4 is a sectional view taken along line 4—4 of FIG. 1;
 FIG. 5 is a bottom elevational view thereof;
 FIG. 6 is a top elevational view thereof;
 FIG. 7 is a sectional view taken along line 7—7 of FIG. 1; and,
 FIG. 8 is a top, front prospective view of a sign holder showing my new design.



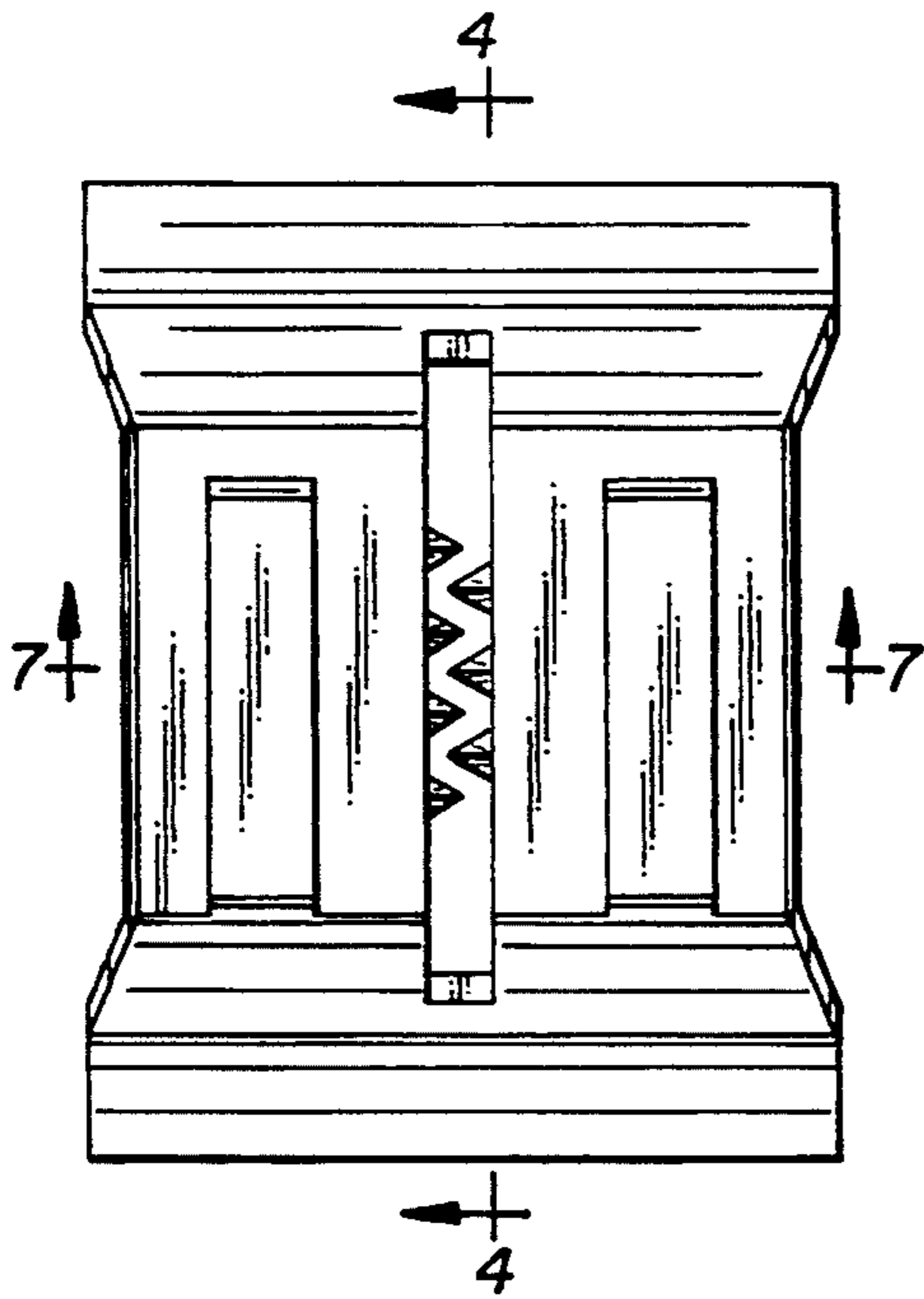


FIG. 1

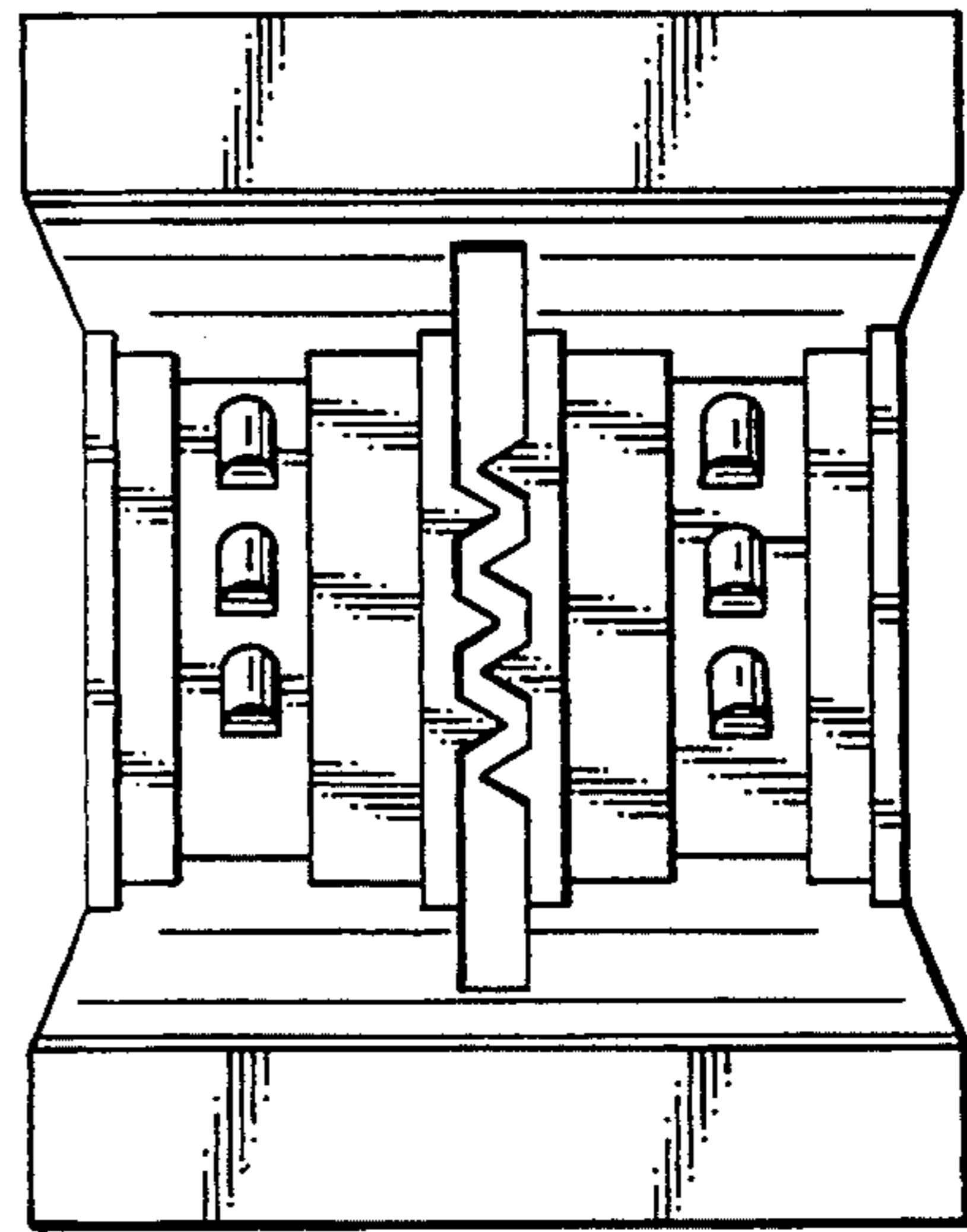


FIG. 2

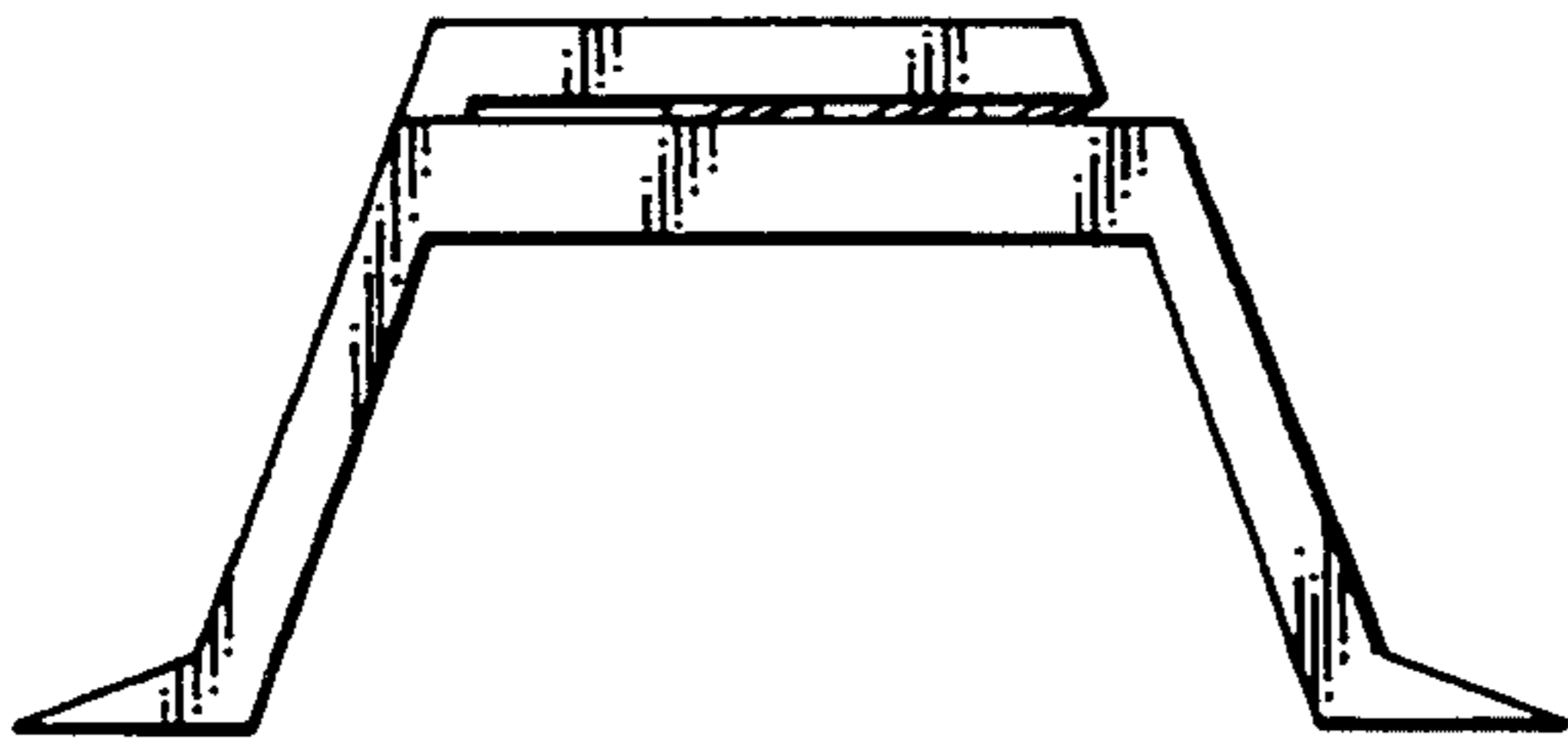


FIG. 3

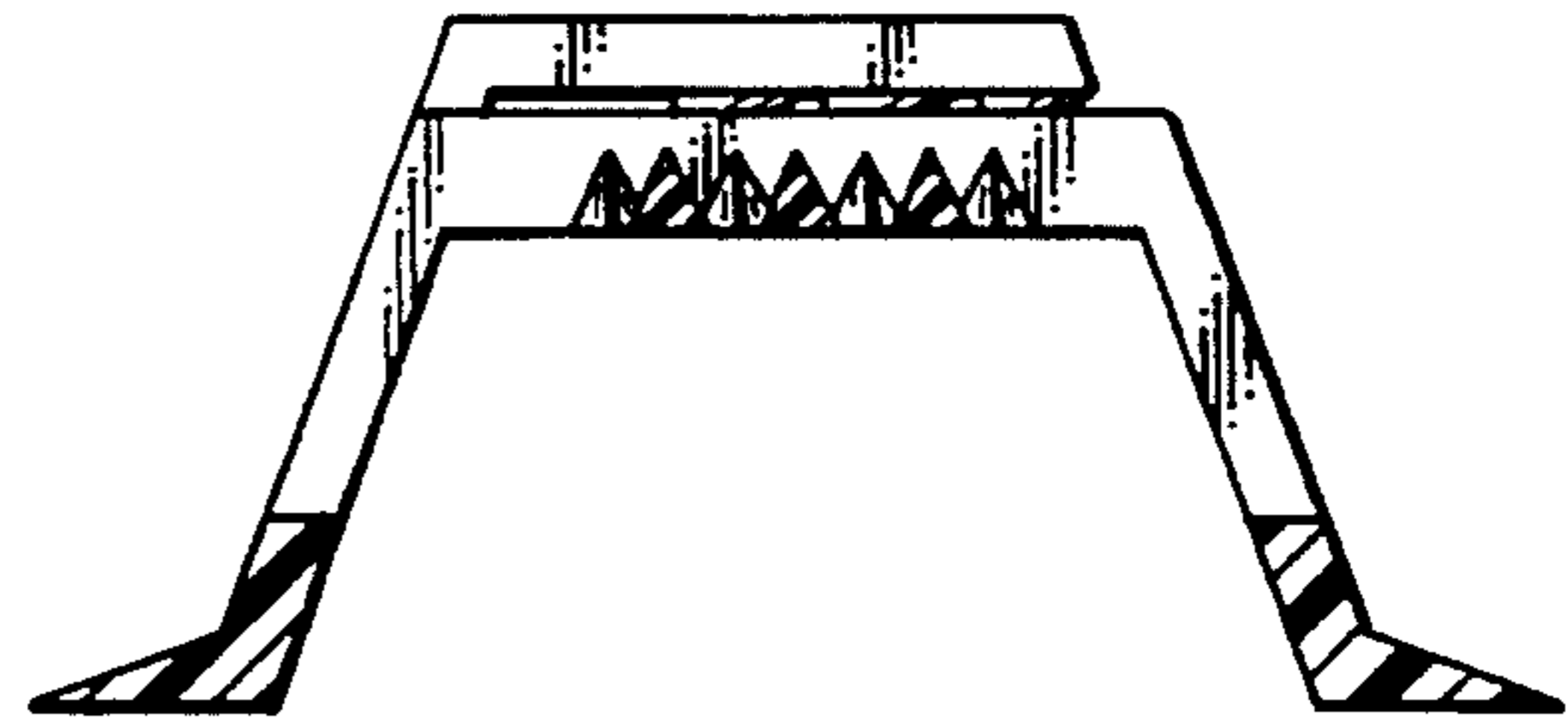


FIG. 4

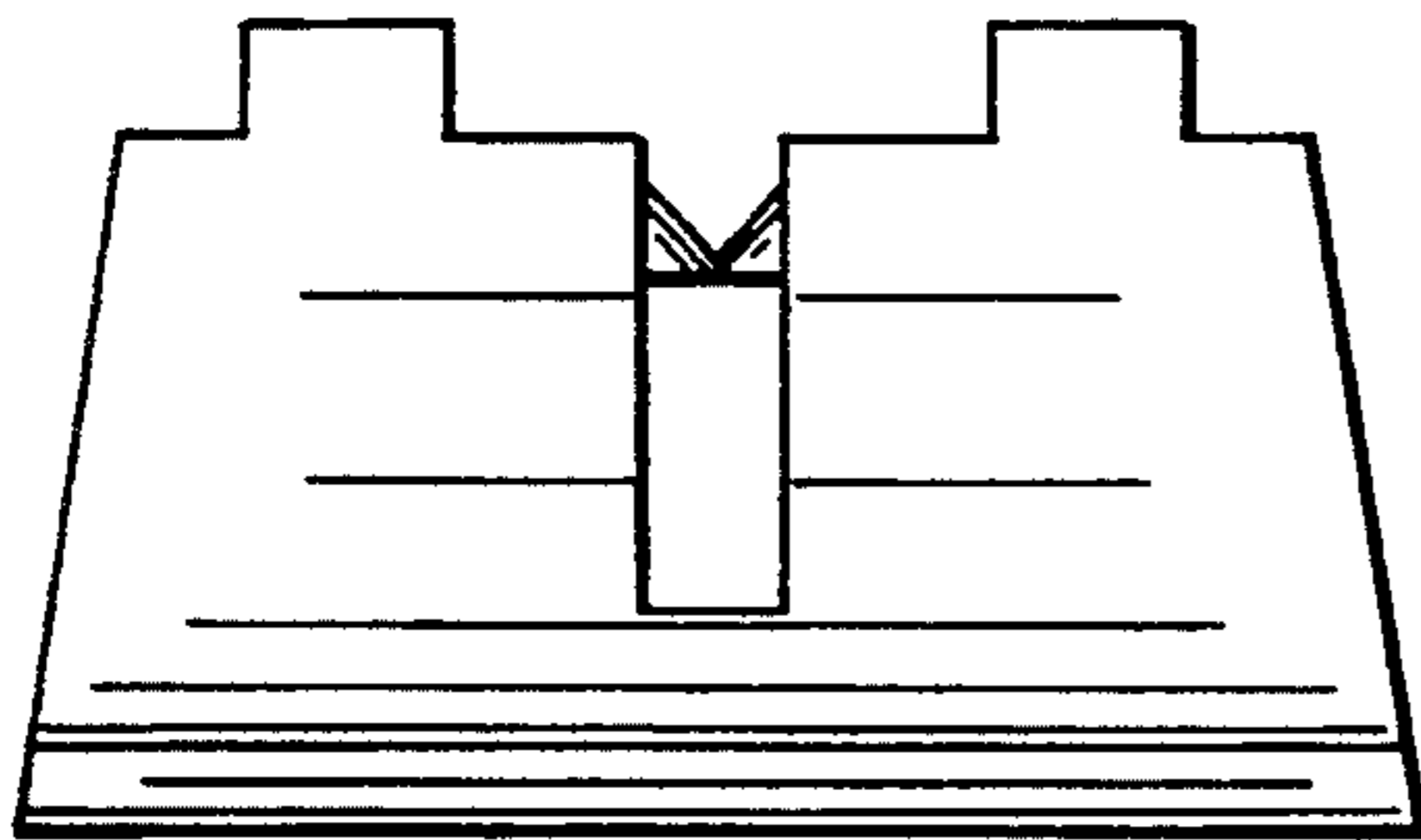


FIG. 5

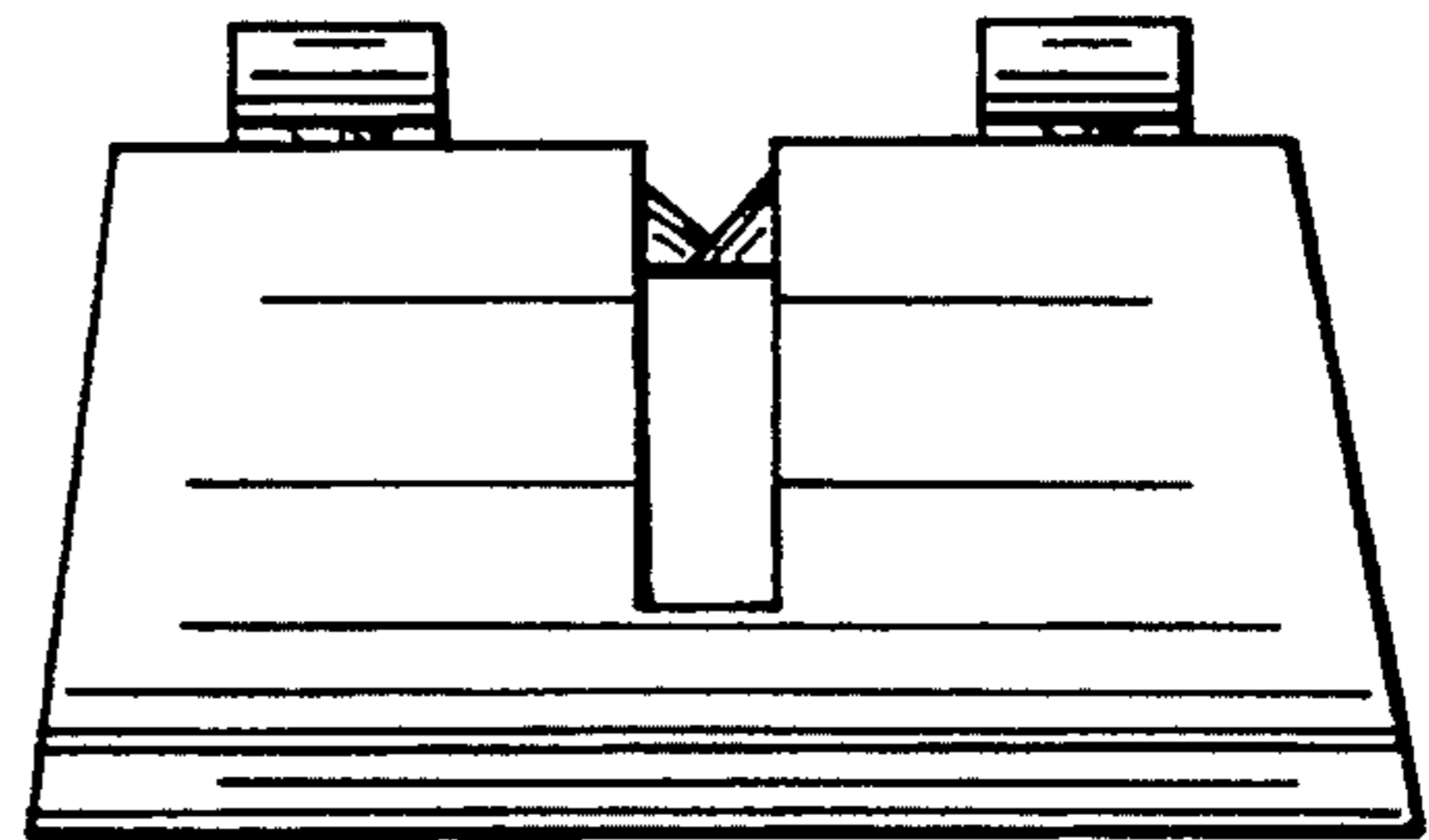


FIG. 6

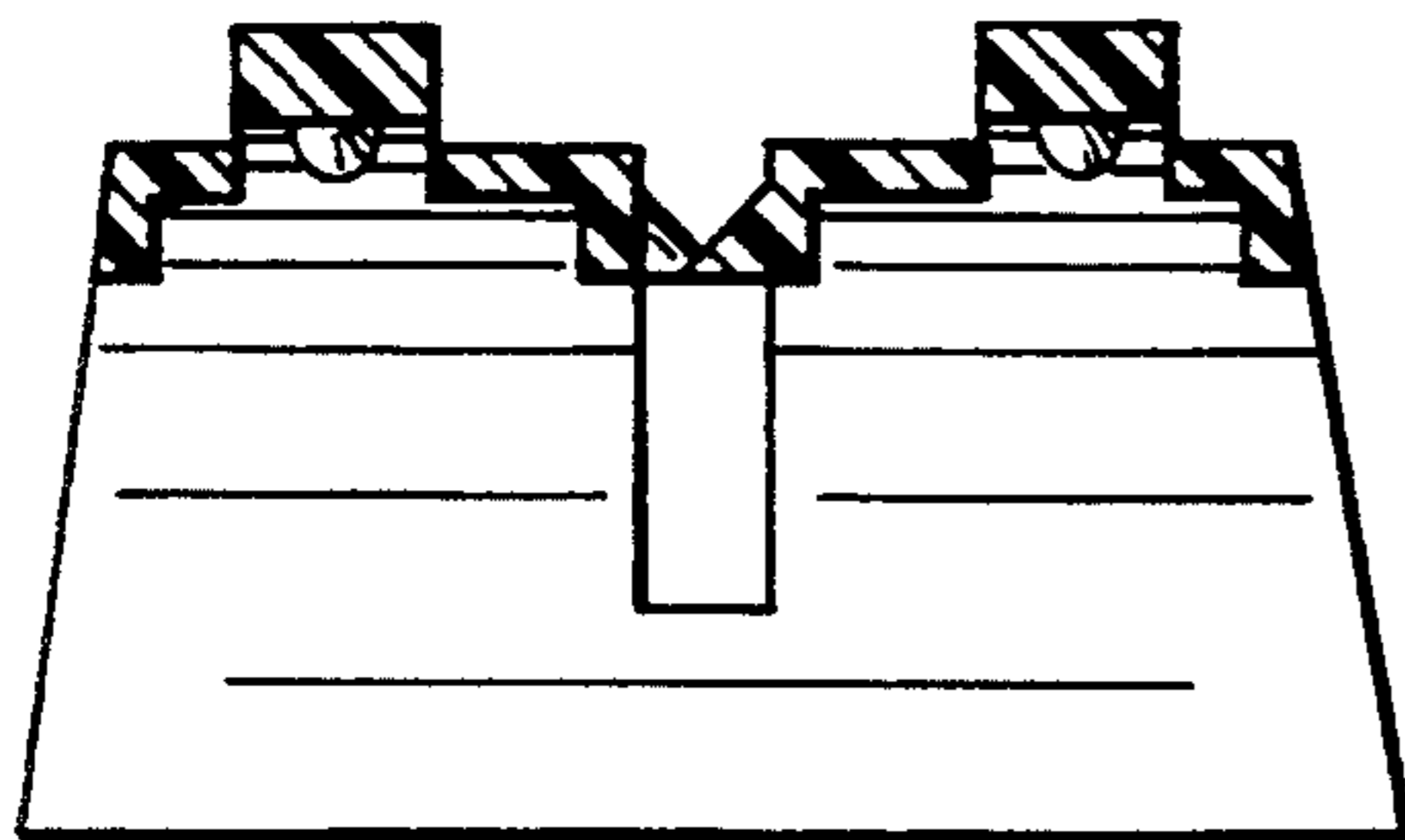


FIG. 7

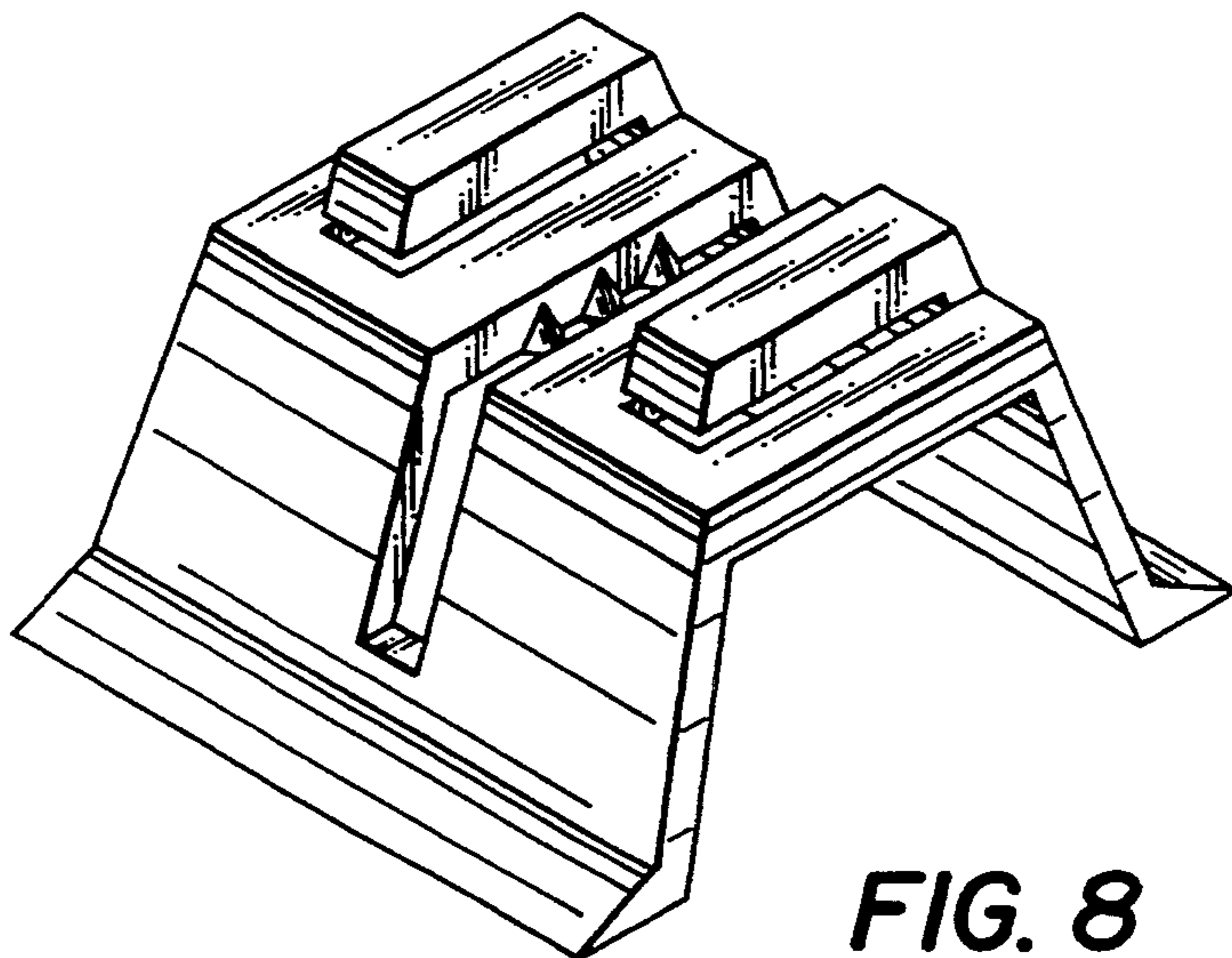


FIG. 8