



US00D353618S

# United States Patent [19]

[11] Patent Number: **Des. 353,618**

Hiraishi et al.

[45] Date of Patent: **\*\* Dec. 20, 1994**

[54] **OFFSET PRINTING MACHINE**

4,414,896 11/1983 Fischer ..... 101/184  
4,960,049 10/1990 Mimura et al. .... 101/183

[75] Inventors: **Etsuo Hiraishi, Tokyo; Hideo Aoyama, Hiroshima, both of Japan**

[73] Assignee: **Ryobi, Ltd., Hiroshima, Japan**

[\*\*] Term: **14 Years**

[21] Appl. No.: **6,233**

[22] Filed: **Mar. 23, 1993**

[30] **Foreign Application Priority Data**

Sep. 28, 1992 [JP] Japan ..... 4-28385

[52] U.S. Cl. .... **D18/53**

[58] Field of Search ..... 101/136-137,  
101/141-142, 177, 183-184, 217; D18/53

[56] **References Cited**

**U.S. PATENT DOCUMENTS**

- D. 263,242 3/1982 Hiraishi et al. .... D18/53
- D. 324,537 3/1992 Maehara et al. .... D18/53
- 4,327,641 5/1982 Goodwin et al. .... 101/184

**OTHER PUBLICATIONS**

Ryobi Brochure; Item 520; Jan. 1991; p. 2.

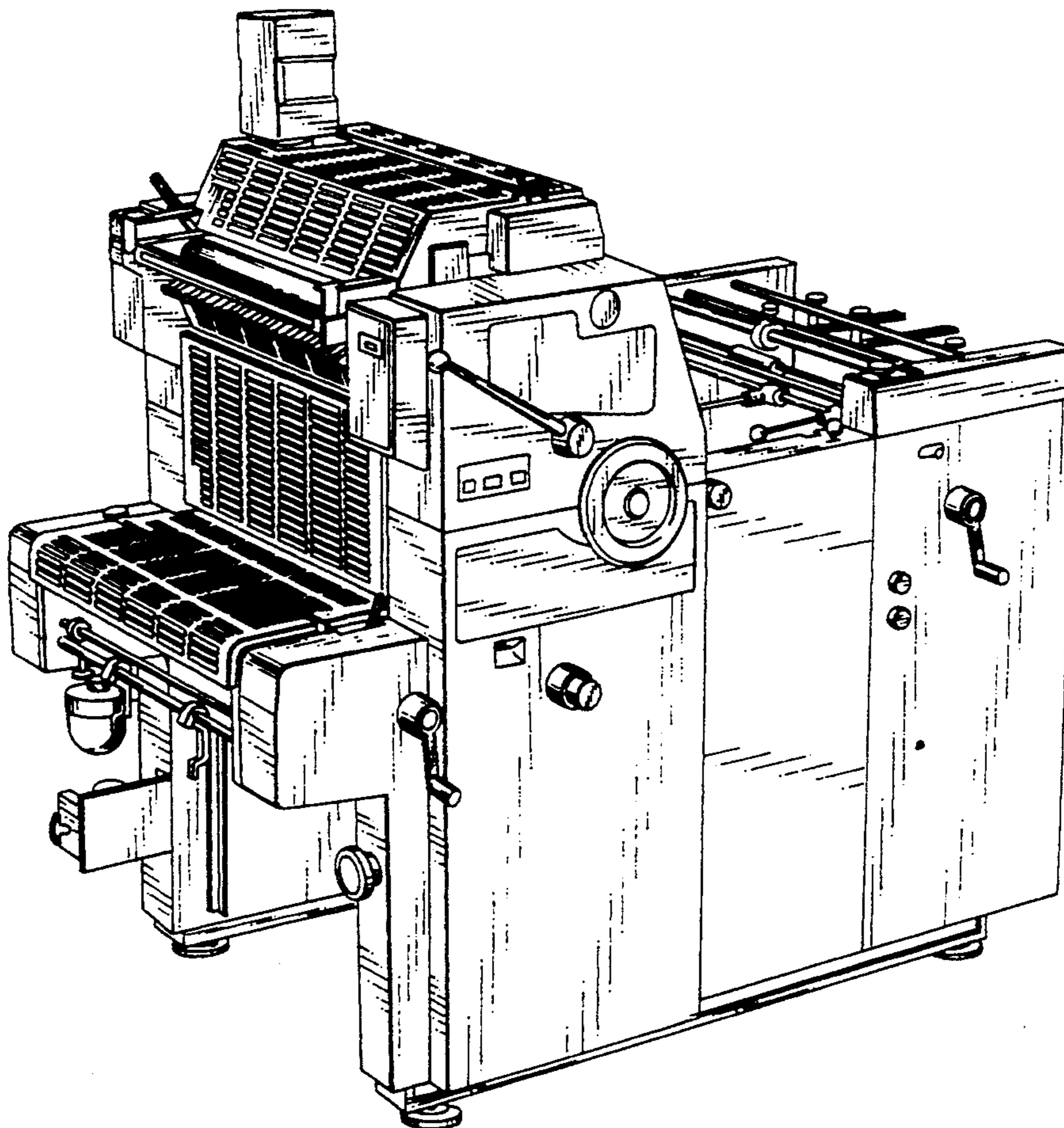
*Primary Examiner*—Cathy Anne MacCormac  
*Attorney, Agent, or Firm*—Sughrue, Mion, Zinn,  
Macpeak & Seas

[57] **CLAIM**

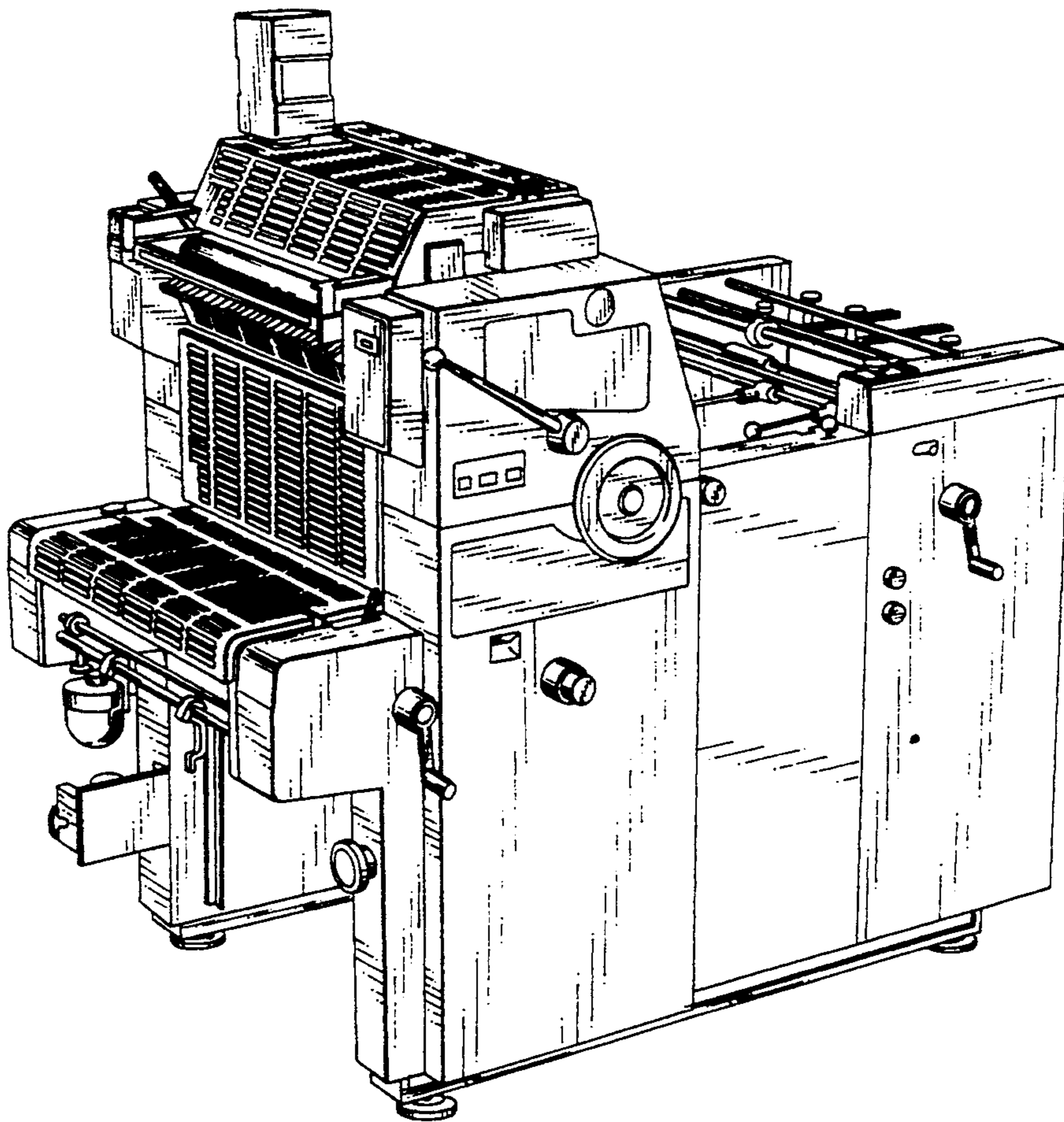
The ornamental design for an offset printing machine, as shown and described.

**DESCRIPTION**

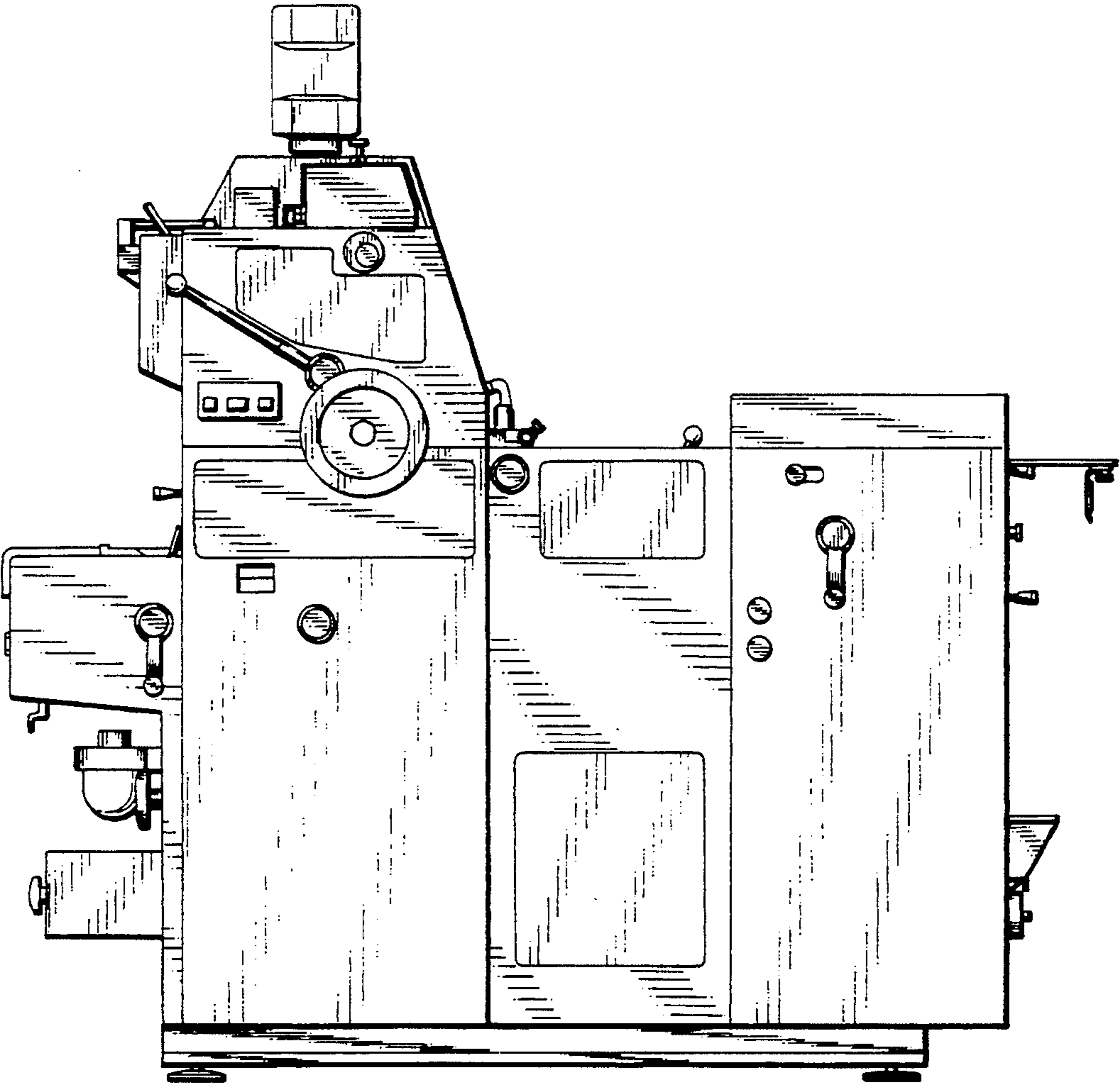
FIG. 1 is a front, top and right side perspective view of an offset printing machine showing our new design; FIG. 2 is a right side elevational view thereof; FIG. 3 is a left side elevational view thereof; FIG. 4 is a front elevational view thereof; FIG. 5 is a rear elevational view thereof; and, FIG. 6 is a top plan view thereof. The bottom is unadorned.



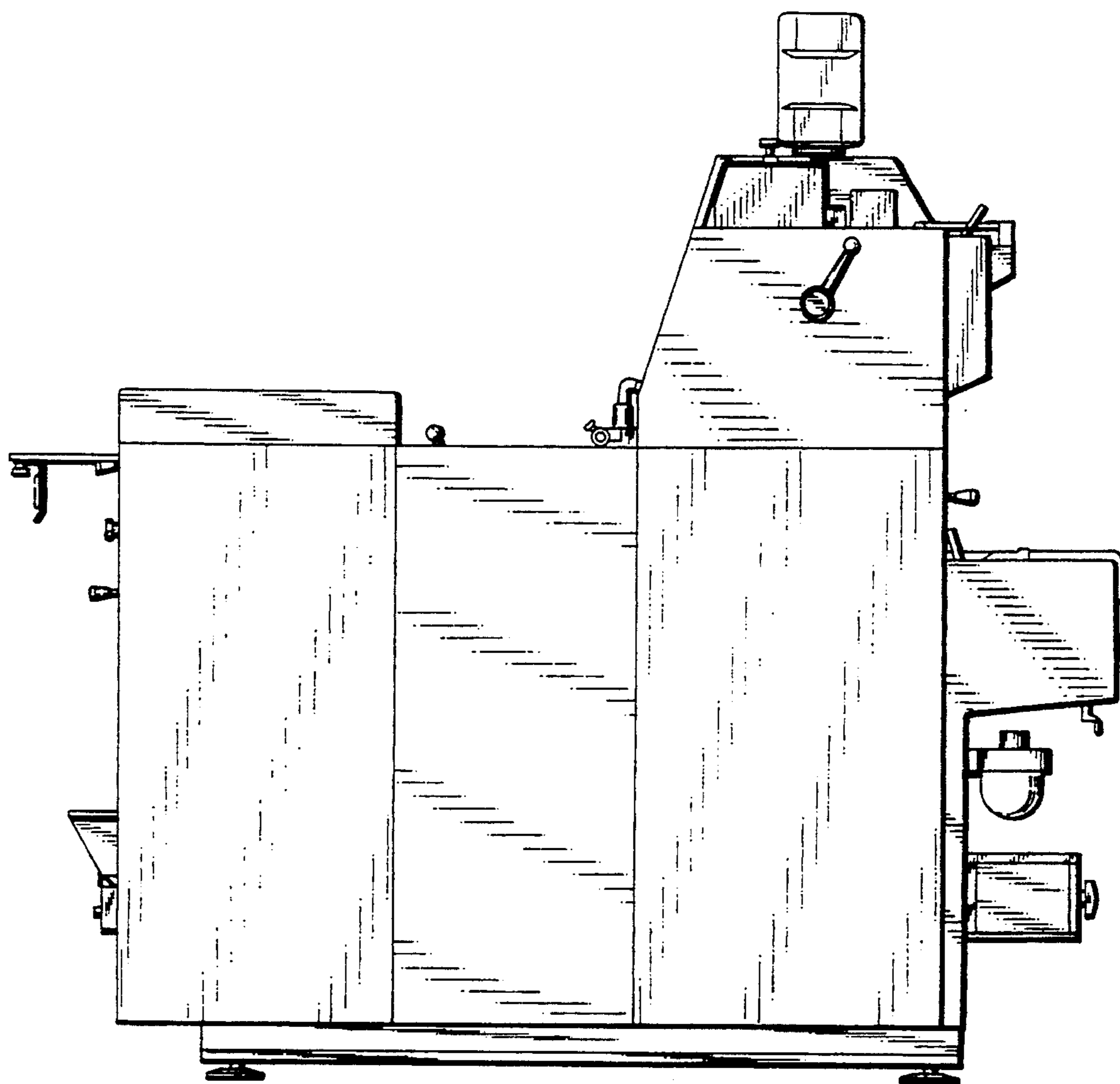
*FIG. 1*



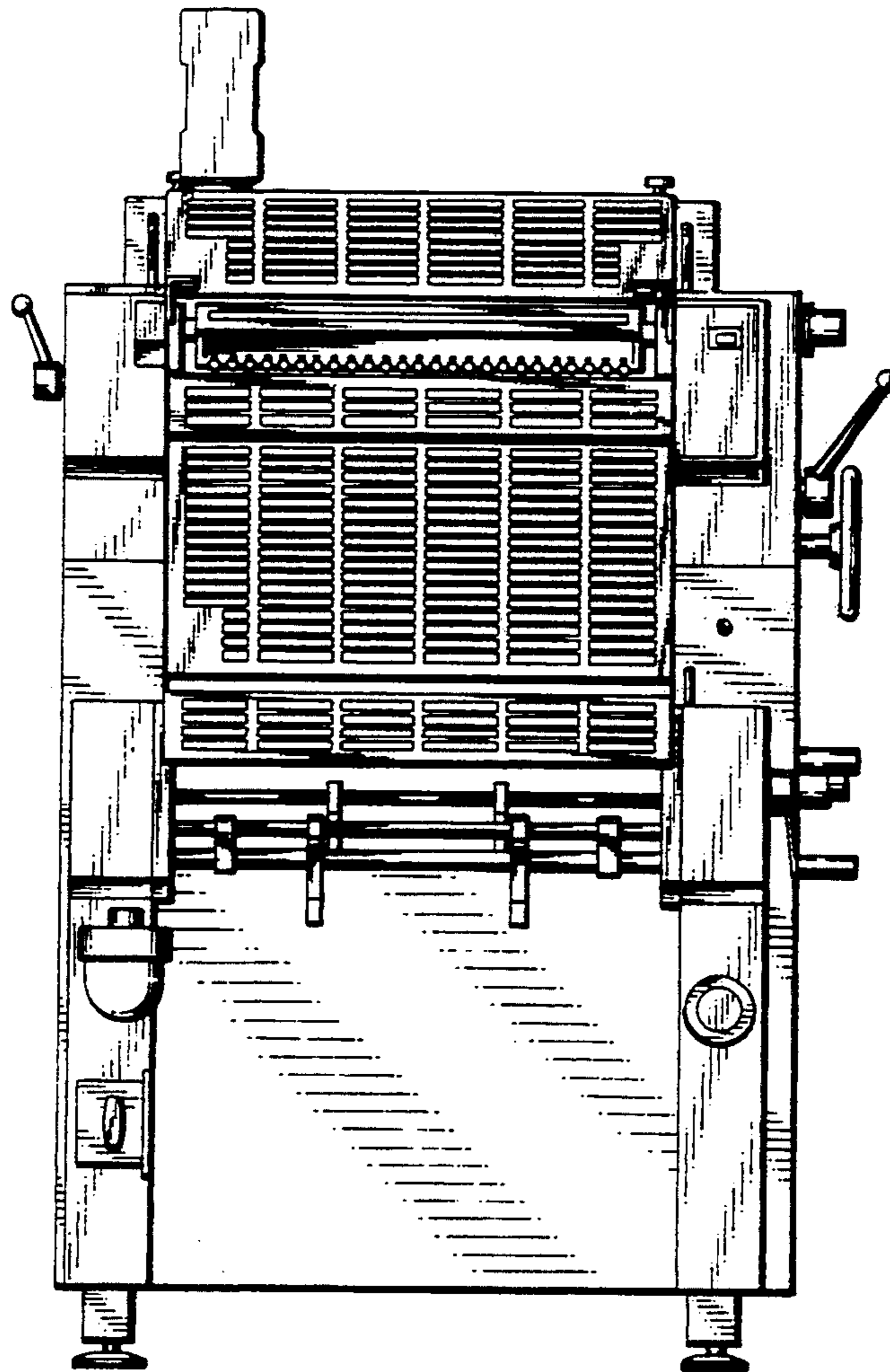
*FIG. 2*



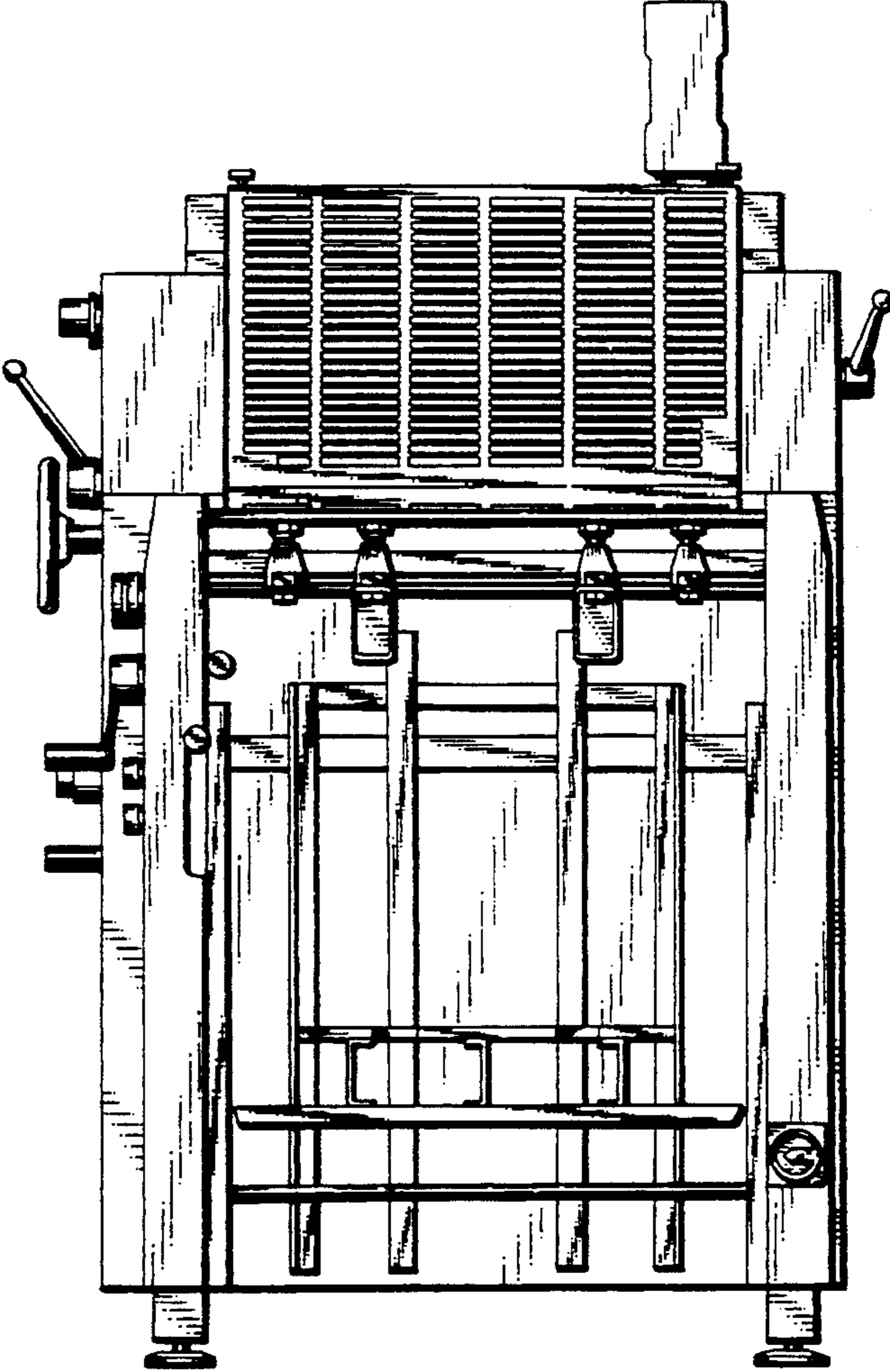
**FIG. 3**



*FIG. 4*



*FIG. 5*



*FIG. 6*

