



US00D353612S

# United States Patent [19]

[11] Patent Number: **Des. 353,612**

Yanagisawa

[45] Date of Patent: **\*\* Dec. 20, 1994**

[54] TOM TOM AND BASS DRUM LUG CASING

*Primary Examiner*—Bernard Ansher  
*Assistant Examiner*—Adir Aronovich  
*Attorney, Agent, or Firm*—Longacre & White

[75] Inventor: Mitsuo Yanagisawa, Yachiyo, Japan

[73] Assignee: Pearl Musical Instrument Company,  
Chiba, Japan

[57] **CLAIM**

[\*\*] Term: 14 Years

The ornamental design for a tom tom and bass drum lug casing, as shown and described.

[21] Appl. No.: 12,907

**DESCRIPTION**

[22] Filed: Aug. 31, 1993

[52] U.S. Cl. .... D17/22

[58] Field of Search ..... 84/411 R, 413; D17/22,  
D17/99; D21/64

FIG. 1 is a left-side elevation view of a tom tom and bass drum lug casing showing my new design. The broken line showing of a drum shell, drum head and lug bolt is for illustrative purposes only, and forms no part of the claimed design. The right-side elevation view is a mirror image of the left-side elevation view;

[56] **References Cited**

**U.S. PATENT DOCUMENTS**

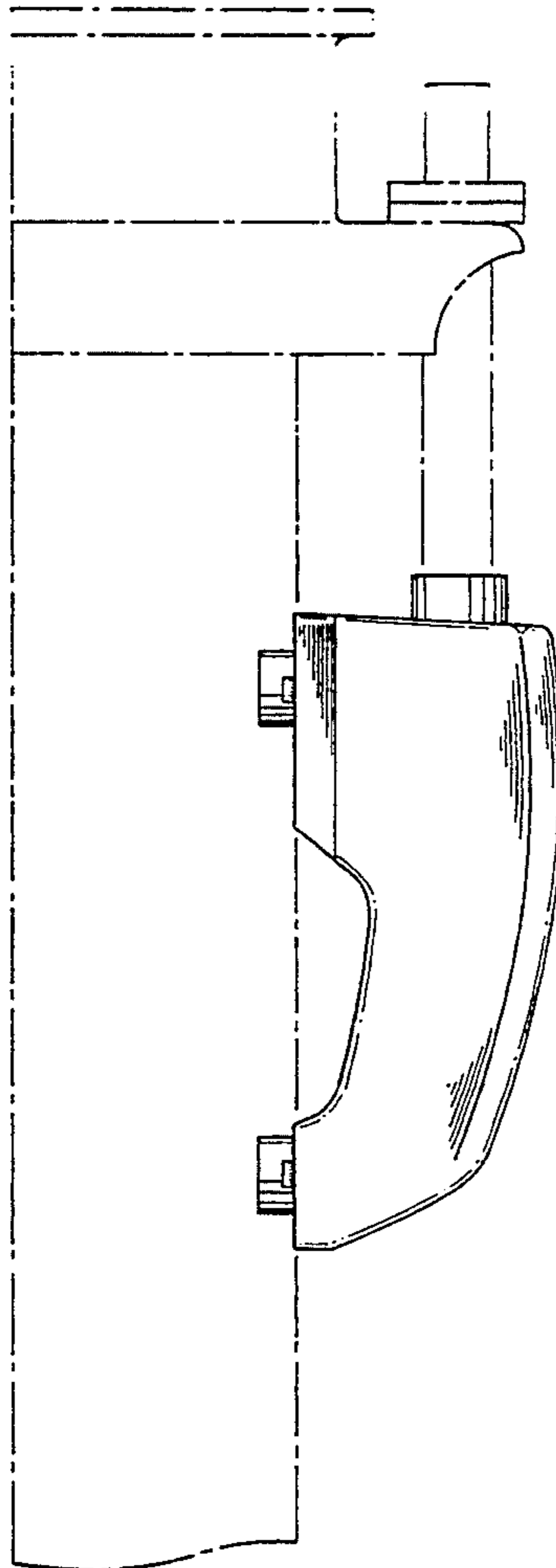
D. 203,702	2/1966	Thompson	.....	D17/22
D. 215,888	11/1969	Thompson	.....	D17/22
D. 310,538	9/1990	Yanagisawa	.....	D17/22
D. 311,203	10/1990	Yanagisawa	.....	D17/22
4,122,747	10/1978	Toshinori	.....	84/413

FIG. 2 is a front elevation view of the tom tom and bass drum lug casing shown in FIG. 1;

FIG. 3 is a back elevation view of the tom tom and bass drum lug casing shown in FIG. 1;

FIG. 4 is a top plan view of the tom tom and bass drum lug casing shown in FIG. 1; and,

FIG. 5 is a bottom plan view of the tom tom and bass drum lug casing shown in FIG. 1.



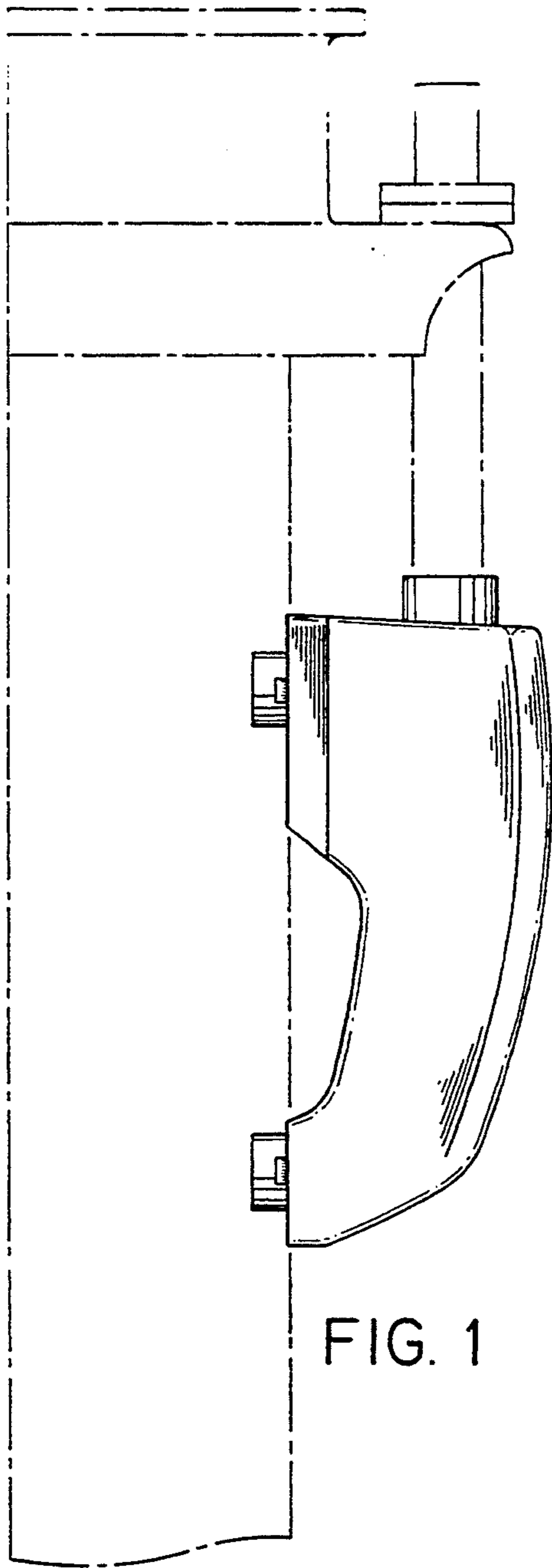


FIG. 1

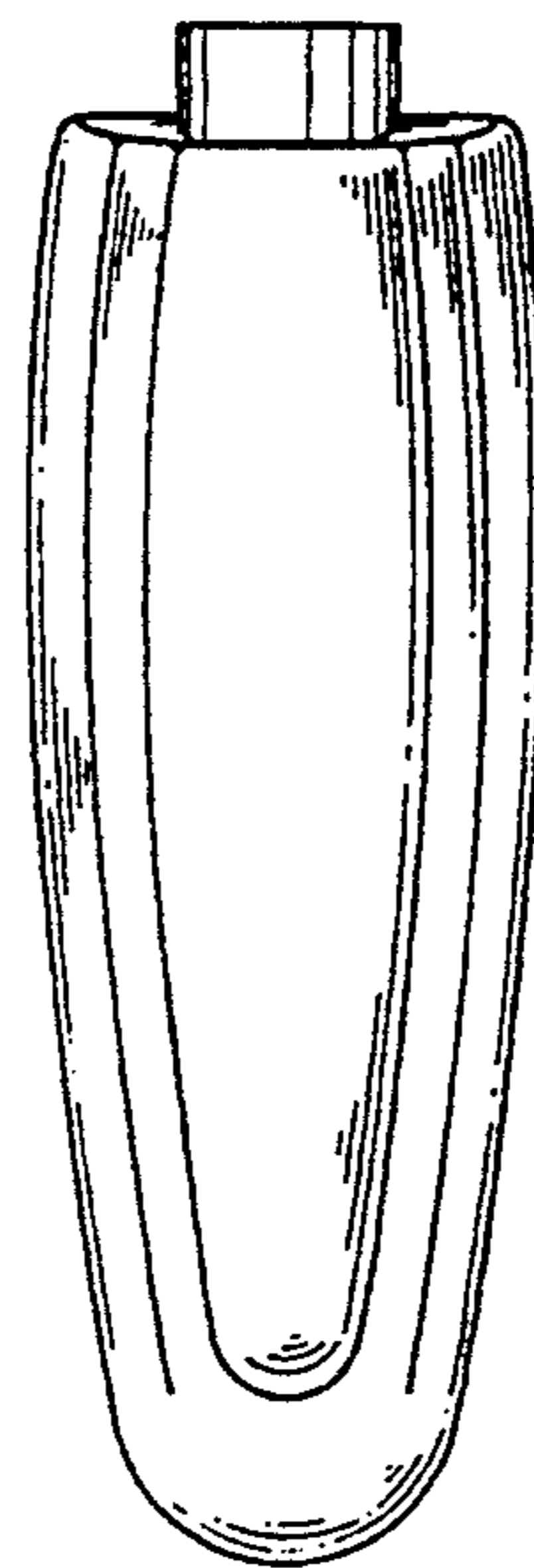


FIG. 2

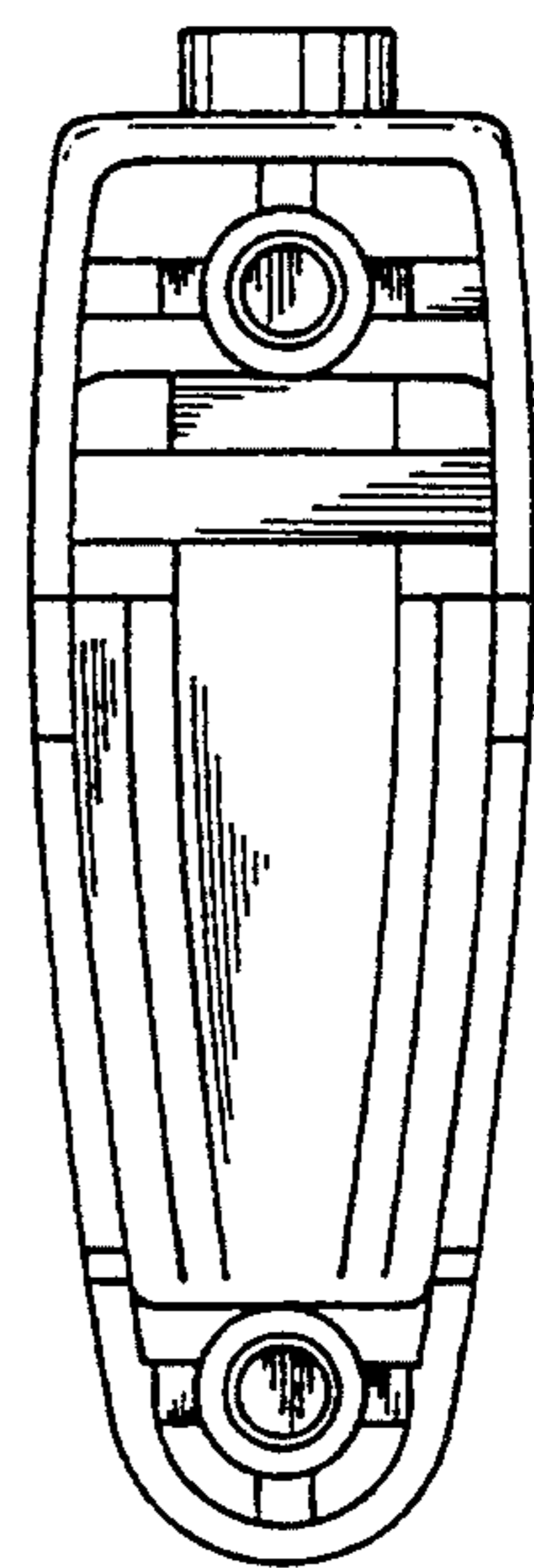


FIG. 3

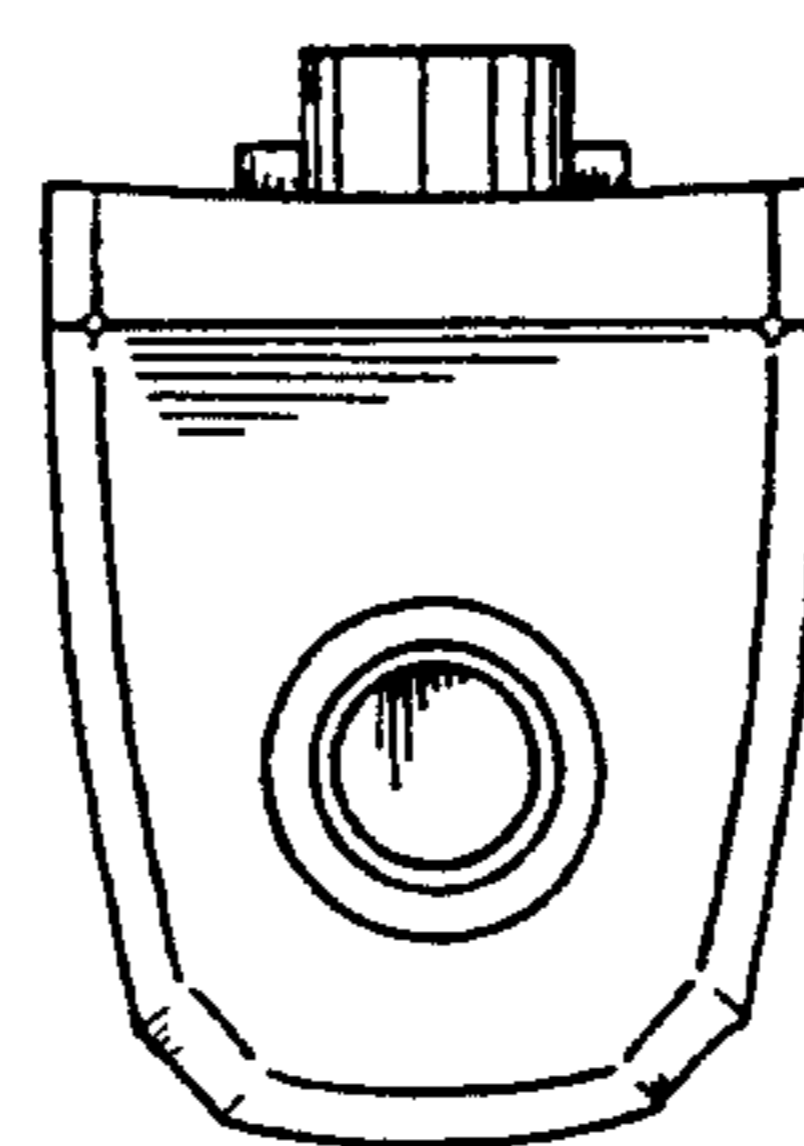


FIG. 4

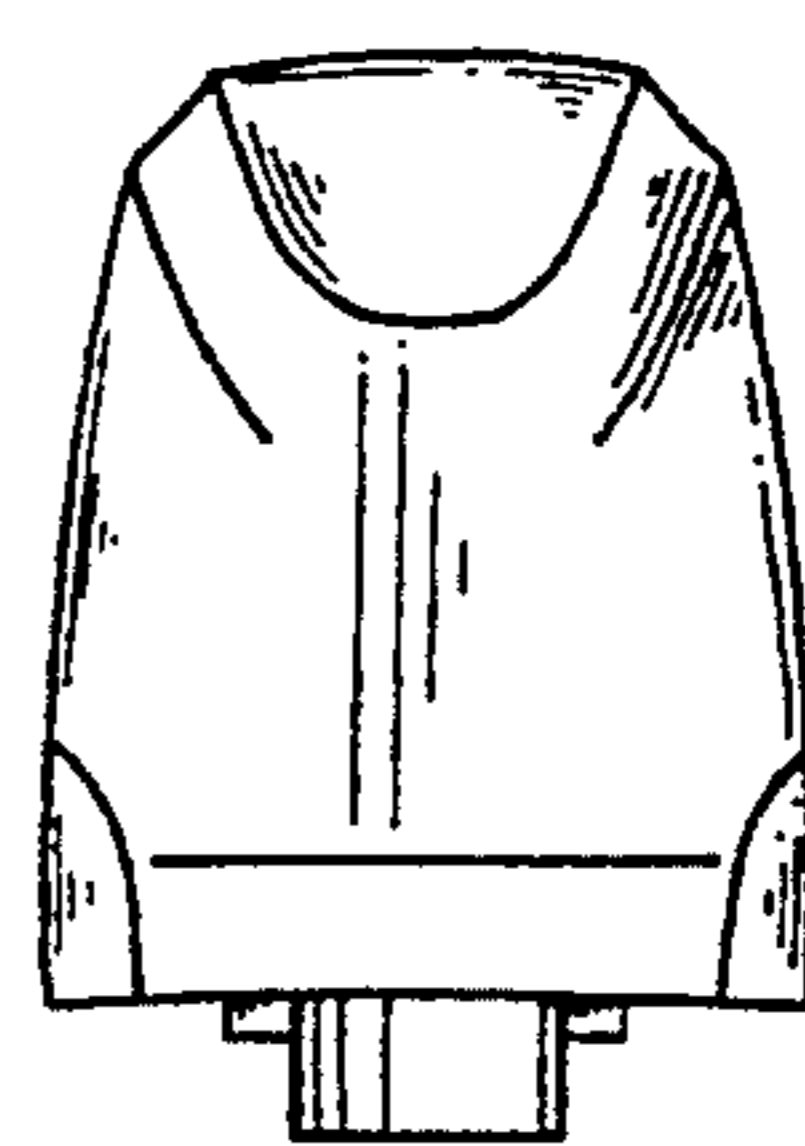


FIG. 5