



US00D353611S

United States Patent [19]

[11] Patent Number: **Des. 353,611**

Ohno

[45] Date of Patent: **** Dec. 20, 1994**

[54] **ELECTRONIC DRUM**

D. 316,422	4/1991	Mine	D17/22
D. 328,915	8/1992	Sato	D17/22
4,581,972	4/1986	Hoshino	84/DIG. 12
4,679,479	7/1987	Koyamato	84/741

[75] Inventor: **Masaharu Ohno**, Hamamatsu, Japan

[73] Assignee: **Yamaha Corporation**, Shizuoka, Japan

[**] Term: **14 Years**

[21] Appl. No.: **9,883**

[22] Filed: **Jun. 23, 1993**

[30] **Foreign Application Priority Data**

Dec. 29, 1992 [JP] Japan 4-38616

[52] U.S. Cl. **D17/22**

[58] **Field of Search** 84/723-733,
84/741, DIG. 12, DIG. 14; D17/22, 99;
D21/64; D16/225

[56] **References Cited**

U.S. PATENT DOCUMENTS

D. 246,980 1/1978 Shimano D16/225

Primary Examiner—Bernard Ansher
Assistant Examiner—Adir Aronovich
Attorney, Agent, or Firm—Weingarten, Schurgin,
Gagnebin & Hayes

[57] CLAIM

The ornamental design for electronic drum, as shown.

DESCRIPTION

FIG. 1 is a front perspective view of an electronic drum showing my new design;
FIG. 2 is a front view thereof;
FIG. 3 is a rear view thereof;
FIG. 4 is a right-side view thereof;
FIG. 5 is a left-side view thereof;
FIG. 6 is a top plan view thereof; and,
FIG. 7 is a bottom plan view thereof.

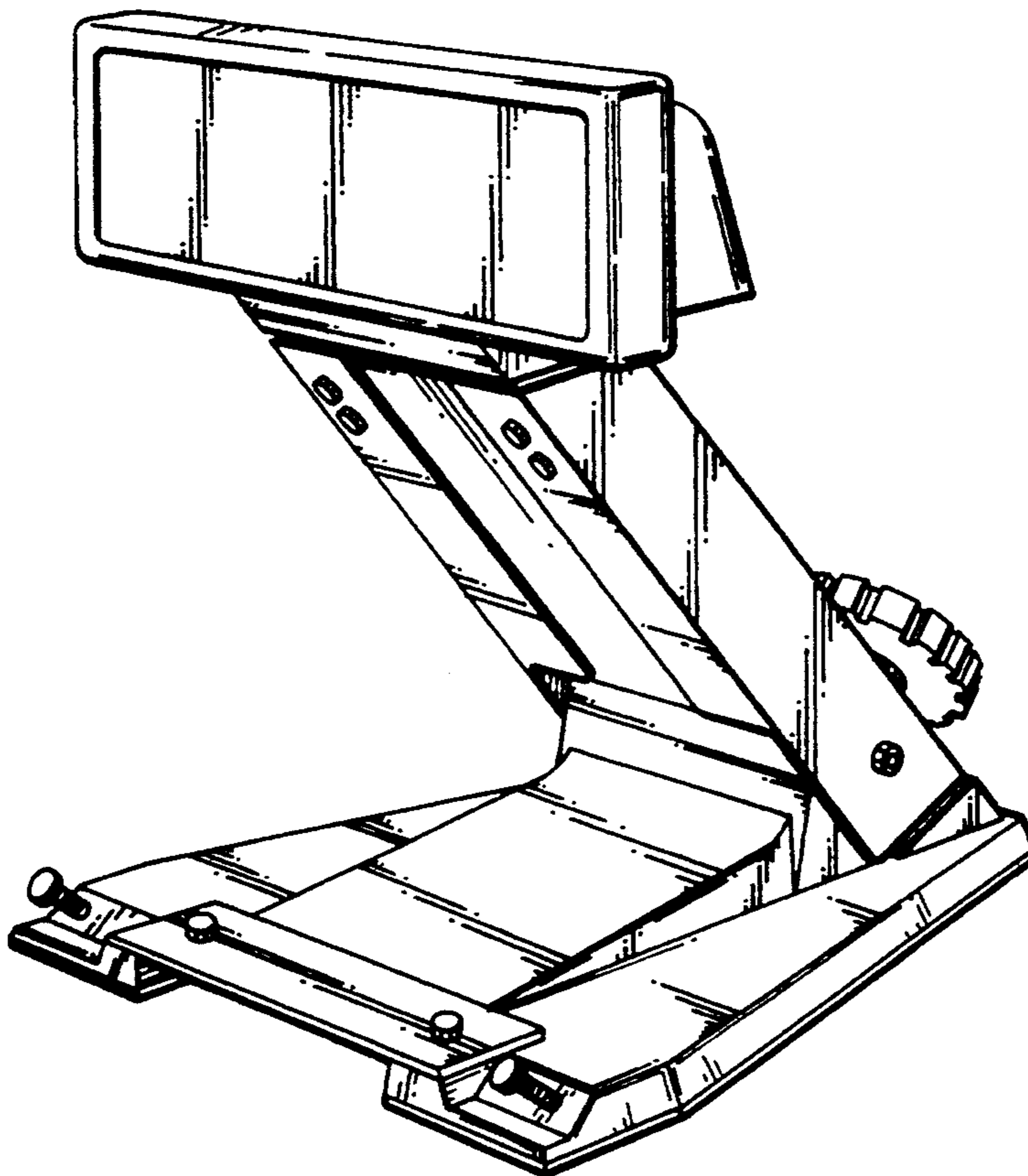


FIG. 1

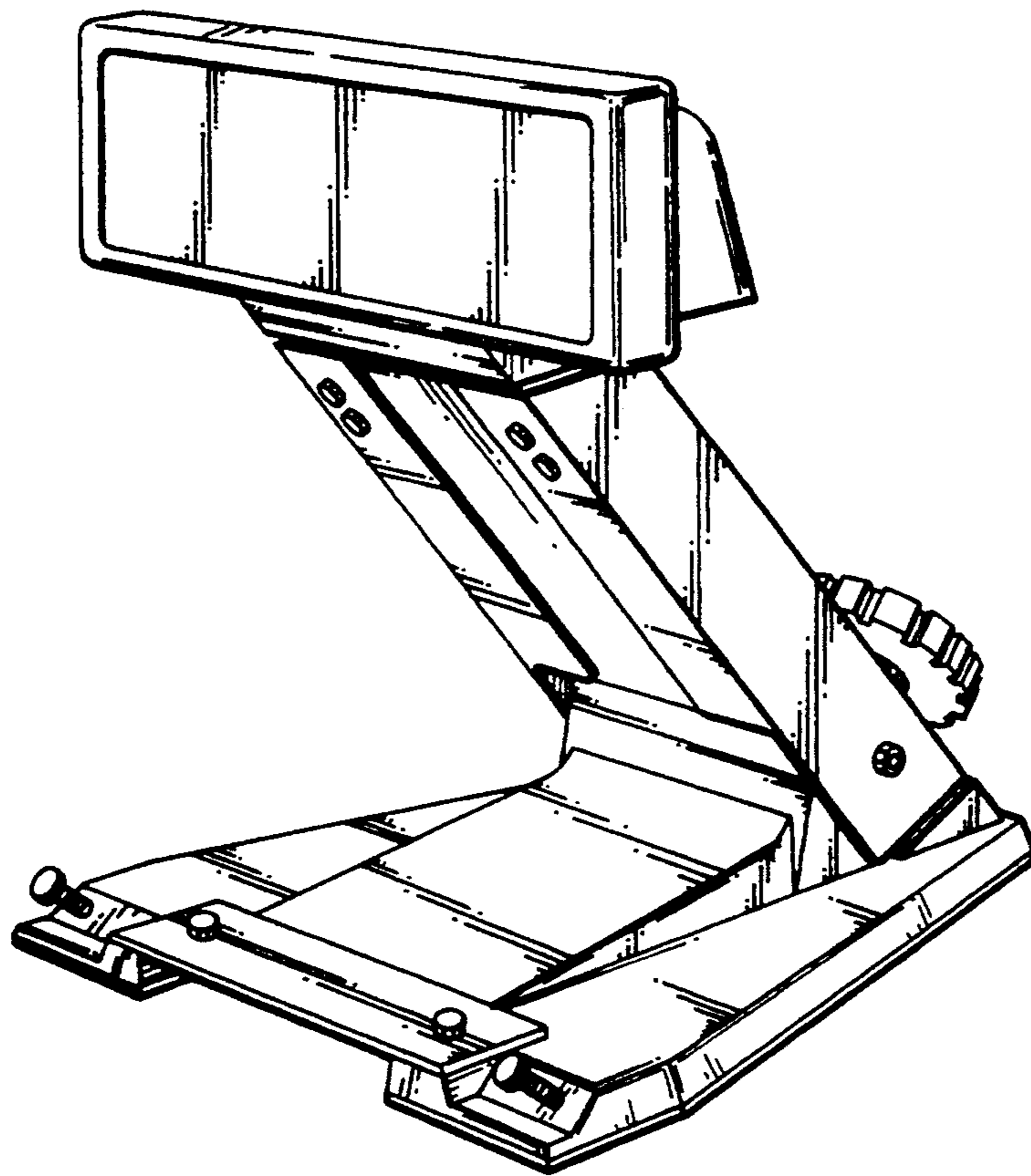


FIG.3

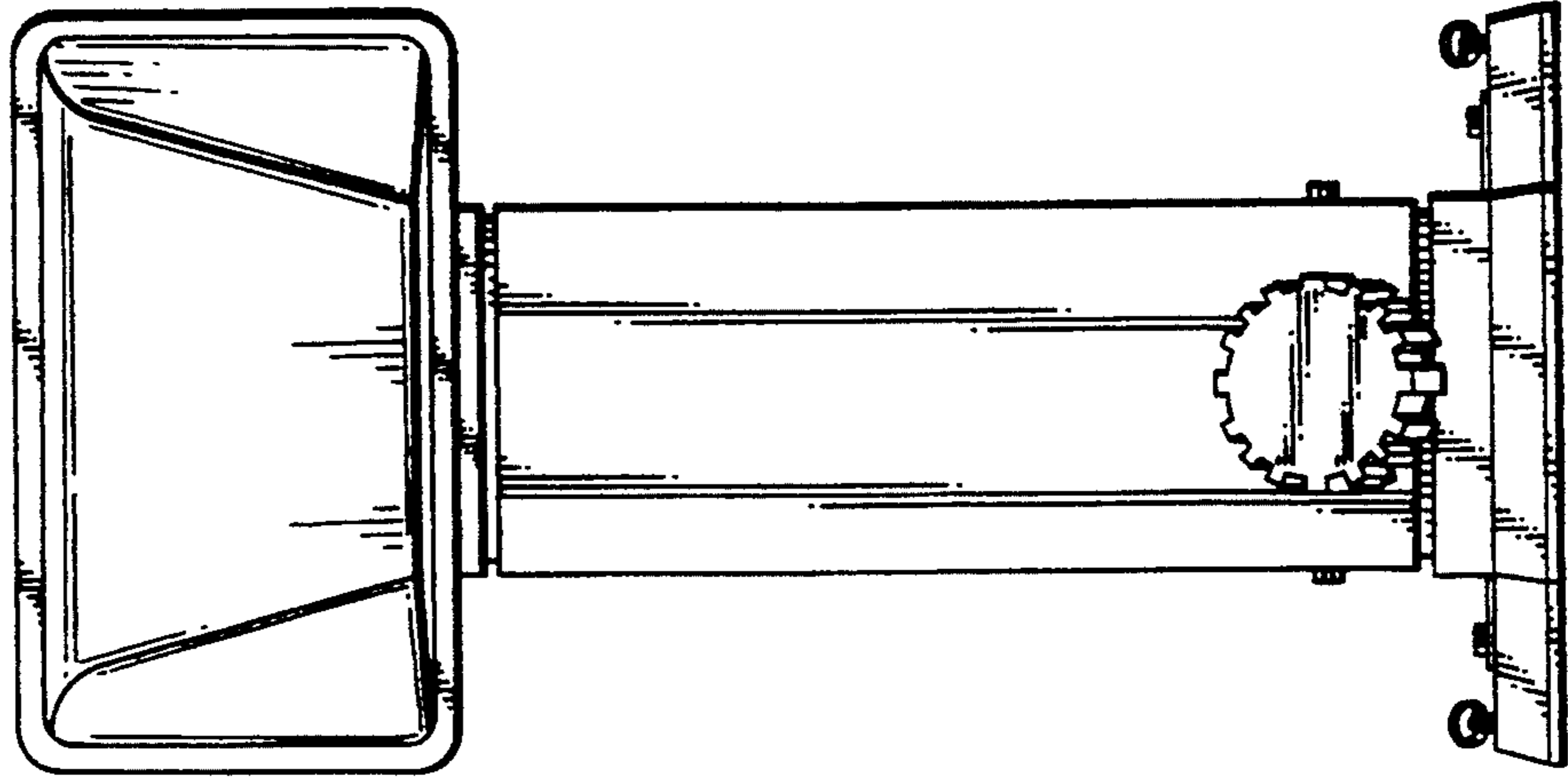


FIG.2

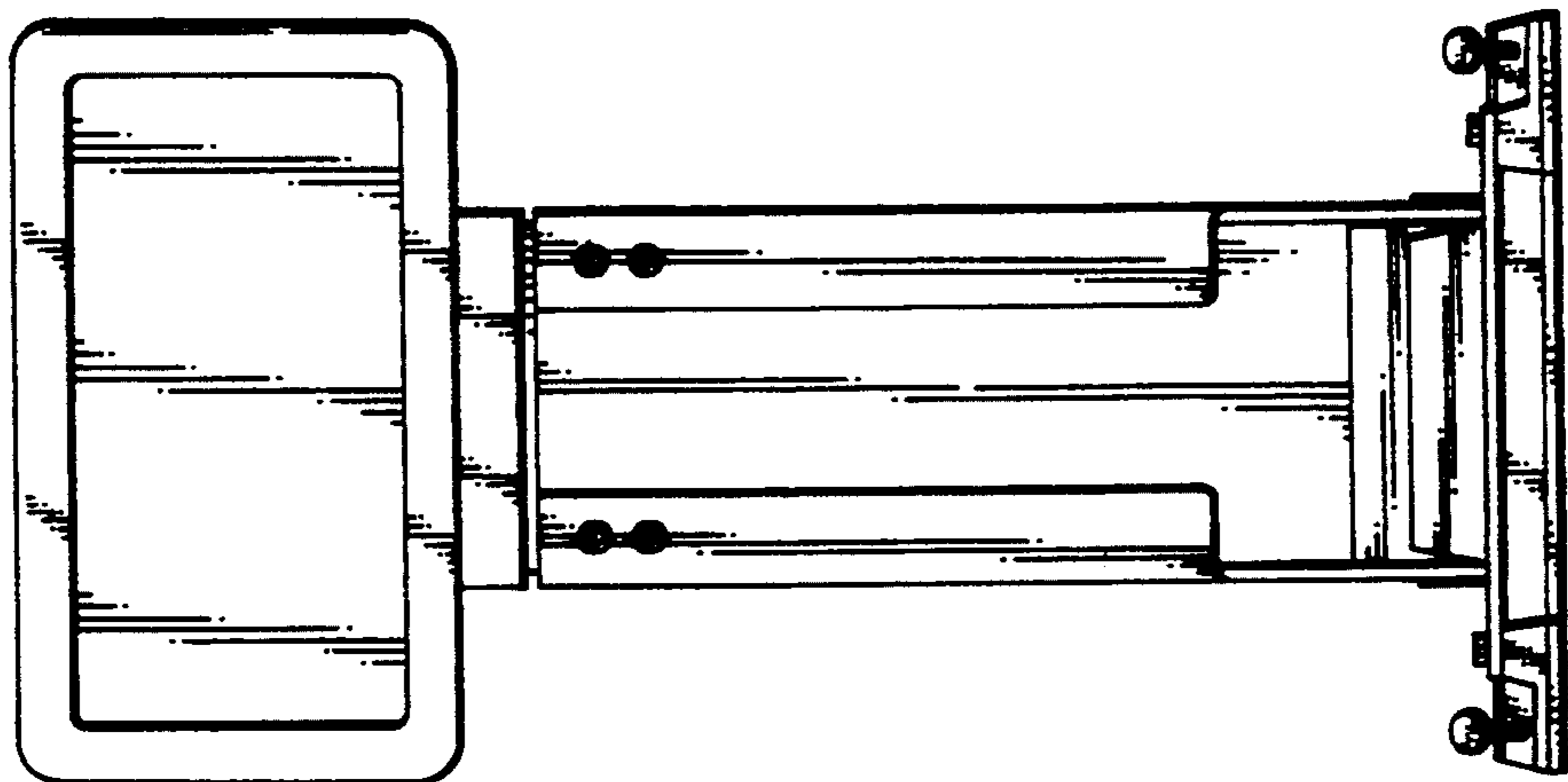


FIG.5

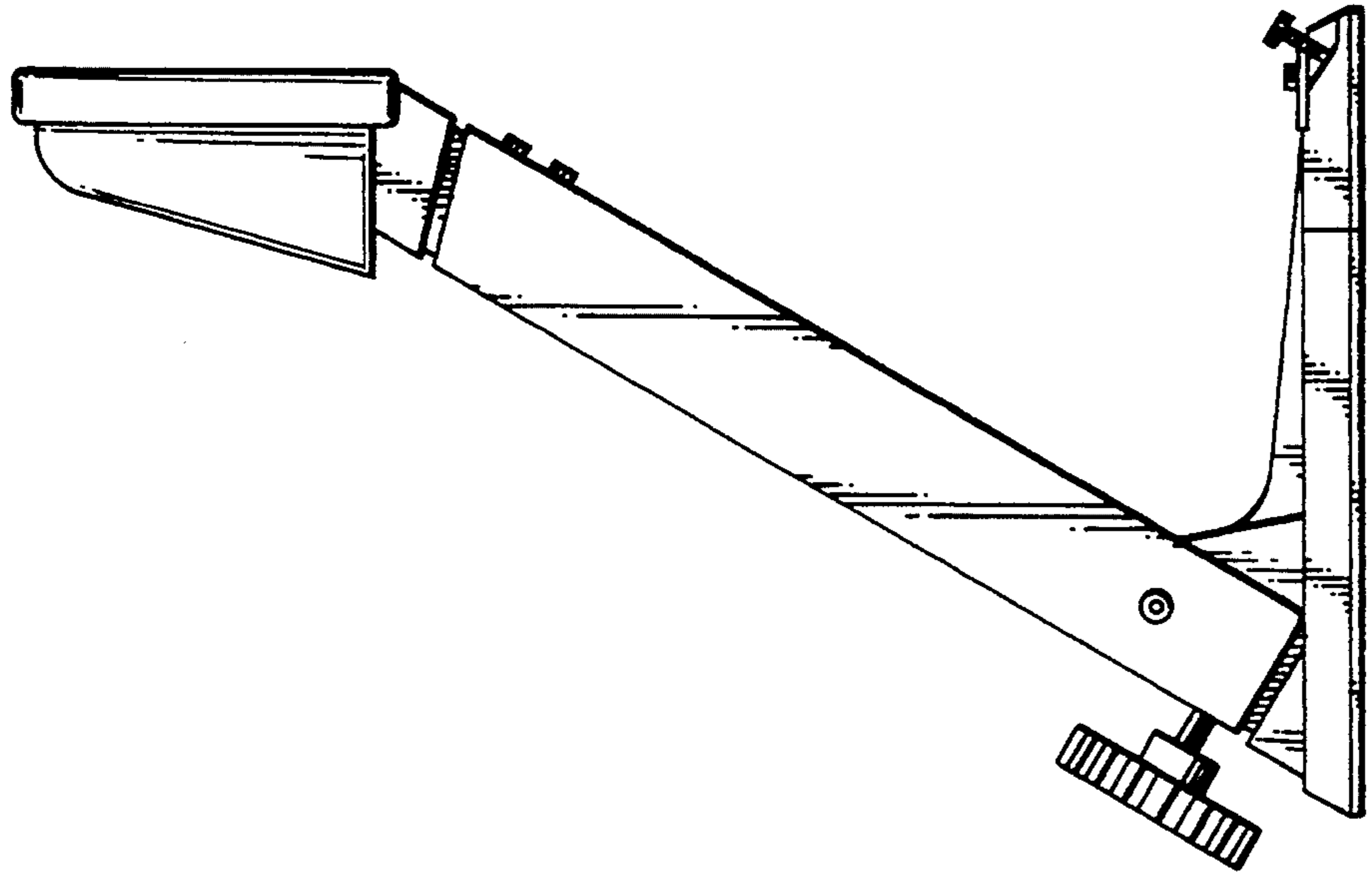


FIG.4

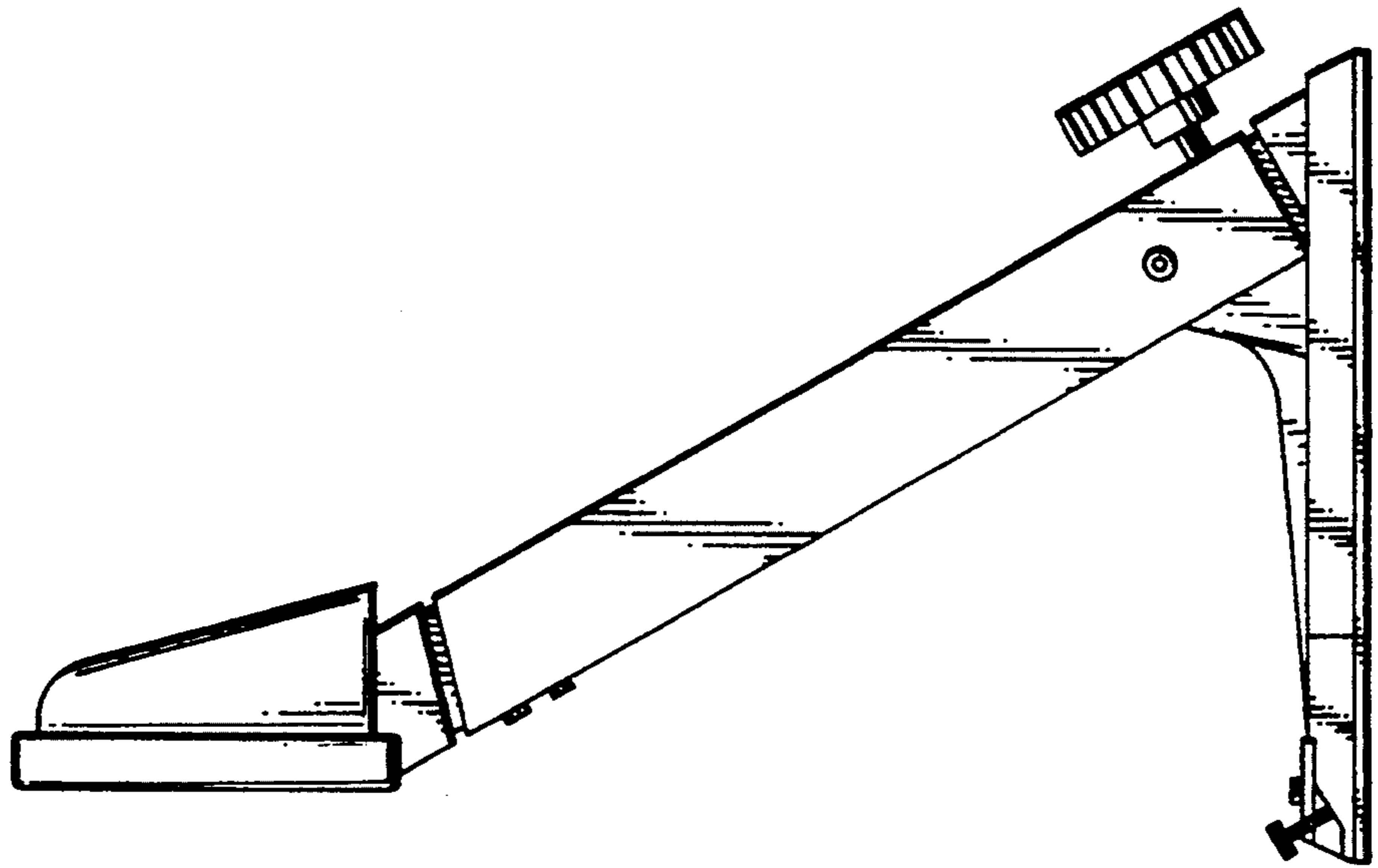


FIG.6

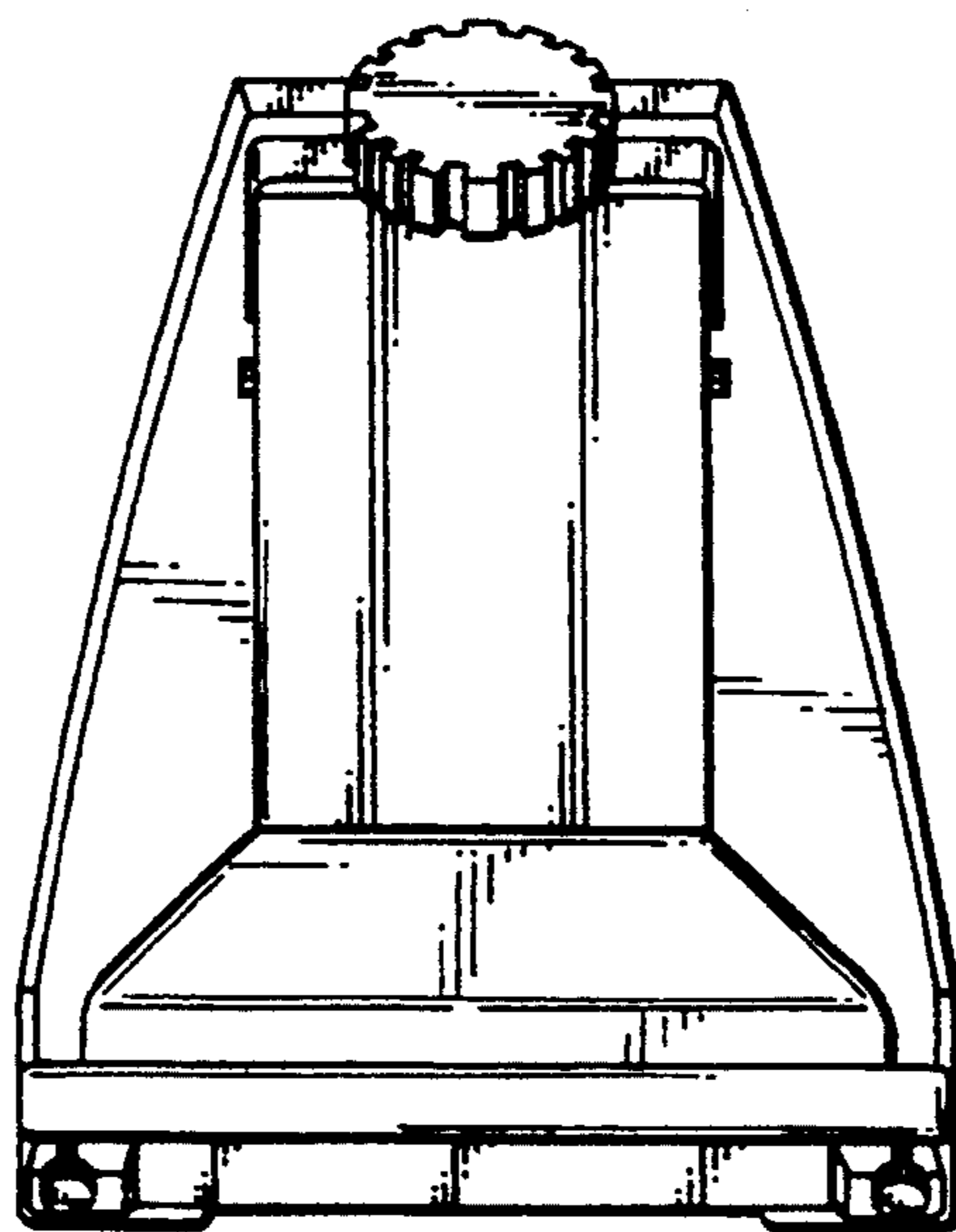


FIG.7

