



US00D353606S

United States Patent [19]

[11] Patent Number: **Des. 353,606**

Horikiri et al.

[45] Date of Patent: **** Dec. 20, 1994**

[54] SINGLE USE CAMERA

[75] Inventors: **Kazuhisa Horikiri; Koji Yoshida,**
both of Tokyo, Japan

[73] Assignee: **Fuji Photo Film Co., Ltd., Kanagawa,**
Japan

[**] Term: **14 Years**

[21] Appl. No.: **15,667**

[22] Filed: **Nov. 24, 1993**

[30] Foreign Application Priority Data

May 24, 1993 [JP] Japan 5-15078

[52] U.S. Cl. **D16/208; D16/209**

[58] Field of Search **D9/307, 414, 418, 432;**
354/64, 75, 126, 149.11, 202, 288;
D16/200-205, 208, 209, 212, 217, 218

[56] References Cited

U.S. PATENT DOCUMENTS

D. 323,842	2/1992	Arai	D16/208
D. 325,741	4/1992	Arai	D16/208
D. 325,922	5/1992	Arai	D16/208
D. 328,912	8/1992	Arai et al.	D16/208
D. 330,564	10/1992	Kohno et al.	D16/208
D. 335,297	5/1993	Kawagoe	D16/208
D. 345,569	3/1994	Yasunaga et al.	D16/208

FOREIGN PATENT DOCUMENTS

0527430	2/1993	European Pat. Off.	354/288
5-100302	4/1993	Japan	354/288
874835	8/1993	Japan	.	
2257801	1/1993	United Kingdom	354/288

OTHER PUBLICATIONS

Popular Photography, Dec. 1988 p. 134 (Fuji's Disposable Camera).

Primary Examiner—Melvin B. Feifer

Assistant Examiner—Adir Aronovich

Attorney, Agent, or Firm—Young & Thompson

[57] CLAIM

The ornamental design for a single use camera, as shown and described.

DESCRIPTION

FIG. 1 is a top, front and side perspective view of a single use camera showing our new design, in a first operative position thereof;

FIG. 2 is a front elevational view thereof;

FIG. 3 is a rear elevational view thereof;

FIG. 4 is a top plan view thereof;

FIG. 5 is a bottom plan view thereof;

FIG. 6 is an end elevational view thereof from the left of FIG. 2;

FIG. 7 is an end elevational view thereof from the right of FIG. 2; and,

FIG. 8 is a view similar to FIG. 2 but showing the same in another operative position thereof.

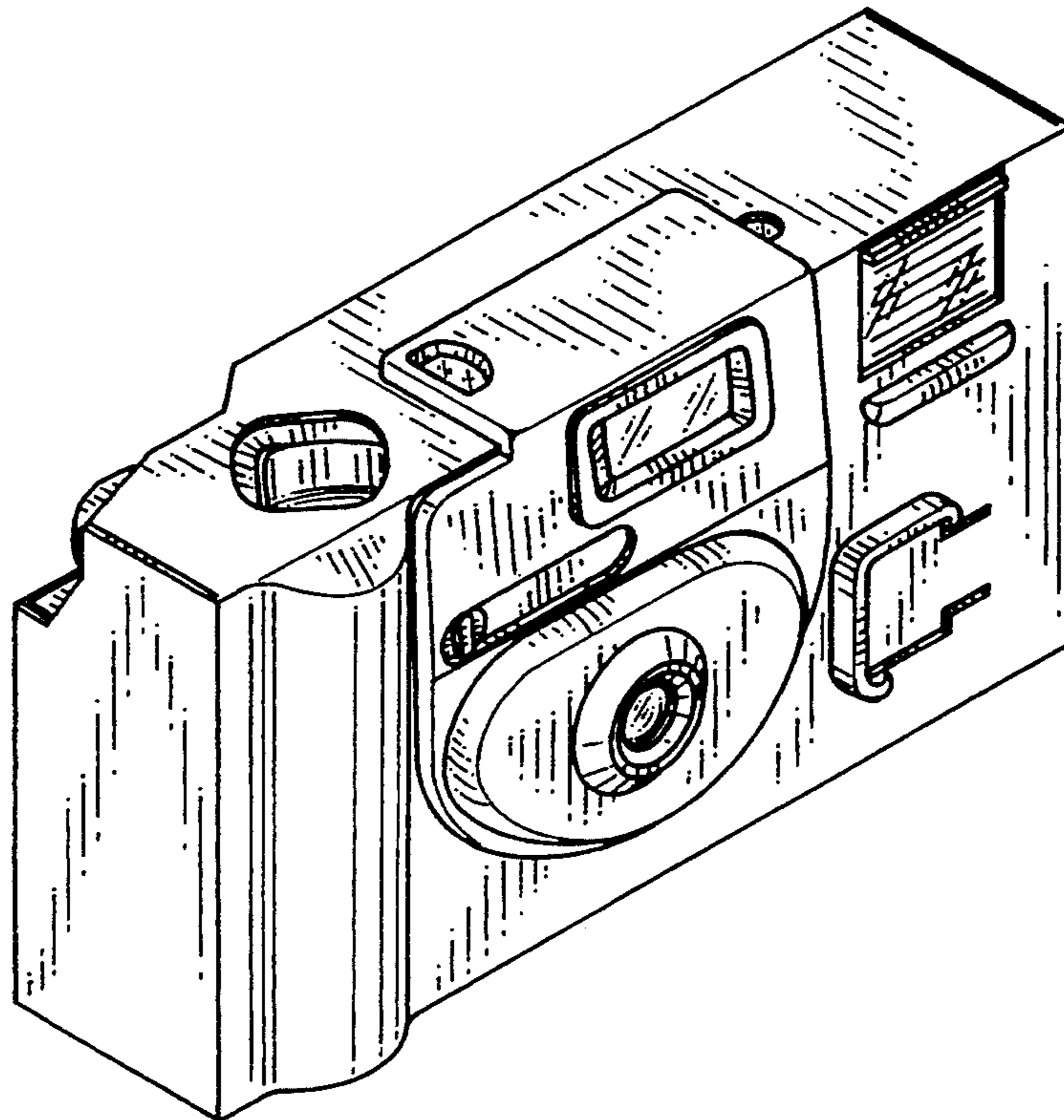


FIG. 1

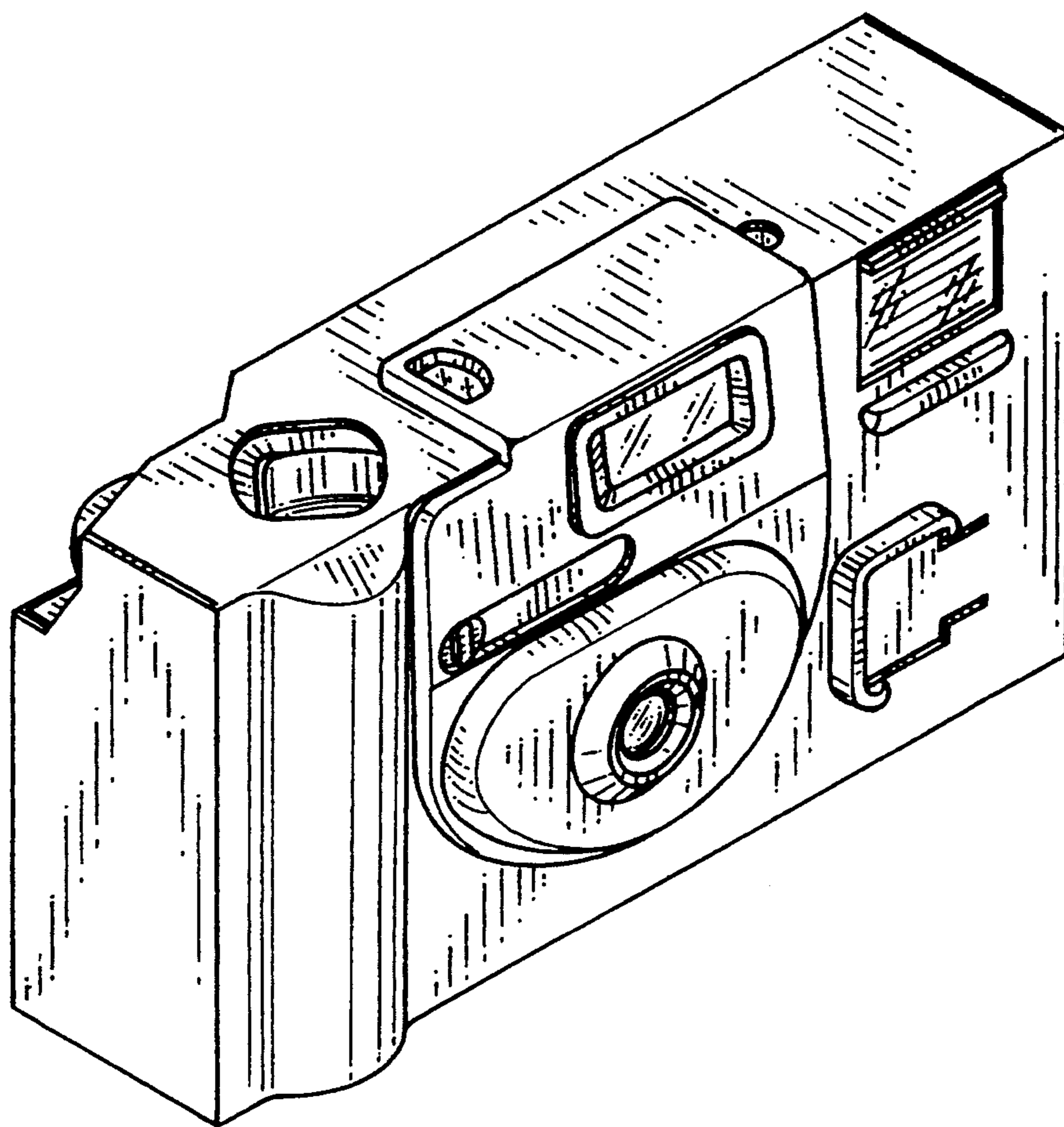


FIG. 2

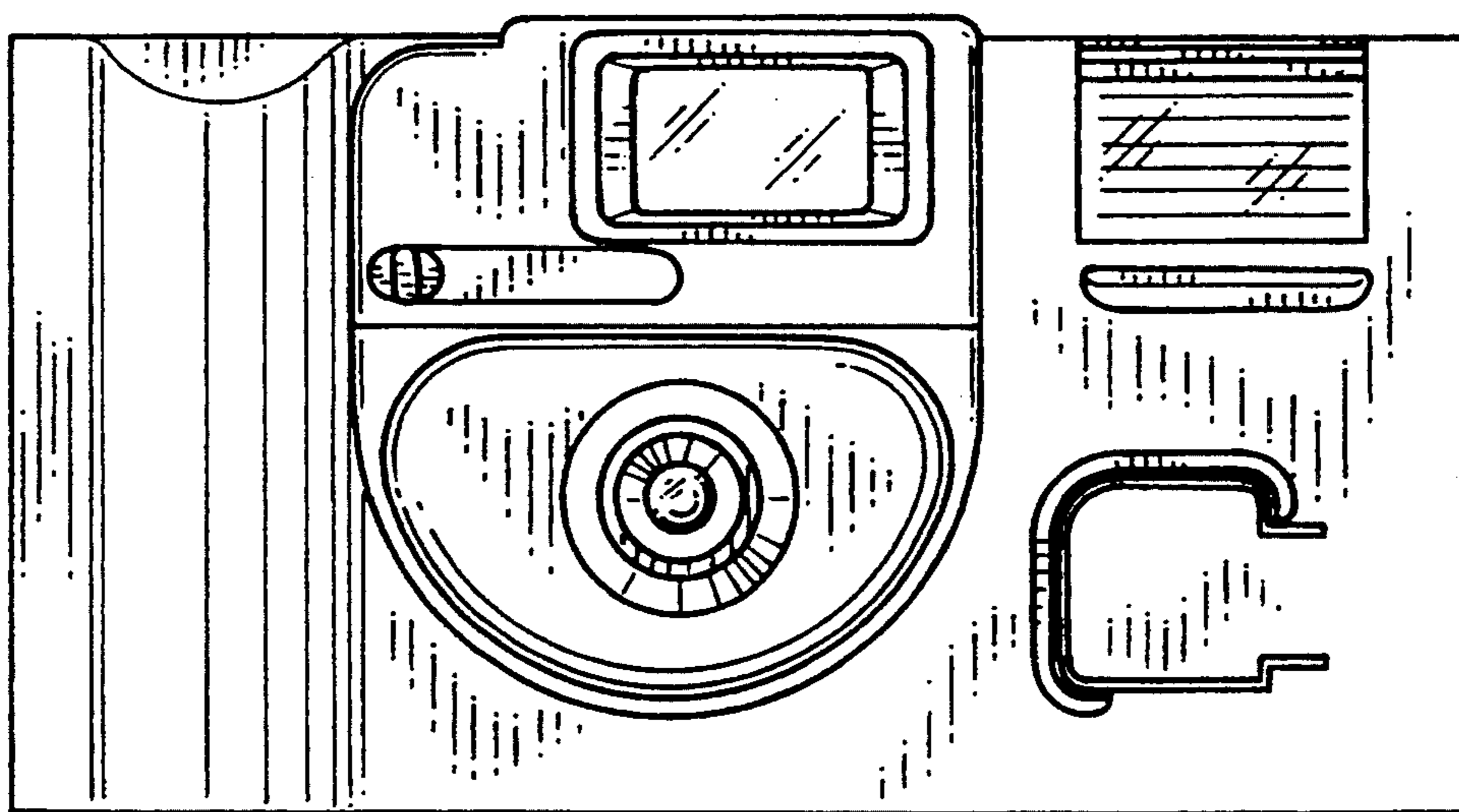


FIG. 3

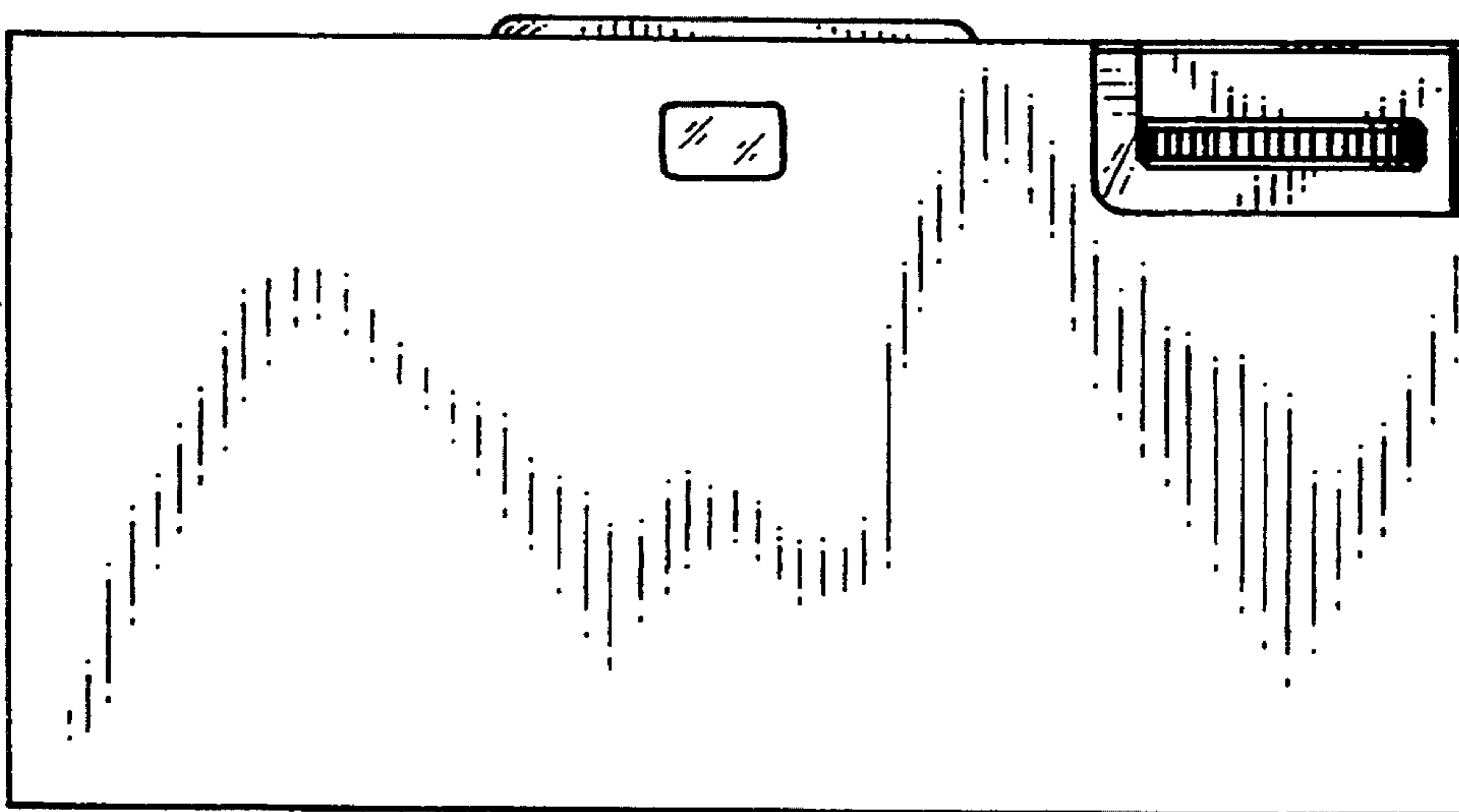


FIG. 4

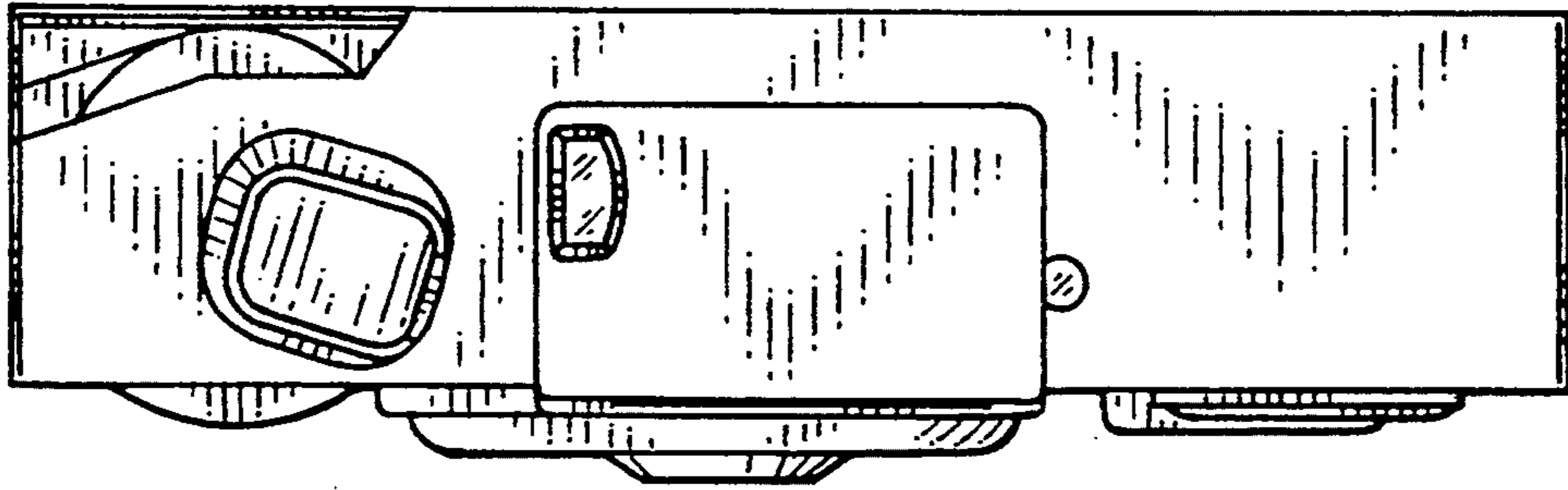


FIG. 5

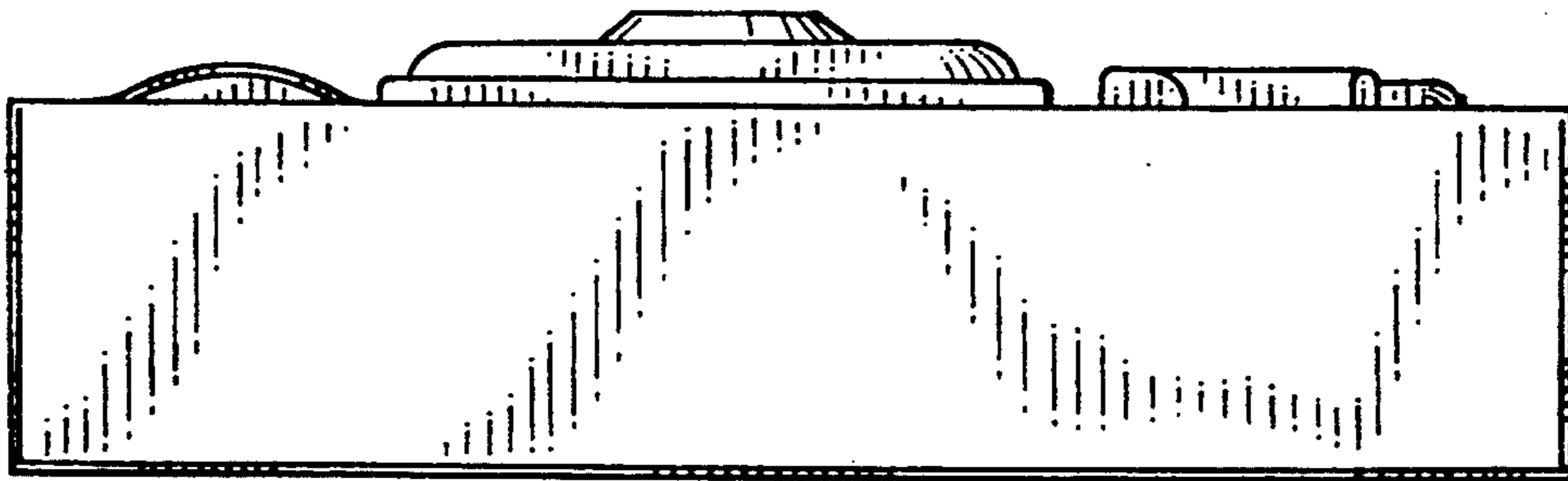


FIG. 6

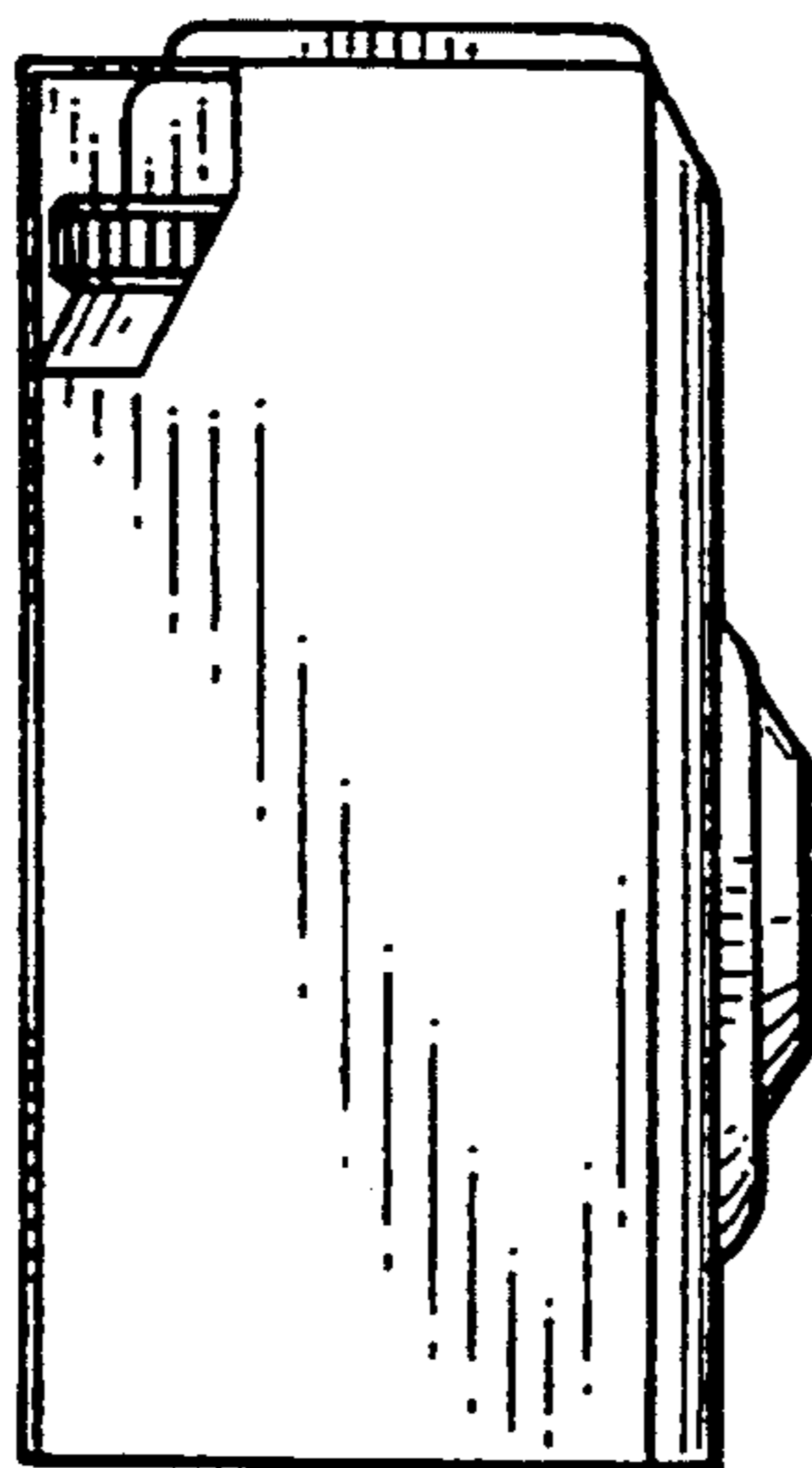


FIG. 7

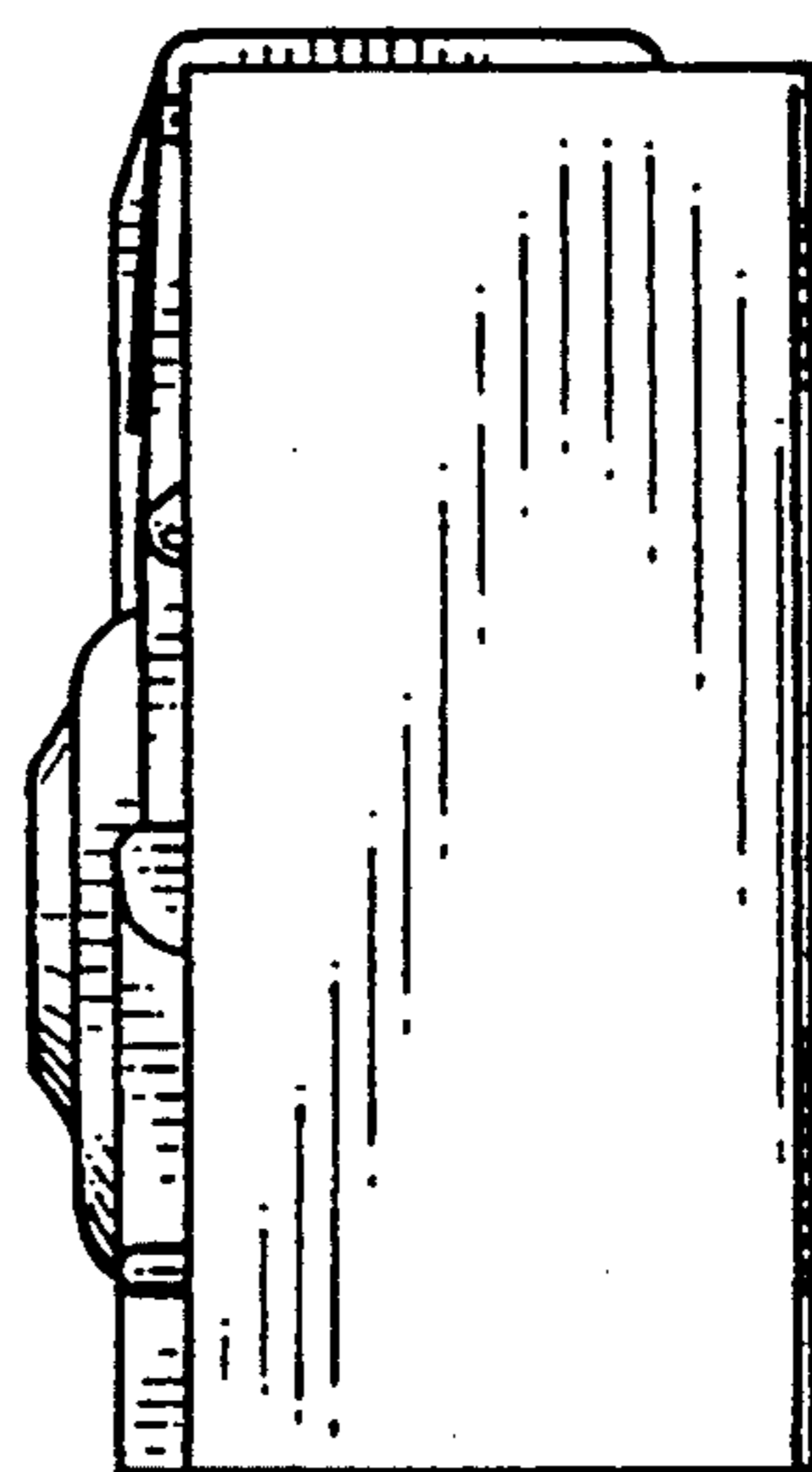


FIG. 8

