



US00D353605S

**United States Patent** [19]  
**Horikiri et al.**

[11] **Patent Number: Des. 353,605**  
[45] **Date of Patent: \*\* Dec. 20, 1994**

[54] **SINGLE USE CAMERA**

[75] **Inventors: Kazuhisa Horikiri; Koji Yoshida,**  
both of Tokyo, Japan

[73] **Assignee: Fuji Photo Film Co., Ltd., Kanagawa,**  
Japan

[\*\*] **Term: 14 Years**

[21] **Appl. No.: 15,666**

[22] **Filed: Nov. 24, 1993**

[30] **Foreign Application Priority Data**

May 24, 1993 [JP] Japan ..... 5-15077

[52] **U.S. Cl. .... D16/208**

[58] **Field of Search ..... D9/307, 414, 418, 432;**  
354/69, 75, 126, 149.11, 202, 288;  
D16/200-205, 208, 209, 212, 217, 218

[56] **References Cited**

**U.S. PATENT DOCUMENTS**

D. 323,842	2/1992	Arai	.....	D16/208
D. 325,741	4/1992	Arai	.....	D16/208
D. 325,922	5/1992	Arai	.....	D16/208
D. 328,911	8/1992	Arai et al.	.....	D16/208
D. 330,563	10/1992	Kohno et al.	.....	D16/208
D. 335,297	5/1993	Kawagoe	.....	D16/208
D. 338,220	8/1993	Kohno et al.	.....	D16/208
4,882,600	11/1989	Van De Moere	.....	354/64

**FOREIGN PATENT DOCUMENTS**

874835 8/1993 Japan .

**OTHER PUBLICATIONS**

Popular photography, Dec. 1988 p. 134 (Kodak's 35mm Fling).

*Primary Examiner*—Melvin B. Feifer  
*Assistant Examiner*—Adir Aronovich  
*Attorney, Agent, or Firm*—Young & Thompson

[57] **CLAIM**

The ornamental design for a single use camera, as shown and described.

**DESCRIPTION**

FIG. 1 is a top, front and side perspective view of a single use camera showing our new design, in a first operative position thereof;  
FIG. 2 is a front elevational view thereof;  
FIG. 3 is a rear elevational view thereof;  
FIG. 4 is a top plan view thereof;  
FIG. 5 is a bottom plan view thereof;  
FIG. 6 is an end elevational view thereof from the left of FIG. 2;  
FIG. 7 is an end elevational view thereof from the right of FIG. 2; and,  
FIG. 8 is a view similar to FIG. 2 but showing the same in another operative position thereof.

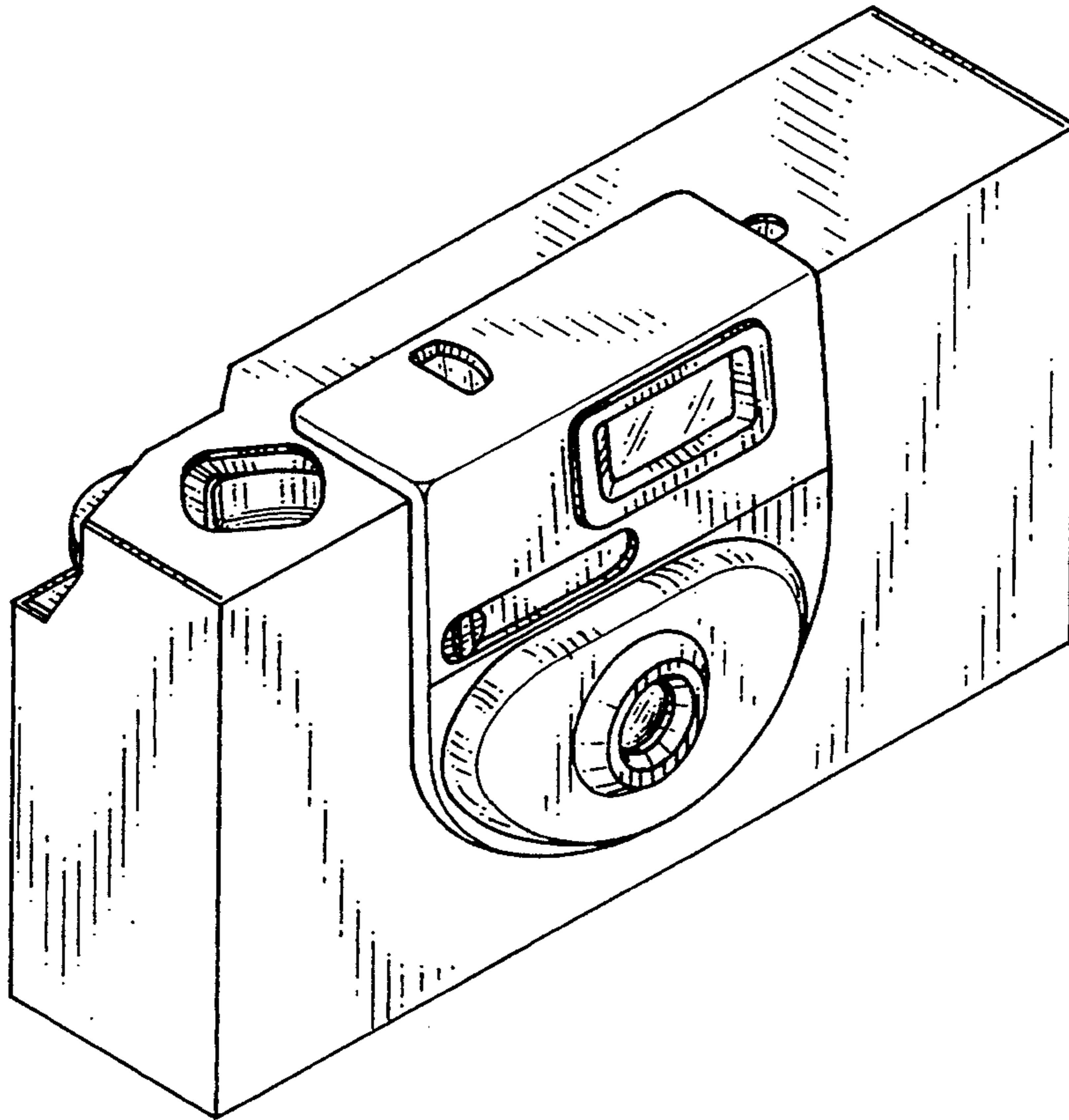


FIG. 1

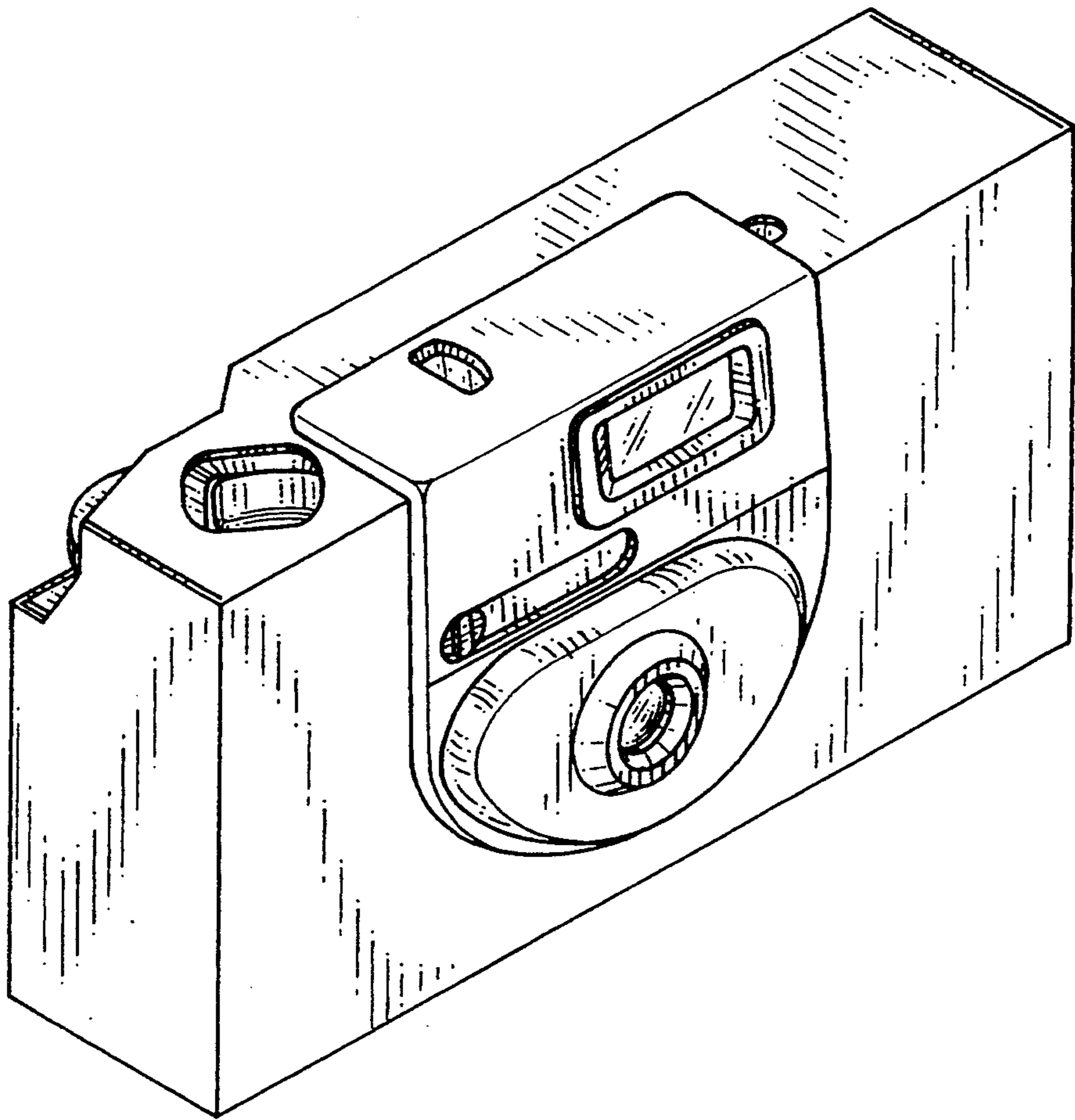


FIG. 2

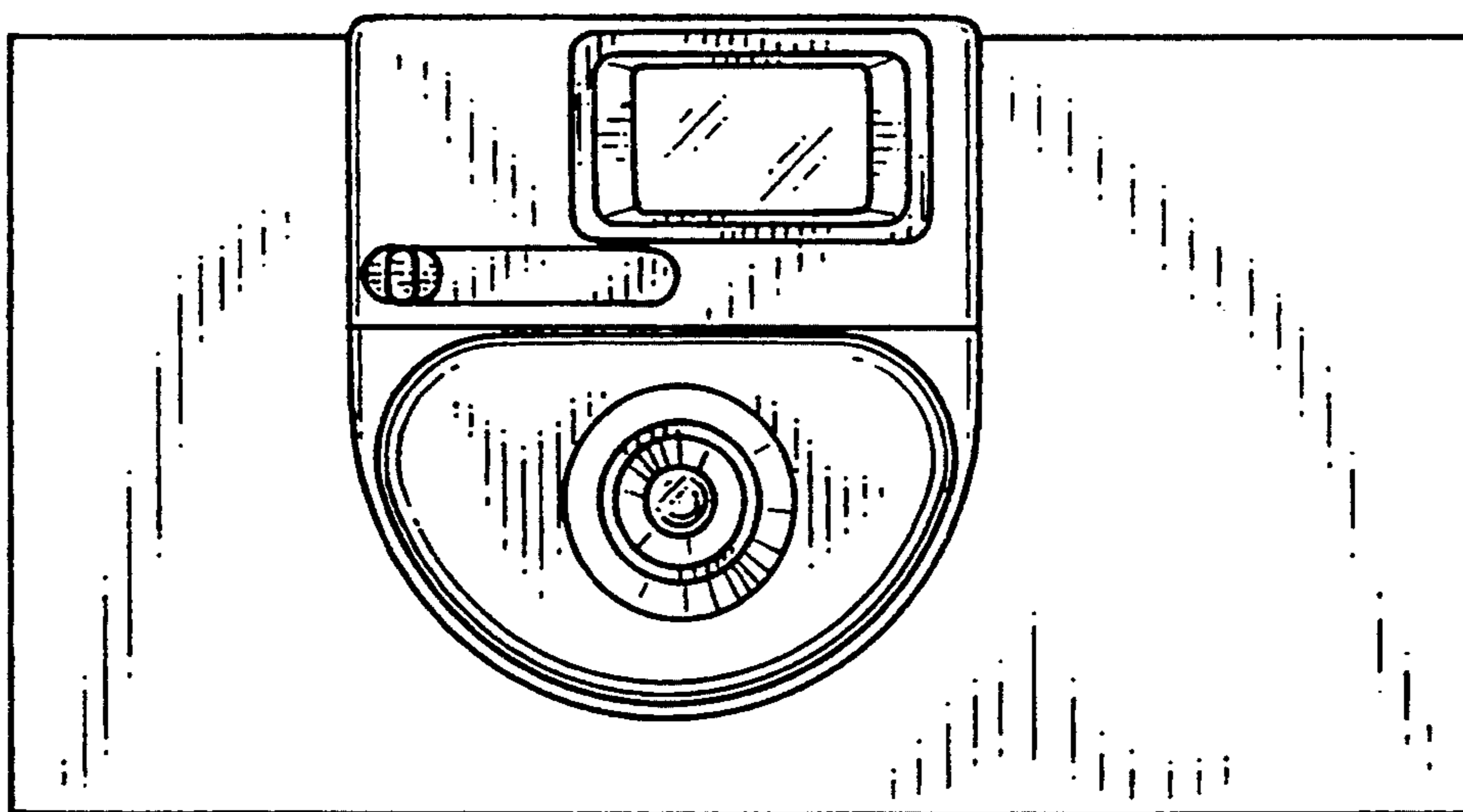


FIG. 3

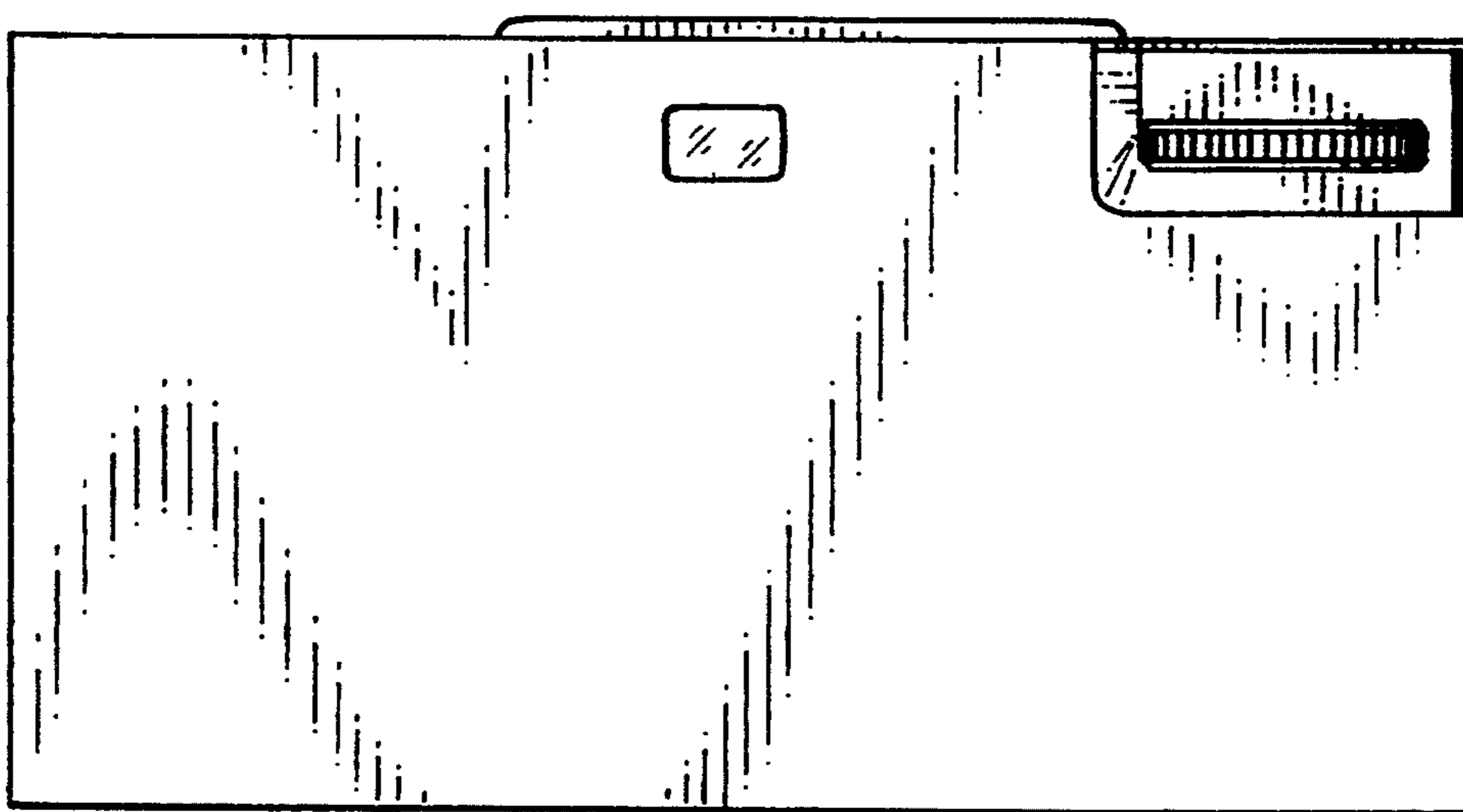


FIG. 4

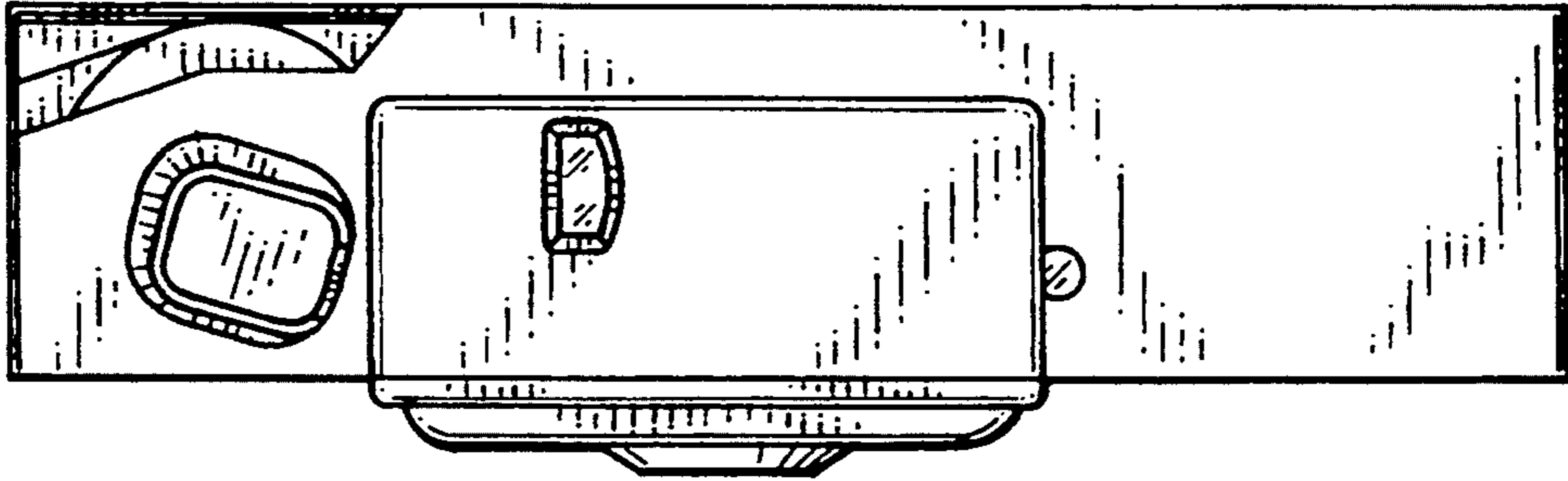


FIG. 5

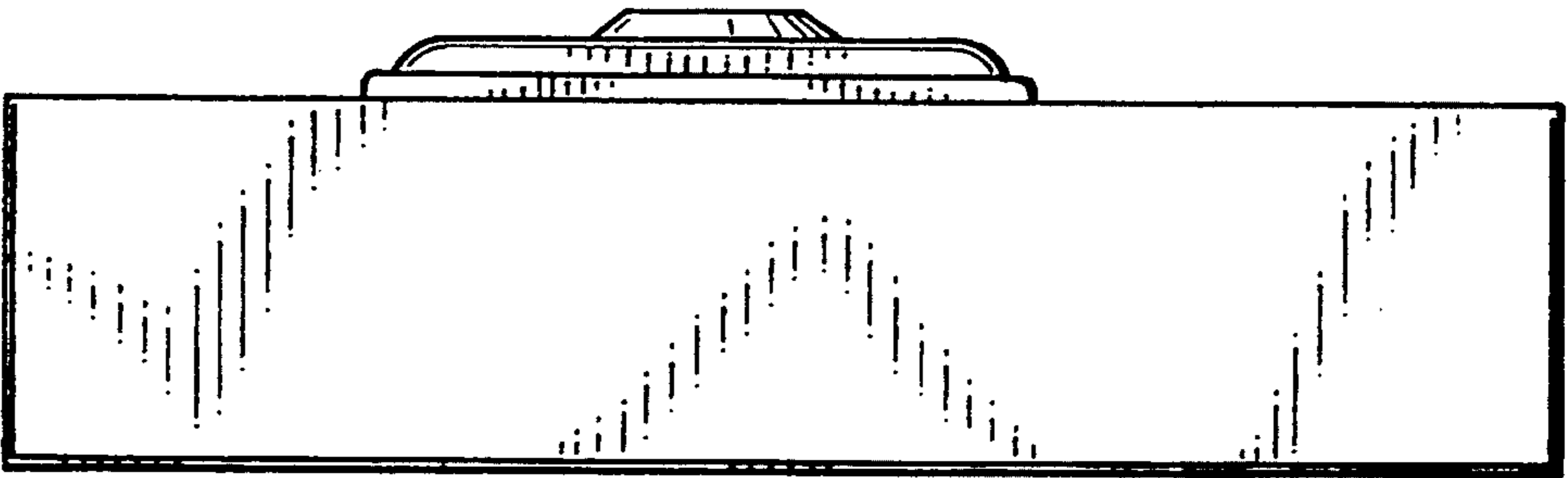


FIG. 6

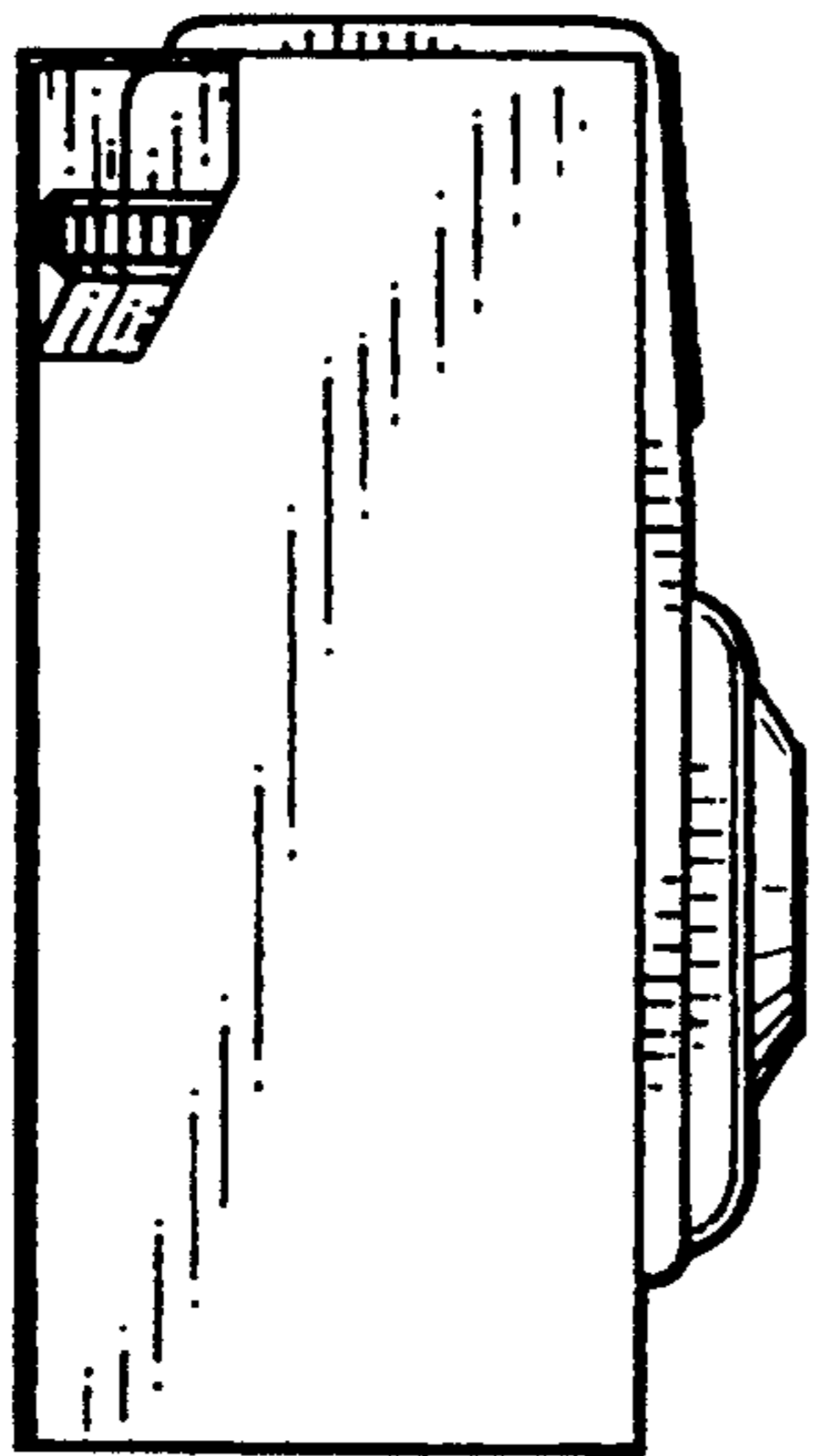


FIG. 7



FIG. 8

