



US00D353604S

United States Patent [19]

[11] Patent Number: **Des. 353,604**

Prokop et al.

[45] Date of Patent: **** Dec. 20, 1994**

[54] **POUCH LAMINATOR**

[56] **References Cited**

[75] Inventors: **Gary F. Prokop, Berwyn; Randall P. Bell, River Forest; Walter B. Herbst, Evanston, all of Ill.**

U.S. PATENT DOCUMENTS

D. 341,845 11/1993 Caruso et al. D15/146
D. 342,532 12/1993 Deni D15/146
4,941,310 7/1990 Kristen 53/512

[73] Assignee: **General Binding Corporation, Northbrook, Ill.**

Primary Examiner—Alan P. Douglas
Assistant Examiner—Antoine D. Davis
Attorney, Agent, or Firm—Hill, Steadman & Simpson

[**] Term: **14 Years**

[57] **CLAIM**

The ornamental design for a pouch laminator, as shown.

[21] Appl. No.: **11,943**

DESCRIPTION

[22] Filed: **Aug. 18, 1993**

[52] U.S. Cl. **D15/146**

[58] Field of Search 53/373, 374.8, 374.9,
53/390, 450, 432, 433, 434, 510, 511, 512, DIG.
2; 156/497, 583.1-583.91; D15/145, 146

FIG. 1 is a front, left side perspective view of a pouch laminator showing our new design;
FIG. 2 is a top plan view thereof;
FIG. 3 is a right side elevational view thereof;
FIG. 4 is a front elevational view thereof; and,
FIG. 5 is a rear elevational view thereof.

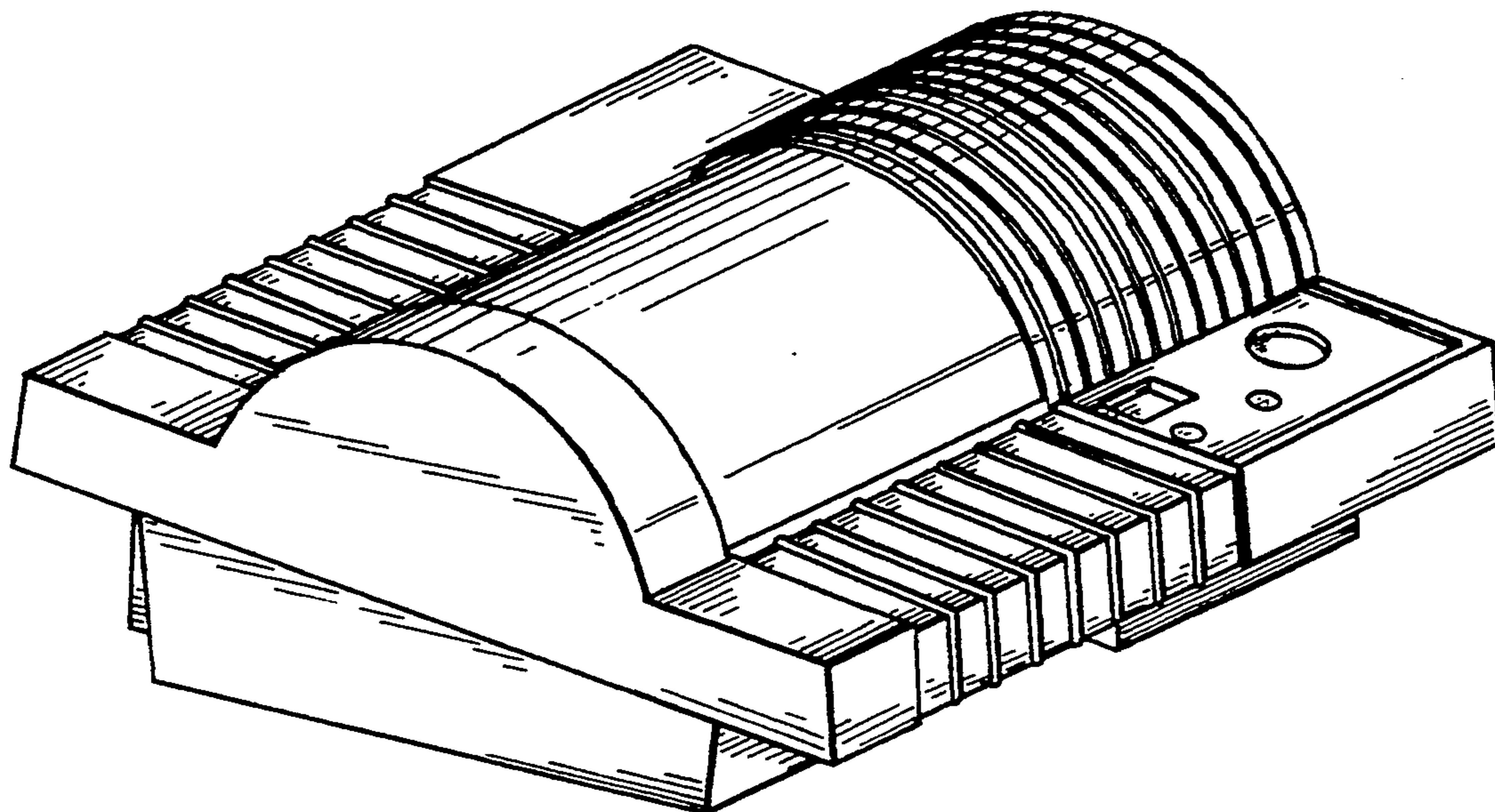


FIG. 1

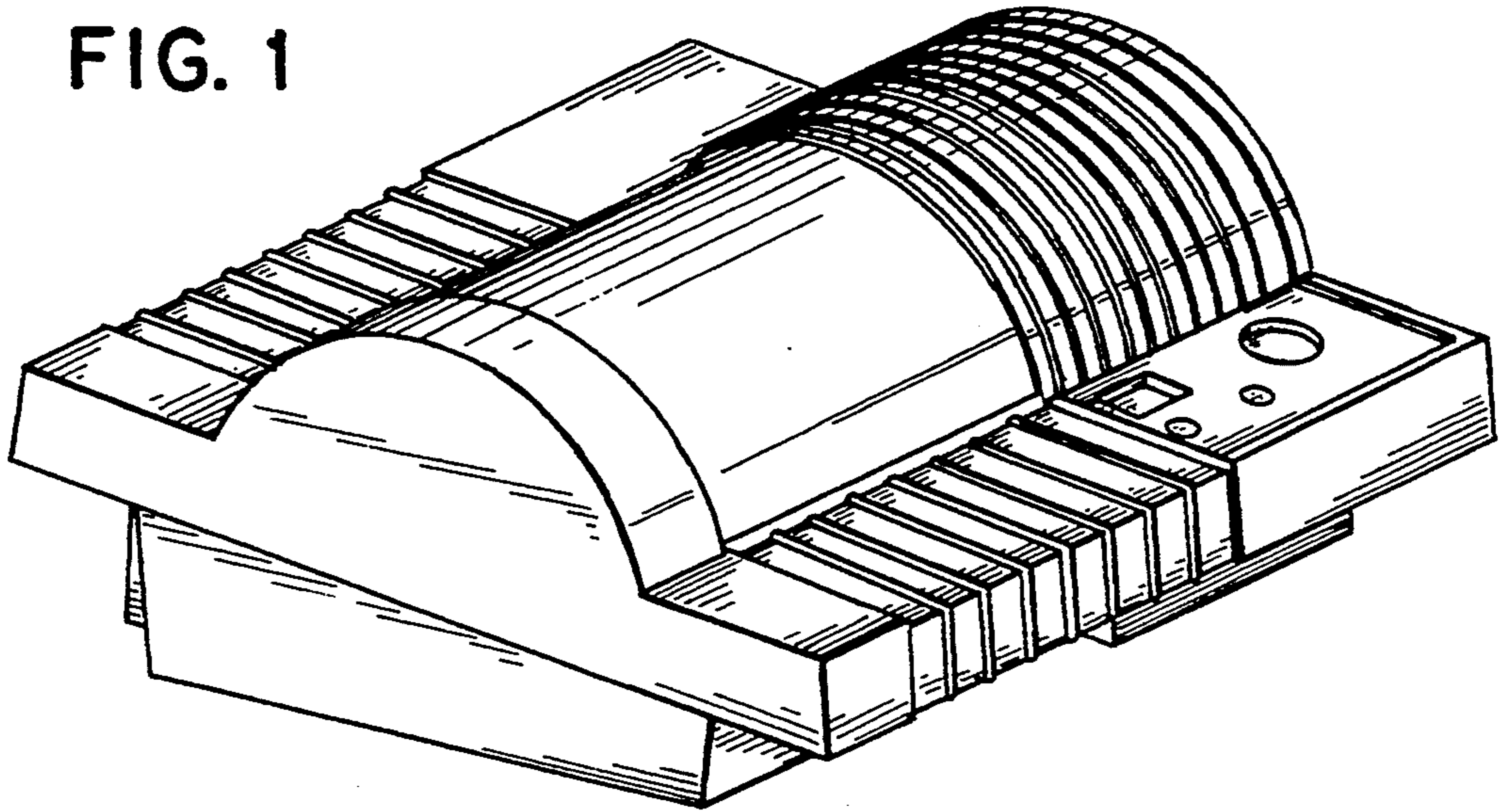


FIG. 2

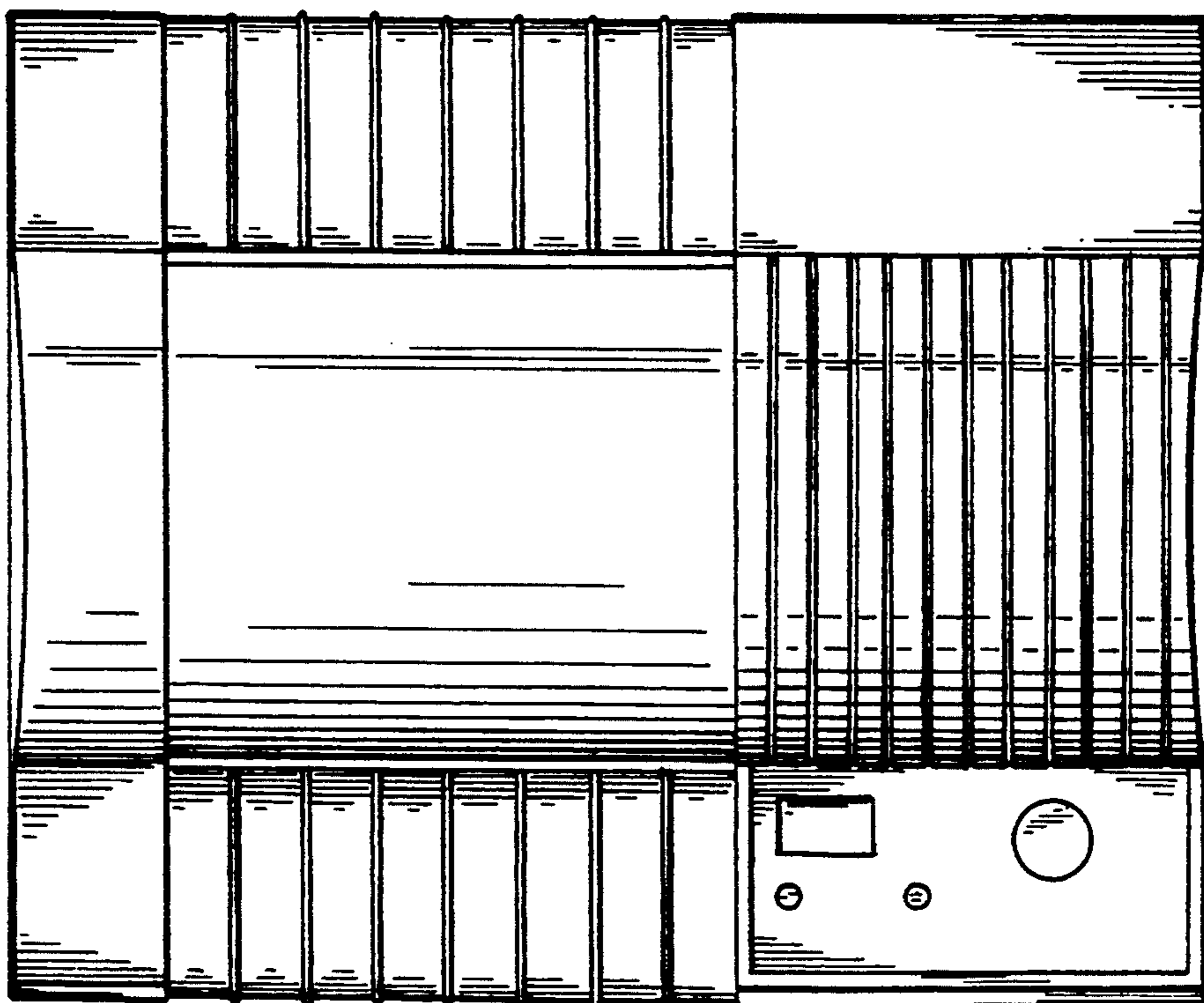


FIG. 3

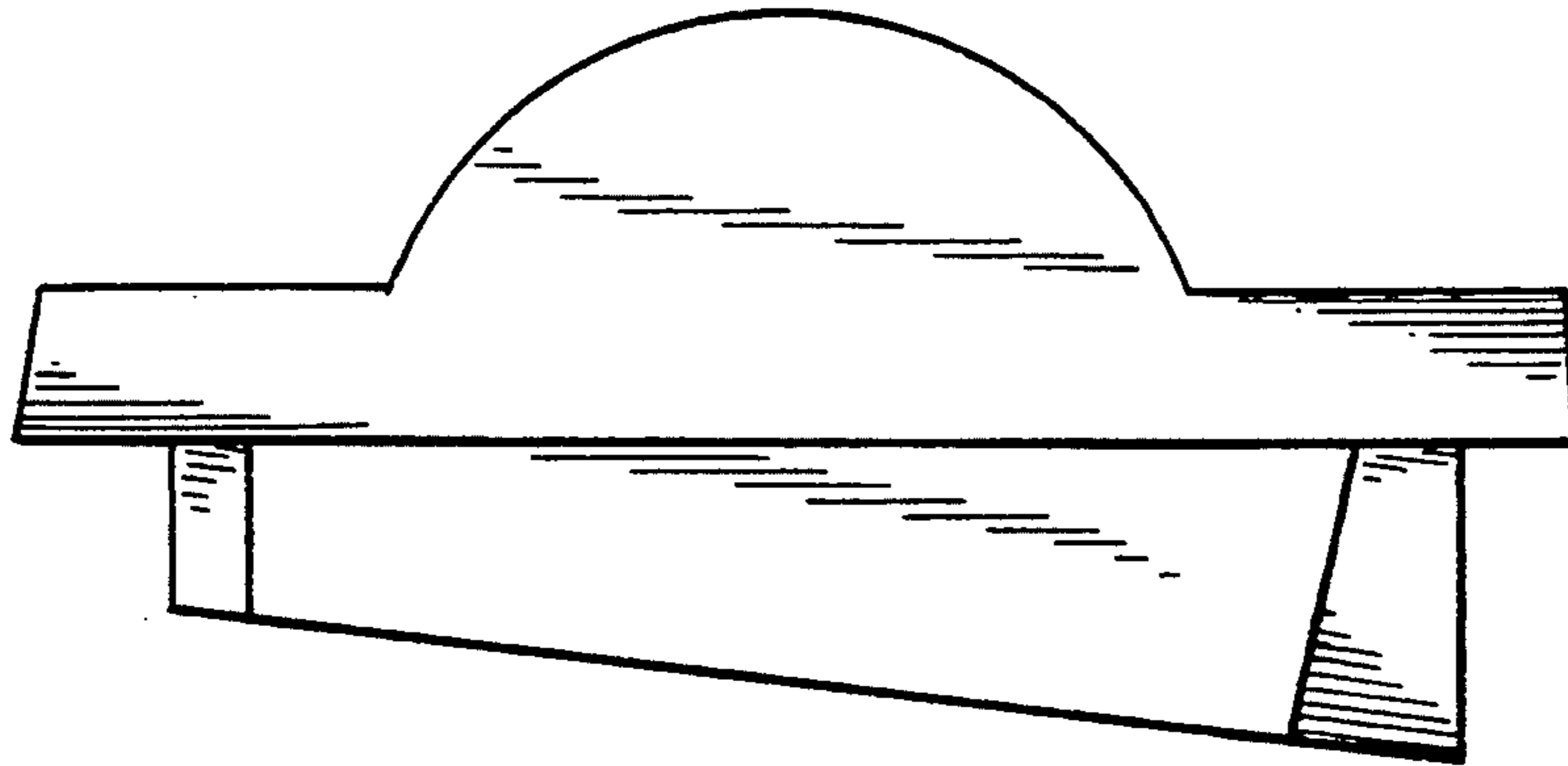


FIG. 4

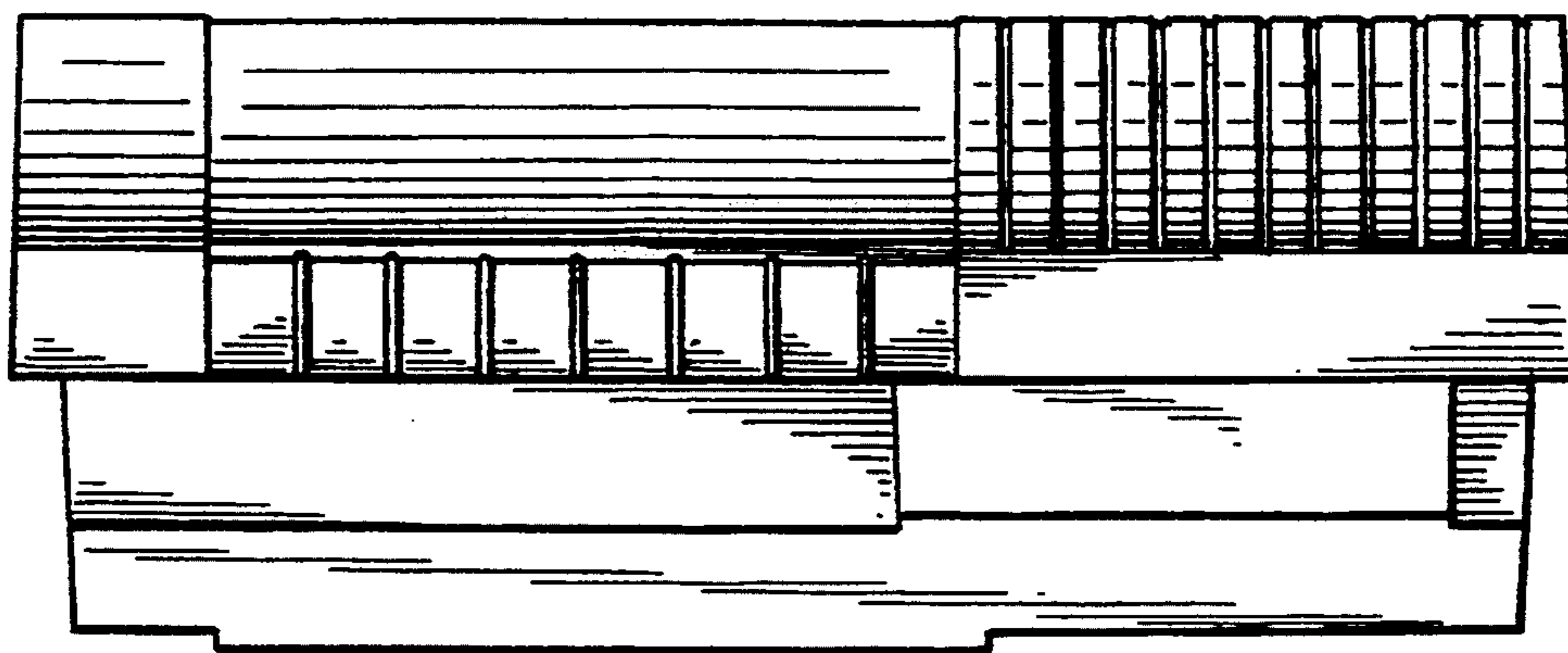


FIG. 5

