



US00D353603S

# United States Patent [19]

Hamrin

[11] Patent Number: **Des. 353,603**

[45] Date of Patent: **\*\* Dec. 20, 1994**

[54] **GLASS PANEL HOLDER FOR AN INFRARED HEATER**

[75] Inventor: **Karl-Arvid Hamrin, Kungsör, Sweden**

[73] Assignee: **Infrarodteknik AB, Sweden**

[\*\*] Term: **14 Years**

[21] Appl. No.: **781,331**

[22] Filed: **Oct. 22, 1991**

[30] **Foreign Application Priority Data**

Apr. 22, 1991 [NO] Norway ..... D910324

[52] U.S. Cl. .... **D15/199; D8/71; D15/140**

[58] Field of Search ..... D8/349, 380, 71, 72; D23/341, 1 W, 1 Y, 1, 39, 41; D15/144.1, 199, 140

[56] **References Cited**

**U.S. PATENT DOCUMENTS**

4,859,821 9/1989 Meyer et al. .... 34/41

*Primary Examiner*—Wallace R. Burke

*Assistant Examiner*—Robin V. Taylor

*Attorney, Agent, or Firm*—Davis, Bujold & Streck

[57] **CLAIM**

The ornamental design for a glass panel holder for an infrared heater, as shown.

**DESCRIPTION**

FIG. 1 is a front elevational view of a glass panel holder for an infrared heater showing my new design;

FIG. 2 is a front, top, right side perspective view thereof;

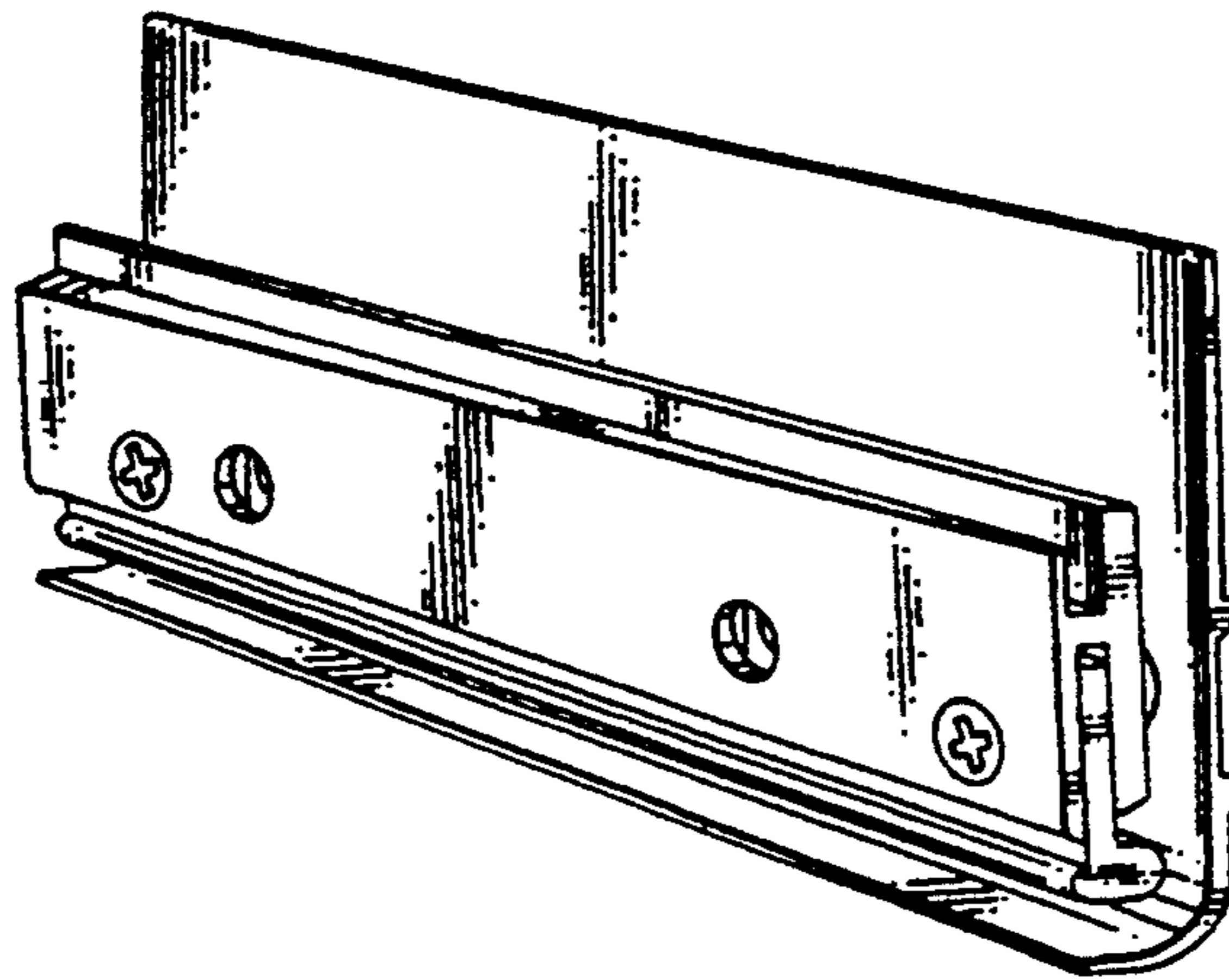
FIG. 3 is a top plan view thereof;

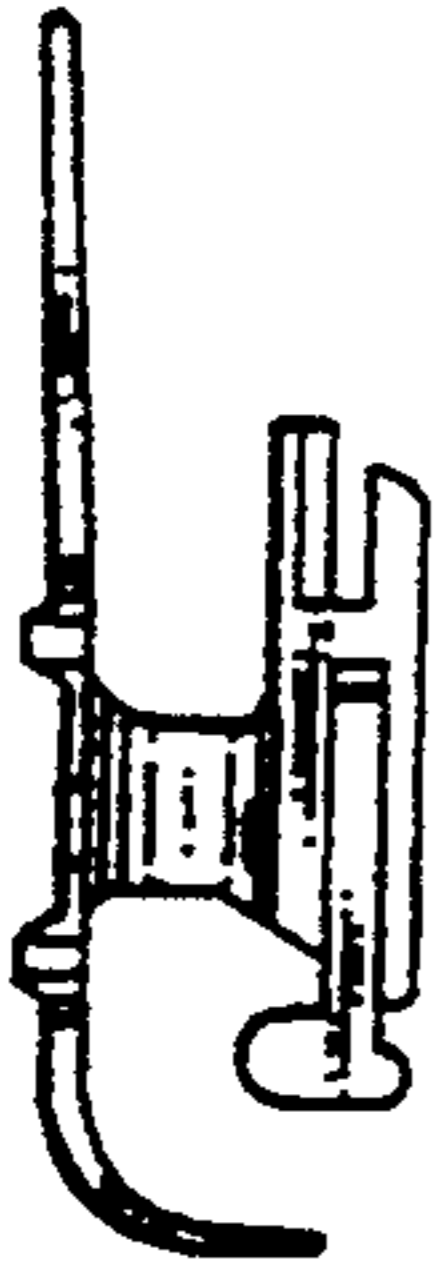
FIG. 4 is a right side elevational view thereof;

FIG. 5 is a rear elevational view thereof;

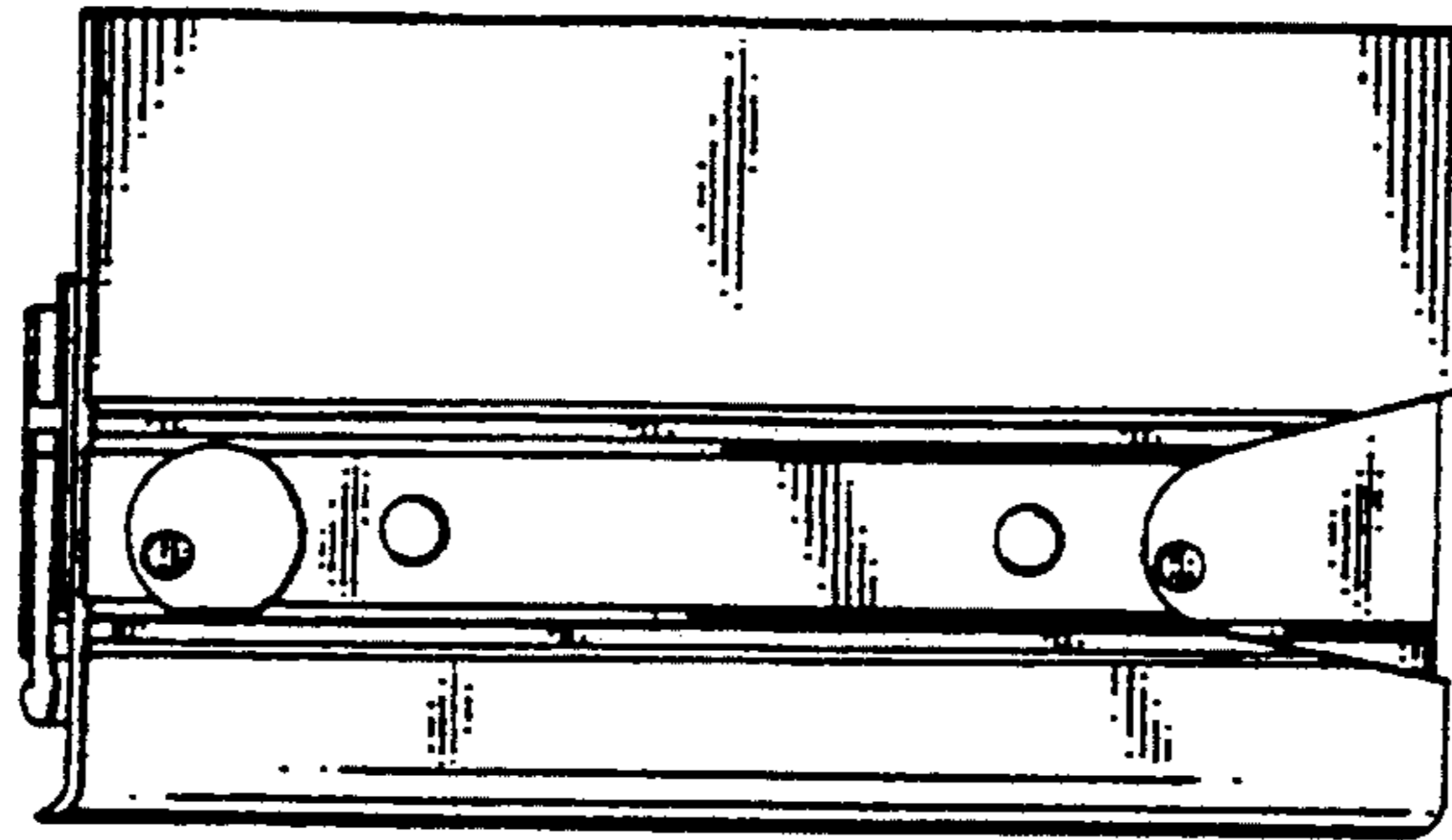
FIG. 6 is a left side elevational view thereof; and,

FIG. 7 is a bottom plan view thereof.

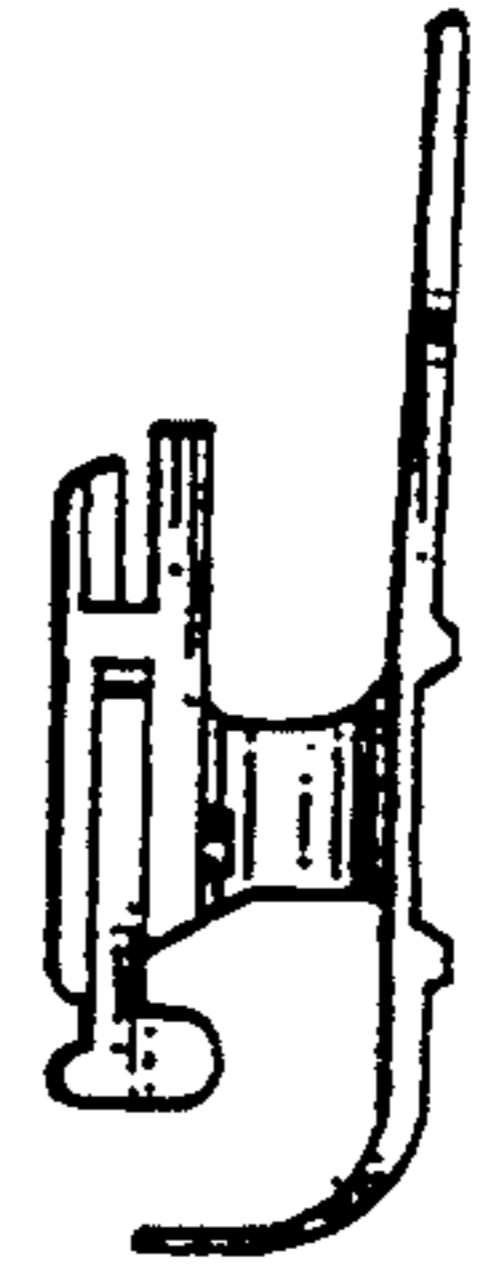




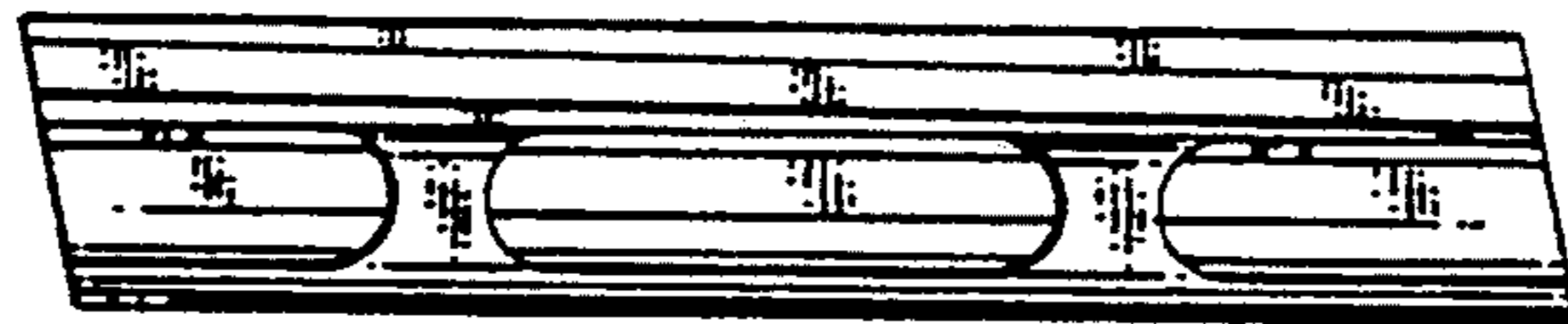
**FIG. 6**



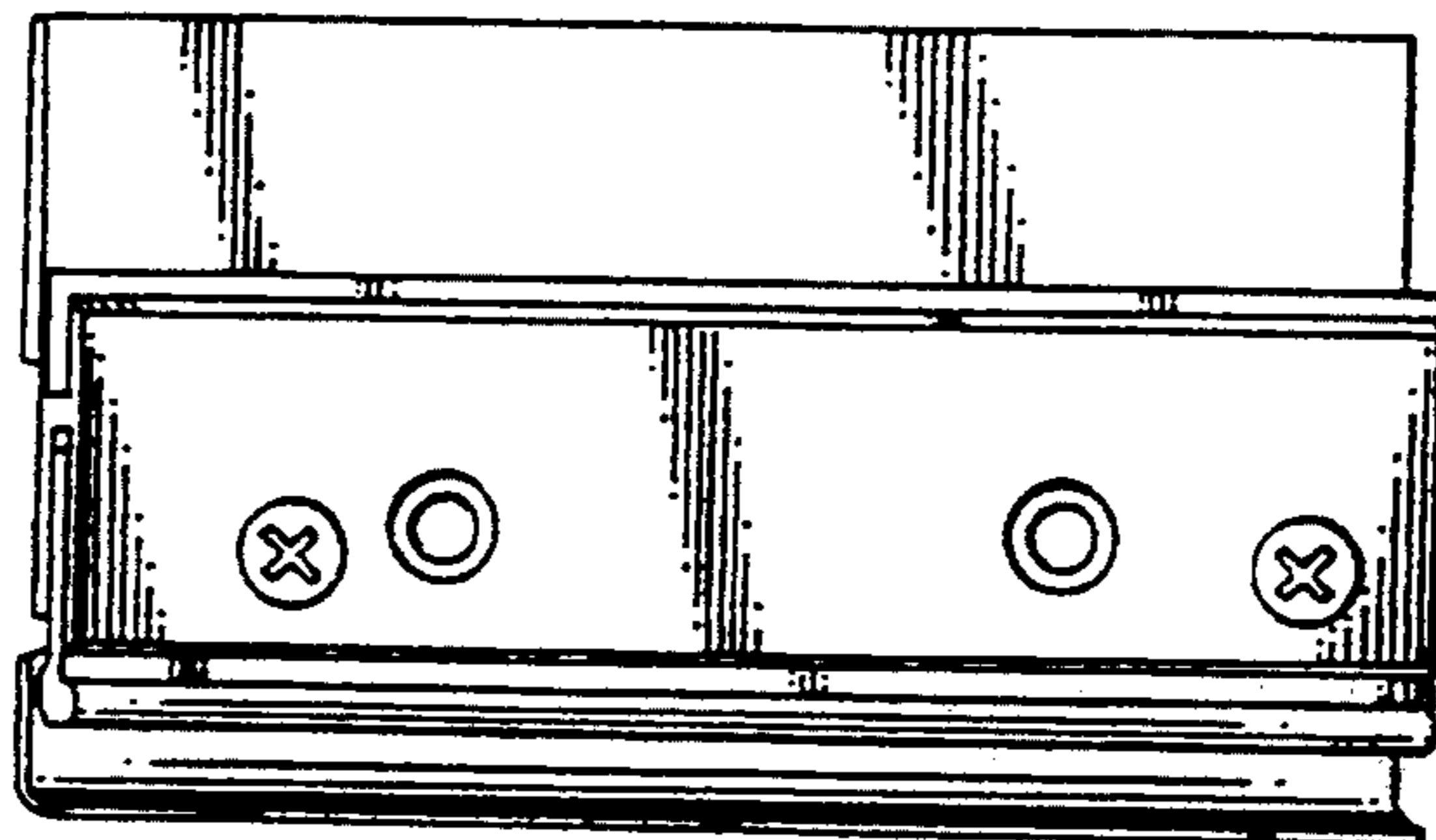
**FIG. 5**



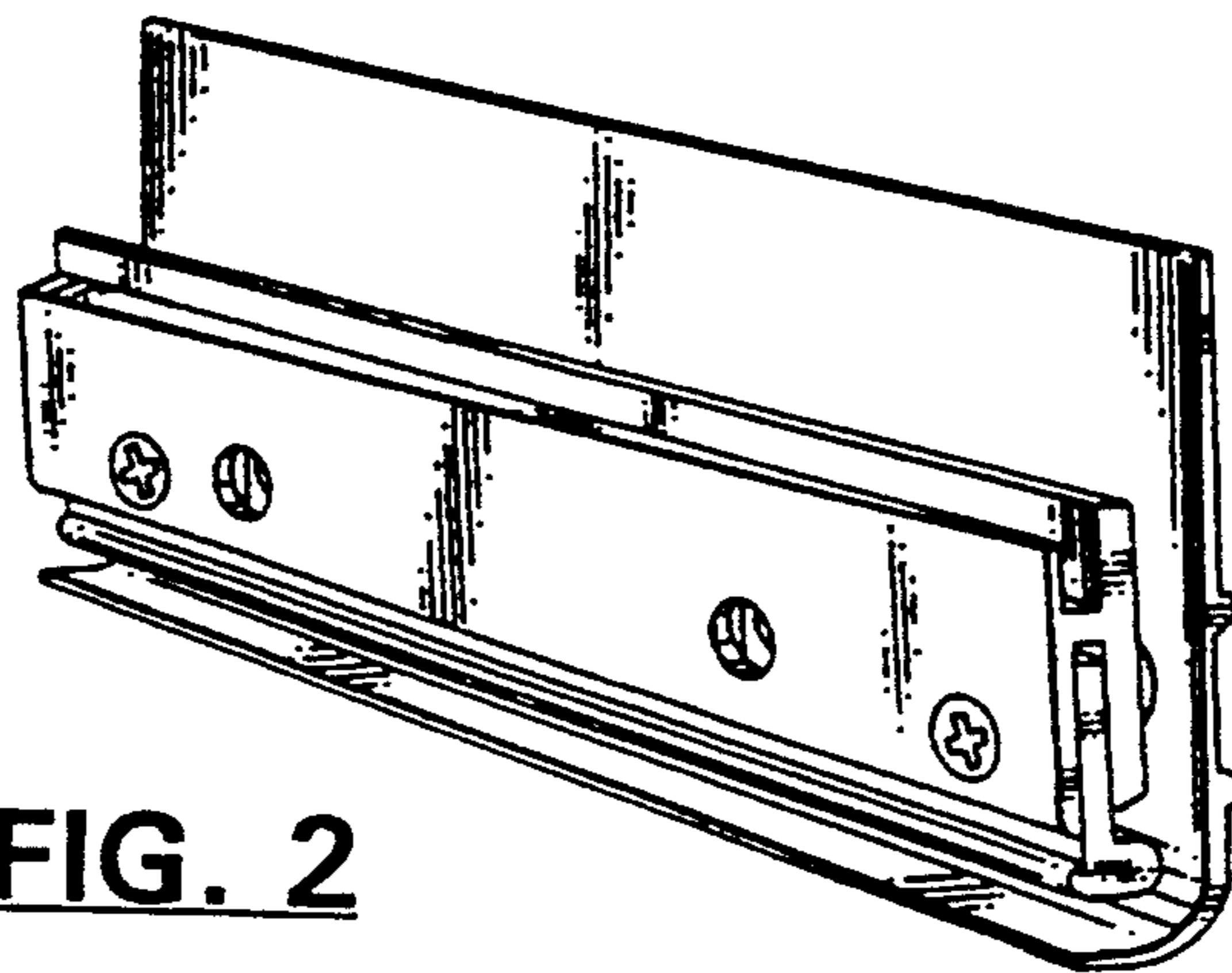
**FIG. 4**



**FIG. 3**



**FIG. 1**



**FIG. 2**



**FIG. 7**