



US00D353602S

United States Patent [19]
Woodman

[11] **Patent Number: Des. 353,602**
[45] **Date of Patent: ** Dec. 20, 1994**

[54] **LASER LIGHT FOR A MITER BOX**
[76] **Inventor: Brian E. Woodman, 9295 Talladay, Willis, Mich. 48191**
[**] **Term: 14 Years**
[21] **Appl. No.: 6,318**
[22] **Filed: Mar. 25, 1993**
[52] **U.S. Cl. D15/133; D10/61**
[58] **Field of Search D8/70; 83/520; 362/259; D13/101; D26/51, 65; D15/133; D10/61, 65**

5,038,481 8/1991 Smith 83/520 X

Primary Examiner—Wallace R. Burke
Assistant Examiner—Joel Sincavage
Attorney, Agent, or Firm—Terry M. Gernstein

[57] **CLAIM**

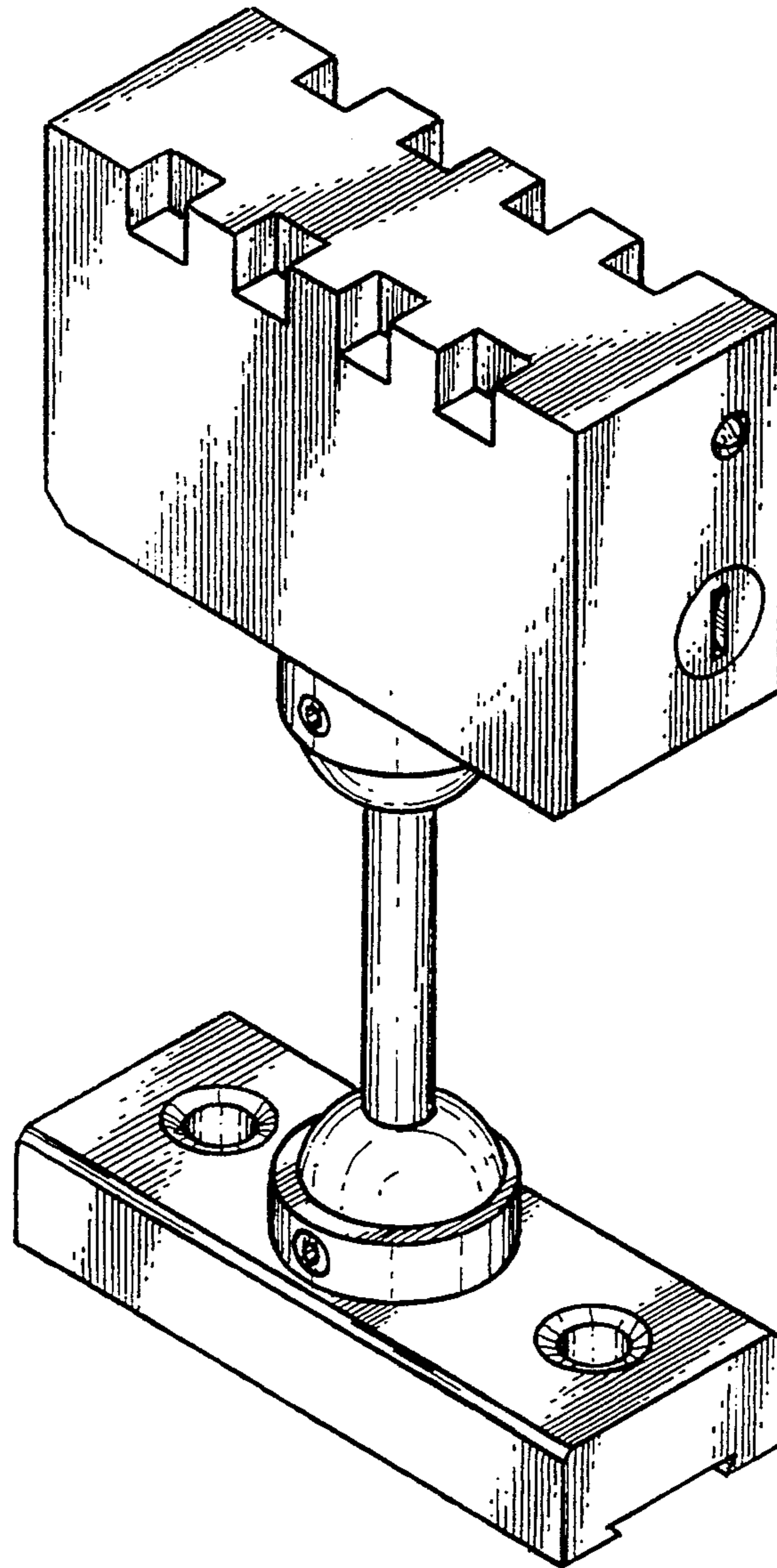
The ornamental design for a laser light for a miter box, as shown and described.

DESCRIPTION

FIG. 1 is a front, top and side perspective view of the laser light for a miter box showing my new design; FIG. 2 is a front elevational view thereof, the rear being a mirror image of the front shown in FIG. 2; FIG. 3 is an end elevational view thereof; FIG. 4 is an end elevational view thereof; FIG. 5 is a top plan view thereof; and, FIG. 6 is a bottom plan view thereof.

[56] **References Cited**
U.S. PATENT DOCUMENTS

3,117,480	1/1964	Peddinghaus	83/520
4,257,297	3/1981	Nidbella	81/520 X
4,776,251	10/1988	Carter	83/835
4,885,967	12/1989	Bell	83/520



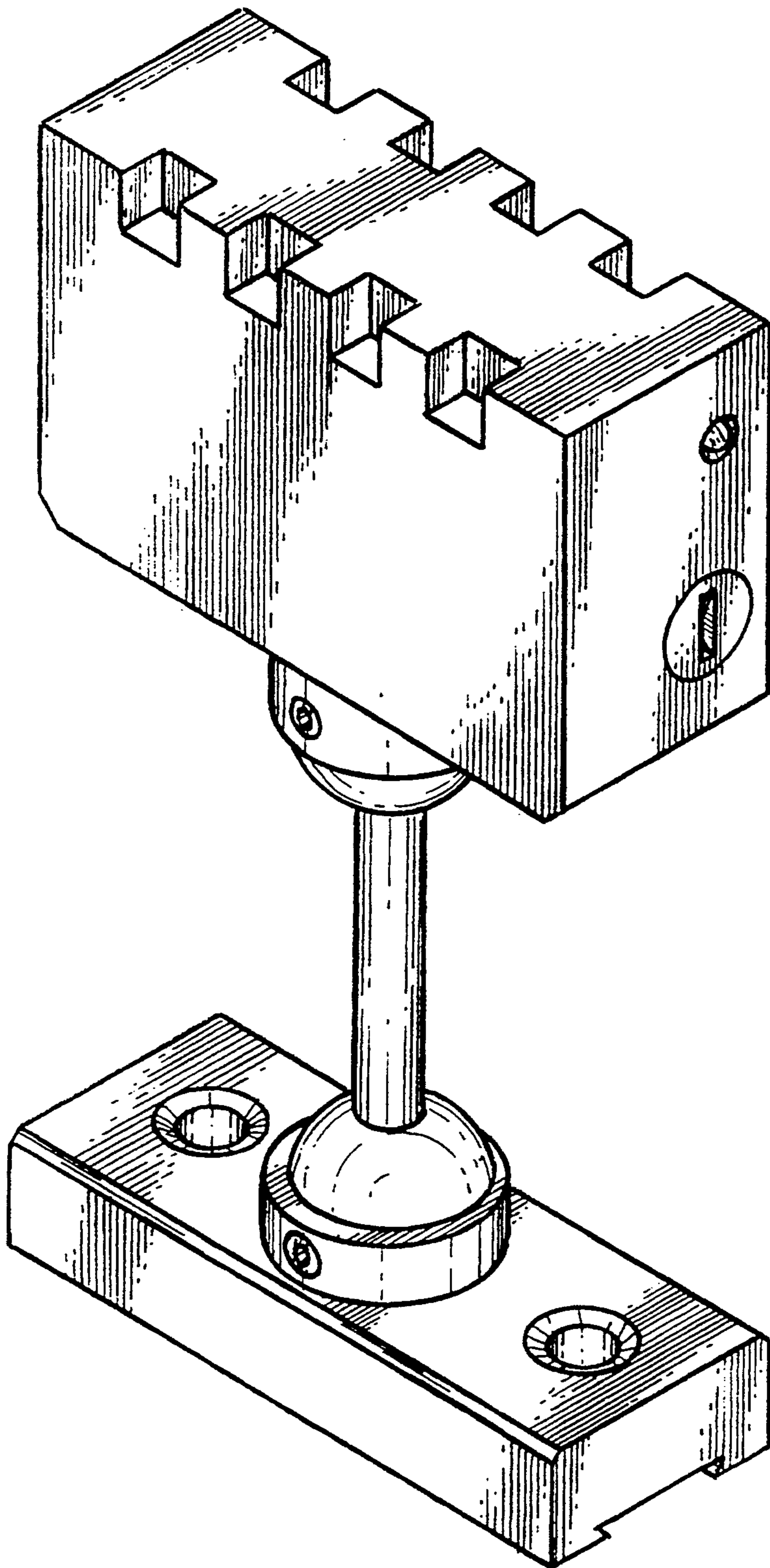


FIG. 1

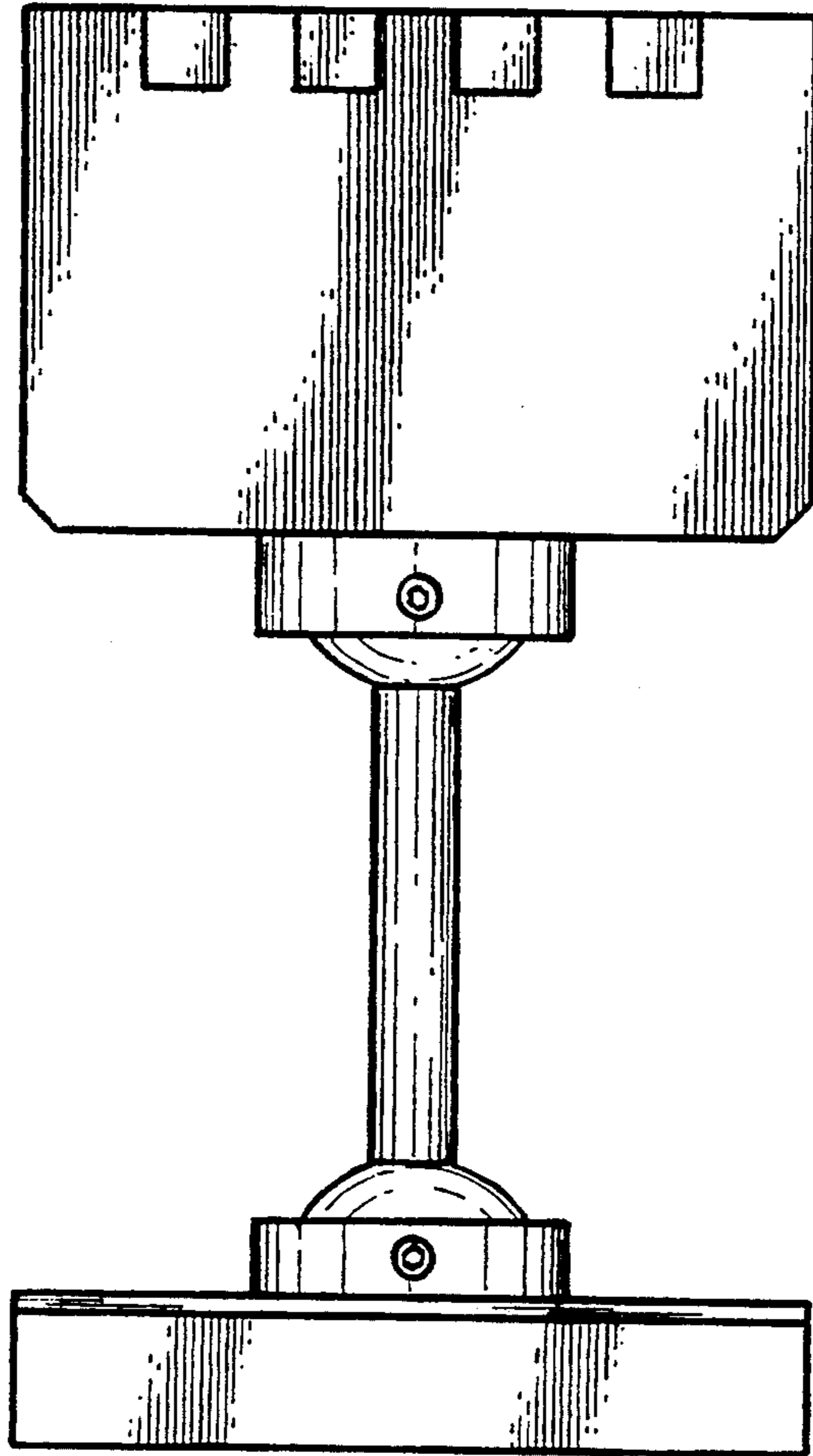


FIG. 2

FIG. 5

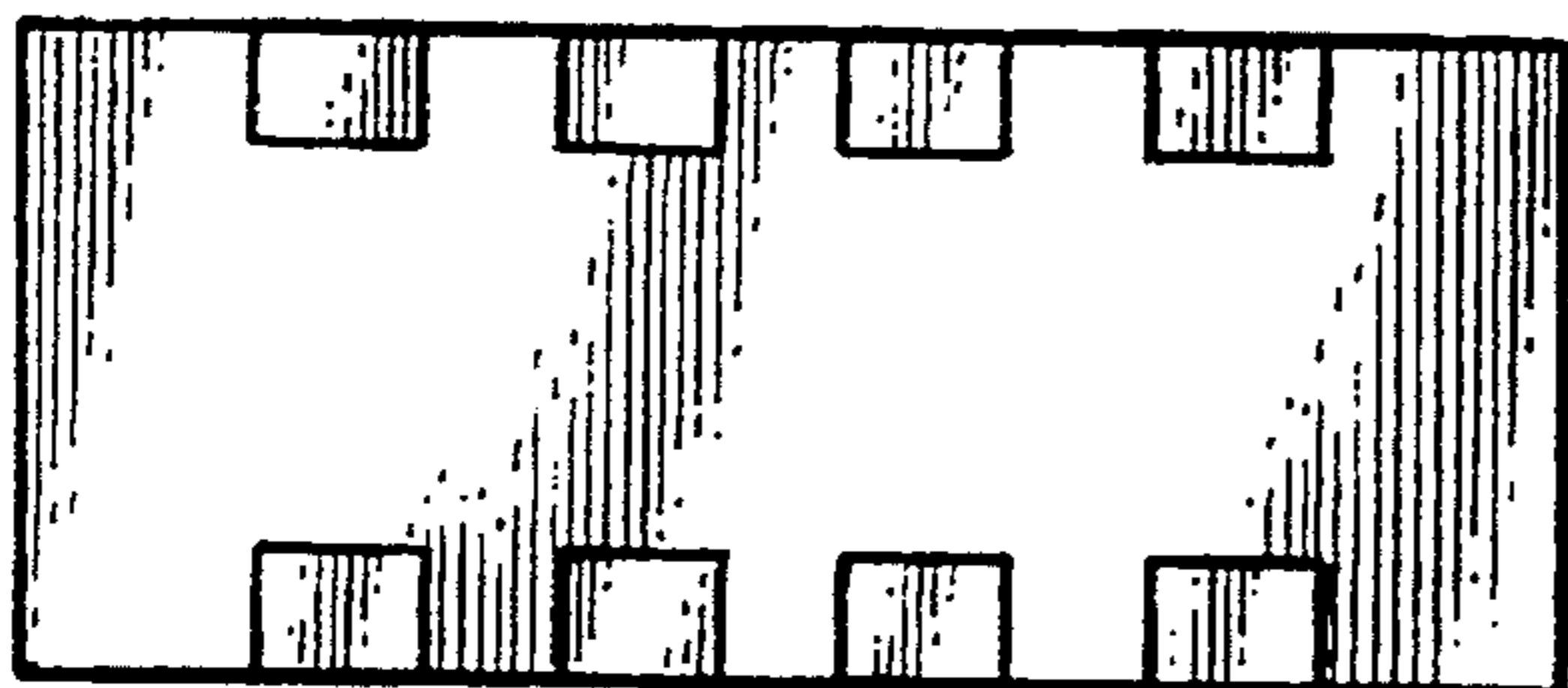


FIG. 6

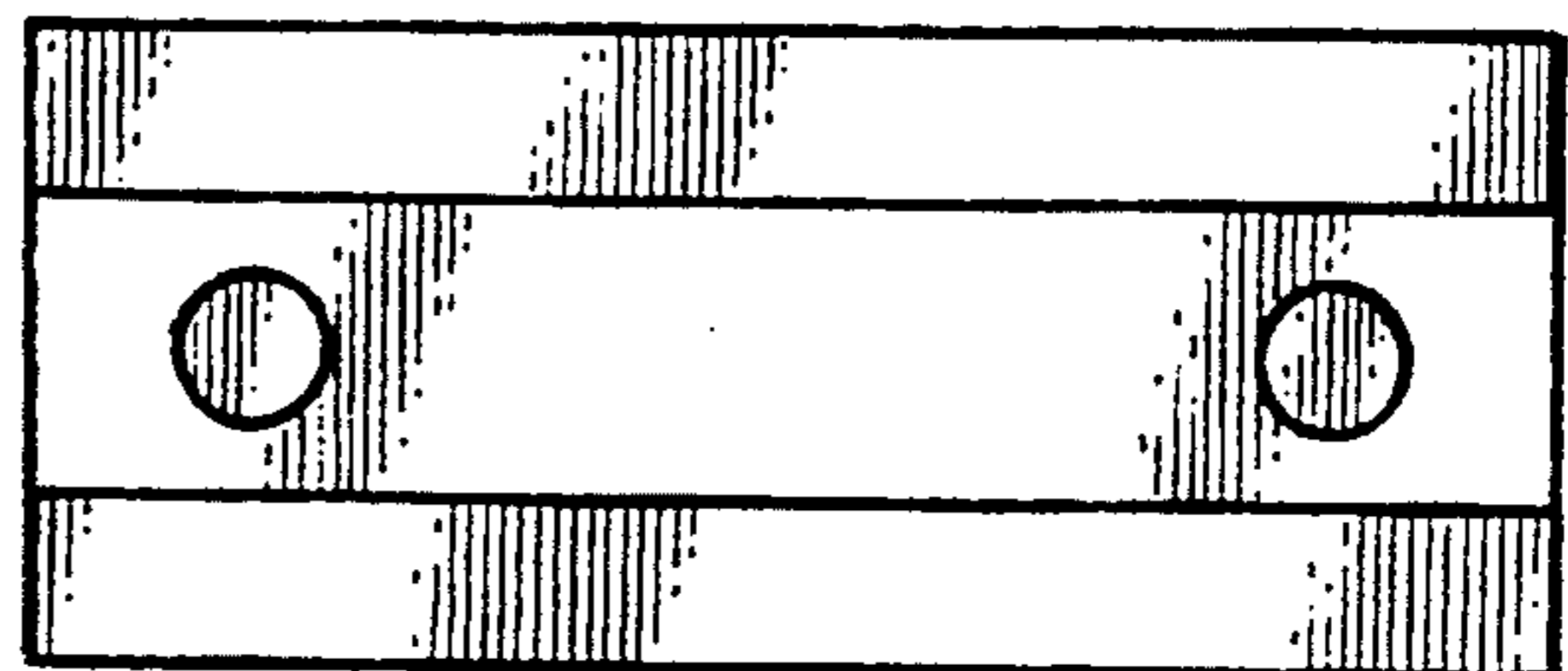


FIG. 3

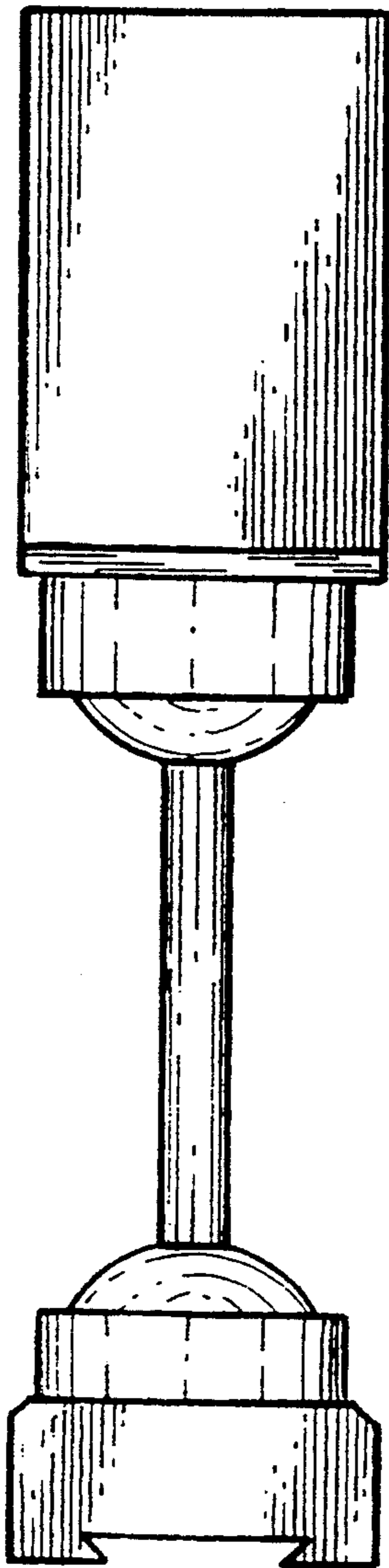


FIG. 4

