



US00D353600S

United States Patent [19]

[11] Patent Number: **Des. 353,600**

Glass

[45] Date of Patent: **** Dec. 20, 1994**

[54] **FLUID COMPRESSED HYDRAULIC ROTOR**

[76] Inventor: **Thomas V. Glass**, 200 Glynn Dr.,
Birmingham, Ala. 35215

[**] Term: **14 Years**

[21] Appl. No.: **12,570**

[22] Filed: **Sep. 7, 1993**

[52] U.S. Cl. **D15/7**

[58] Field of Search 74/606 R; 188/151 R,
188/152, 347, 353; 252/71; D15/5-9.2

D. 229,358 11/1973 Burkholder D15/5
D. 258,508 3/1981 Serrambana D15/7
D. 293,913 1/1988 Wilgus et al. D15/7
5,018,407 5/1991 Hoecht 74/606 R

Primary Examiner—Ralf T. Seifert
Attorney, Agent, or Firm—Kevin A. Sembrat

[57] **CLAIM**

The ornamental design for a fluid compressed hydraulic rotor, as shown and described.

DESCRIPTION

FIG. 1 is a front perspective view of the fluid compressed hydraulic rotor showing my new design; FIG. 2 is a rear perspective view thereof; and, FIG. 3 is a side elevational view thereof.

[56] **References Cited**

U.S. PATENT DOCUMENTS

D. 205,691 9/1966 Ruliffson D15/7

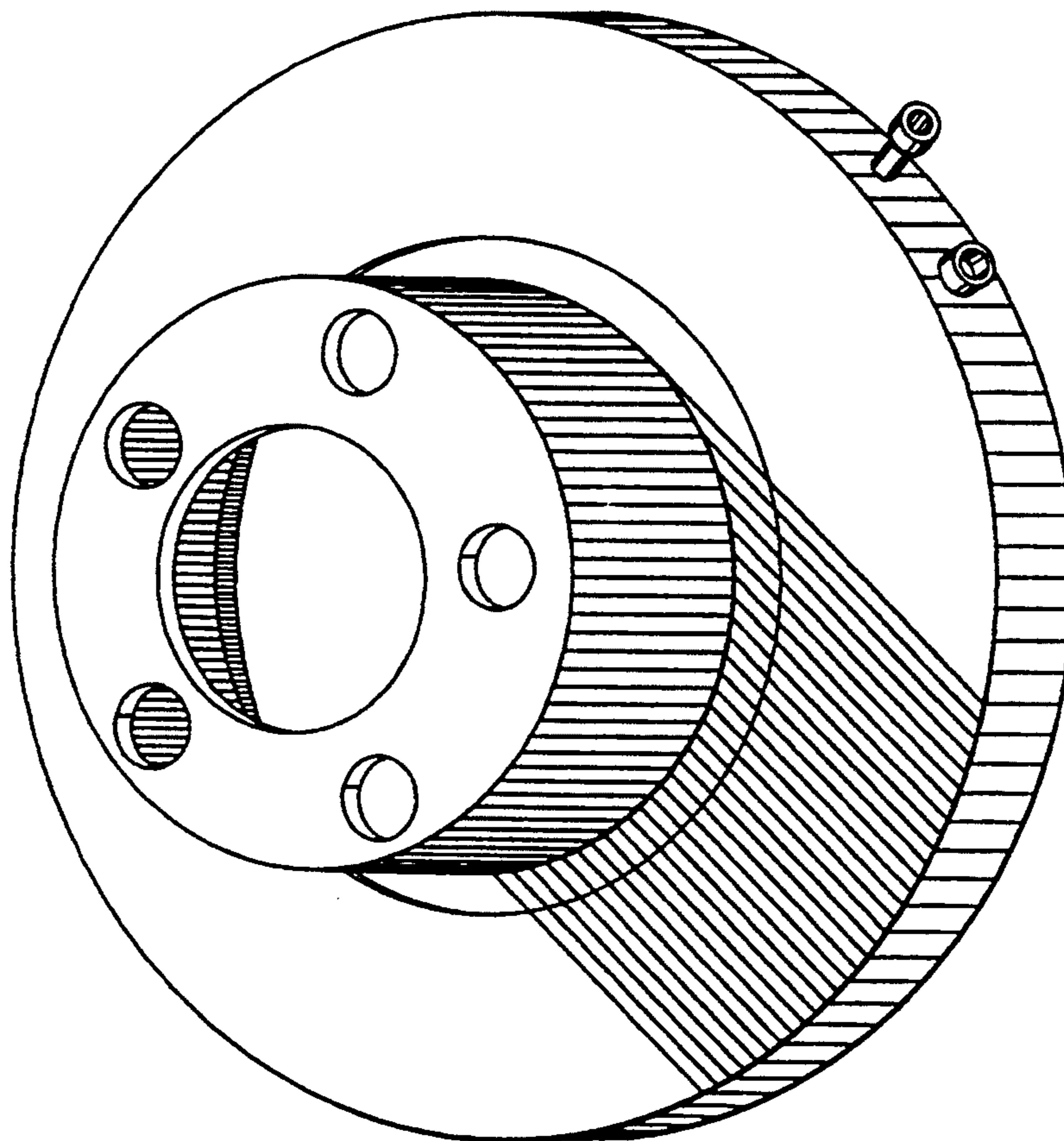


Fig.1

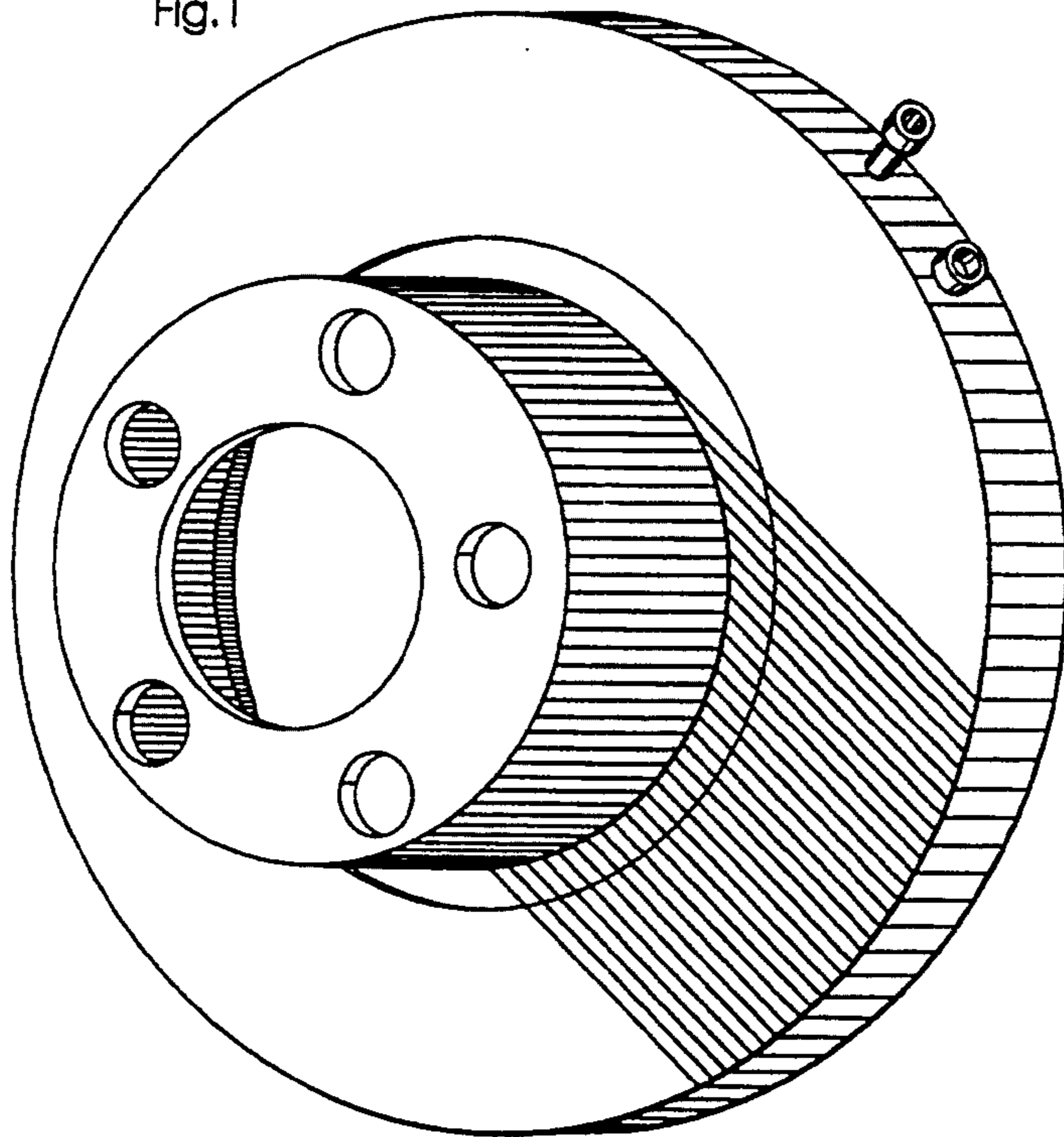


Fig.2

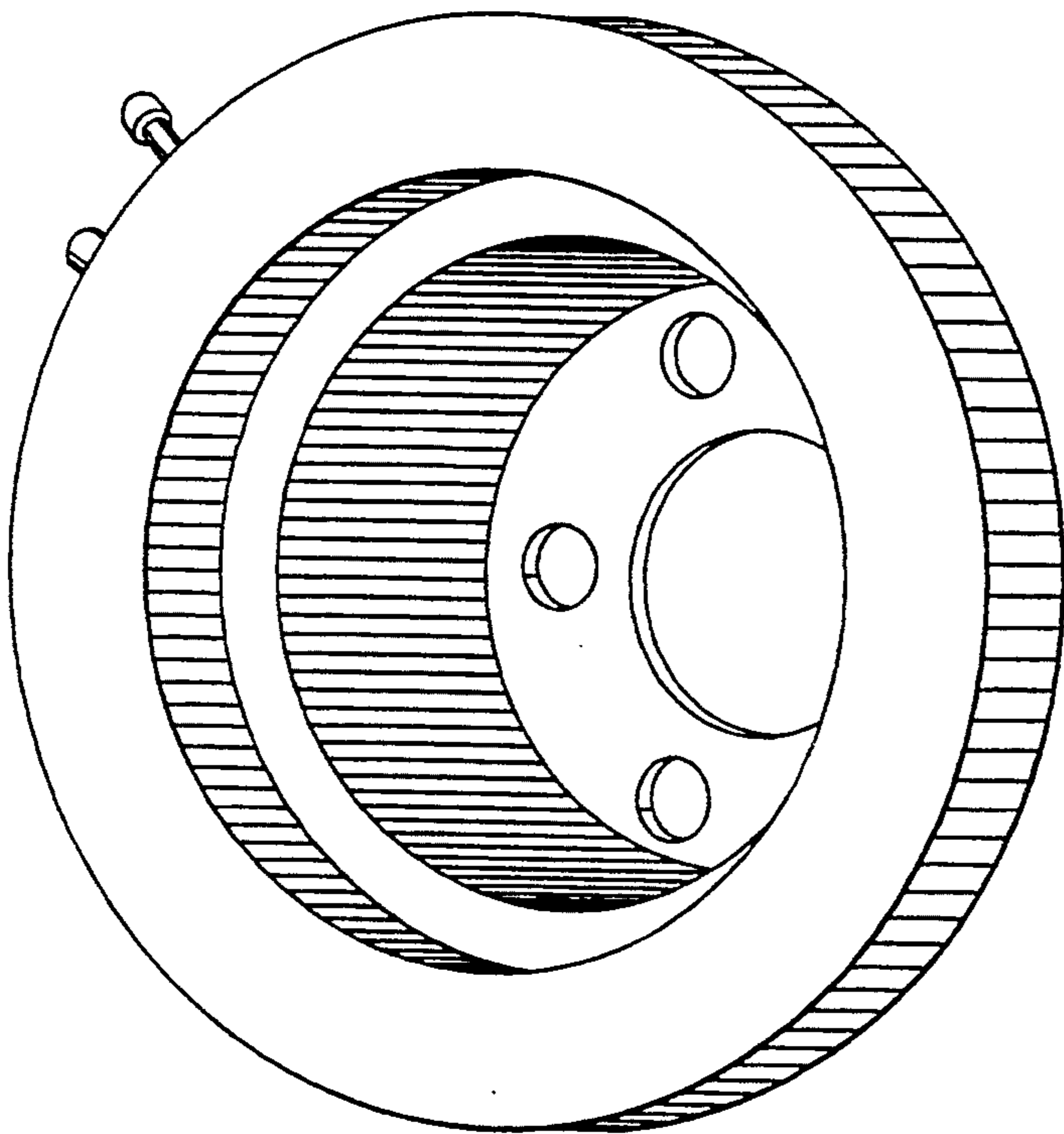


Fig.3

