



US00D353599S

# United States Patent [19]

[11] Patent Number: **Des. 353,599**

**Arends**

[45] Date of Patent: **\*\* Dec. 20, 1994**

[54] **EXHAUST HEADER FOR A MARINE ENGINE**

[76] Inventor: **Michael E. Arends**, 12202 Mount Pleasant Dr., Laurel, Md. 20708

[\*\*] Term: **14 Years**

[21] Appl. No.: **8,219**

[22] Filed: **May 12, 1993**

[52] U.S. Cl. .... **D15/5**

[58] Field of Search ..... 123/52 M, 52 MC; D15/1-5

[56] **References Cited**

**U.S. PATENT DOCUMENTS**

D. 222,598	11/1971	Weiland	.....	D15/5
D. 234,011	12/1974	Warneford	.....	D15/5
D. 266,168	9/1982	Lindbrandt	.....	D15/5
1,512,961	10/1924	Weil	.....	123/52 M

*Primary Examiner*—Ralf T. Seifert  
*Attorney, Agent, or Firm*—Jones, Tullar & Cooper

[57] **CLAIM**

The ornamental design for an exhaust header for a marine engine, as shown and described.

**DESCRIPTION**

FIG. 1 is a perspective view of an exhaust header for a marine engine, with the right side header being shown, and the left side header being generally a mirror image; FIG. 2 is a reverse perspective view of the exhaust header of FIG. 1;

FIG. 3 is a side elevational view of the exhaust header of FIG. 1;

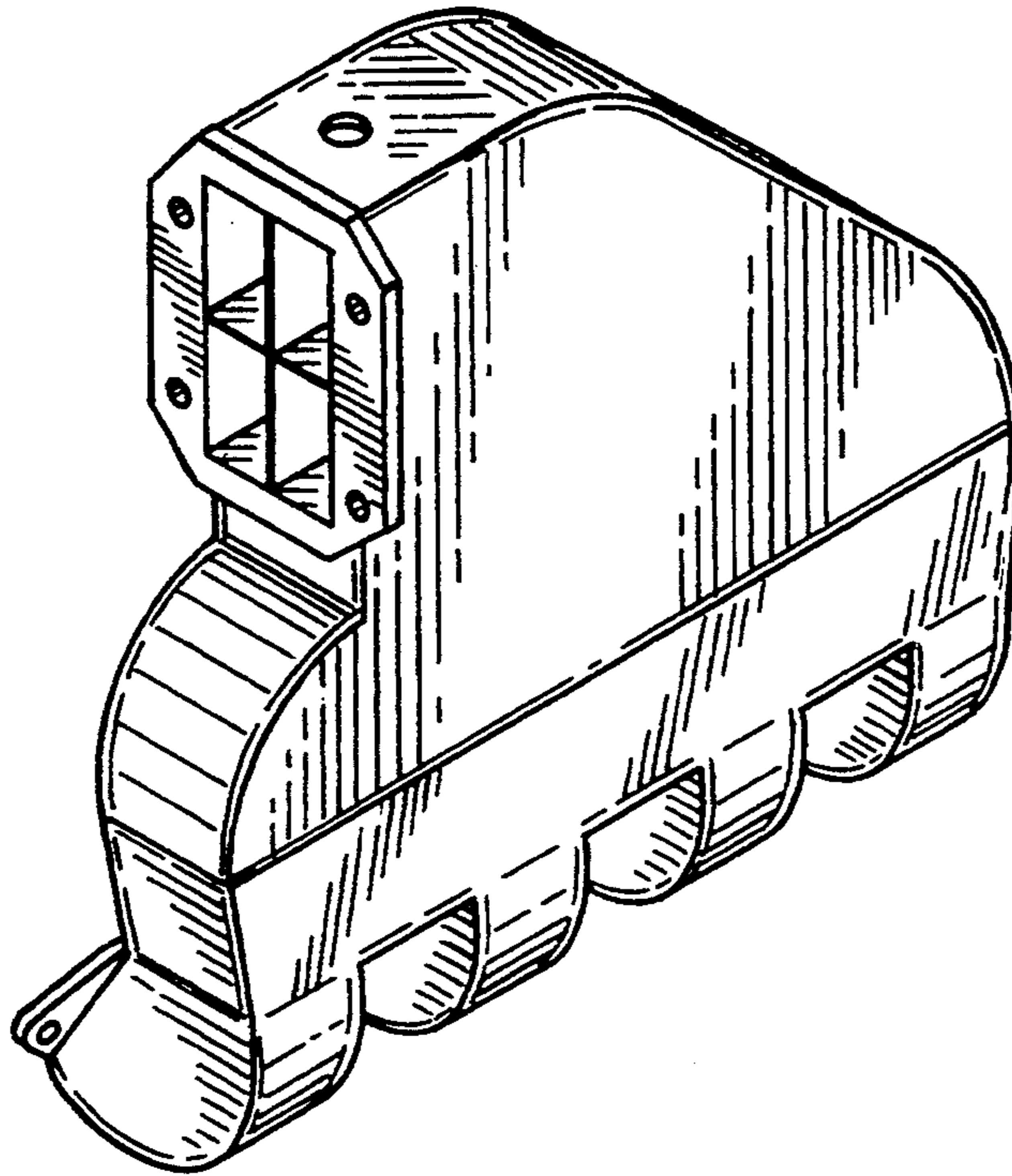
FIG. 4 is a reverse elevational view of FIG. 3;

FIG. 5 is a rear side view of FIG. 3;

FIG. 6 is a forward side view of FIG. 3;

FIG. 7 is a bottom view of FIG. 3; and,

FIG. 8 is a top view of FIG. 3.



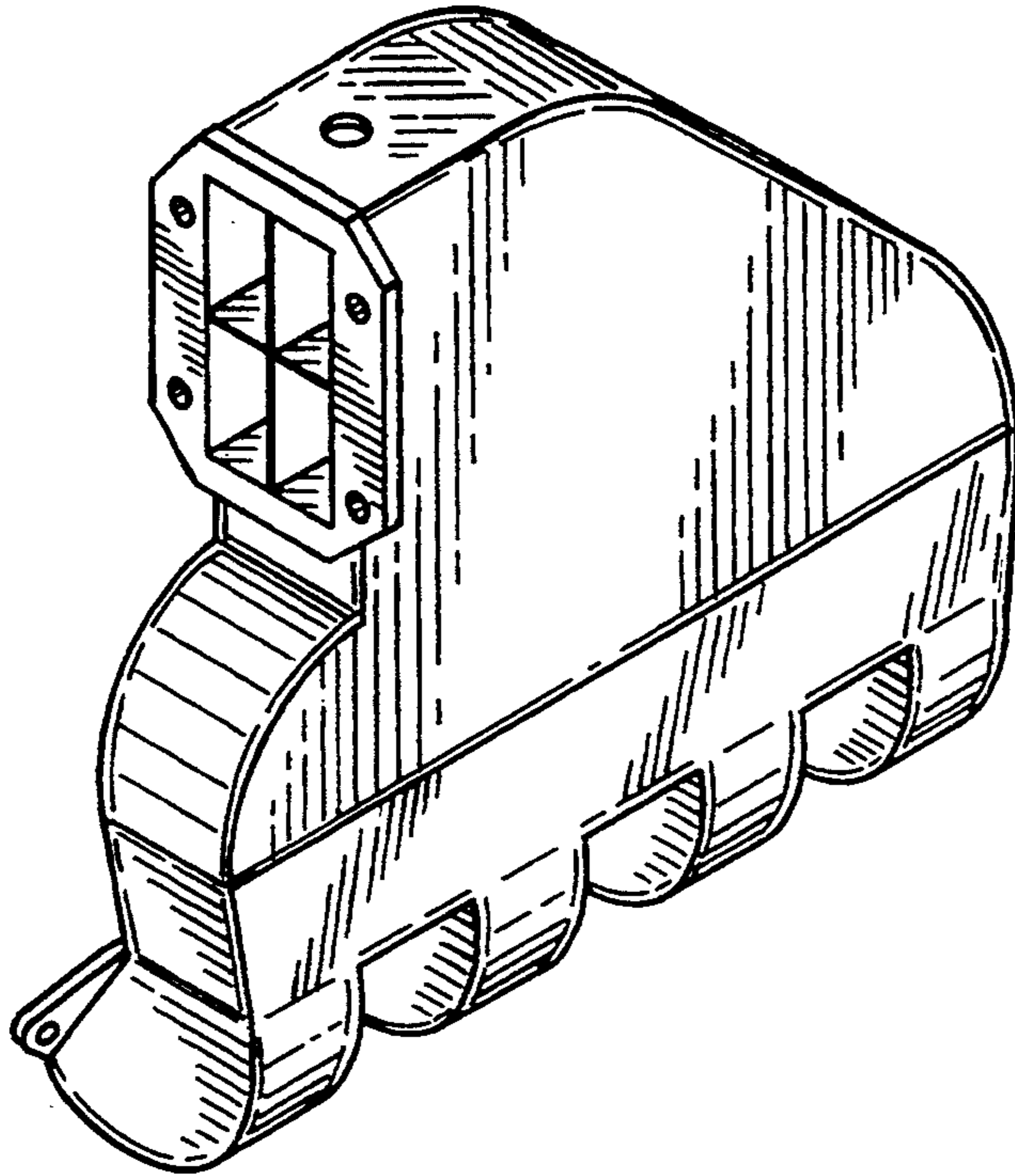


FIG. 1

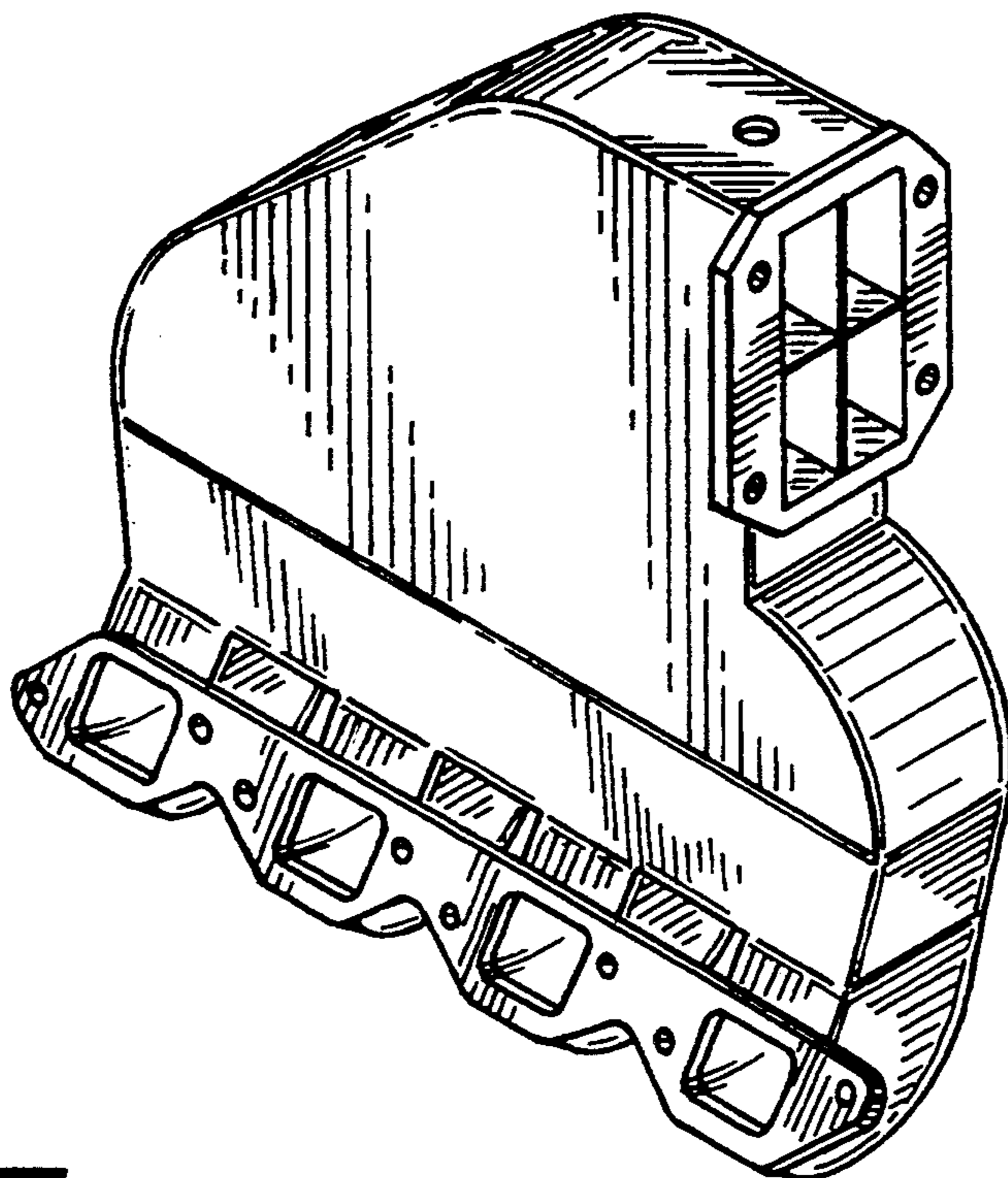


FIG. 2

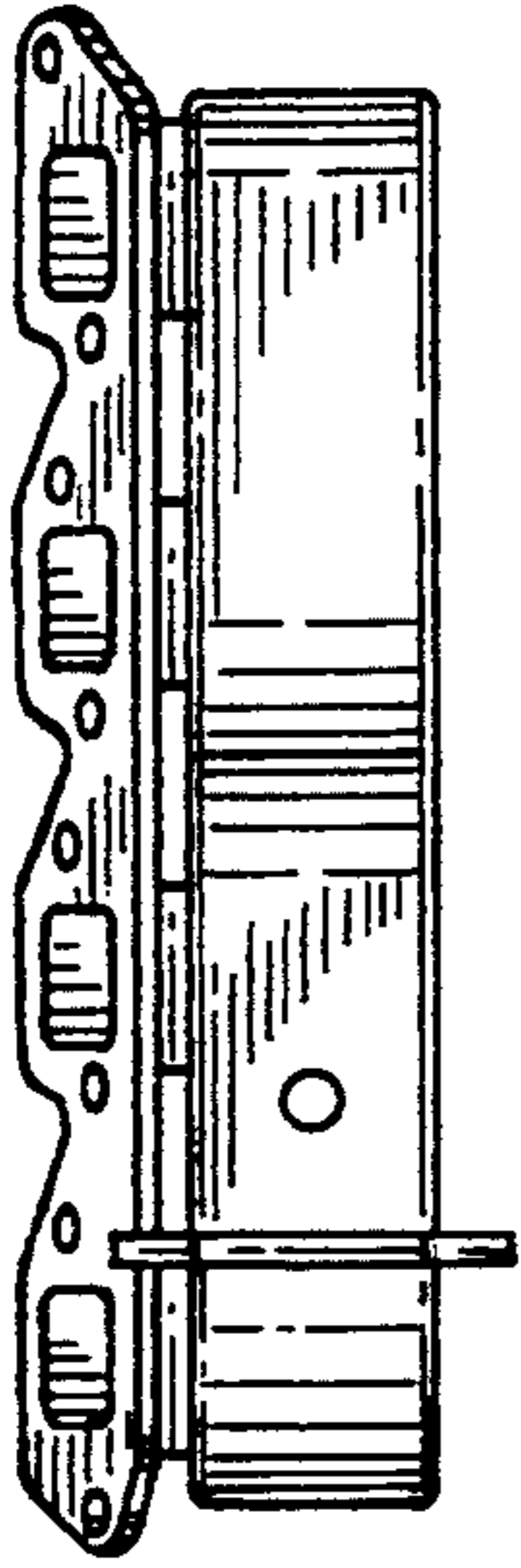


FIG. 1

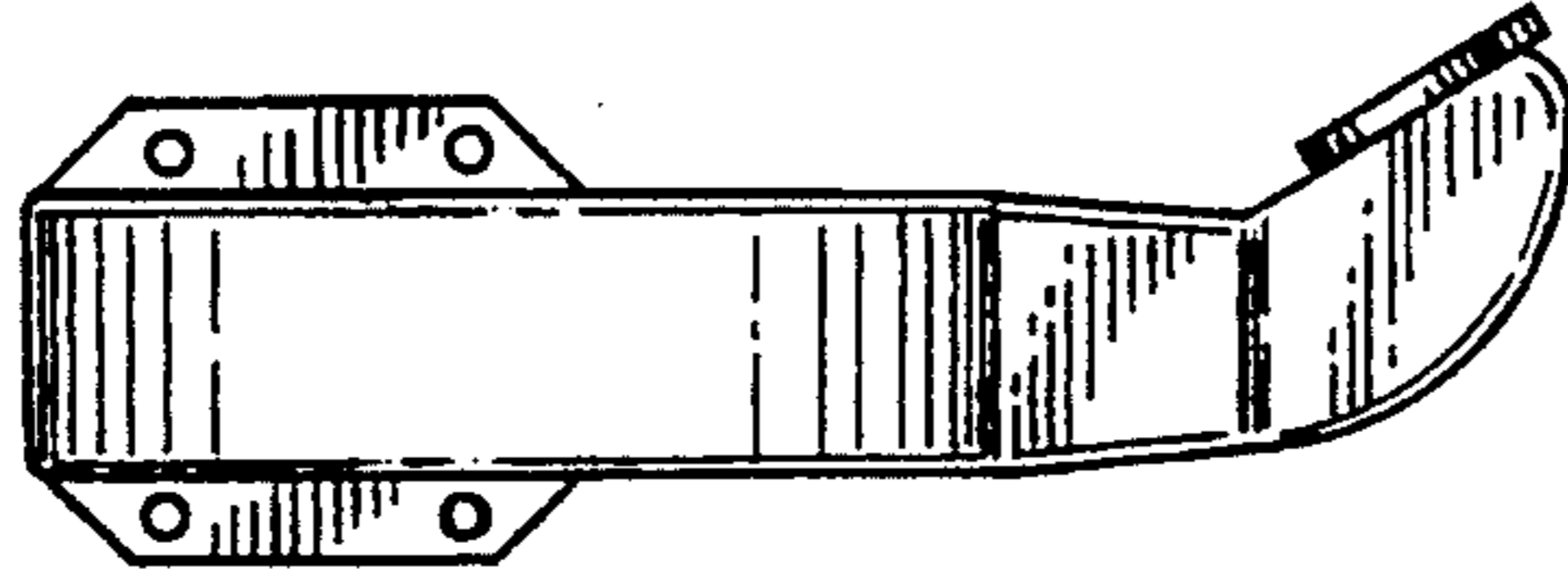


FIG. 2

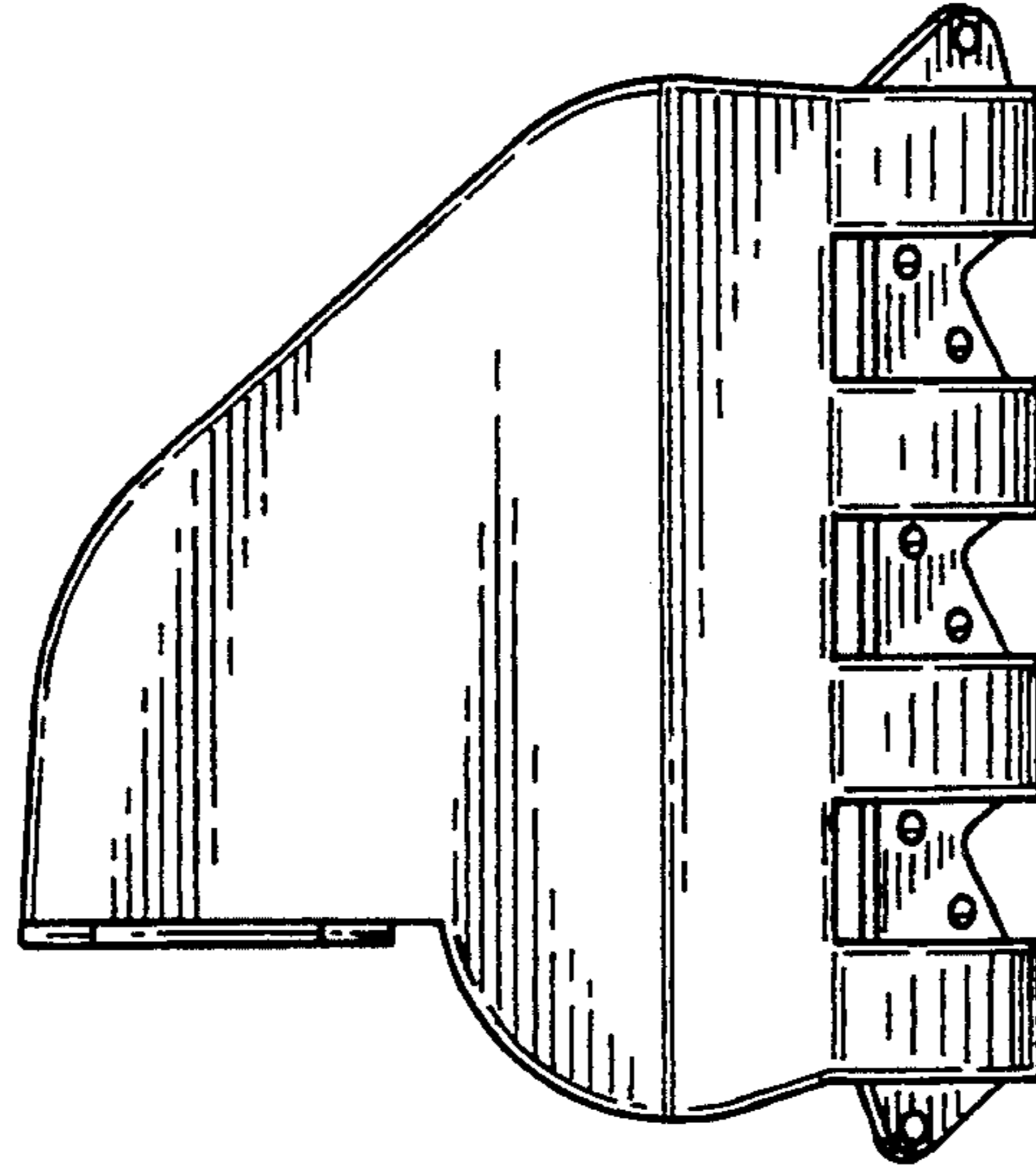


FIG. 3

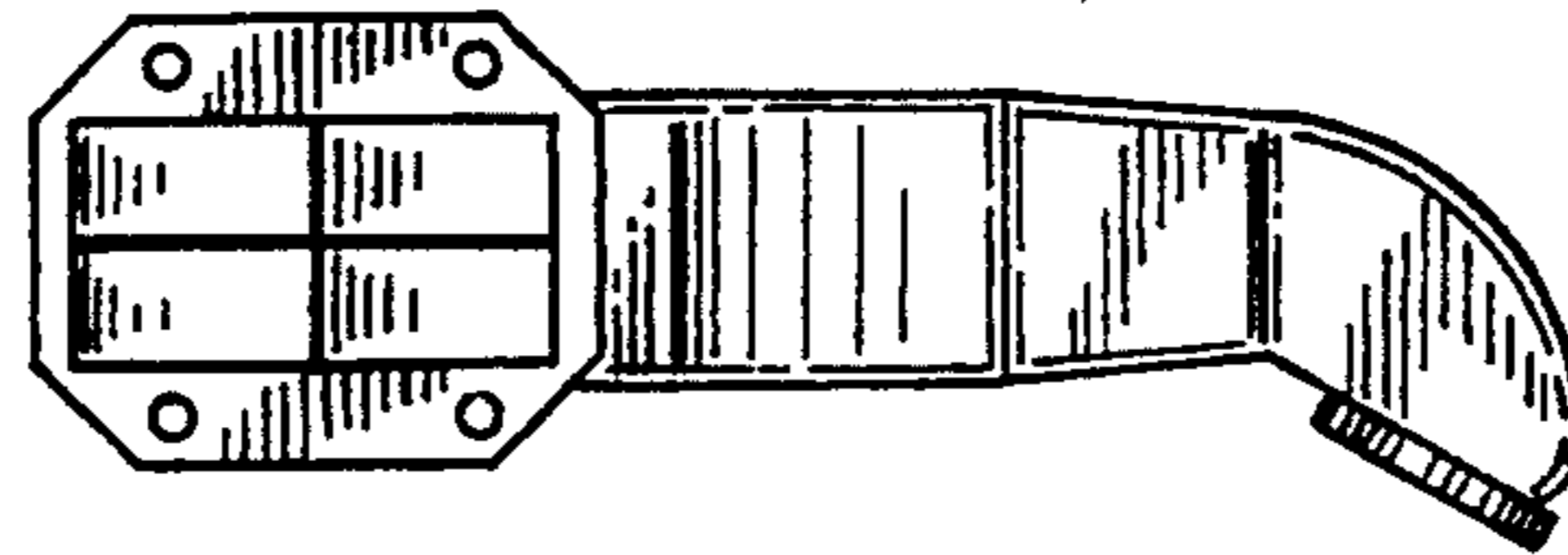


FIG. 4

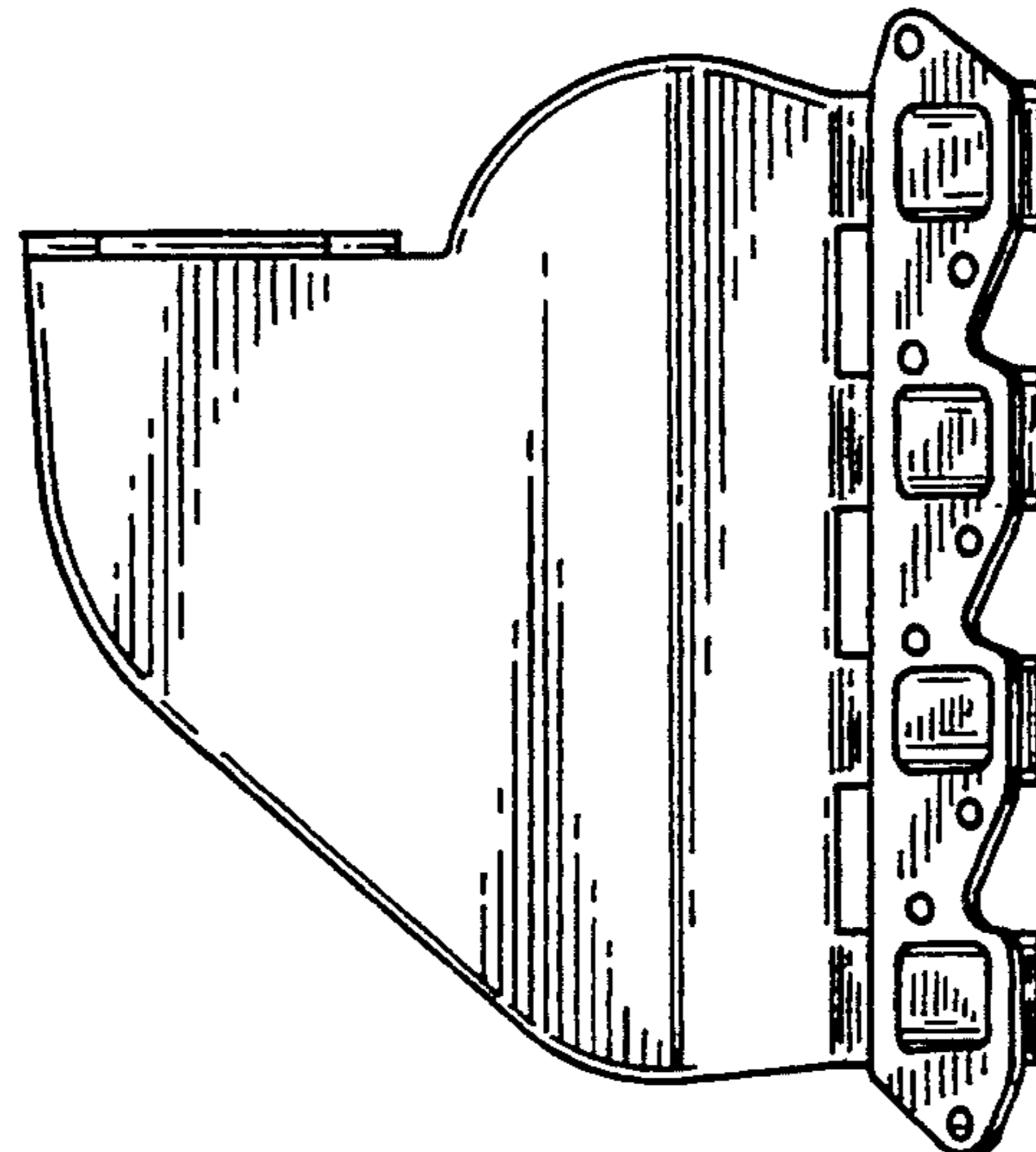


FIG. 5

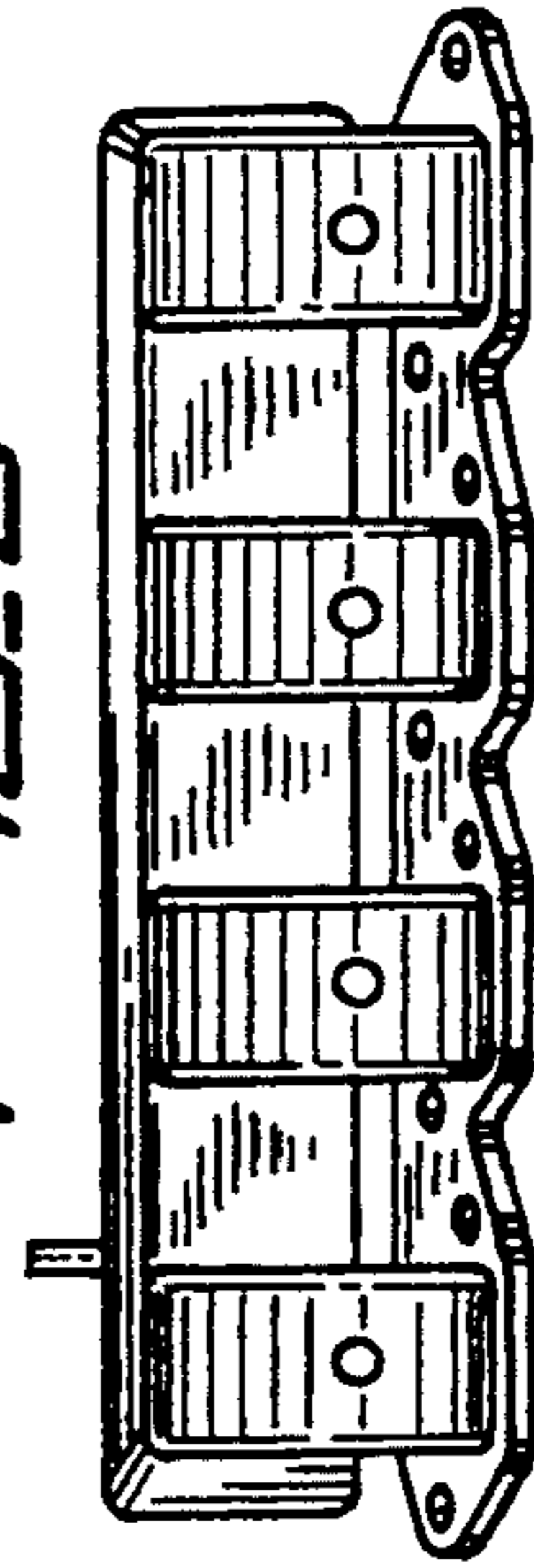


FIG. 6