



US00D353598S

United States Patent [19]

[11] Patent Number: **Des. 353,598**

Brandt et al.

[45] Date of Patent: **** Dec. 20, 1994**

- [54] **DESK TOP MODEM CHASSIS**
- [75] Inventors: **Dean Brandt, Minneapolis; Thomas E. Heimerman, Shoreview; Greg Johnson, Fridley, all of Minn.**
- [73] Assignee: **Multi-Tech Systems, Inc., Mounds View, Minn.**
- [**] Term: **14 Years**
- [21] Appl. No.: **817,104**
- [22] Filed: **Dec. 24, 1991**
- [52] U.S. Cl. **D14/242; D14/107**
- [58] Field of Search **174/67, 50, 52.1; 361/641, 658, 673, 679, 724, 728, 730, 835; D14/240, 242, 140, 142, 151, 107, 109, 113; D13/162, 164, 184, 199**

- D. 297,633 9/1988 Peroni D13/184
- D. 303,252 9/1989 Shih D14/107
- D. 309,731 8/1990 Takai D14/107
- D. 311,520 10/1990 Serio, Jr. D13/184
- D. 316,552 4/1991 Miozzo D14/151 X
- 4,297,530 10/1981 Kessler 174/52.1 X

Primary Examiner—Nelson C. Holtje
Assistant Examiner—Jeffrey Asch
Attorney, Agent, or Firm—Schwegman, Lundberg & Woessner

[57] CLAIM

The ornamental design for a desk top modem chassis, as shown and described.

DESCRIPTION

FIG. 1 is a front and top-left perspective view of a desk top modem chassis showing our new design;
 FIG. 2 is a front elevational view thereof;
 FIG. 3 is a rear elevational view thereof;
 FIG. 4 is a top plan view thereof;
 FIG. 5 is a bottom plan view thereof;
 FIG. 6 is a left side elevational view thereof; and,
 FIG. 7 is a right side elevational view thereof.

- [56] **References Cited**
- U.S. PATENT DOCUMENTS**
- D. 263,472 3/1982 Nishi et al. D14/109
- D. 269,345 6/1983 Payne, Jr. et al. D14/107
- D. 291,443 8/1987 Pedinielli et al. D14/107
- D. 295,178 4/1988 Pedinelli et al. D14/107

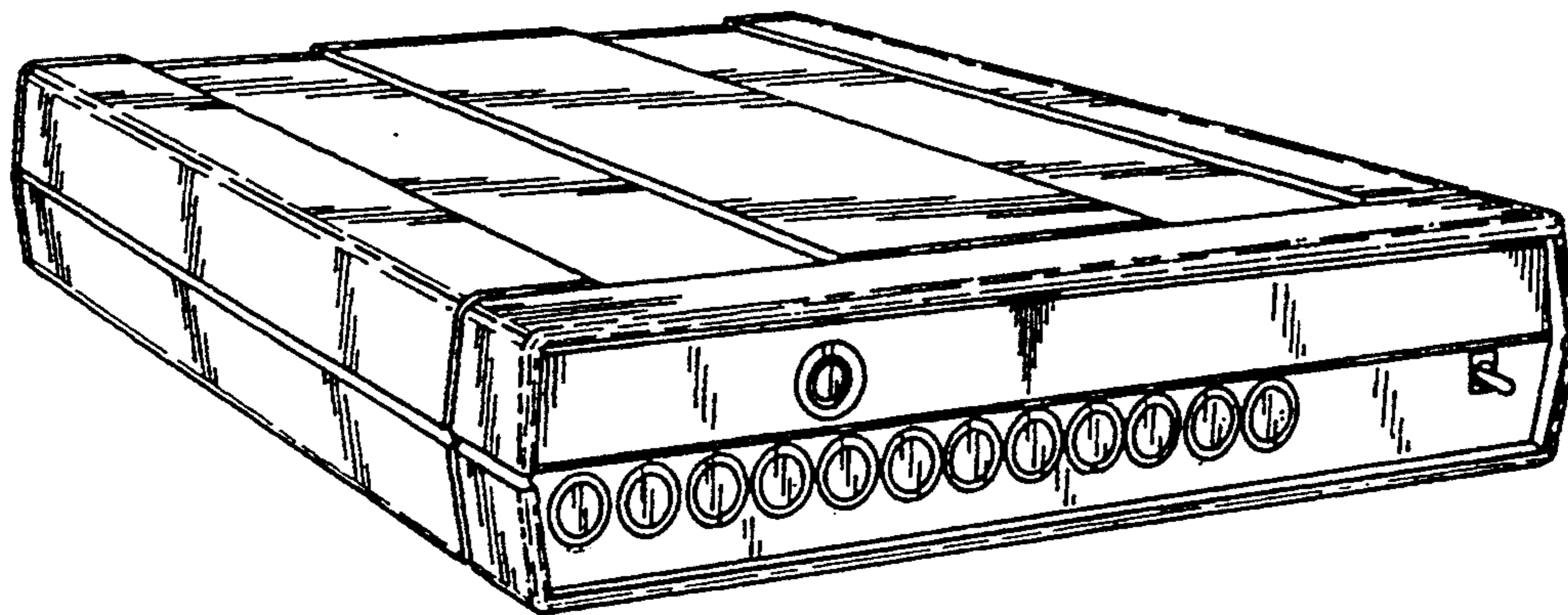


FIG. 1

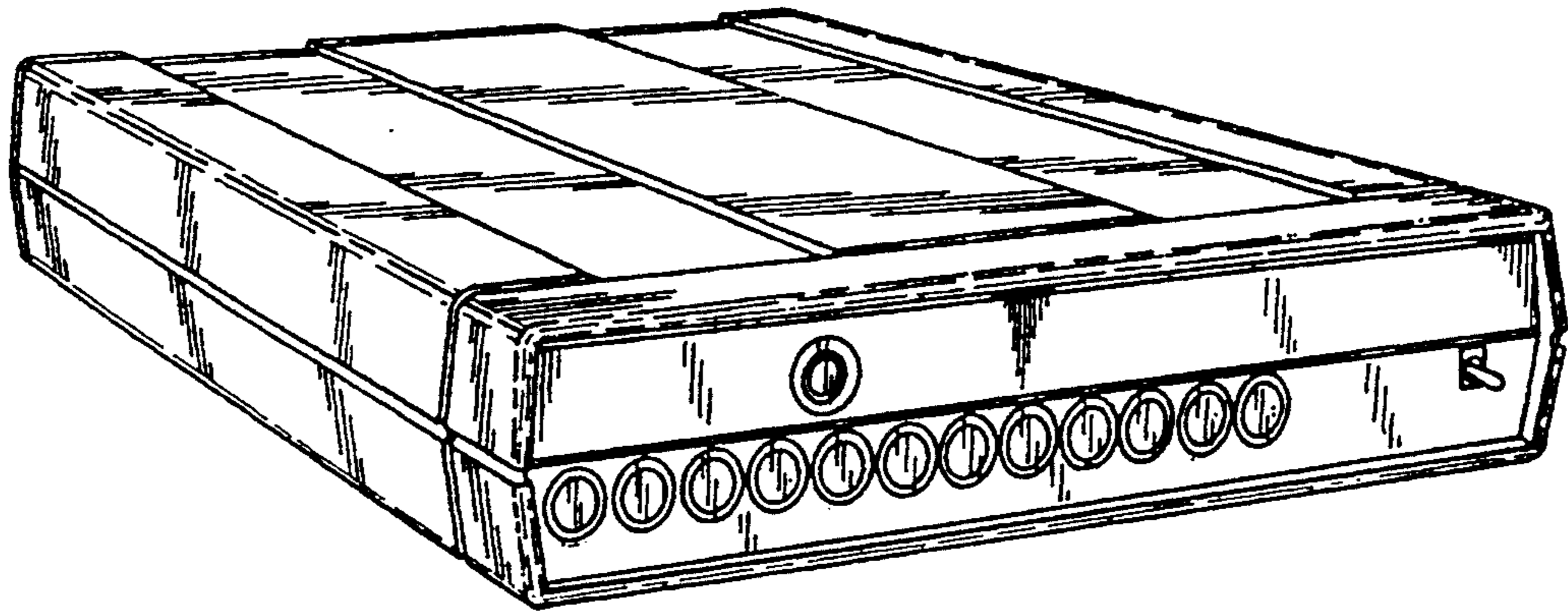


FIG. 2

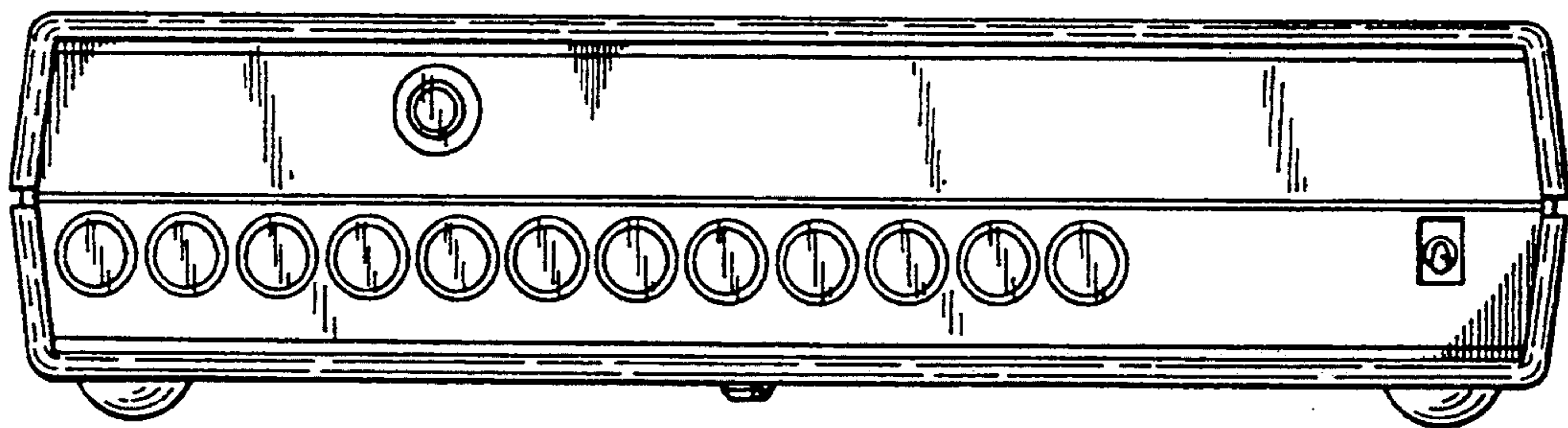


FIG. 3

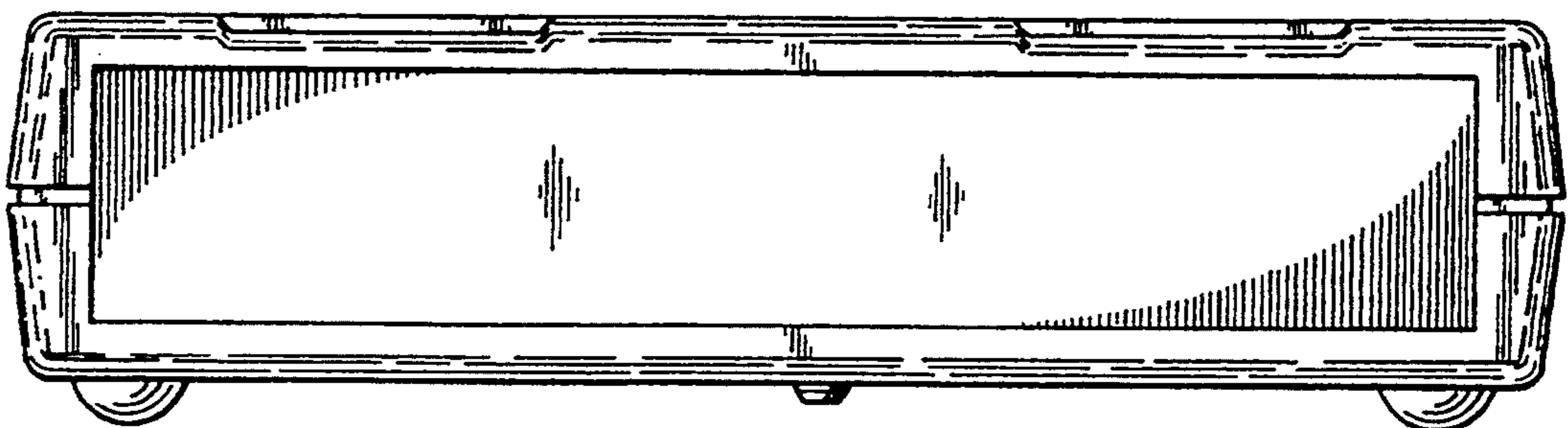


FIG. 4

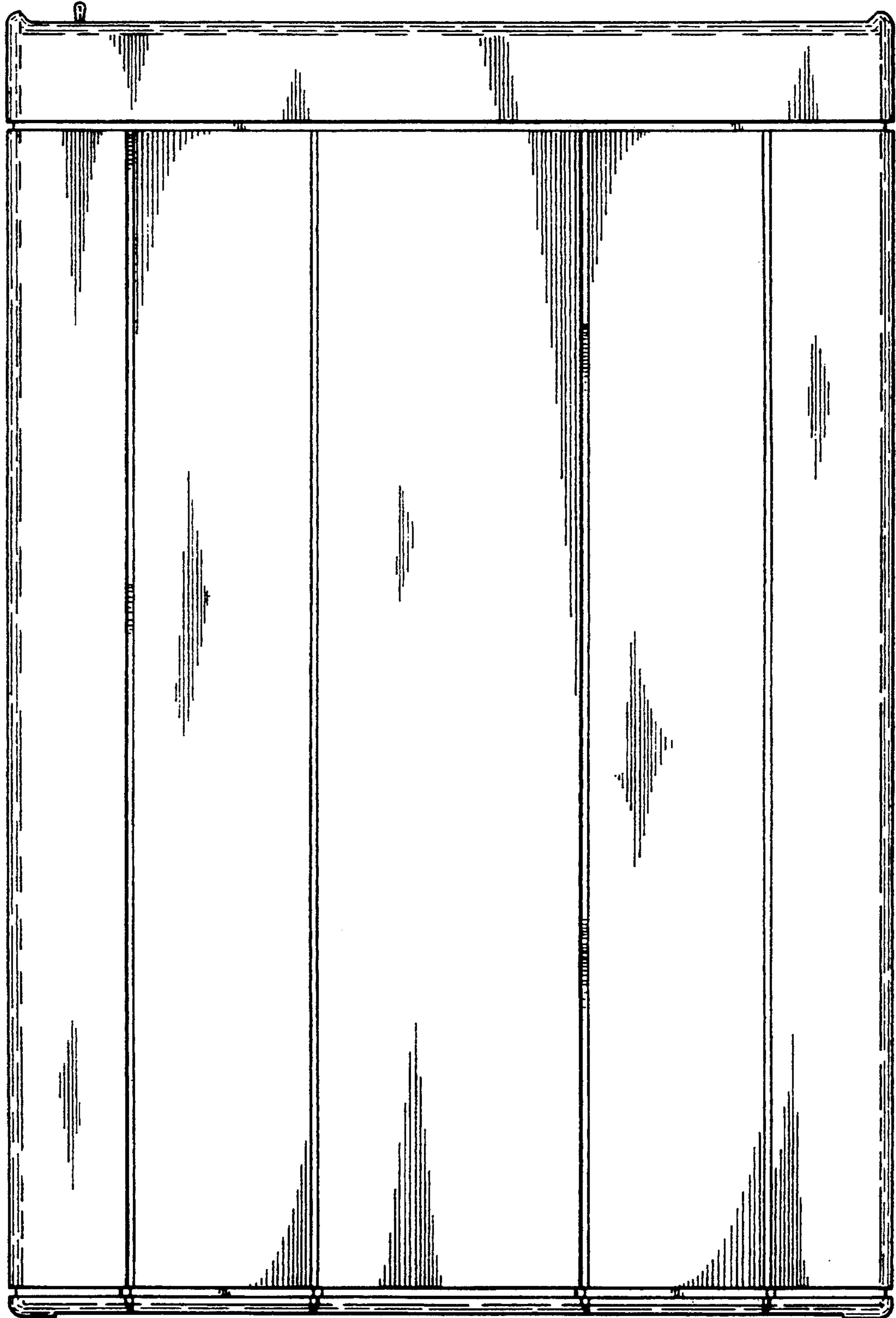


FIG. 5



FIG. 6



FIG. 7

