



US00D353584S

United States Patent [19]

Sato et al.

[11] Patent Number: **Des. 353,584**

[45] Date of Patent: **** Dec. 20, 1994**

[54] **PORTABLE PERSONAL COMPUTER**

[75] Inventors: **Yasuharu Sato**, Tokyo; **Takaya Suzuki**, Yamagata; **Katsuhiko Kushi**; **Kenichi Yamauchi**, both of Tokyo, all of Japan

[73] Assignees: **NEC Corporation**, Tokyo; **NEC Yonezawa, Ltd.**, Yamagata, both of Japan

[**] Term: **14 Years**

[21] Appl. No.: **7,548**

[22] Filed: **Apr. 26, 1993**

[30] **Foreign Application Priority Data**

Oct. 27, 1992 [JP] Japan 4-31414
[52] U.S. Cl. **D14/106**
[58] Field of Search 235/145 A, 145 R;
345/104, 156, 168, 173, 901, 905; 341/22, 23;
361/679-686; 364/708.1, 709.04, 709.12;
400/486, 489; D14/100, 101, 106, 113, 115,
124-127; D18/1, 7, 11, 12

[56] **References Cited**

U.S. PATENT DOCUMENTS

D. 341,579 11/1993 Sugihara et al. D14/106
D. 345,149 3/1994 Toedter et al. D14/106
D. 345,550 3/1994 Iino D14/106

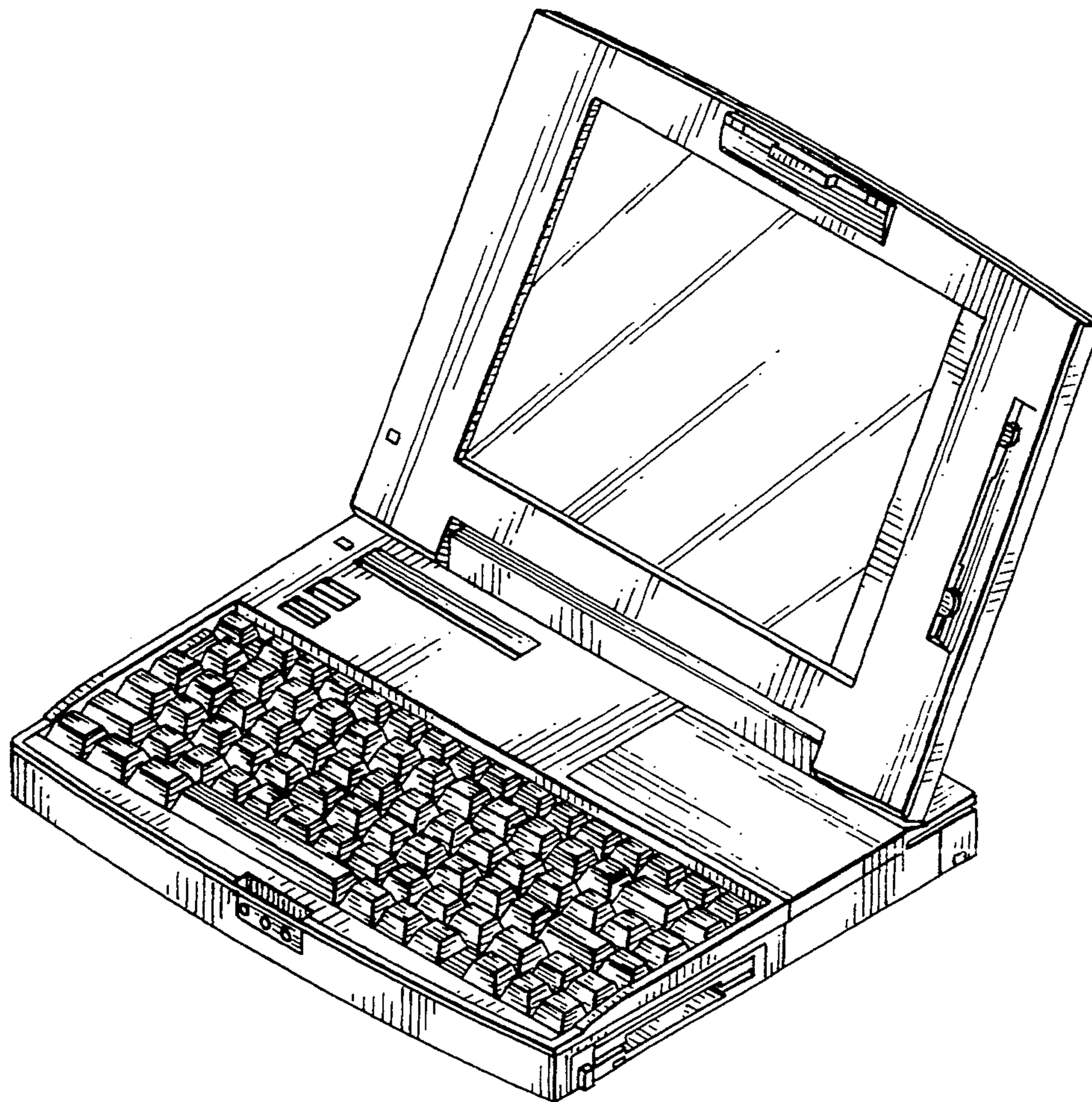
Primary Examiner—Freda S. Nunn
Attorney, Agent, or Firm—Sughrue, Mion, Zinn,
Macpeak & Seas

[57] **CLAIM**

The ornamental design for a portable personal computer, as shown.

DESCRIPTION

FIG. 1 is a front elevational view of a portable personal computer showing our new design;
FIG. 2 is a rear elevational view thereof;
FIG. 3 is a top plan view thereof;
FIG. 4 is a bottom plan view thereof;
FIG. 5 is a right side elevational view thereof;
FIG. 6 is a left side elevational view thereof; and,
FIG. 7 is a front, top and right side perspective view thereof.



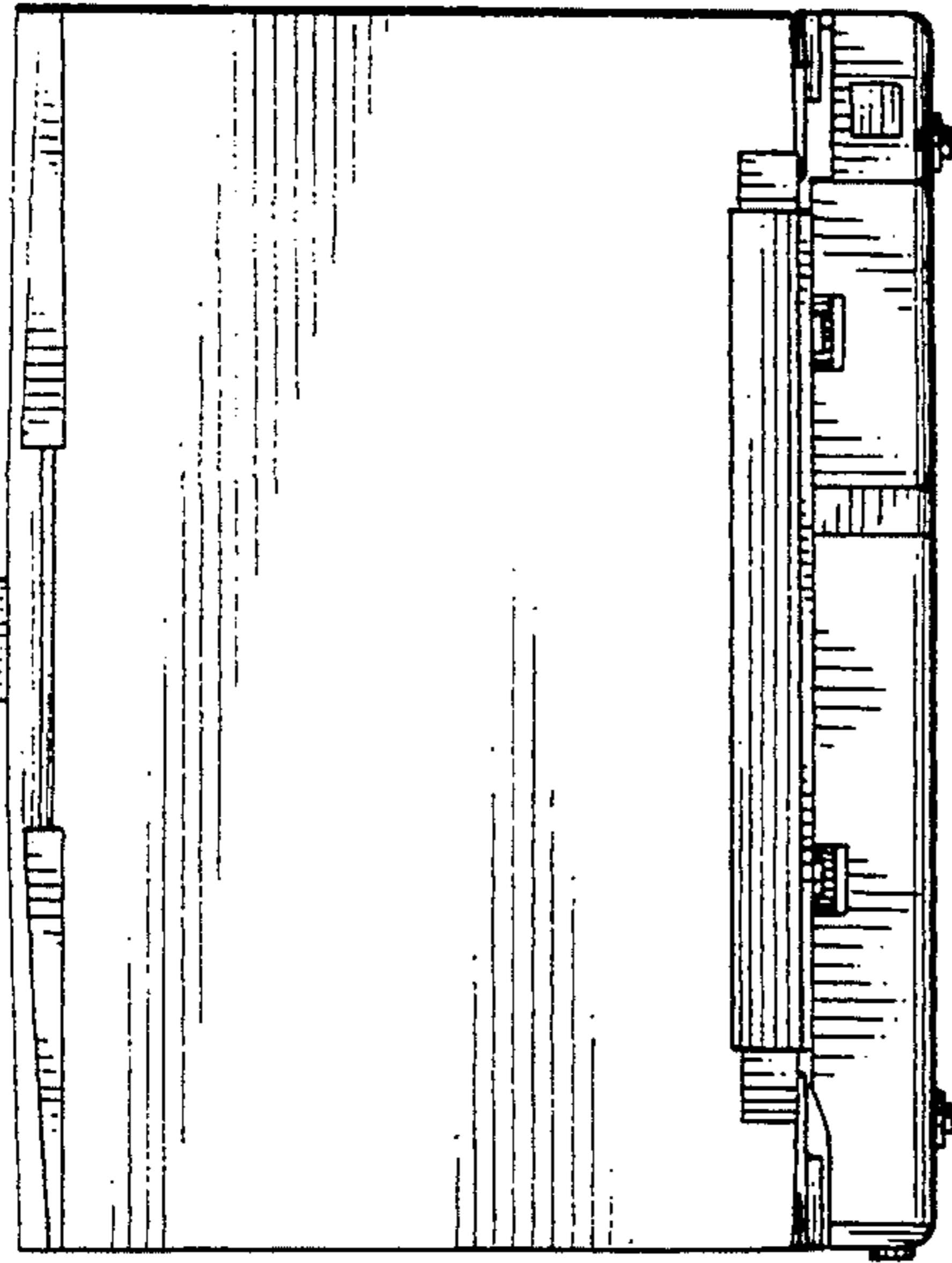


FIG. 1

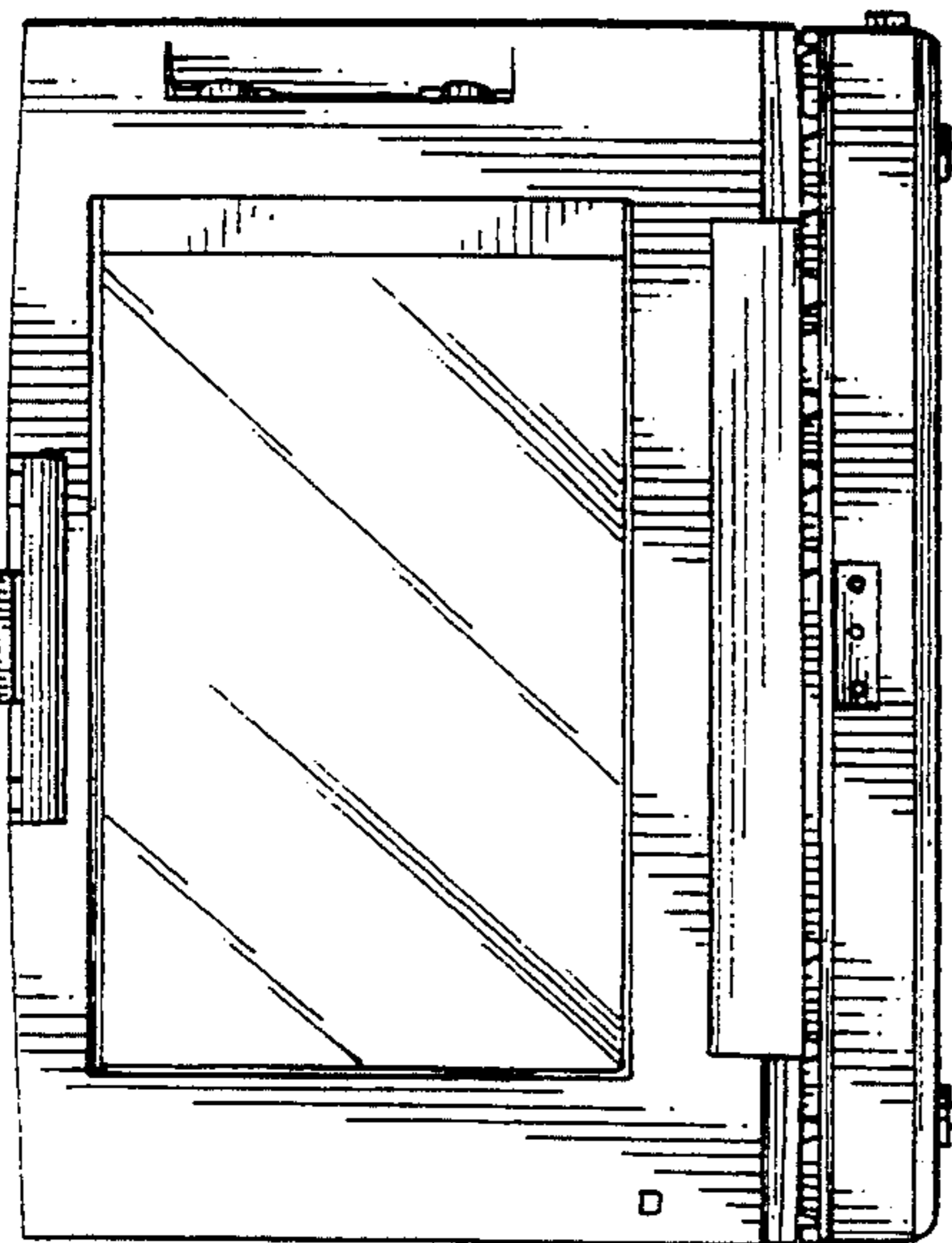


FIG. 2

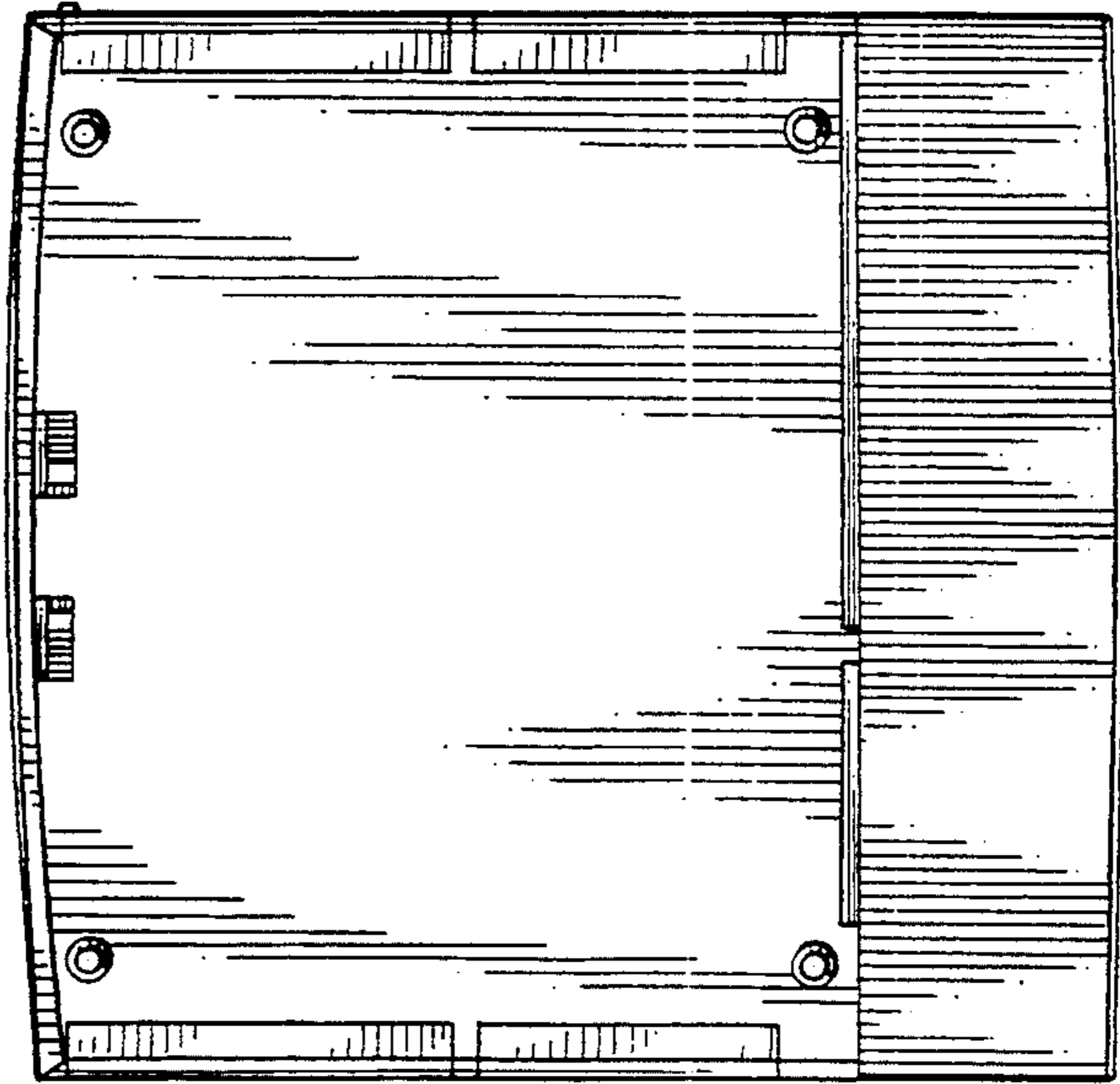


FIG. 3

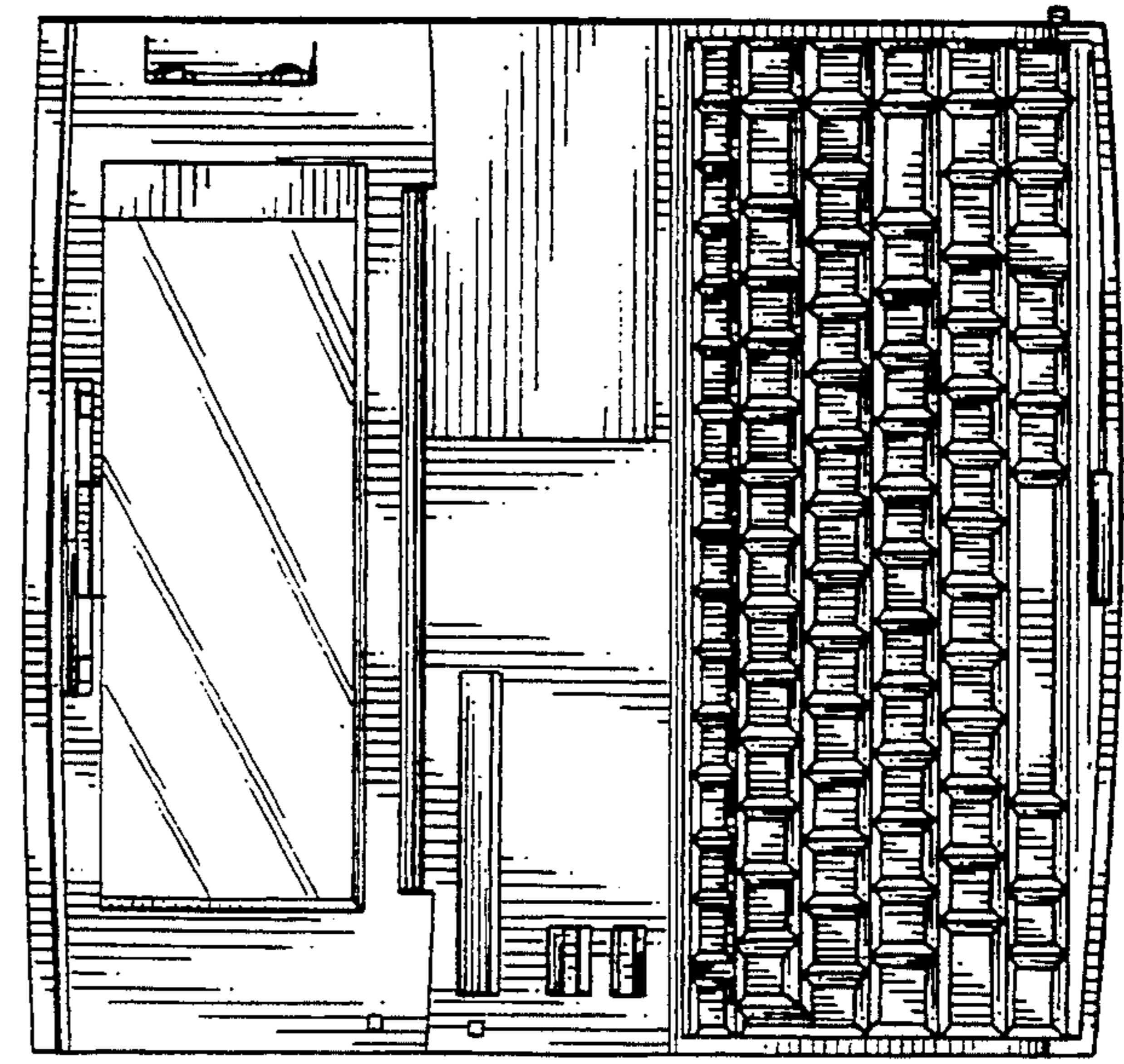


FIG. 4

FIG. 7

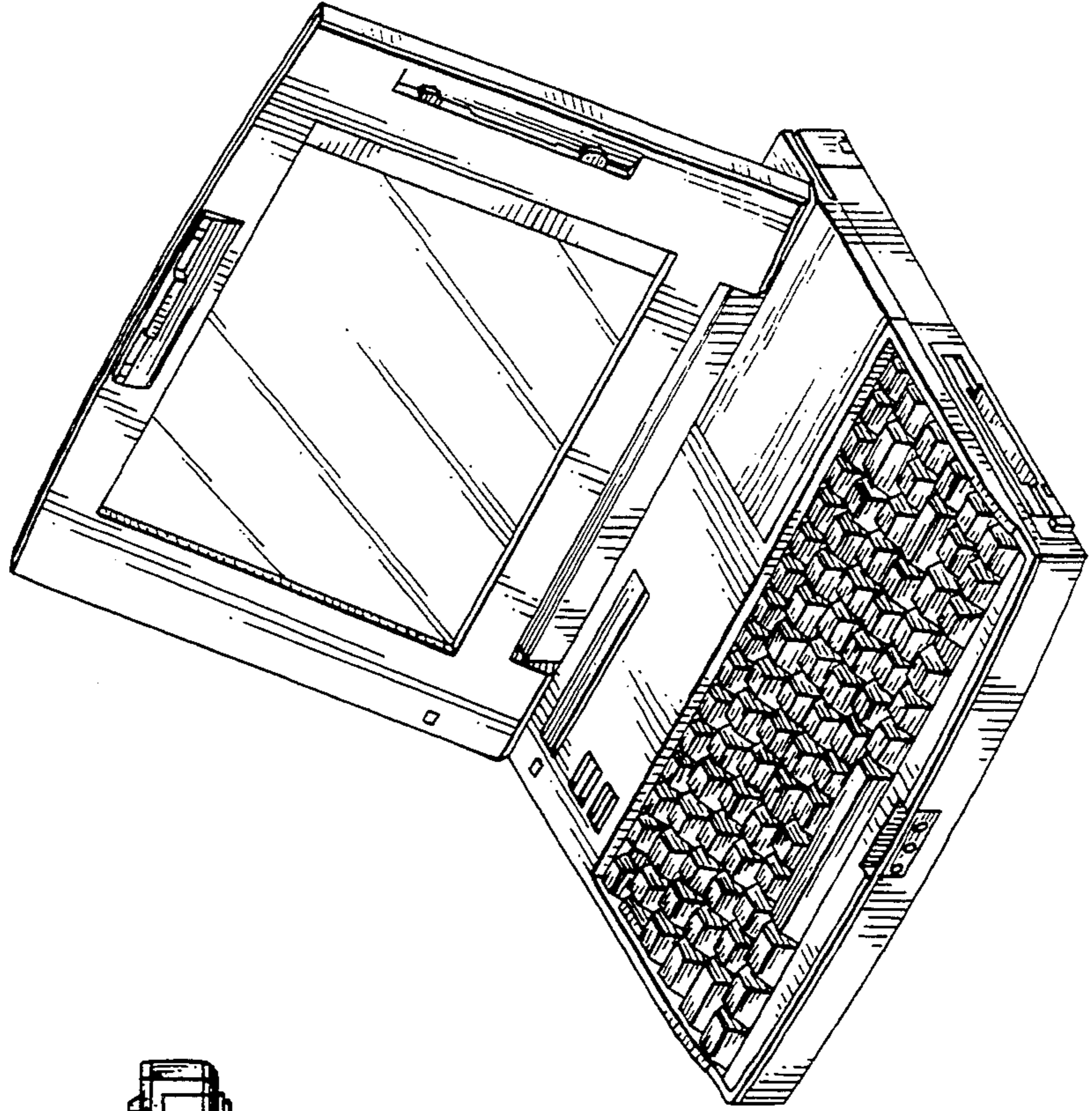


FIG. 6

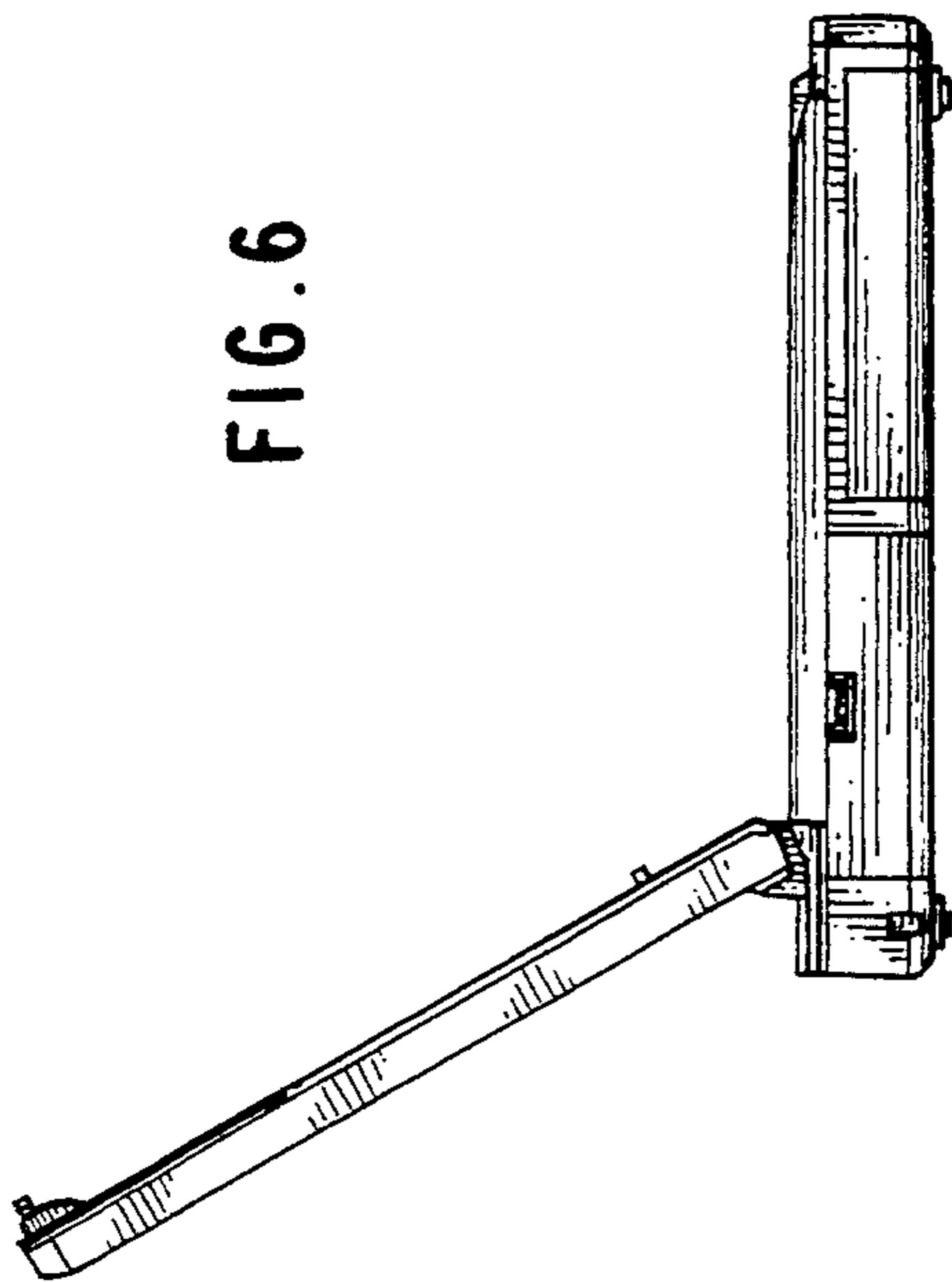


FIG. 5

