



US00D353580S

United States Patent [19]

[11] Patent Number: **Des. 353,580**

Woehler

[45] Date of Patent: **** Dec. 20, 1994**

[54] **LOCK FOR AN ELECTRICAL SWITCH**

4,468,544	8/1984	Wainess et al.	200/43.16
4,506,120	2/1985	Fleischman	200/43.19
5,115,376	5/1992	Nakajima	361/392 X

[76] Inventor: **Stephen K. Woehler**, 3633 E. 62nd St., Indianapolis, Ind. 46220

FOREIGN PATENT DOCUMENTS

[**] Term: **14 Years**

2927333	1/1981	Germany	174/58
0239441	1/1946	Switzerland	439/137

[21] Appl. No.: **867,928**

[22] Filed: **Apr. 13, 1992**

OTHER PUBLICATIONS

Related U.S. Application Data

Toggle switch lock on p. 2 of IBM Technical Disclosure Bulletin vol. 3, No. 8, Jan. 1961.

[63] Continuation-in-part of Ser. No. 486,173, Feb. 28, 1990, abandoned.

Primary Examiner—Wallace R. Burke

[52] U.S. Cl. **D13/173**

Assistant Examiner—Joel Sincavage

[58] Field of Search D8/44, 72, 394, 353; 248/500, 510; 16/DIG. 3, DIG. 4; 200/43.11, 43.16, 43.19, 43.21, 43.01, 43.22, 304, 333, 334; 174/66, 67; 220/242; 439/519, 528, 536; D13/173, 177; D15/76, 140, 199

Attorney, Agent, or Firm—Woodard, Emhardt, Naughton, Moriarty & McNett

[57] CLAIM

[56] References Cited

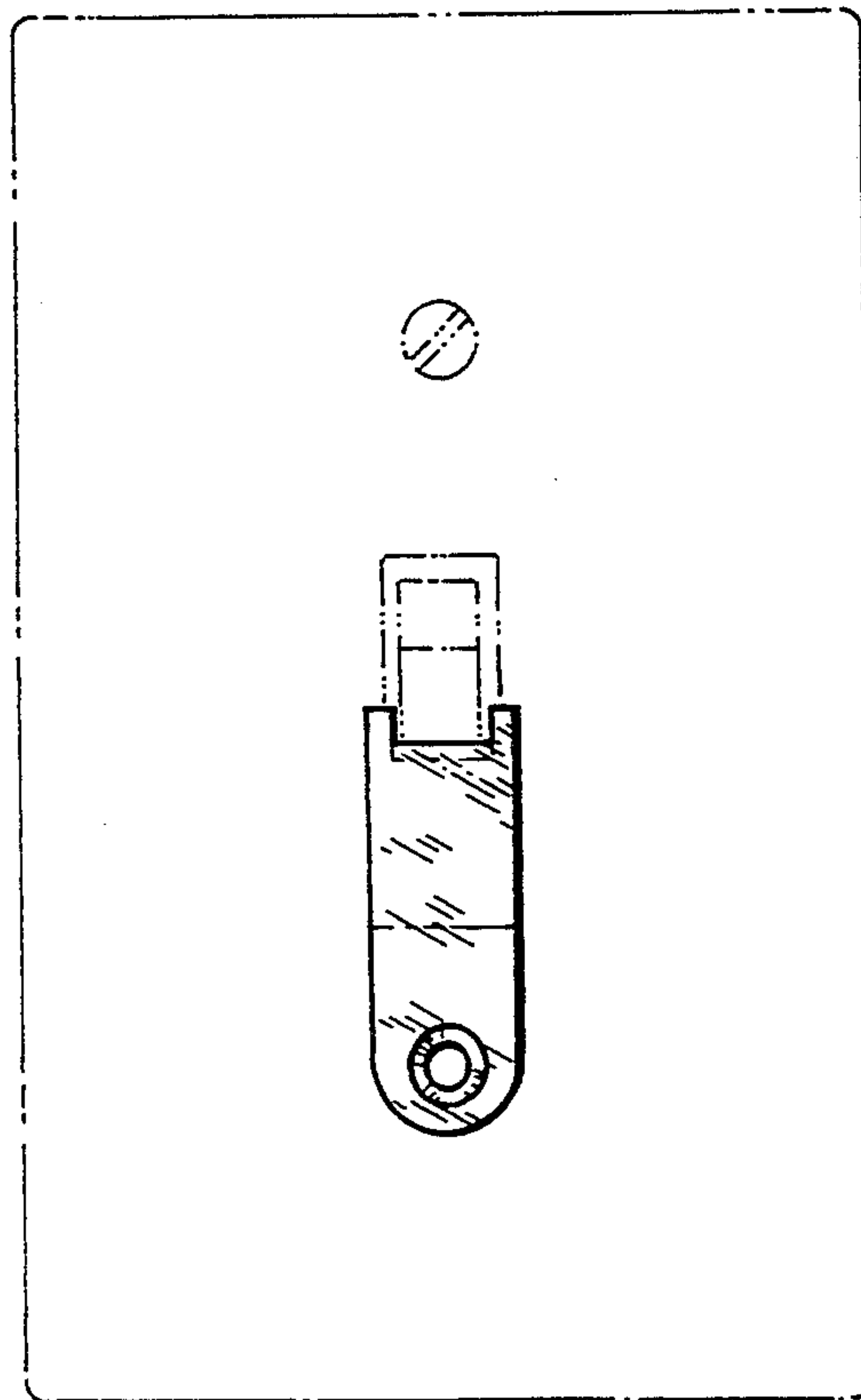
The ornamental design for a lock for an electrical switch, as shown and described.

U.S. PATENT DOCUMENTS

DESCRIPTION

D. 178,439	7/1956	Waller	D8/384
D. 197,426	2/1964	Hussar	D8/394
D. 253,171	10/1979	Harris et al.	D13/132
D. 264,205	5/1982	Logeman et al.	D13/179
D. 319,576	9/1991	Westphal et al.	D8/400
2,472,205	6/1949	Greider	338/197 X
2,813,938	11/1957	Speitzman	200/43.21
3,811,104	5/1974	Caldwell	439/373 X
3,995,201	11/1976	Allardice, Jr.	361/380
4,052,655	10/1977	Vizza	439/147 X

FIG. 1 is a front elevational view of a lock for an electrical switch showing my new design. The broken line showing the wall switch and switch plate is included for the purpose of illustrating environmental elements only and forms no part of the claimed design; FIG. 2 is a rear elevational view thereof; FIG. 3 is a right side elevational view thereof; the left side elevational view thereof being the mirror image; FIG. 4 is a top plan view thereof; and, FIG. 5 is a bottom plan view thereof.



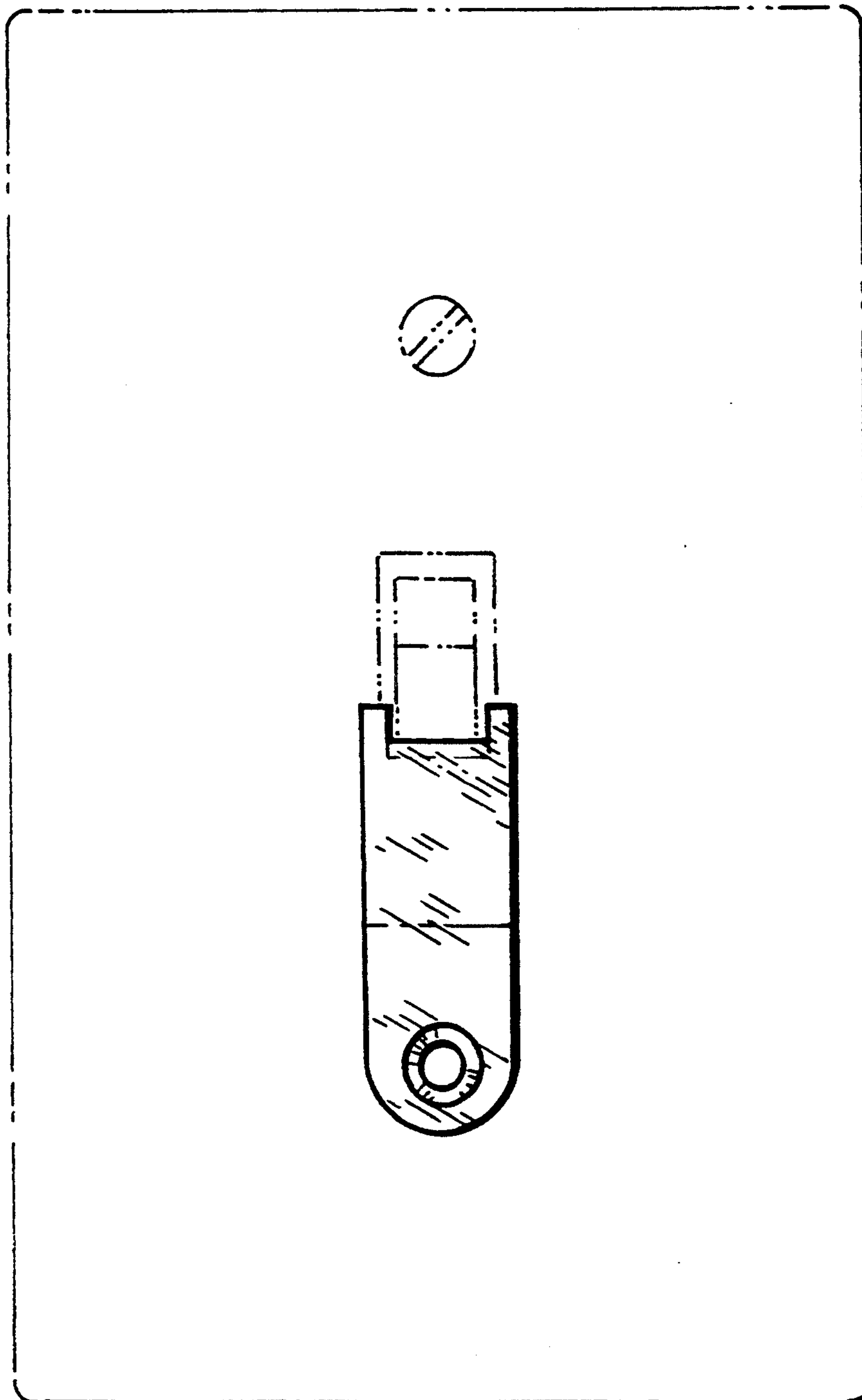


Fig. 1

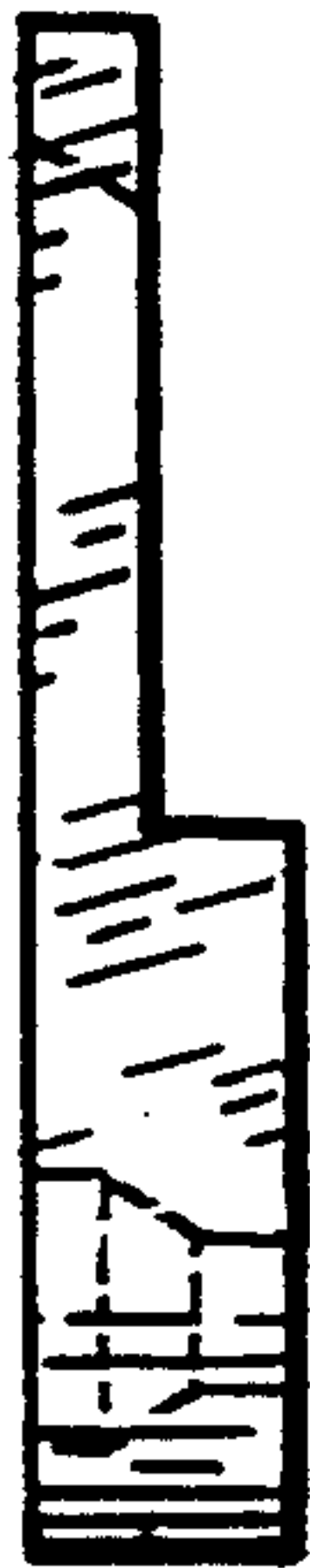


Fig. 3

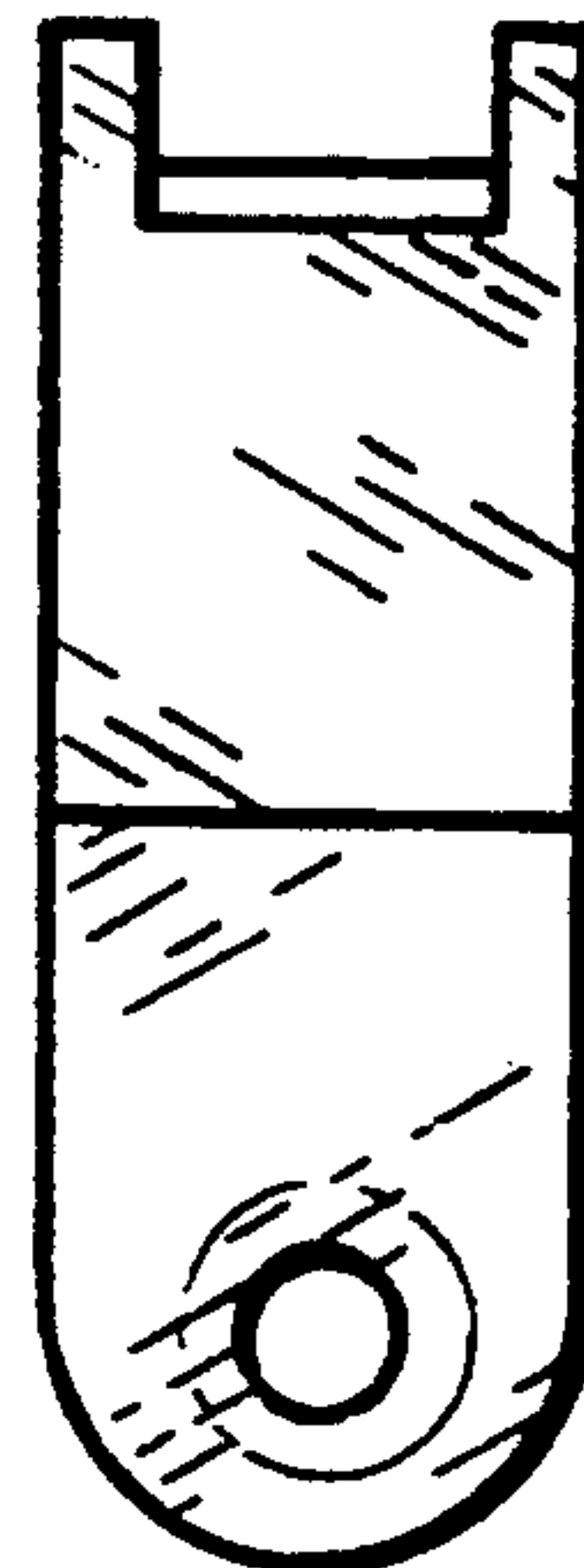


Fig. 2



Fig. 4



Fig. 5