



US00D353578S

United States Patent [19]

[11] Patent Number: **Des. 353,578**

Johnson et al.

[45] Date of Patent: **** Dec. 20, 1994**

[54] **ELECTRICAL PLUG AND CONNECTION HOLDER**

4,741,590	5/1988	Caron	439/369 X
4,773,874	9/1988	Kopeski, Jr.	439/369
4,925,399	5/1990	Bosworth et al.	439/369 X
4,940,427	7/1990	Pearson	439/501

[76] Inventors: **David L. Johnson**, 3175 Cope Dr., Owosso, Mich. 48867; **Donald C. Schumacher**, 1387 W. Cook Rd., Grand Banc, Mich. 48439

FOREIGN PATENT DOCUMENTS

2605810 4/1988 France 439/369

[**] Term: **14 Years**

Primary Examiner—Wallace R. Burke
Assistant Examiner—Joel Sincavage
Attorney, Agent, or Firm—Terry M. Gernstein

[21] Appl. No.: **6,262**

[22] Filed: **Mar. 23, 1993**

[57] CLAIM

[52] U.S. Cl. **D13/154**

The ornamental design for an electrical plug and connection holder, as shown and described.

[58] Field of Search D8/356; 174/71 R, 135; 439/369, 533; D9/455; 248/102, 103, 104, 72.3, 74.2; D13/154; D12/114

DESCRIPTION

[56] References Cited

U.S. PATENT DOCUMENTS

D. 275,175	8/1984	Rolli, Jr.	D8/356
949,243	2/1910	Murray	174/77 R
2,024,734	12/1935	Hoskins	439/501
2,720,633	10/1955	Westberg	439/369
2,943,138	6/1960	Reager	174/66
4,723,801	2/1988	Musumeci et al.	D9/455 X

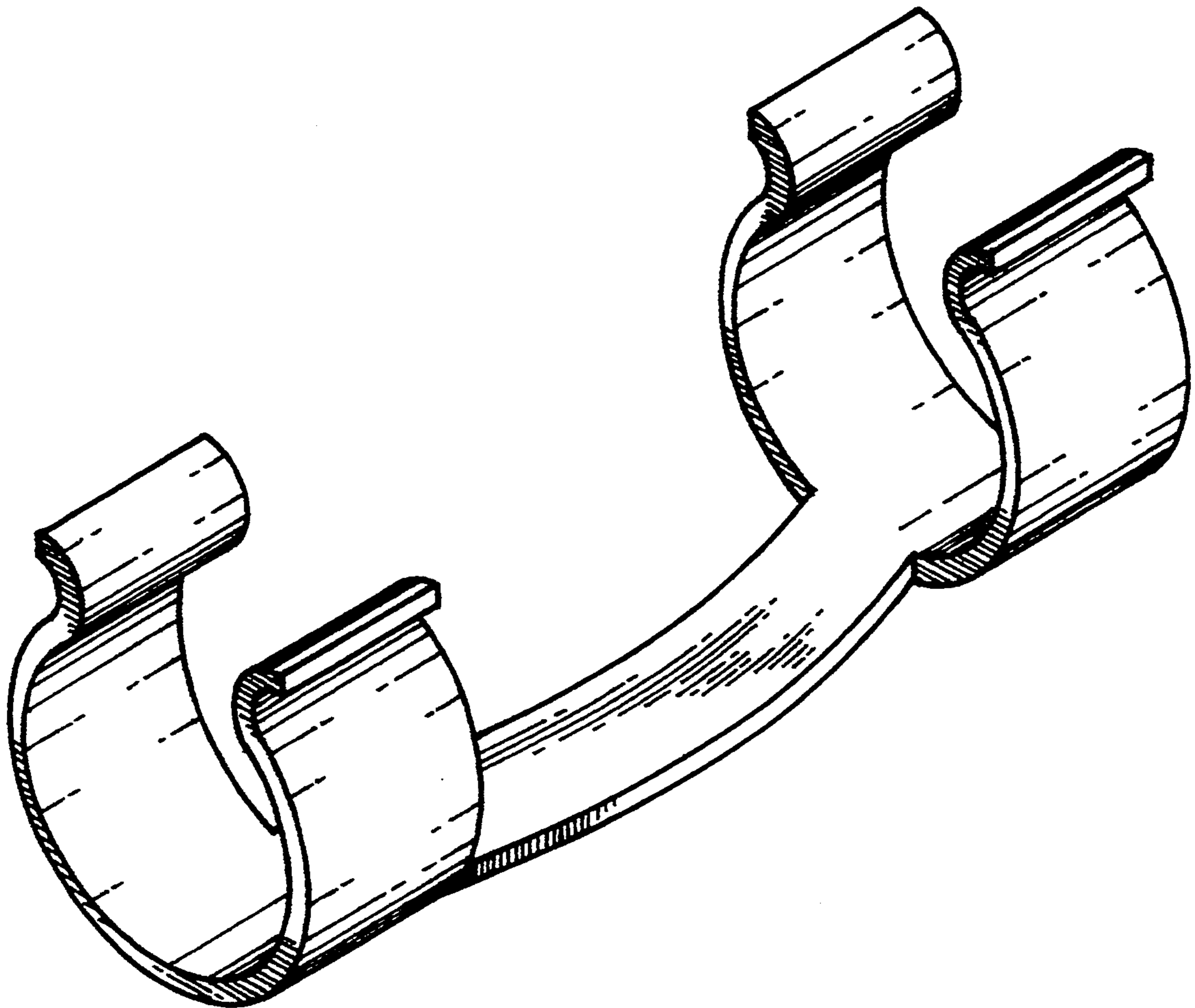
FIG. 1 is a front, top and side perspective view of the electrical plug and connection holder showing our new design;

FIG. 2 is a front elevational view thereof, the rear being a mirror image of the front shown in FIG. 2;

FIG. 3 is an end elevational view thereof, the end opposite being a mirror image of the end shown in FIG. 3;

FIG. 4 is a top plan view thereof; and,

FIG. 5 is a bottom plan view thereof.



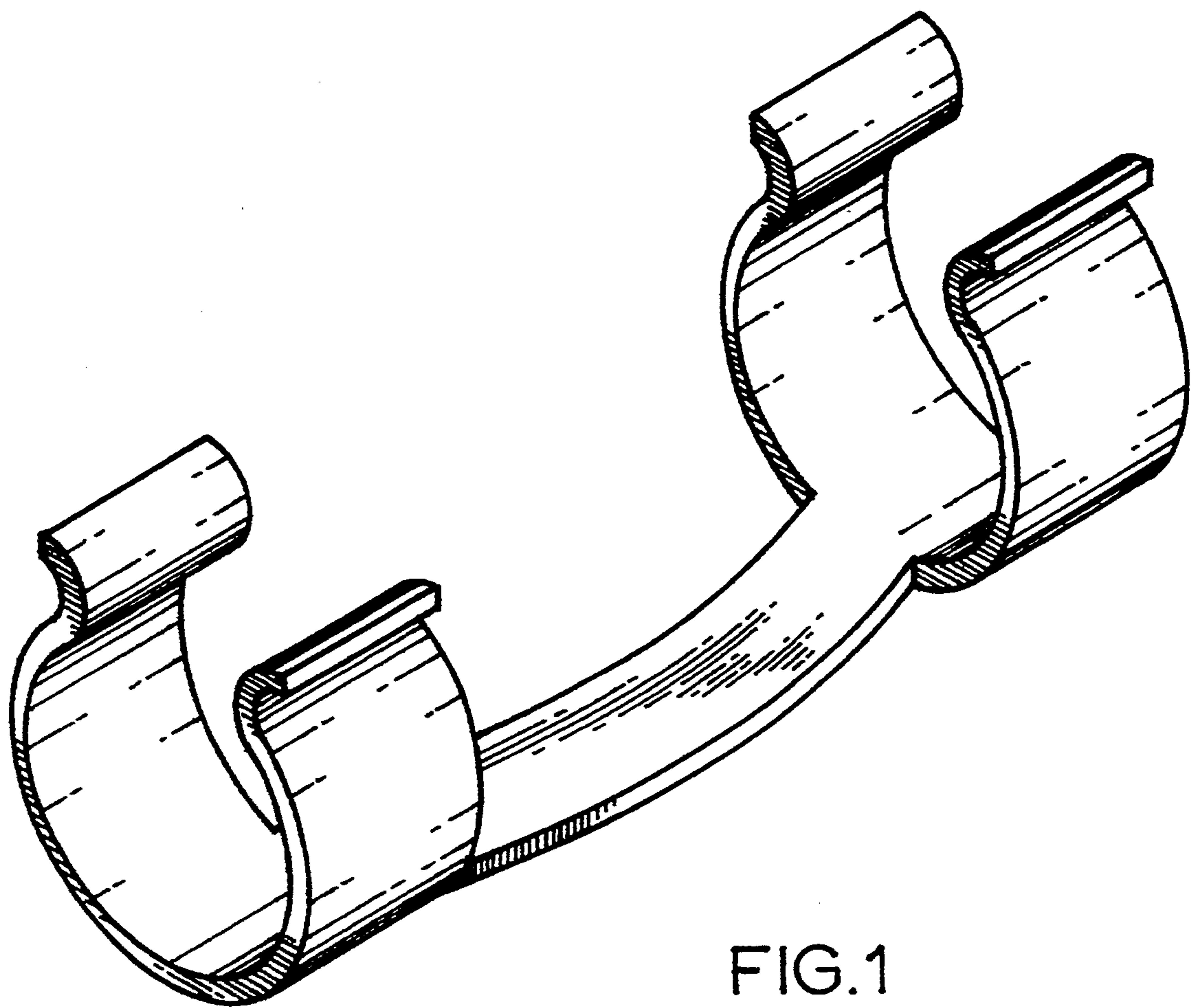


FIG. 1

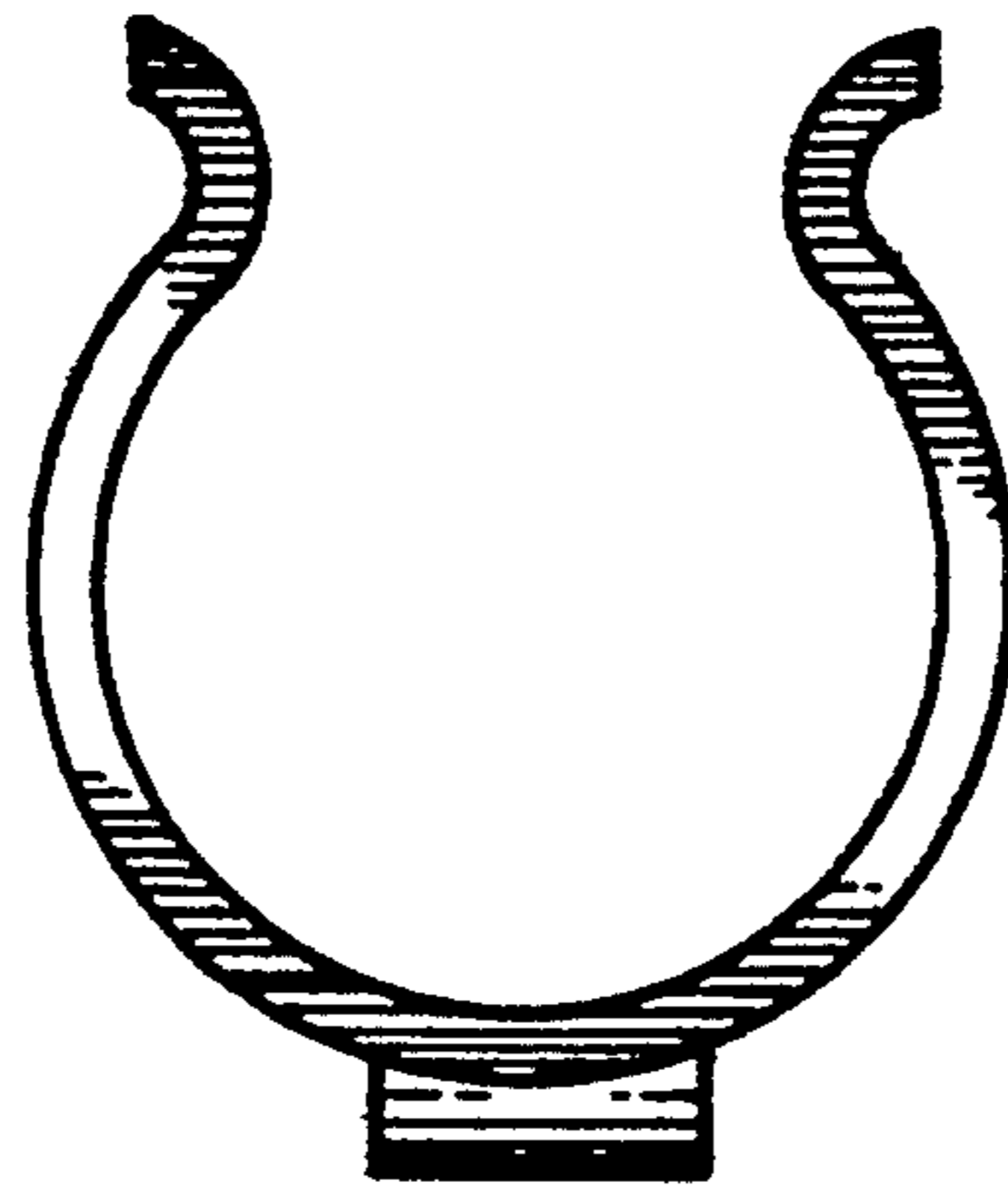


FIG. 3

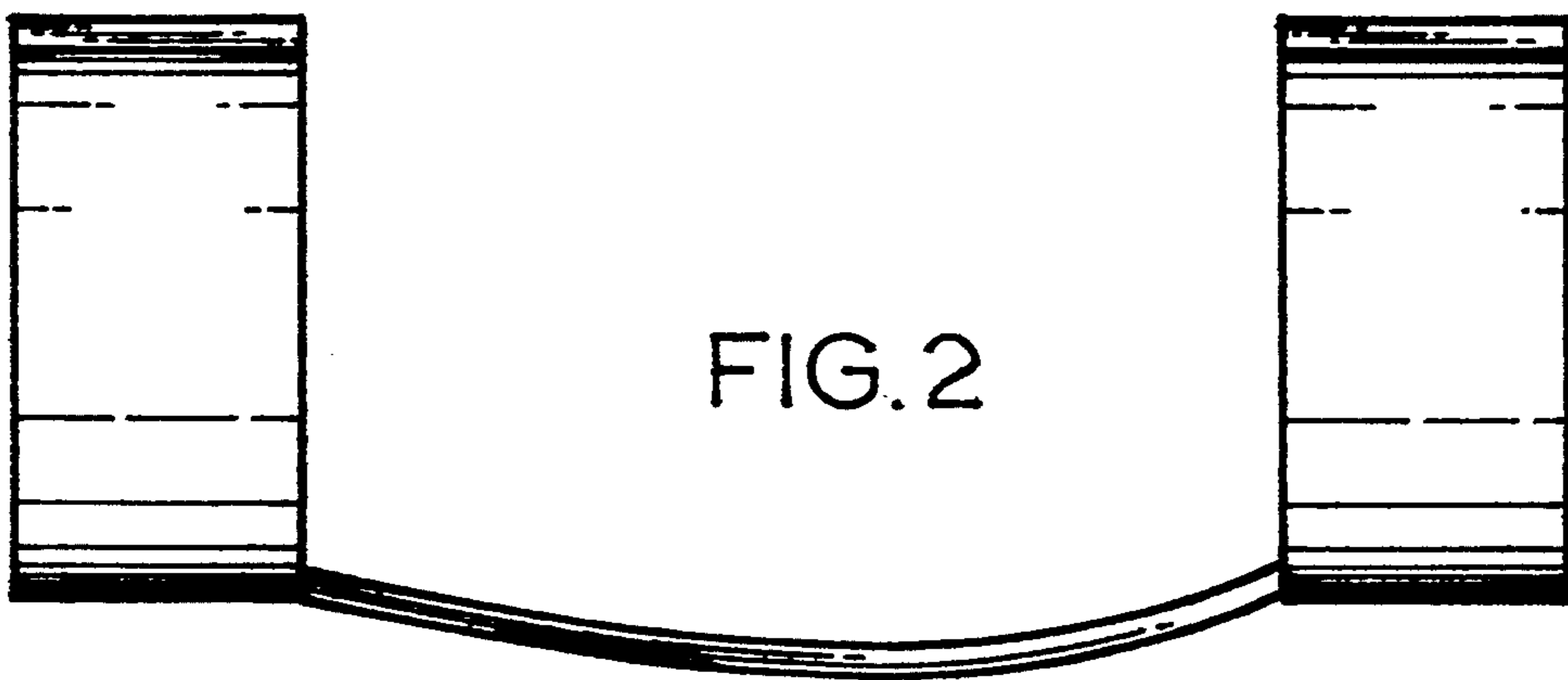


FIG. 2

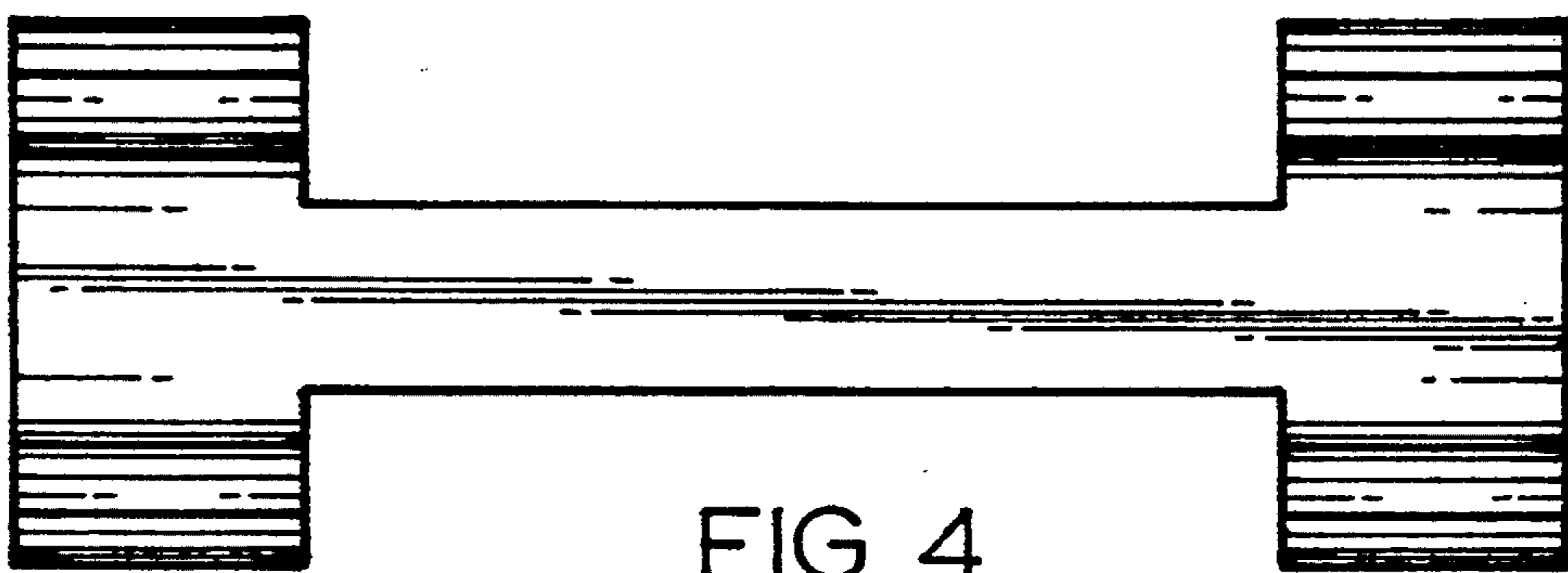


FIG. 4

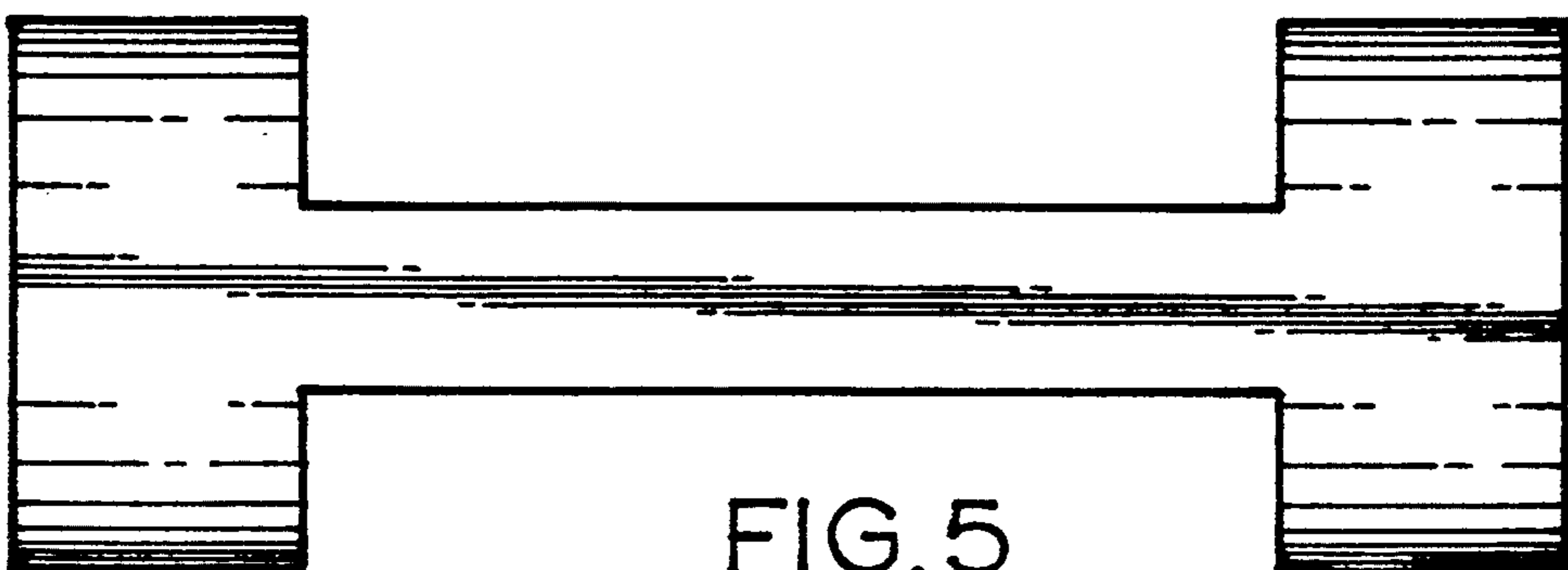


FIG. 5