



US00D353569S

United States Patent [19]

[11] Patent Number: **Des. 353,569**

Ferguson

[45] Date of Patent: **** Dec. 20, 1994**

[54] **AUTO VISOR SUNSHIELD**

[76] Inventor: **Darrian L. Ferguson**, 2420f N. Main St., Salinas, Calif. 93906

[**] Term: **14 Years**

[21] Appl. No.: **15,628**

[22] Filed: **Nov. 23, 1993**

[52] U.S. Cl. **D12/191**

[58] Field of Search 296/97.6, 97.7, 97.8; 160/370.2 R, DIG. 3; D12/191; D16/110-112, 123

2,829,919 5/1958 Bartlett 296/97.6

3,545,805 12/1970 Wilson 296/97.6

3,697,125 10/1972 Van Sickle 296/97.6

4,167,287 9/1979 Franklin et al. 296/97.6

4,239,278 12/1980 Skilliter, Jr. 296/97.1

Primary Examiner—James M. Gandy
Attorney, Agent, or Firm—Richard C. Litman

[57] CLAIM

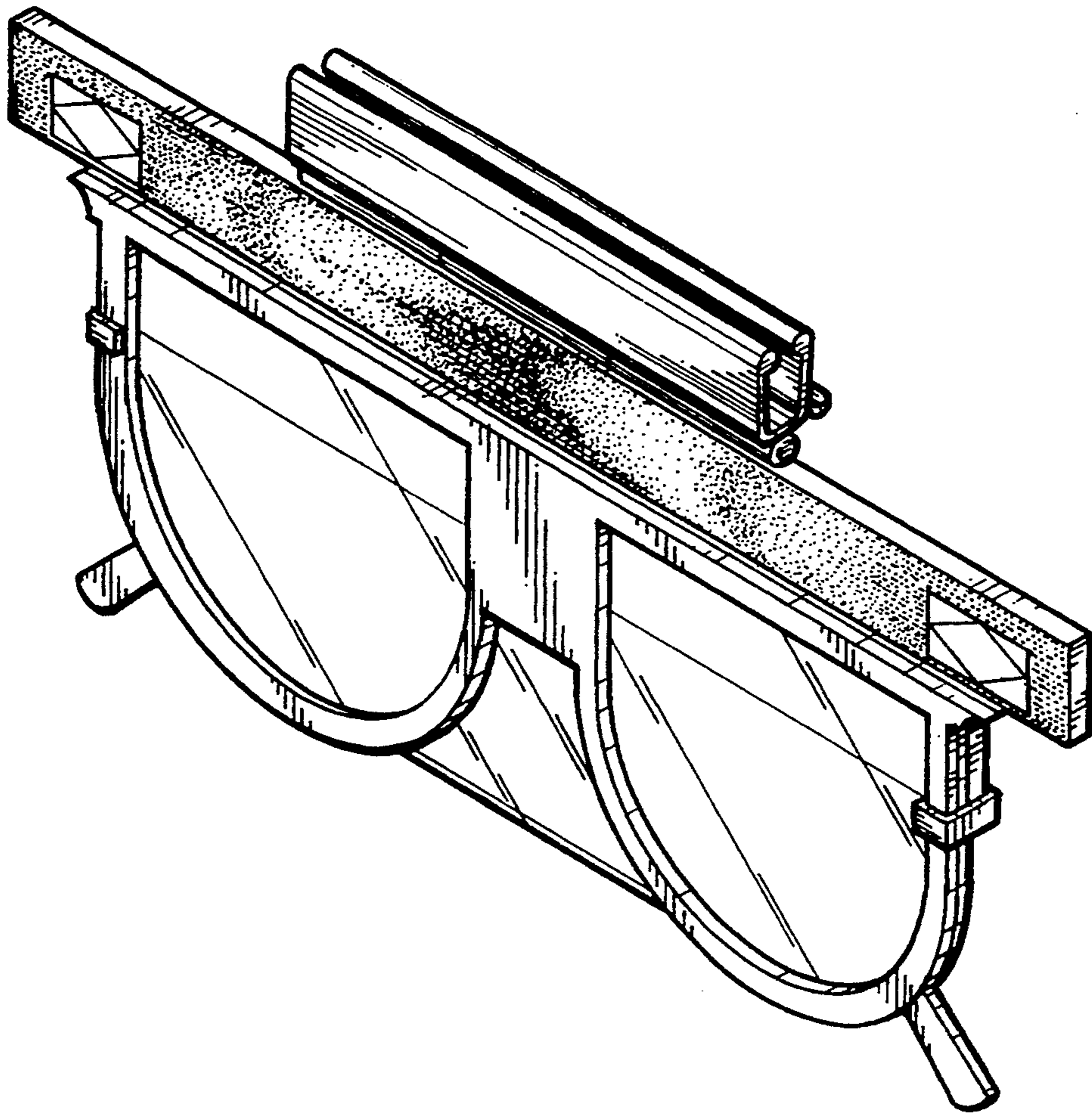
The ornamental design for an auto visor sunshield, as shown and described.

DESCRIPTION

FIG. 1 is a front perspective view of an auto visor sunshield showing my new design;
 FIG. 2 is a front perspective view thereof with the sunshield of the auto visor sunshield lowered;
 FIG. 3 is a top view thereof;
 FIG. 4 is a front elevational view thereof;
 FIG. 5 is a bottom view thereof;
 FIG. 6 is a rear elevational view thereof; and,
 FIG. 7 is a right side elevational view thereof, with the left side being a mirror image.

[56] **References Cited**
U.S. PATENT DOCUMENTS

D. 310,195	8/1990	Ruimi	D12/401
D. 312,608	12/1990	Wong, Jr. et al.	D12/191
D. 344,530	2/1994	Johnson	D12/191
2,112,726	3/1938	Kemp et al.	296/97
2,458,125	1/1949	Winkler	296/97.6
2,534,748	12/1950	Willson	D16/112
2,668,952	2/1954	Kobashikawa	D12/191
2,681,824	6/1954	Knoblock	D12/191



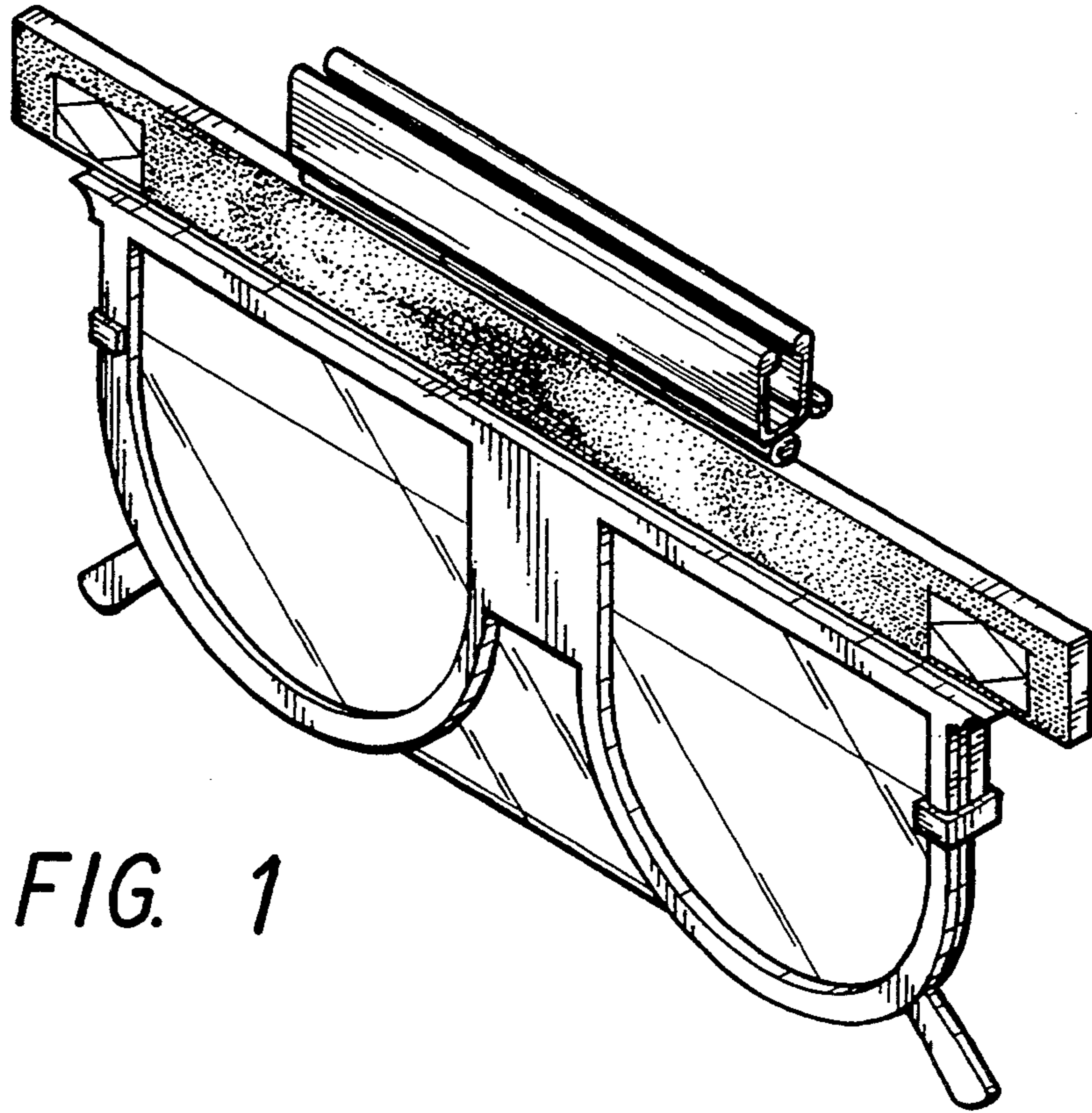


FIG. 1

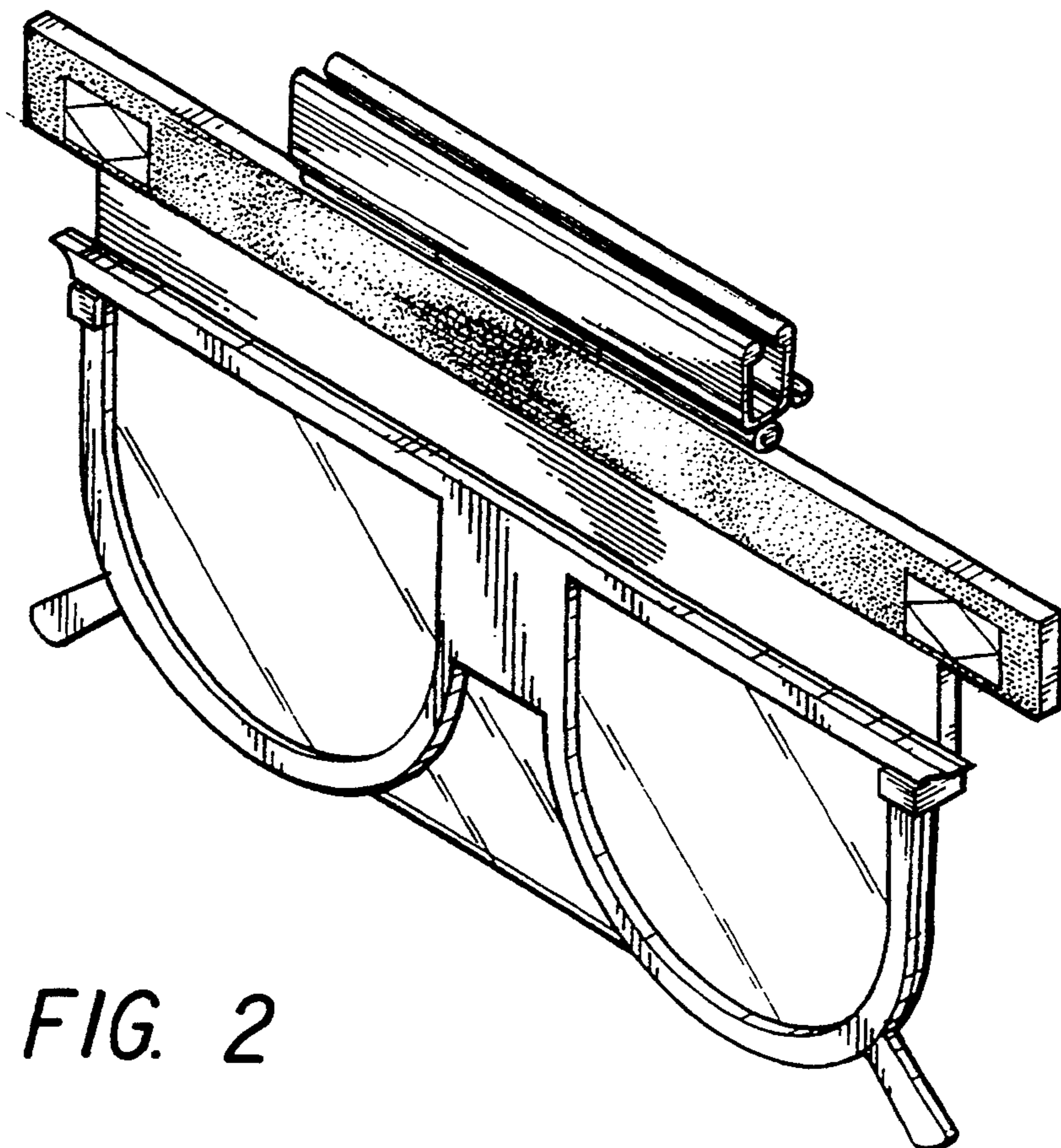


FIG. 2



FIG. 3

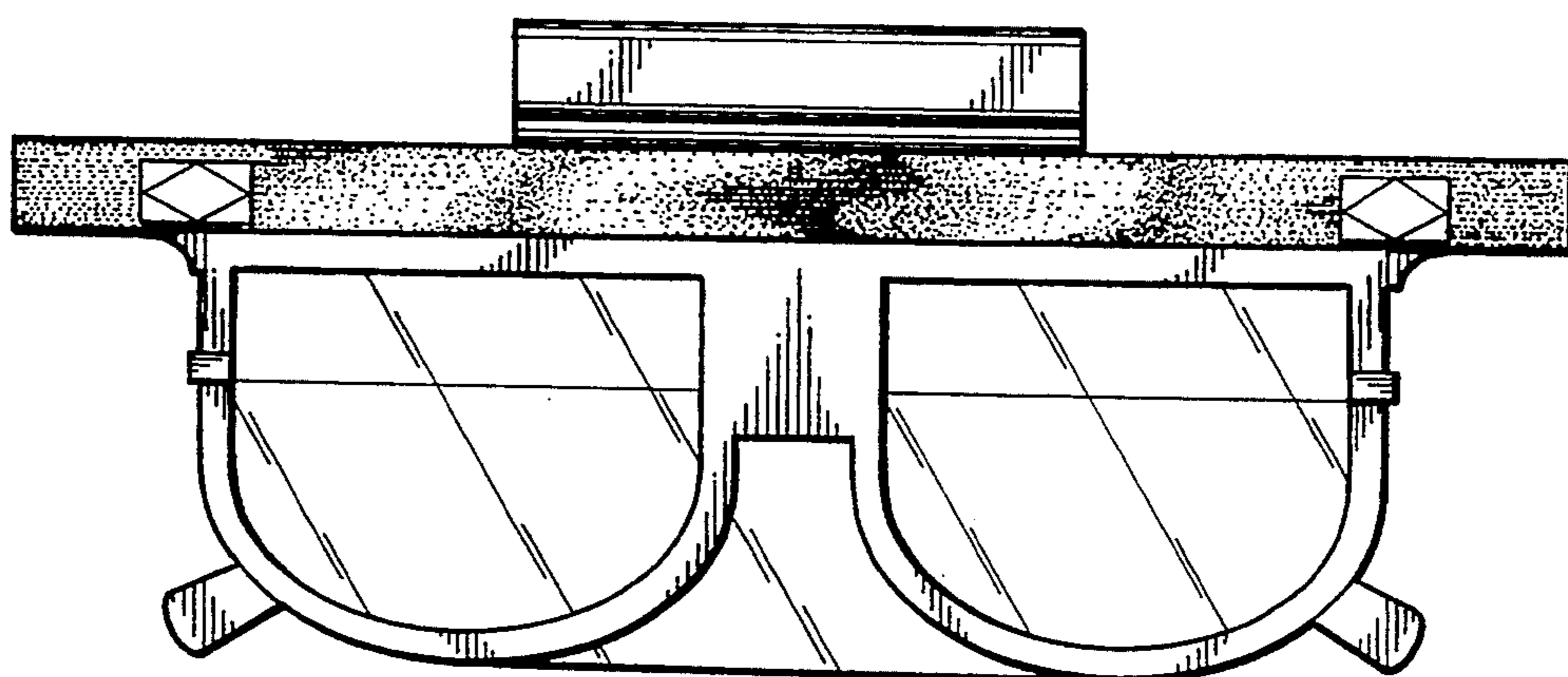


FIG. 4



FIG. 5

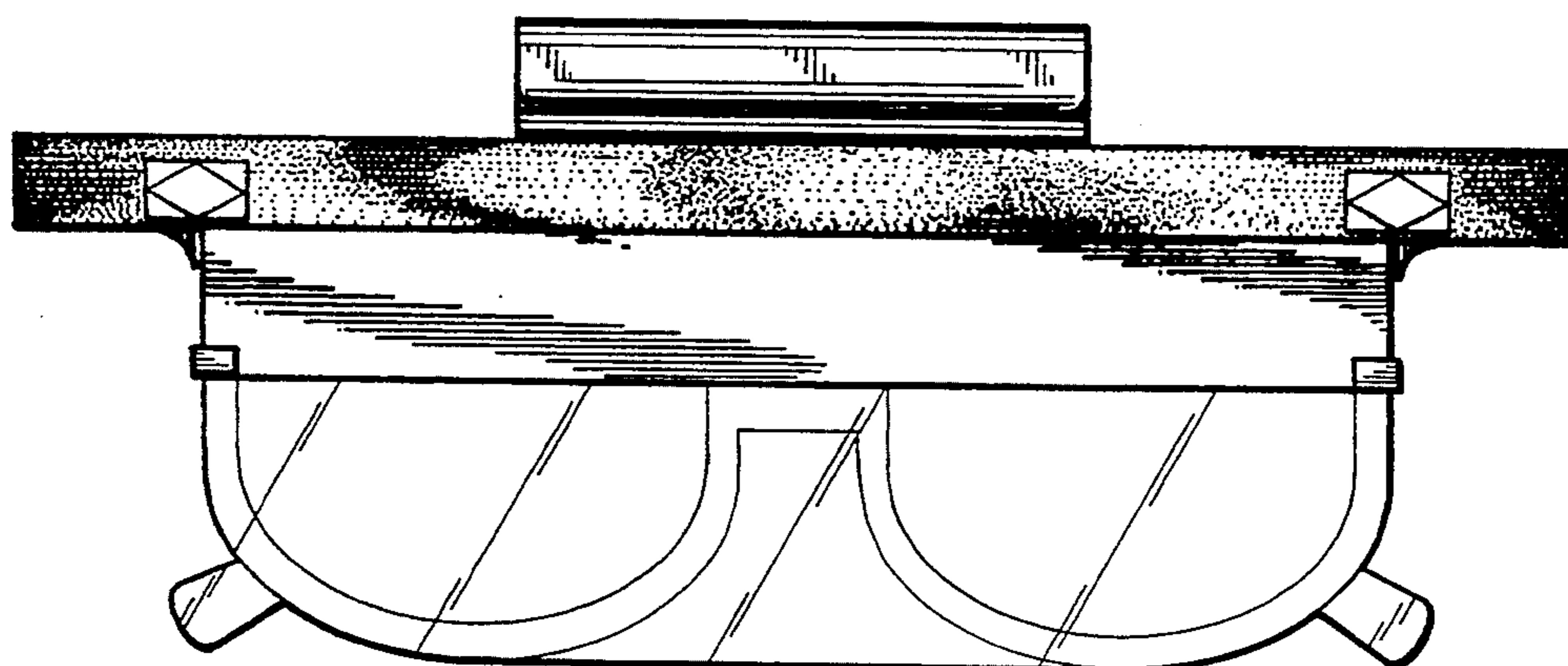


FIG. 6



FIG. 7