



US00D353567S

United States Patent [19]

[11] Patent Number: **Des. 353,567**

Anderson et al.

[45] Date of Patent: **** Dec. 20, 1994**

[54] **TIRE TREAD**

[75] Inventors: **Norman D. Anderson**, Uniontown; **John S. Attinello**, Hartville; **Dale G. Freygang**, Akron; **Samuel P. Landers**, Uniontown, all of Ohio; **Kevin A. Reid**, Asheville, N.C.

[73] Assignee: **The Goodyear Tire & Rubber Company**, Akron, Ohio

[**] Term: **14 Years**

[21] Appl. No.: **5,647**

[22] Filed: **Mar. 8, 1993**

[52] U.S. Cl. **D12/147**

[58] Field of Search 152/209 R, 209 B, 209 D;
D12/140, 145-151

[56] **References Cited**

U.S. PATENT DOCUMENTS

- D. 294,930 3/1988 Slagh D12/147
- D. 317,741 6/1991 Kuroda D12/147
- D. 326,252 5/1992 Slagh D12/147
- D. 334,369 3/1993 Christenbury D12/147

OTHER PUBLICATIONS

1992 Tread Design Guide, p. 74, Summit Radial Trac 70 (SR Rated) Tire, second row down from top, right side of page.

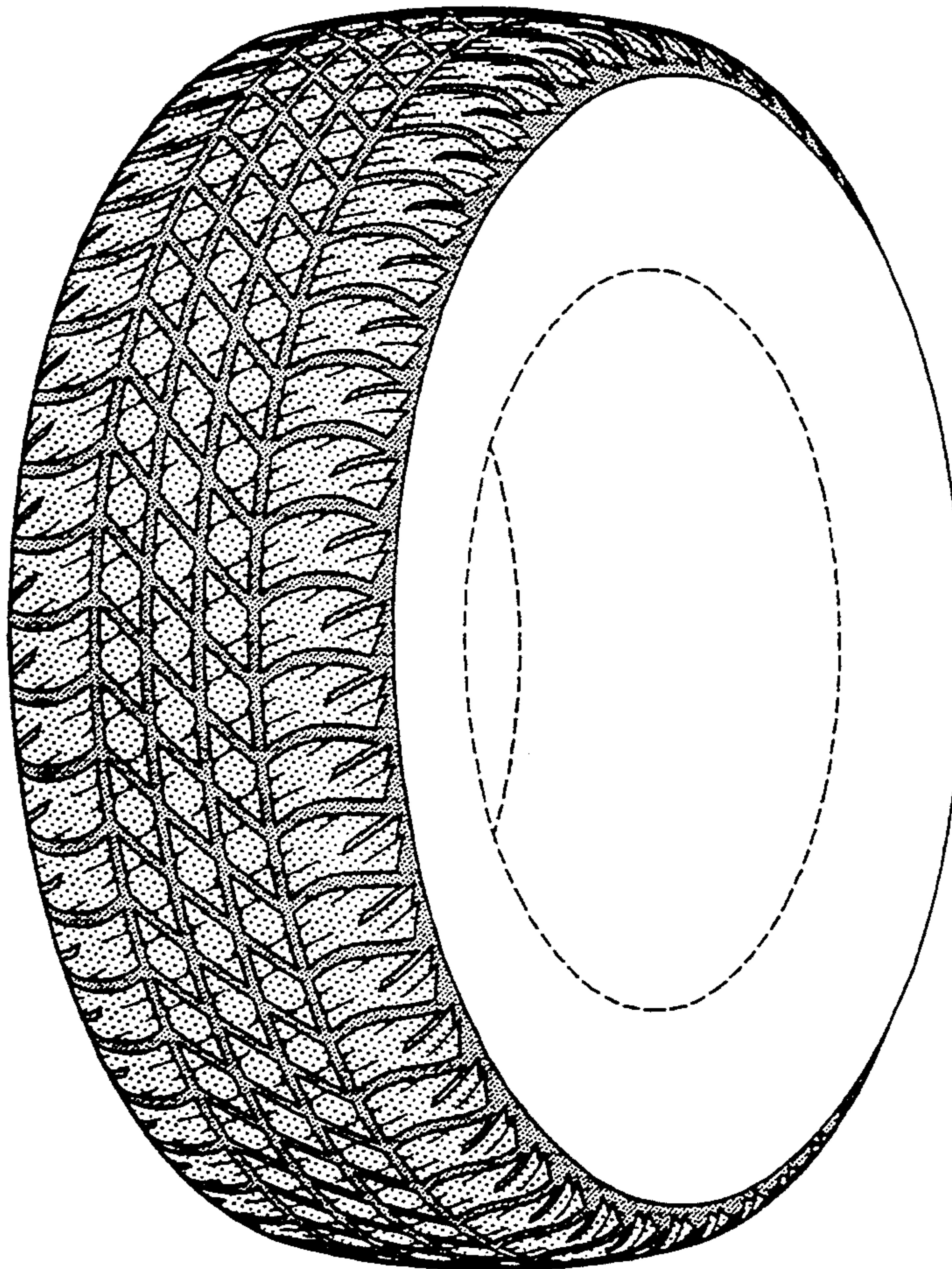
Primary Examiner—James M. Gandy
Attorney, Agent, or Firm—T. P. Lewandowski

[57] **CLAIM**

The ornamental design for a tire tread, as shown and described.

DESCRIPTION

FIG. 1 is a perspective view of a tire tread showing our new design it being understood that the pattern is repeated throughout the circumference thereof; FIG. 2 is a front elevational view thereof; FIG. 3 is a side elevational view thereof; and, FIG. 4 is an enlarged fragmentary front view thereof. In the drawings, the broken line showing of the tire sidewall and the solid line defining the peripheral boundary between the tire tread and the sidewall are for illustrative purposes only and form no part of the claimed design.



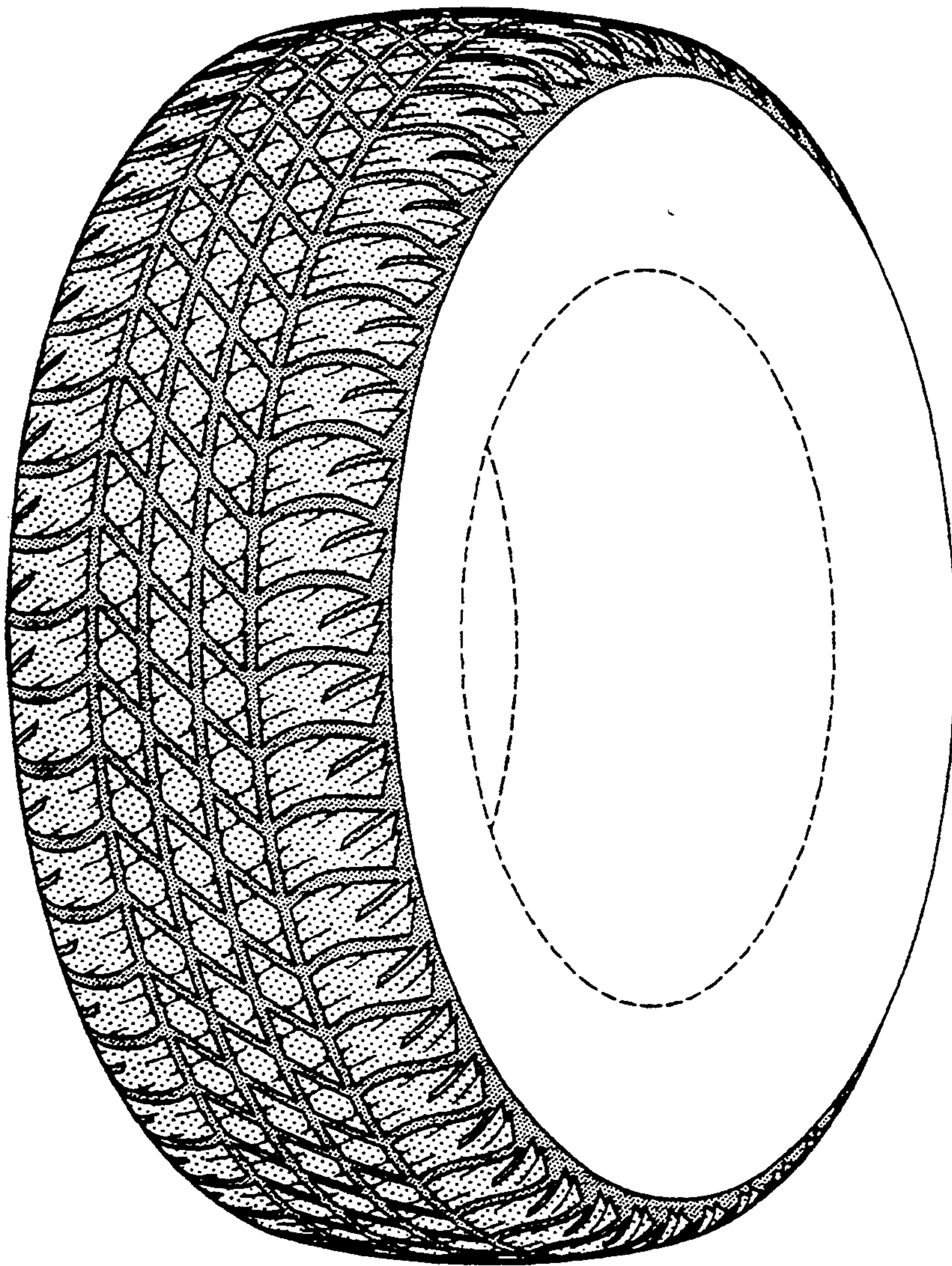


FIG-1

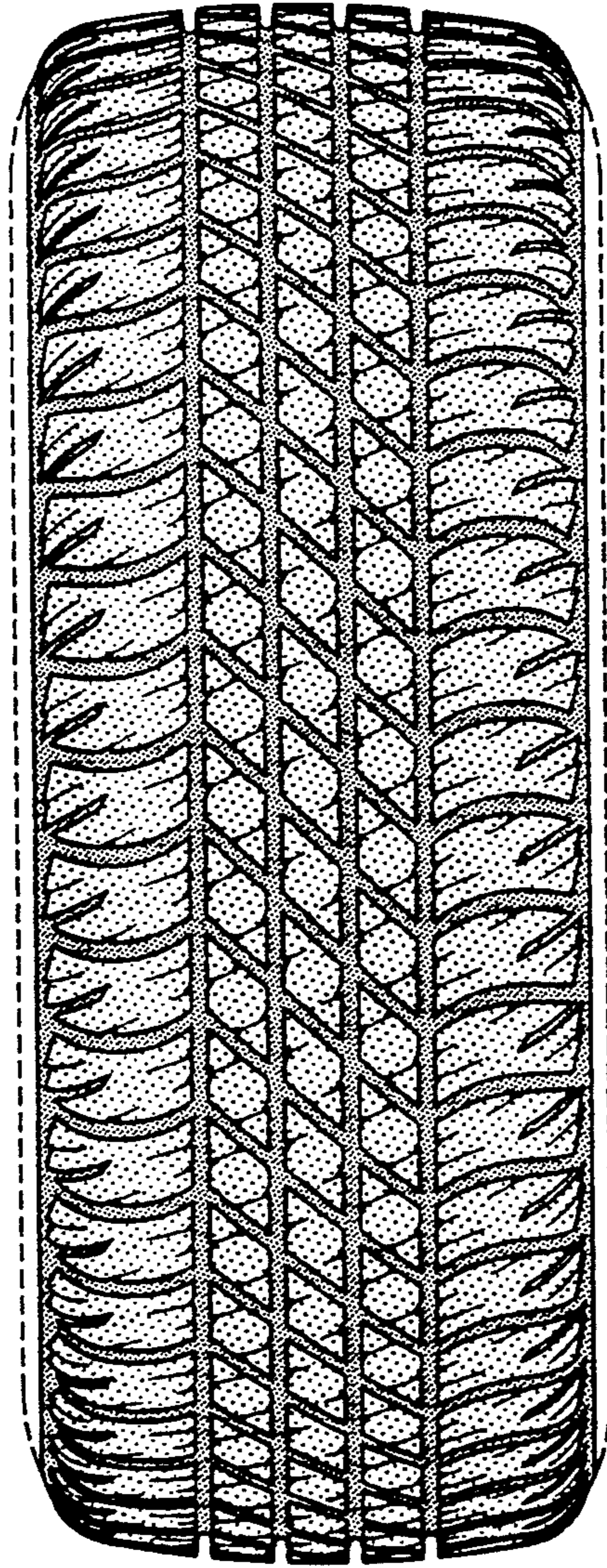


FIG-2

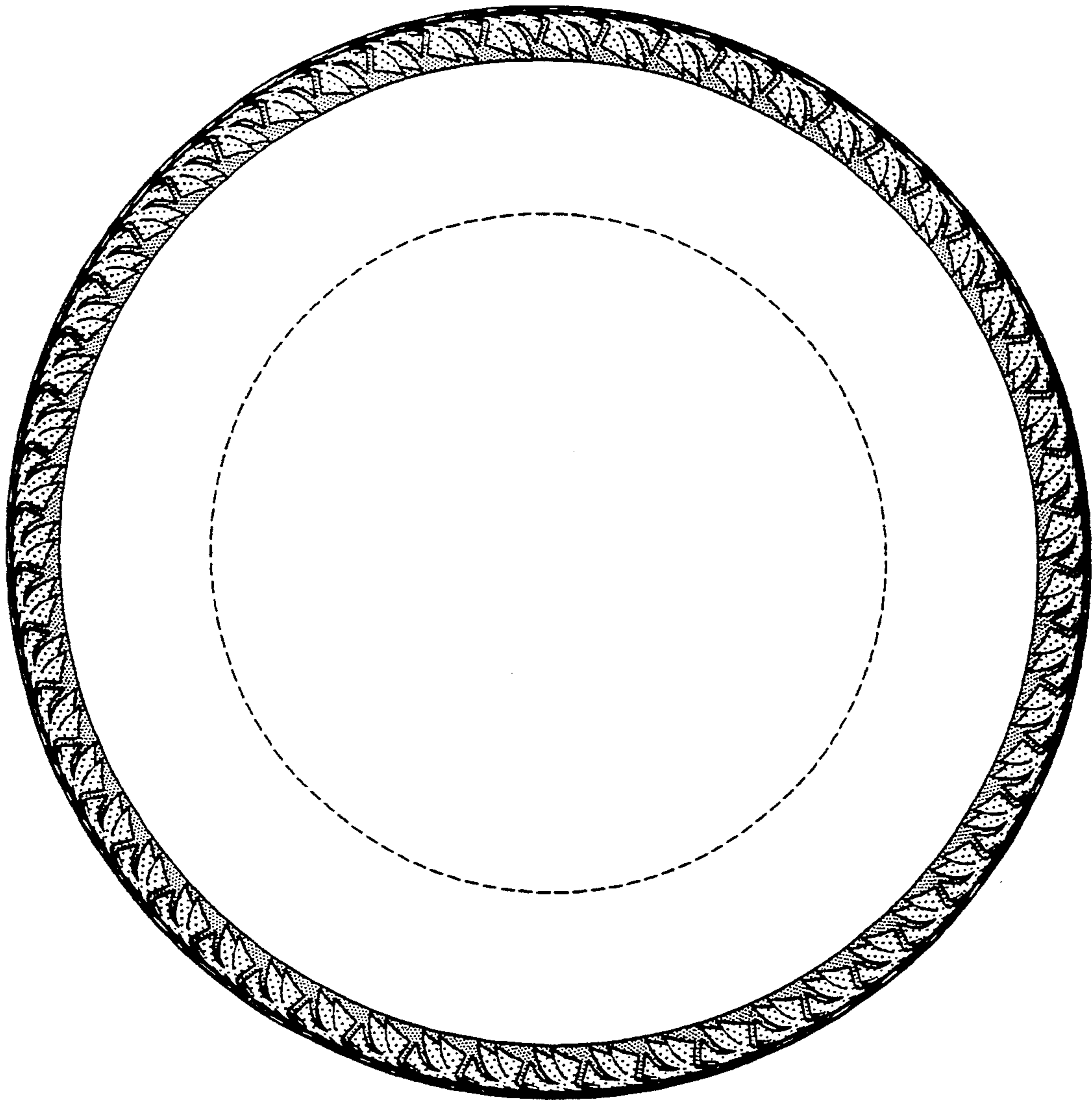


FIG-3

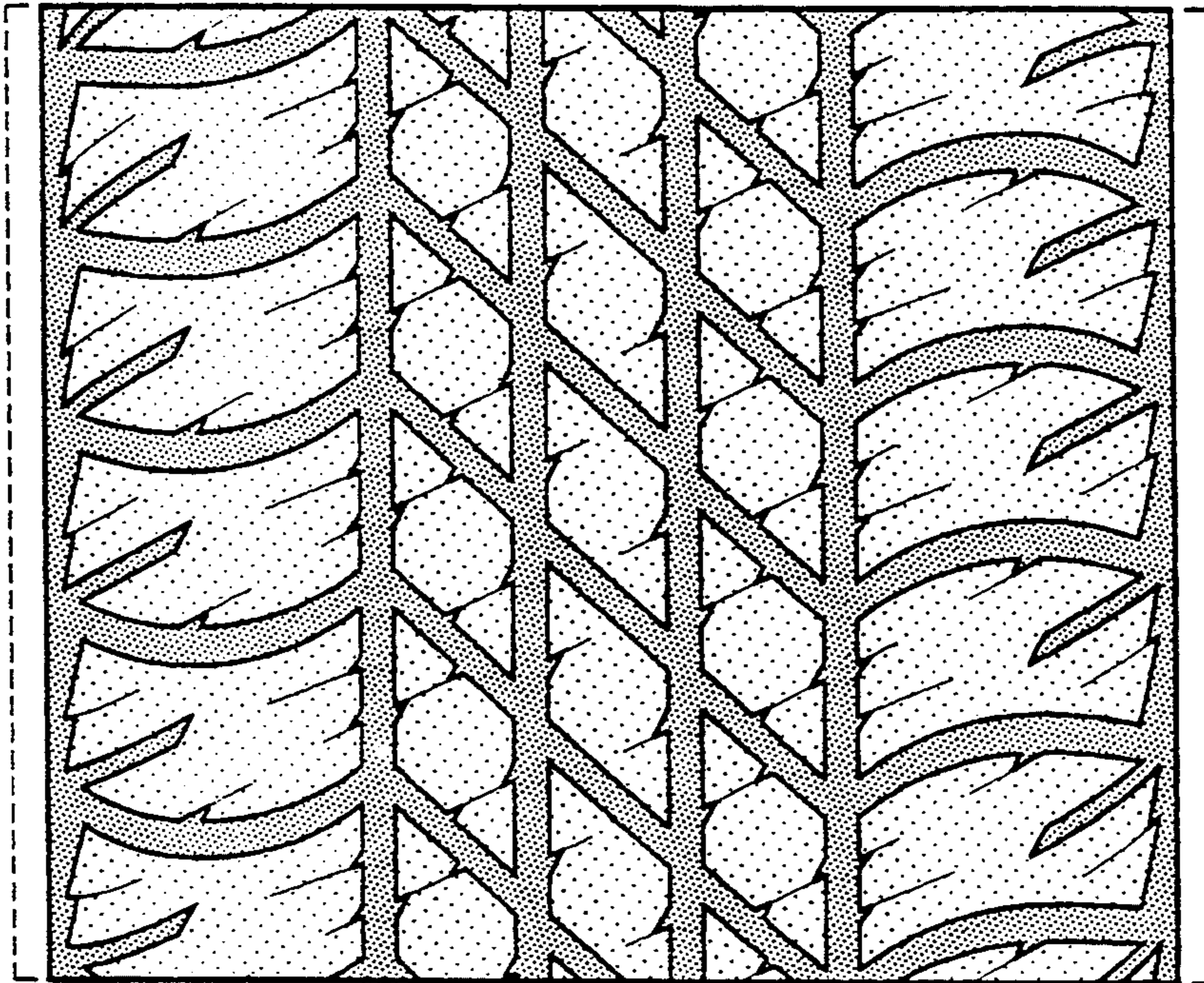


FIG-4