



US00D353566S

# United States Patent [19]

[11] Patent Number: **Des. 353,566**

Chow et al.

[45] Date of Patent: **\*\* Dec. 20, 1994**

[54] WALKER

[75] Inventors: **Chi K. W. Chow, Shatin; Frederick L. T. Tsang, Sai Ying Pun, both of Hong Kong**

[73] Assignee: **Video Technology Industries, Inc., Wheeling, Ill.**

[\*\*] Term: **14 Years**

[21] Appl. No.: **10,661**

[22] Filed: **Jul. 14, 1993**

[52] U.S. Cl. .... **D12/130; D21/78; D21/59**

[58] Field of Search ..... **280/755, 87.051, 87.02; 135/67; 482/68; 297/5, 6; D12/130, 128, 129; D21/78, 59**

[56] **References Cited**

**U.S. PATENT DOCUMENTS**

D. 268,405	3/1983	Hanses et al. ....	D12/130
D. 321,216	10/1991	Pape et al. ....	D21/59
2,545,336	3/1951	Binder .....	280/36
2,884,046	4/1959	Patrick .....	155/22
4,946,158	8/1990	Olayan et al. ....	272/70.3
5,013,032	5/1991	Baum et al. ....	272/70.3
5,154,658	10/1992	Marcus .....	446/411

**FOREIGN PATENT DOCUMENTS**

313408 4/1989 European Pat. Off. .... 482/68

*Primary Examiner*—Kay H. Chin  
*Attorney, Agent, or Firm*—Dick and Harris

[57] **CLAIM**

The ornamental design for a walker, as shown and described.

**DESCRIPTION**

FIG. 1 is a reduced scale perspective view of the walker, showing our new design;  
 FIG. 2 is a reduced scale perspective view thereof showing the center element removed from the front of the walker;  
 FIG. 3 is a front elevational view thereof;  
 FIG. 4 is a rear elevational view thereof;  
 FIG. 5 is a top plan view thereof;  
 FIG. 6 is a bottom plan view thereof;  
 FIG. 7 is an elevational view of one side thereof the other side being a mirror image;  
 FIG. 8 is a perspective view of the walker in the collapsed orientation;  
 FIG. 9 is a front elevational view thereof;  
 FIG. 10 is a rear elevational view thereof;  
 FIG. 11 is an elevational view of one side thereof the other side being a mirror image;  
 FIG. 12 is a top plan view thereof; and,  
 FIG. 13 is a bottom plan view thereof.

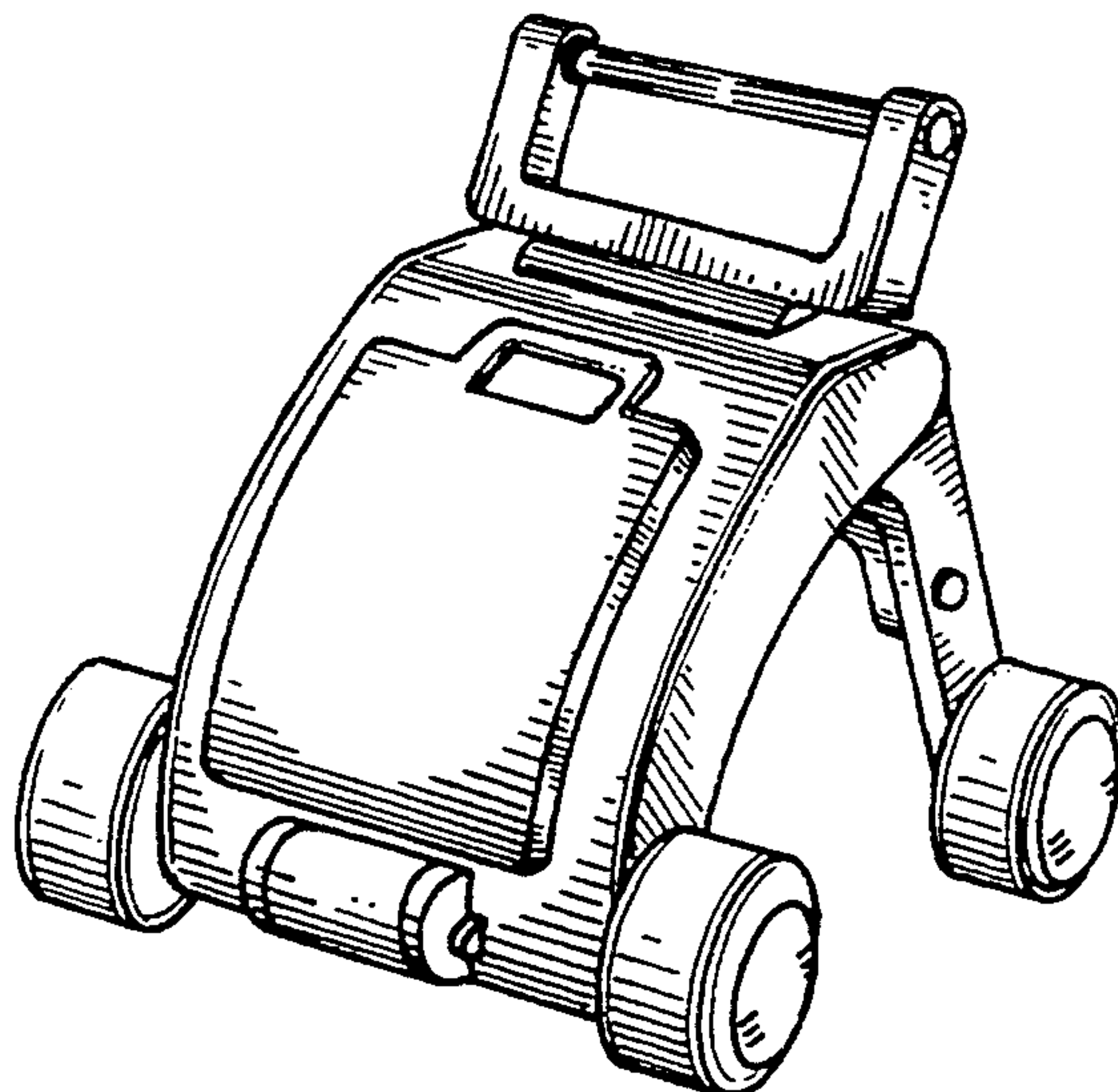


Fig 1

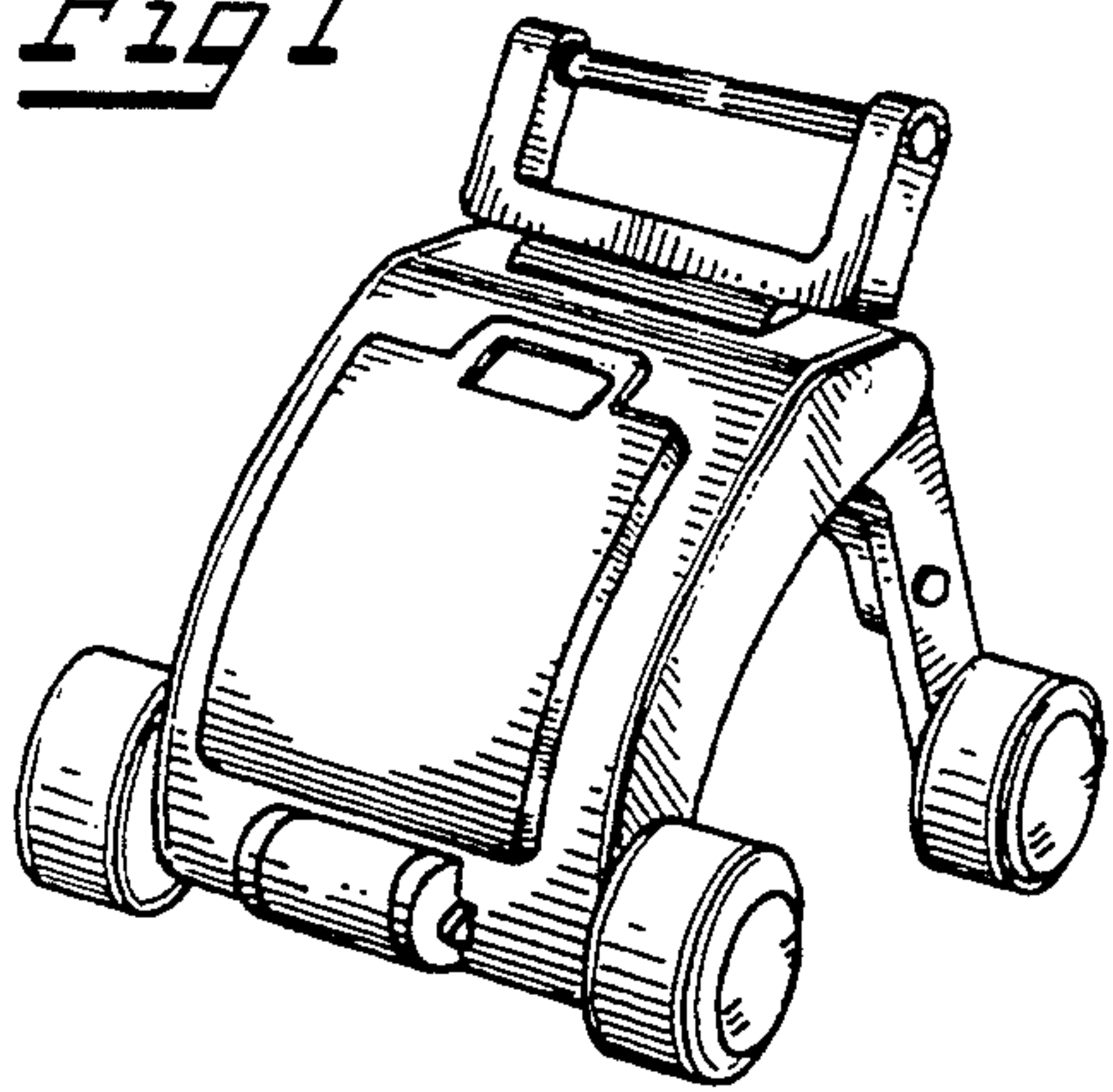


Fig 2

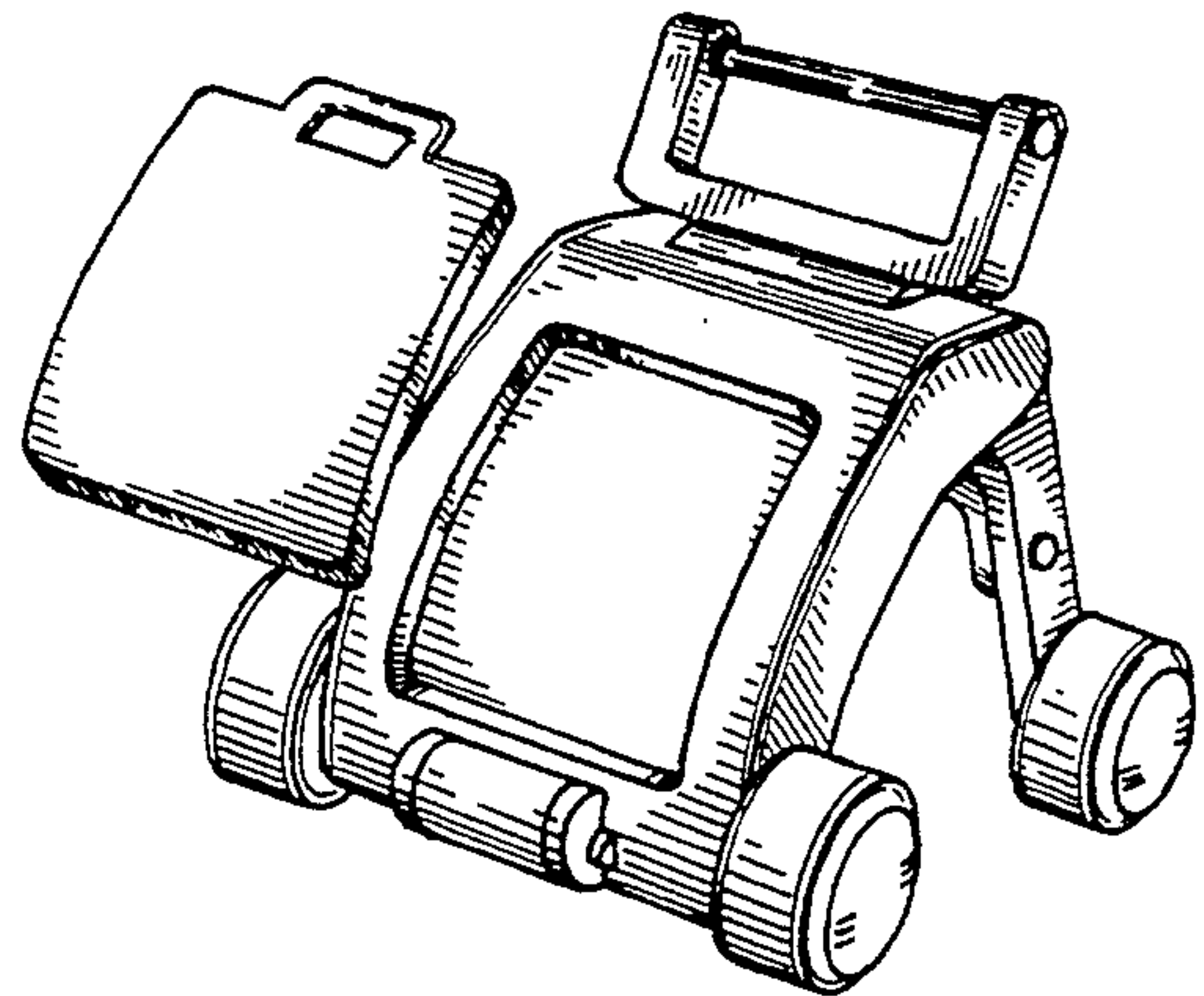


Fig 3

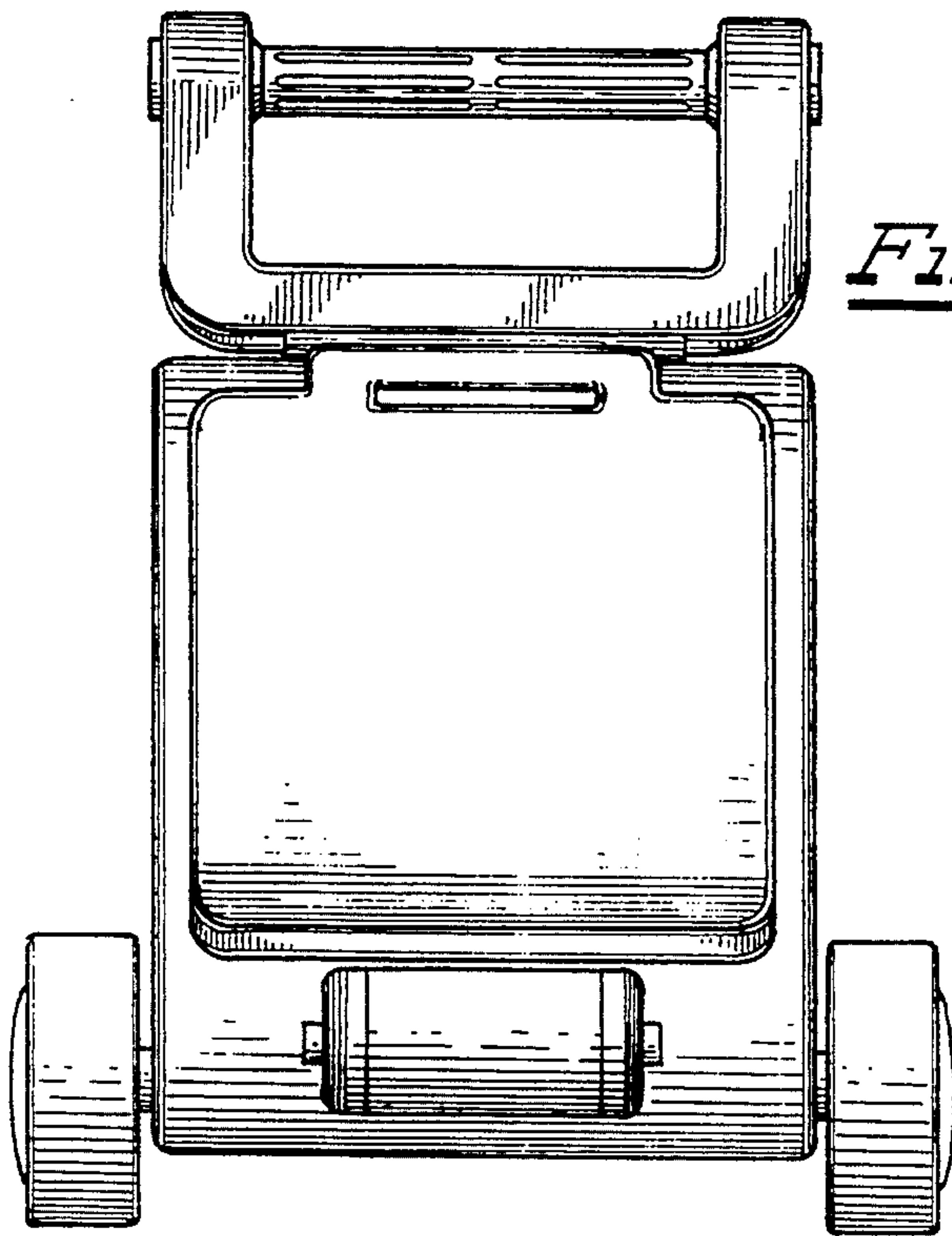
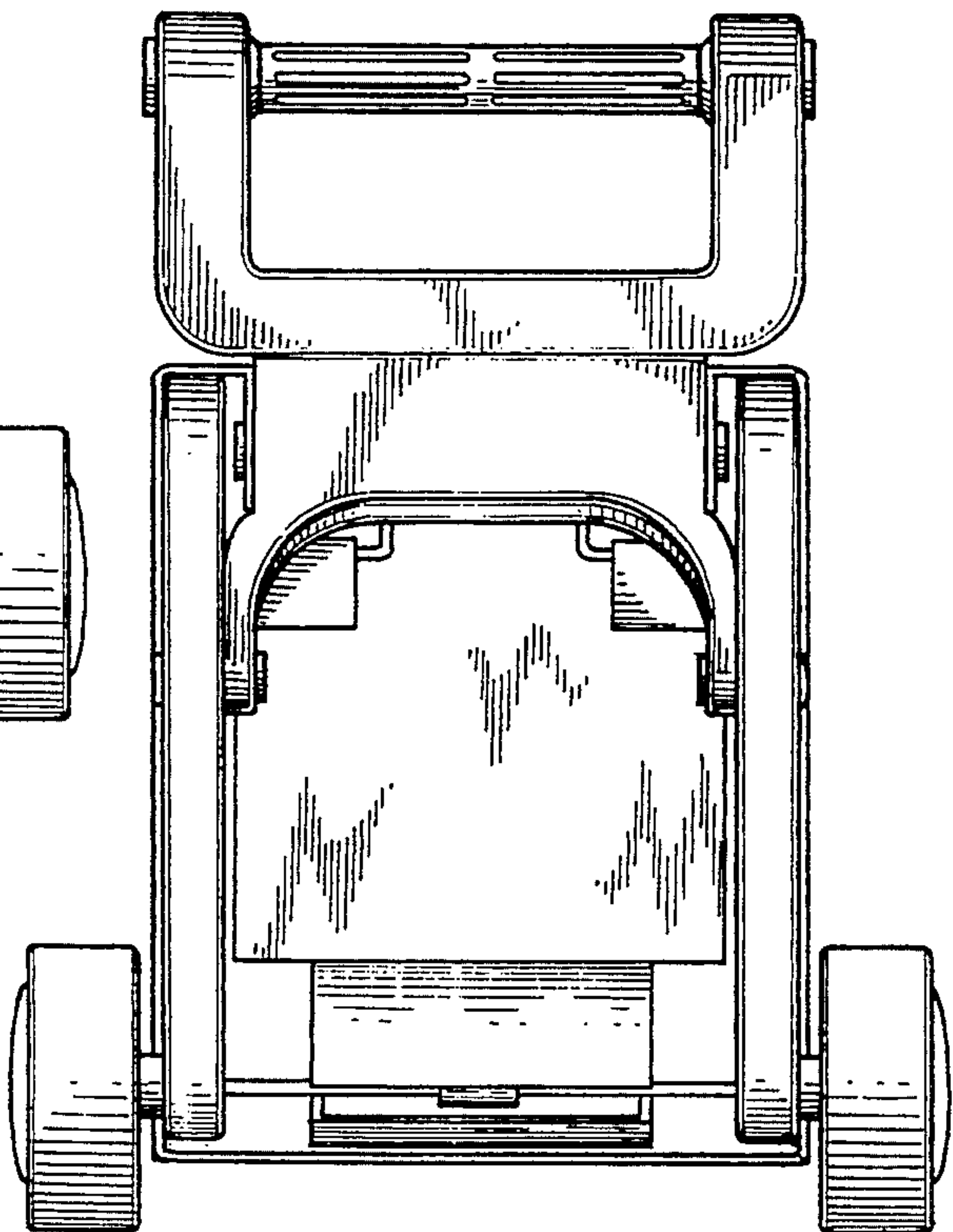


Fig 4



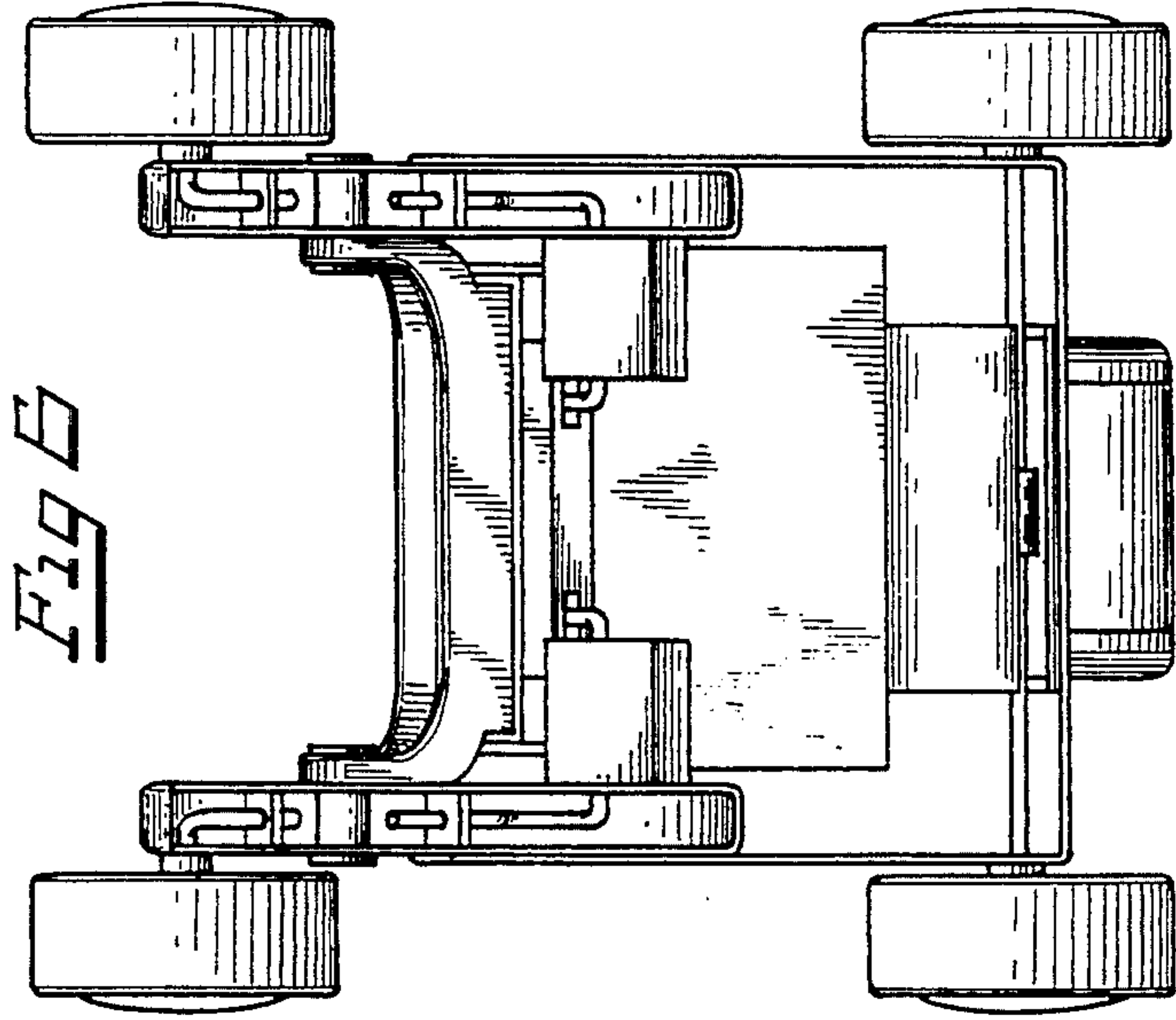


FIG 6

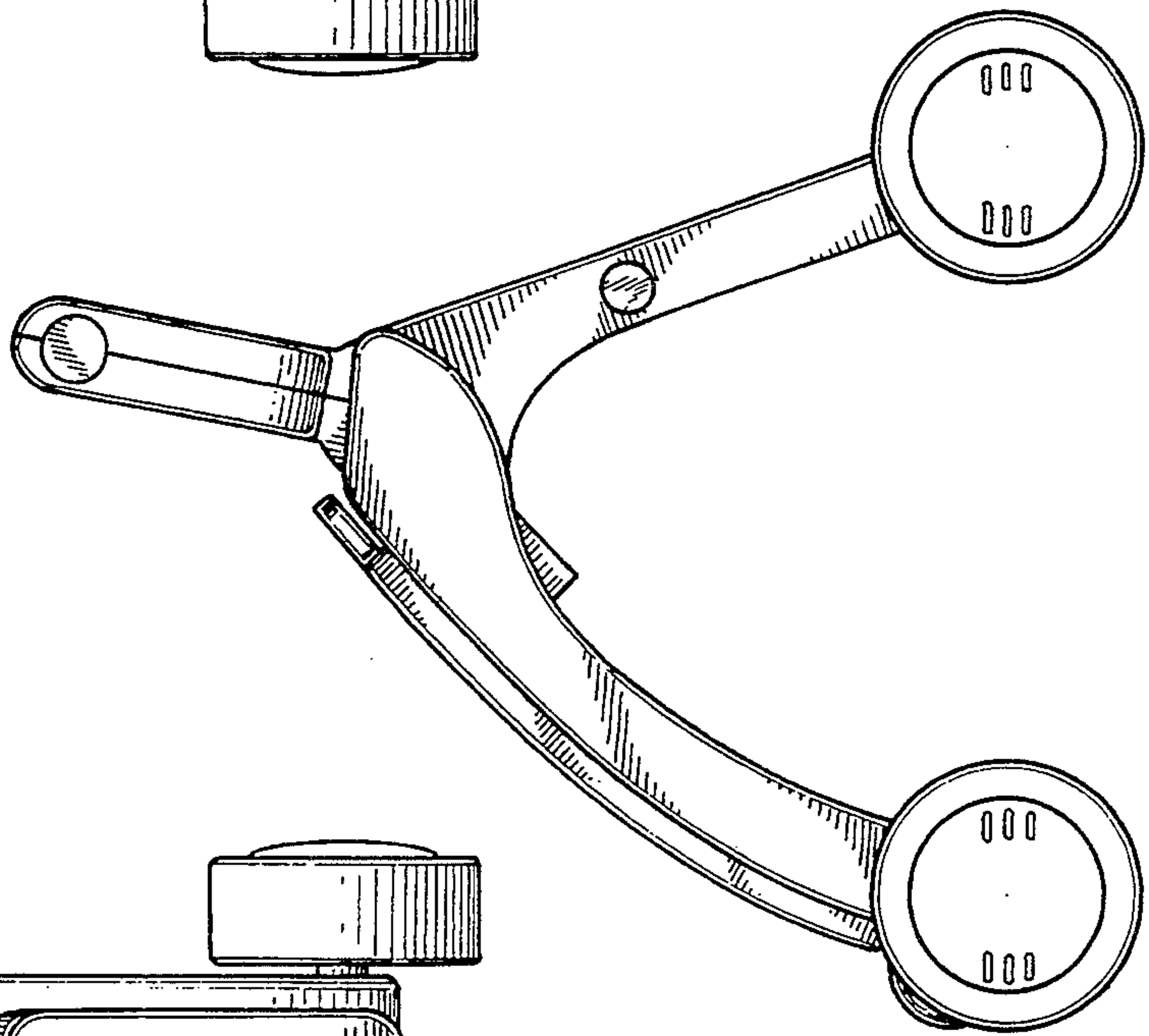


FIG 7

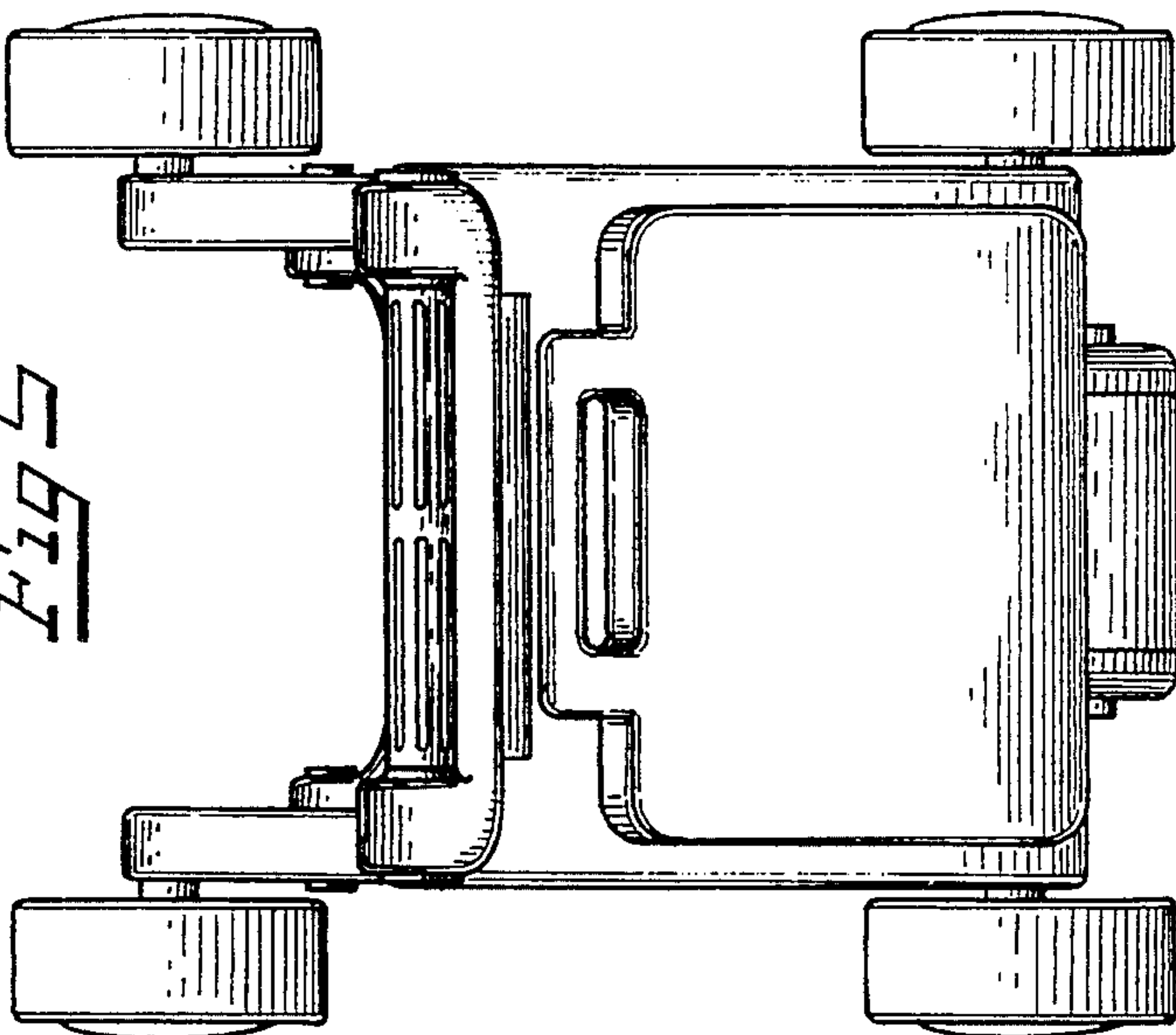
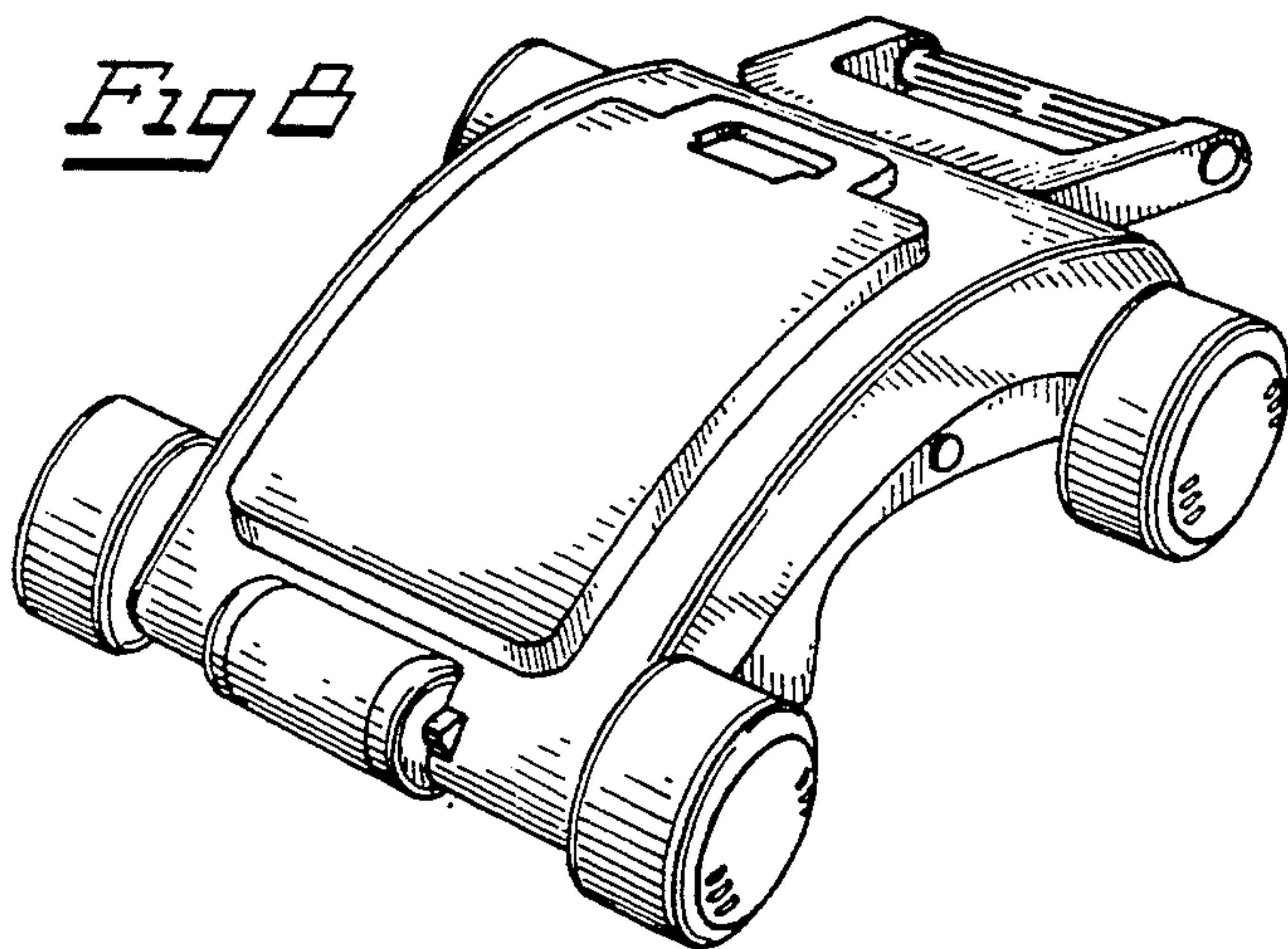


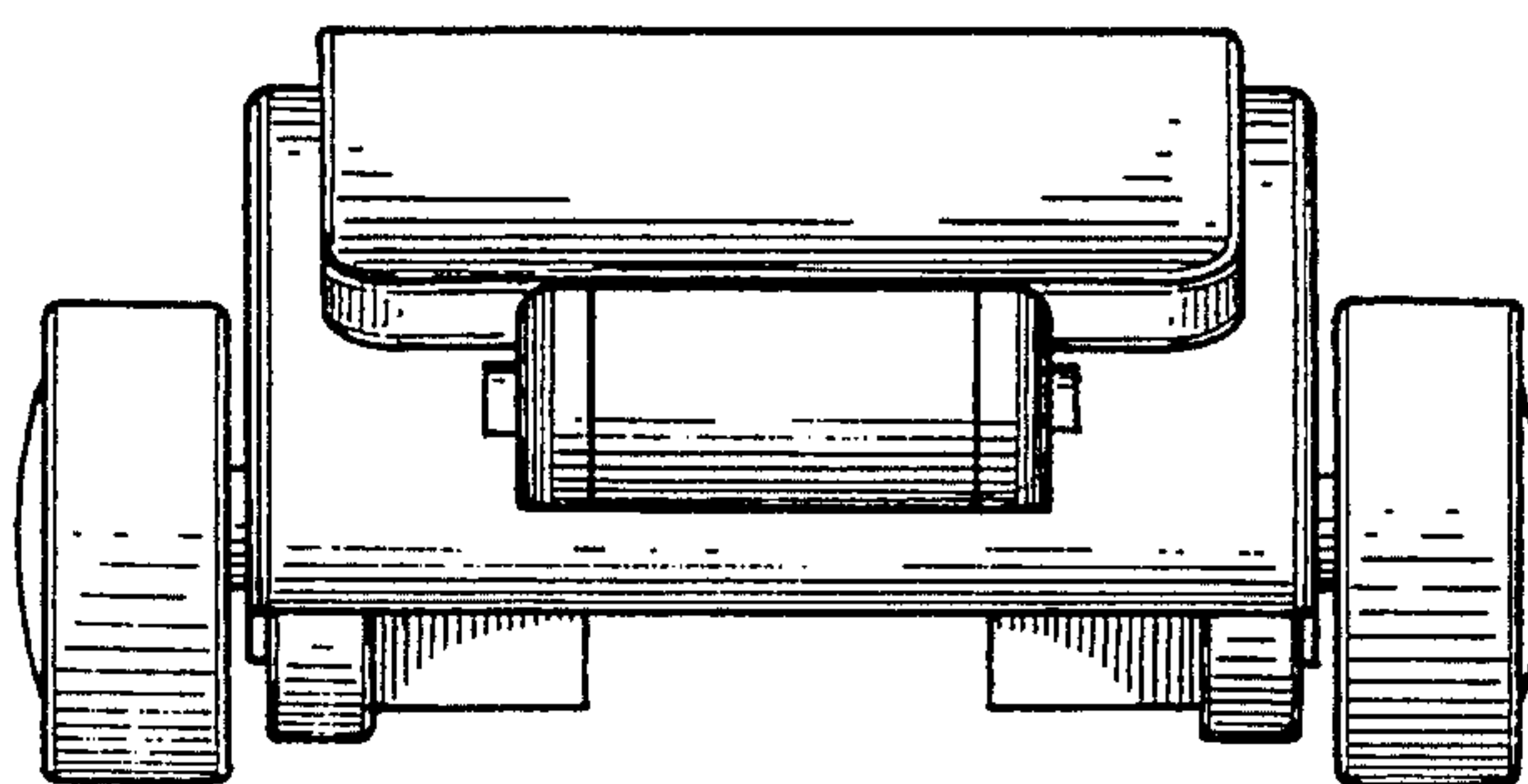
FIG 5



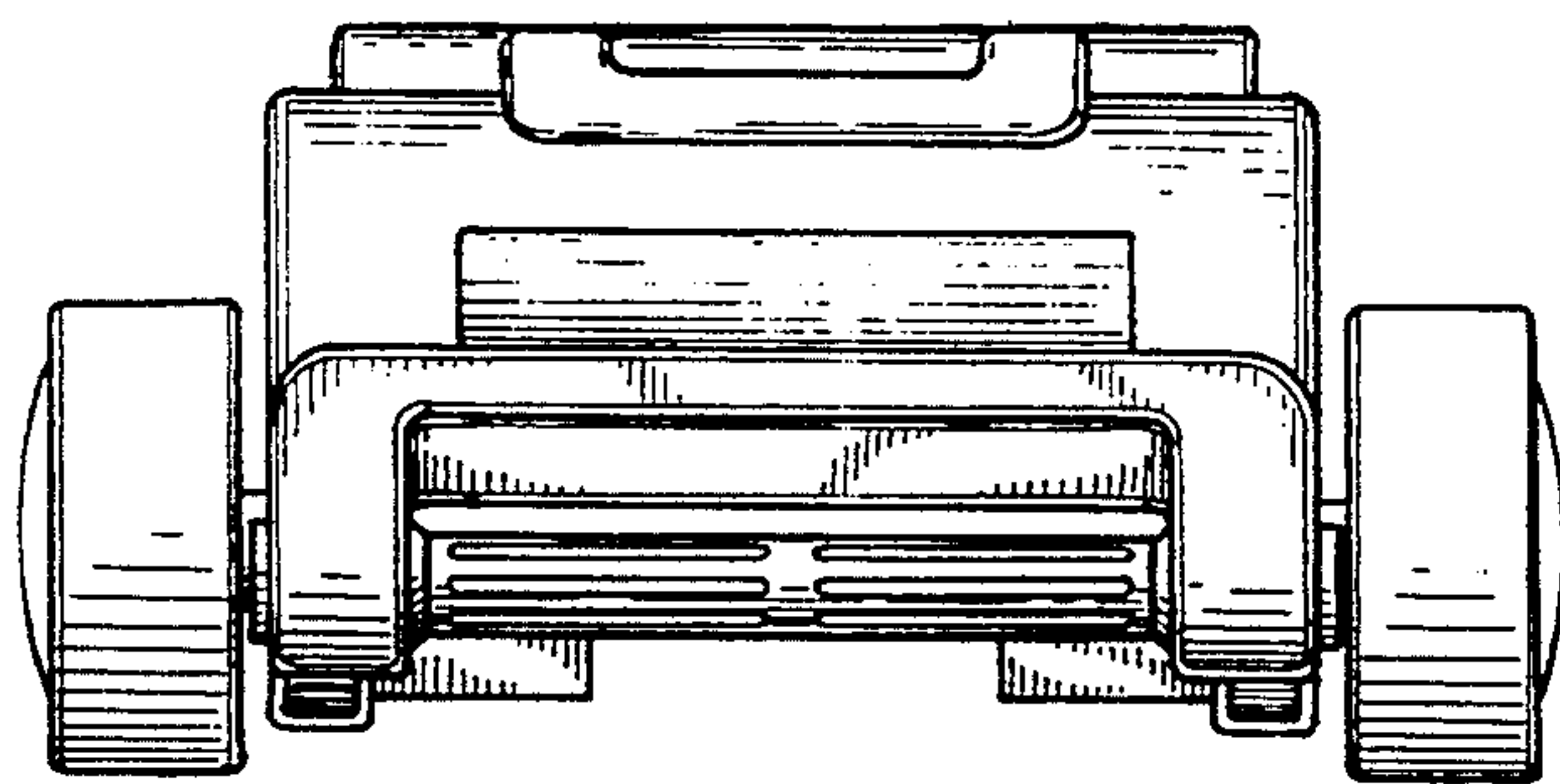
*Fig 8*



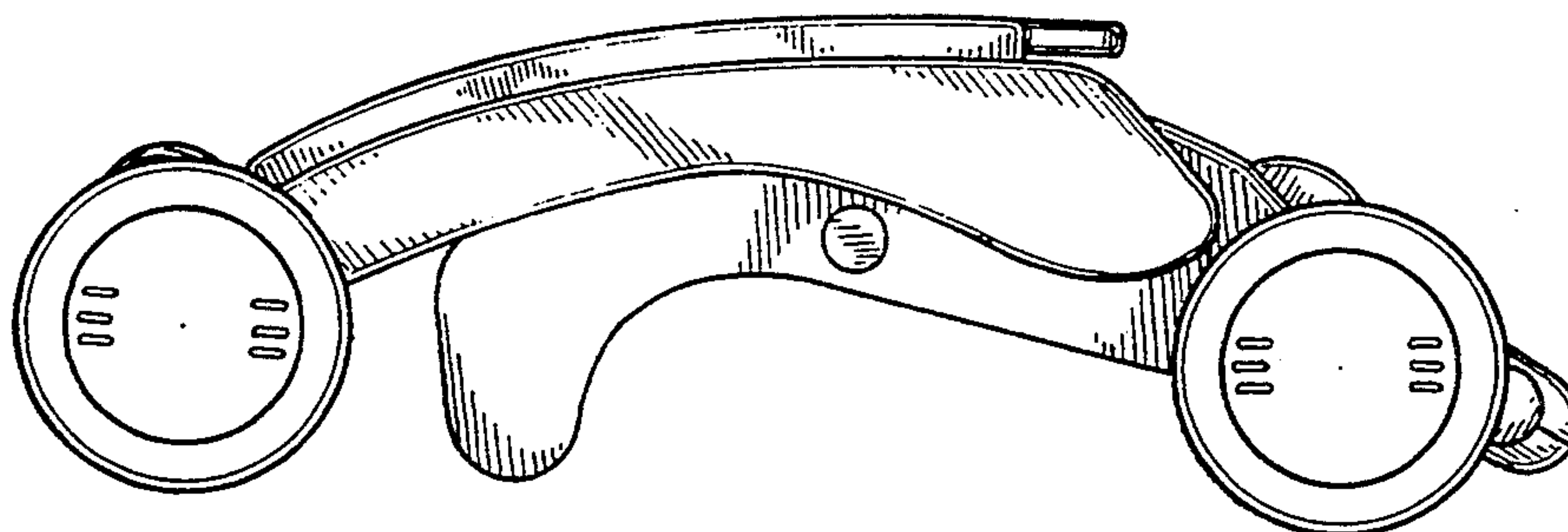
*Fig 9*

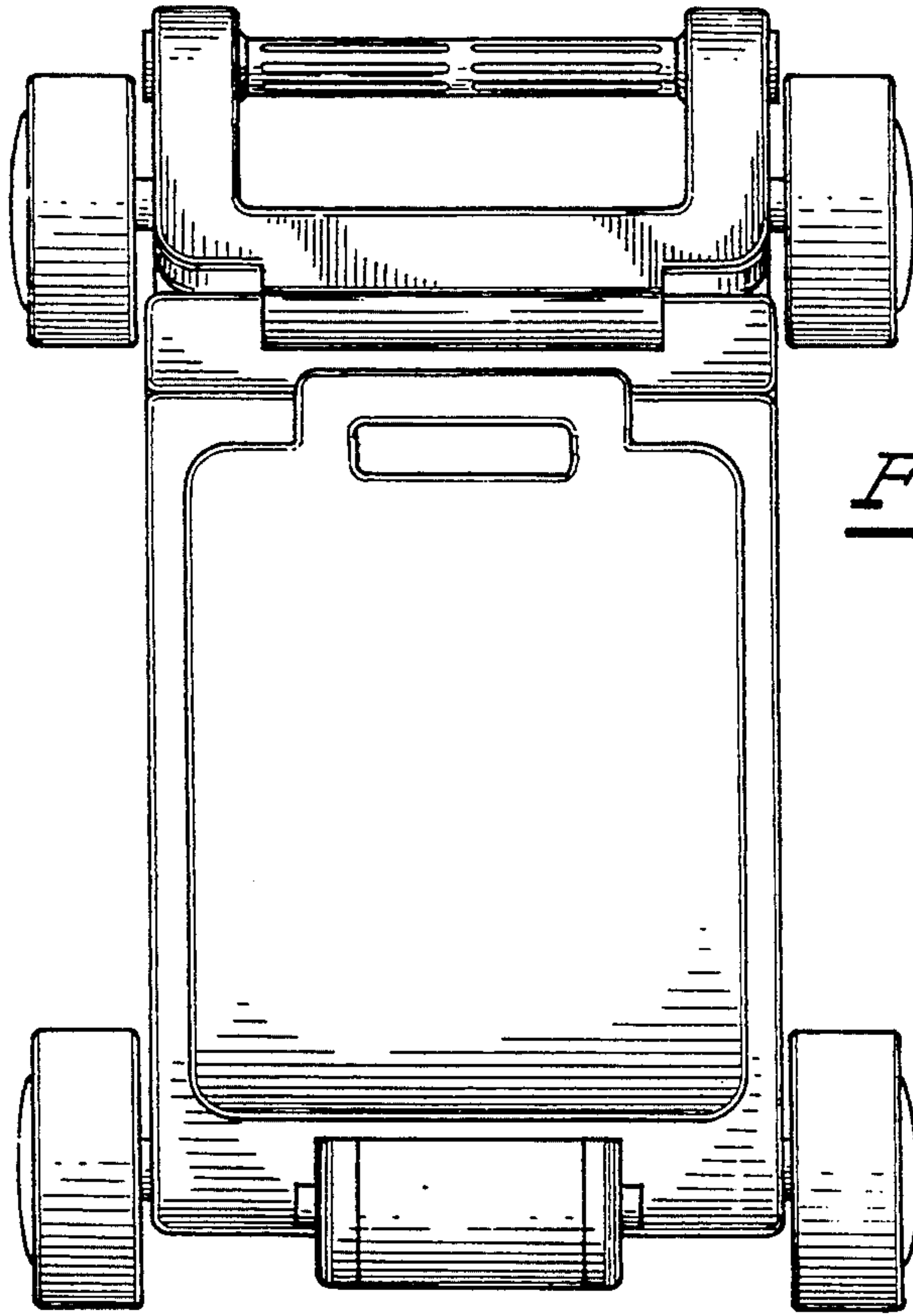


*Fig 10*

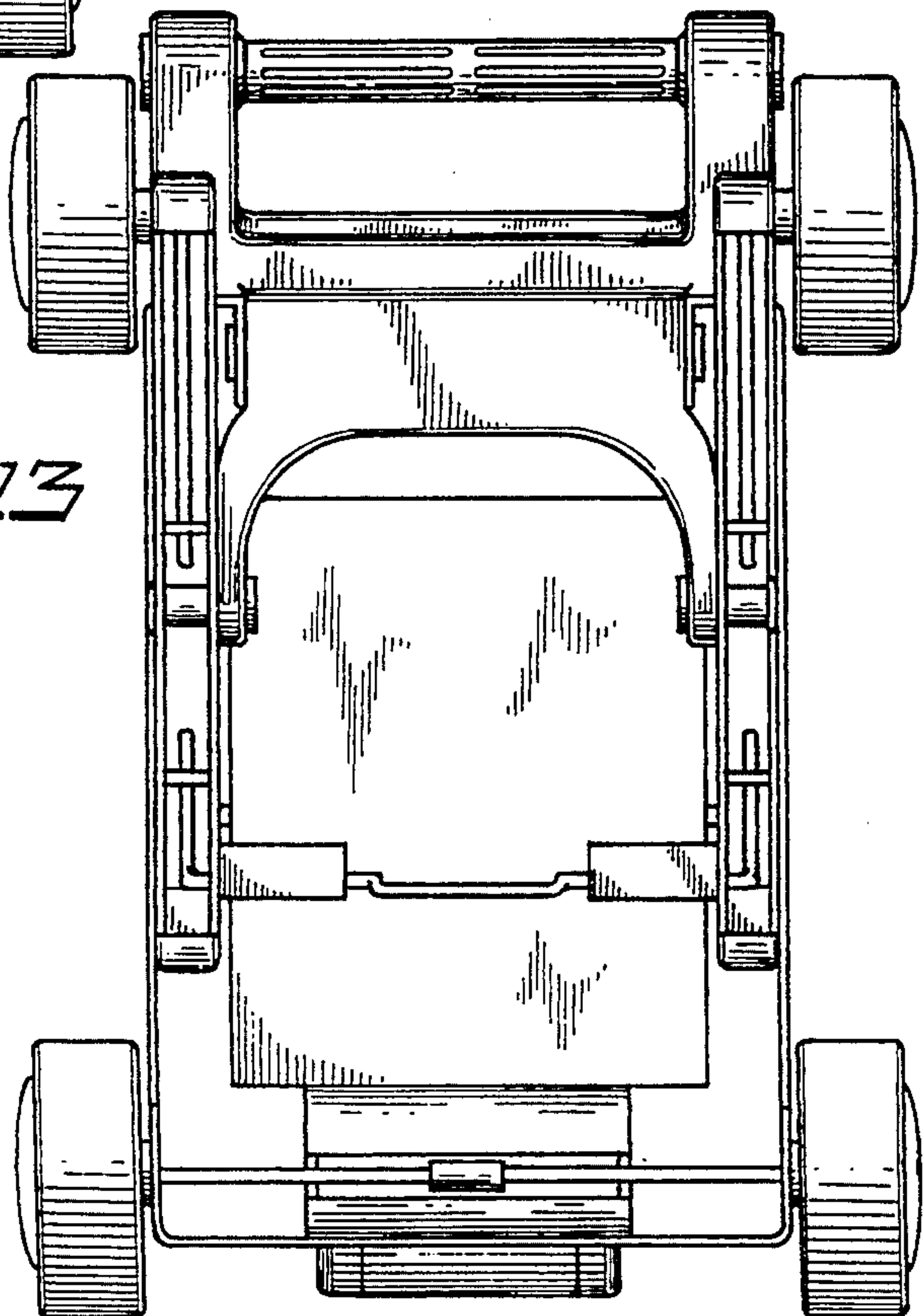


*Fig 11*





*Fig 12*



*Fig 13*