



US00D353562S

United States Patent [19]

[11] Patent Number: **Des. 353,562**

Ewers

[45] Date of Patent: **** Dec. 20, 1994**

[54] **TOP MOUNT VALVE CONTROL ARM FOR A FIRETRUCK PUMP VALVE**

Assistant Examiner—Eric Watterson

[75] Inventor: **Ronald L. Ewers, Ocala, Fla.**

[57] **CLAIM**

[73] Assignee: **Class 1, Inc., Ocala, Fla.**

The ornamental design for a top mount valve control arm for a firetruck pump valves, as shown and described.

[**] Term: **14 Years**

DESCRIPTION

[21] Appl. No.: **10,314**

FIG. 1 is a perspective view of the top mount valve control arm for a firetruck pump valves illustrating a shaft having a handle at one end and a gear arrangement at the other end;

[22] Filed: **Jul. 6, 1993**

[52] U.S. Cl. **D12/13**

[58] Field of Search **D8/303, 88, DIG. 1, D8/DIG. 10; 293/DIG. 1; 414/920; 251/281, 284; 169/21, 24, 51; 16/111 R, 115; 74/469, 498, 519, 543; D23/249; D15/10, 11, 17, 18, 28, 138, 140, 142; D12/174, 179, 177, 400, 13**

FIG. 2 is a side elevation view of the top mount valve control arm for a firetruck pump valves;

FIG. 3 is a front elevation view of the top mount valve control arm for a firetruck pump valves;

[56] **References Cited**

U.S. PATENT DOCUMENTS

D. 27,036	5/1897	Alderson	D15/142
D. 213,747	4/1969	Ross	D12/179
1,256,244	2/1918	Mellin	D12/179 X
2,154,642	4/1939	Smith	169/24

FIG. 4 is a rear elevation view of the top mount valve control arm for a firetruck pump valves further illustrating the gear and handle;

FIG. 5 is a top view of the top mount valve control arm; FIG. 6 is a bottom view of the top mount valve control arm; and,

FIG. 7 is a side elevational view of the top mount valve control arm, the broken line showing is for illustrative purposes only and forms no part of the claimed design.

Primary Examiner—A. Hugo Word

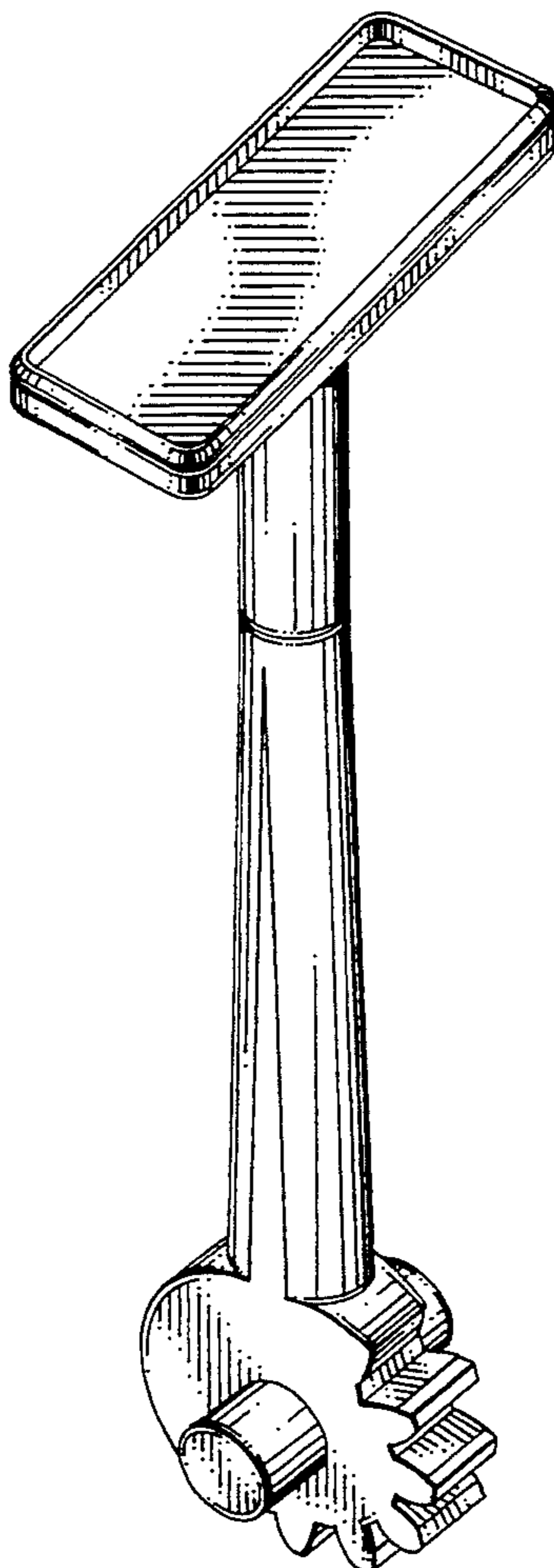


FIG. 1

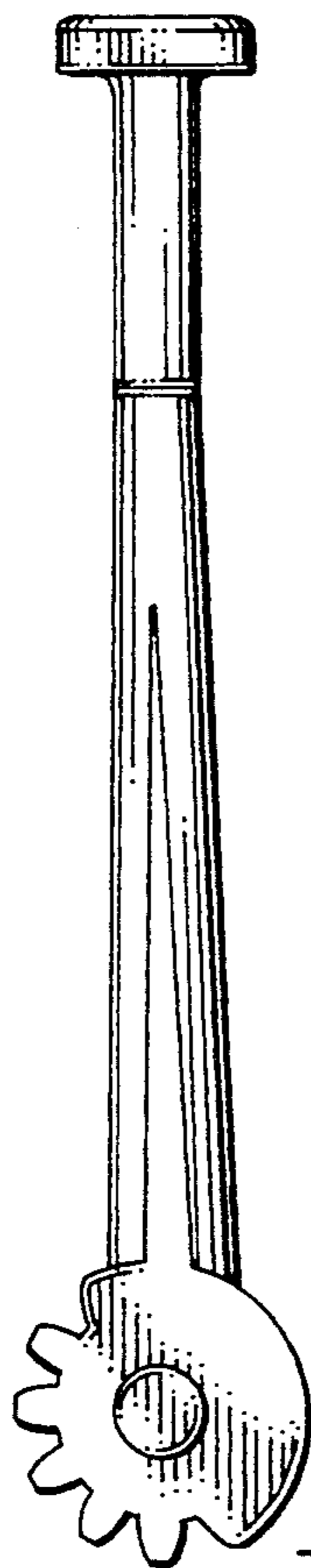
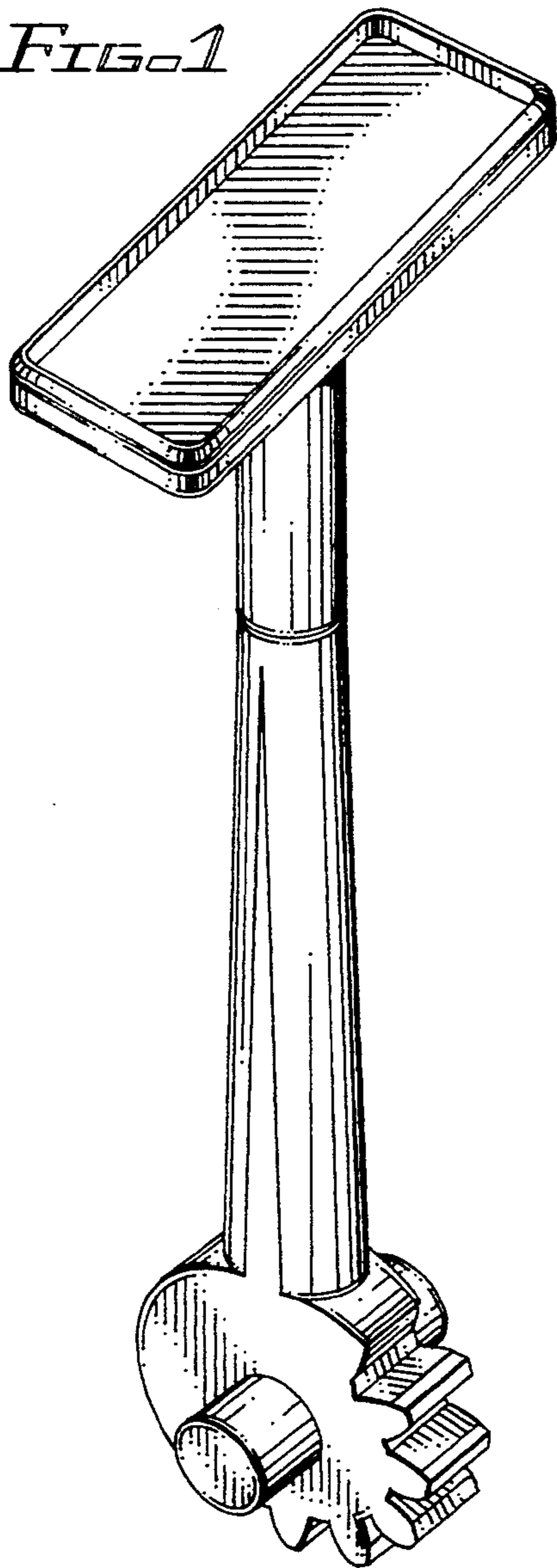


FIG. 2

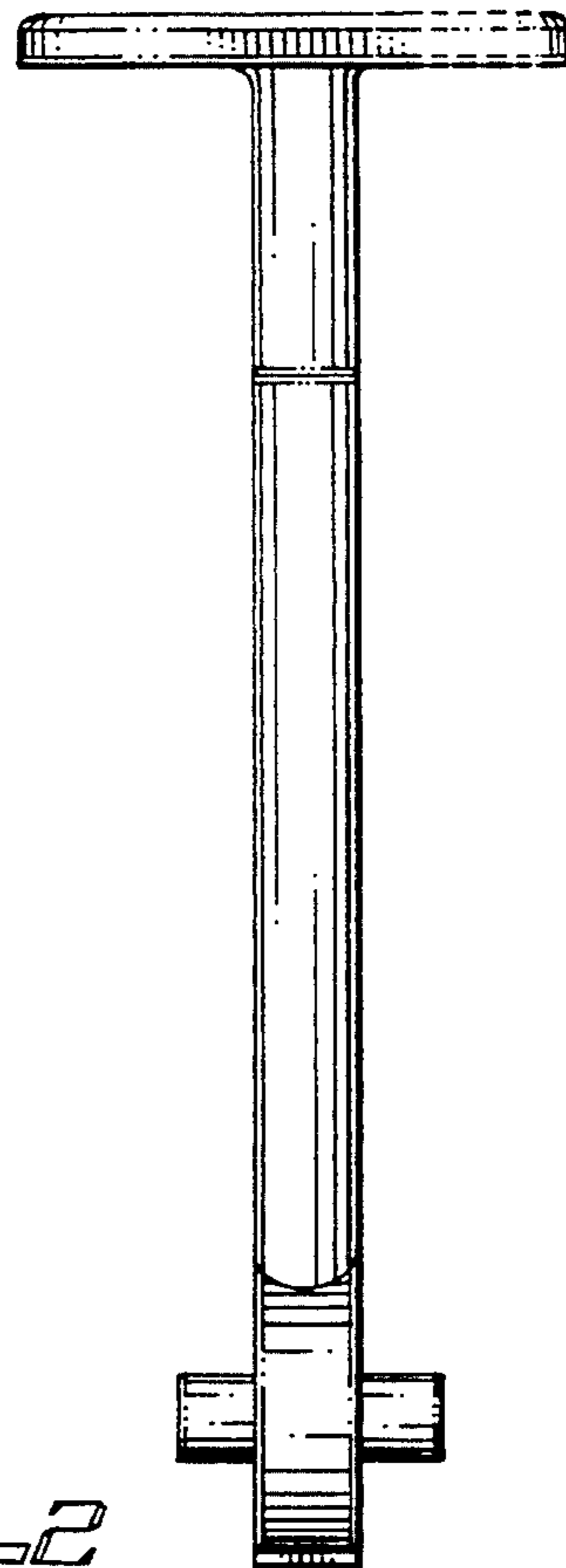


FIG. 3

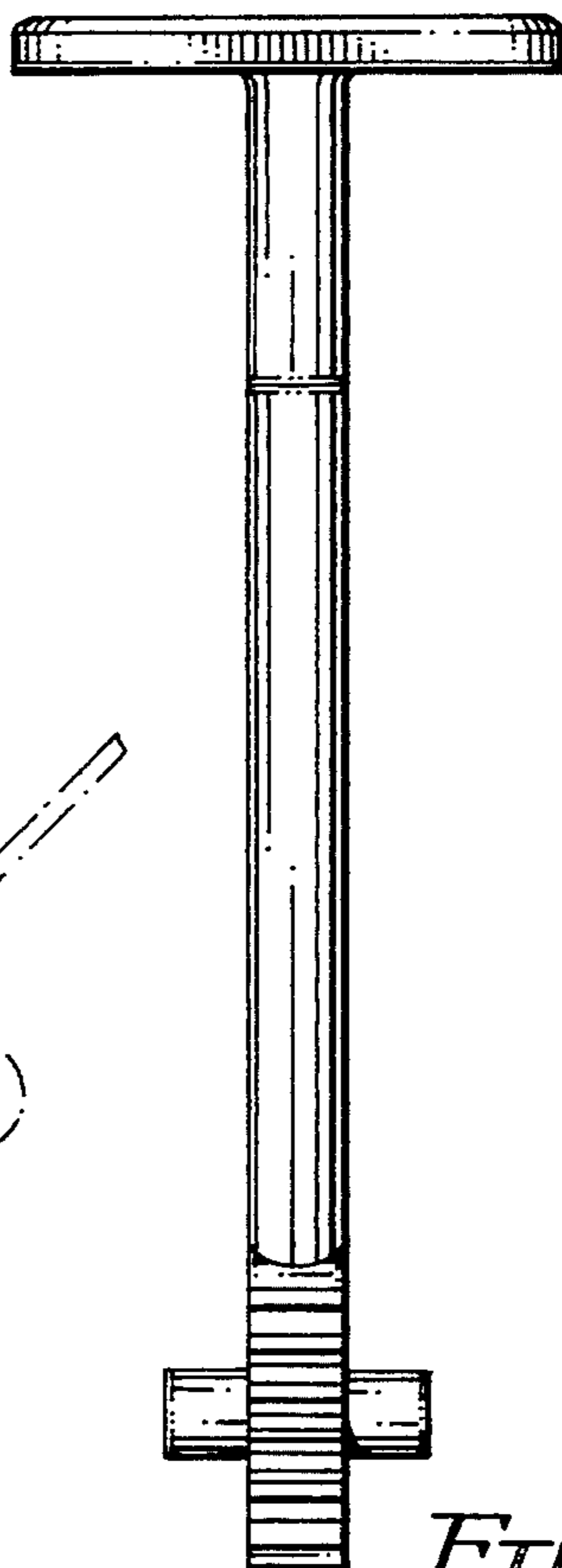


FIG. 4

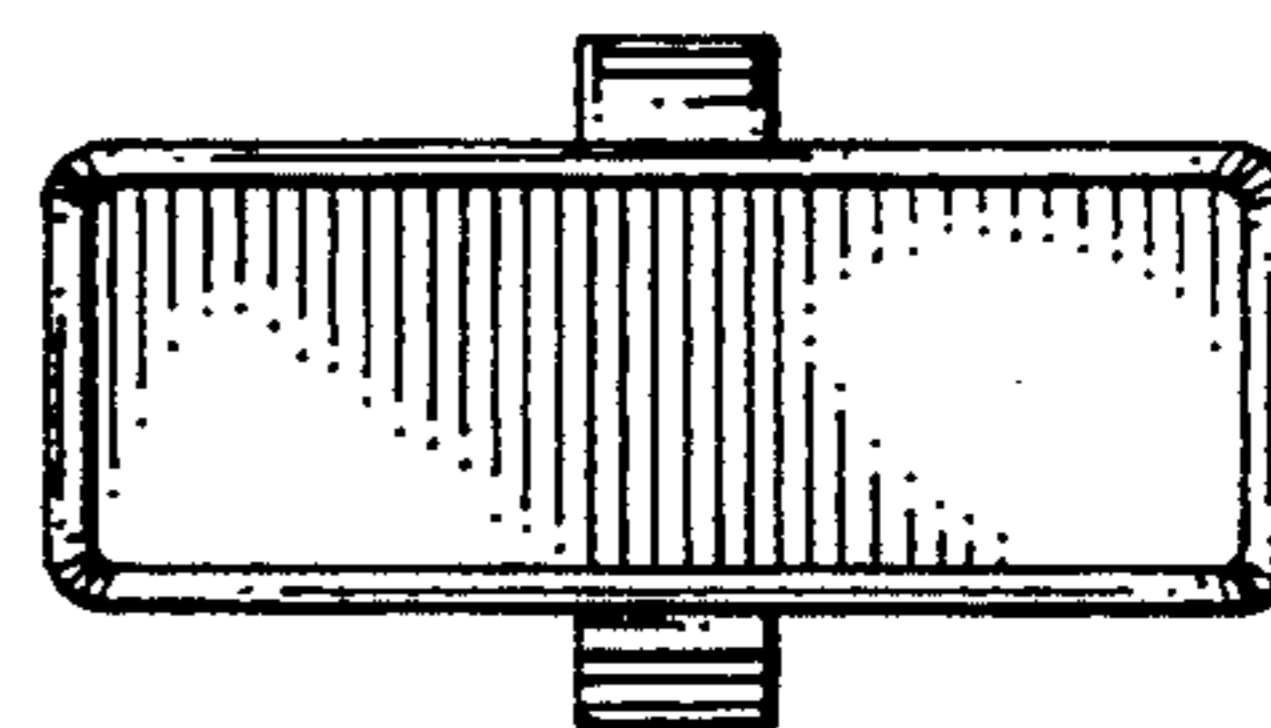


FIG. 5

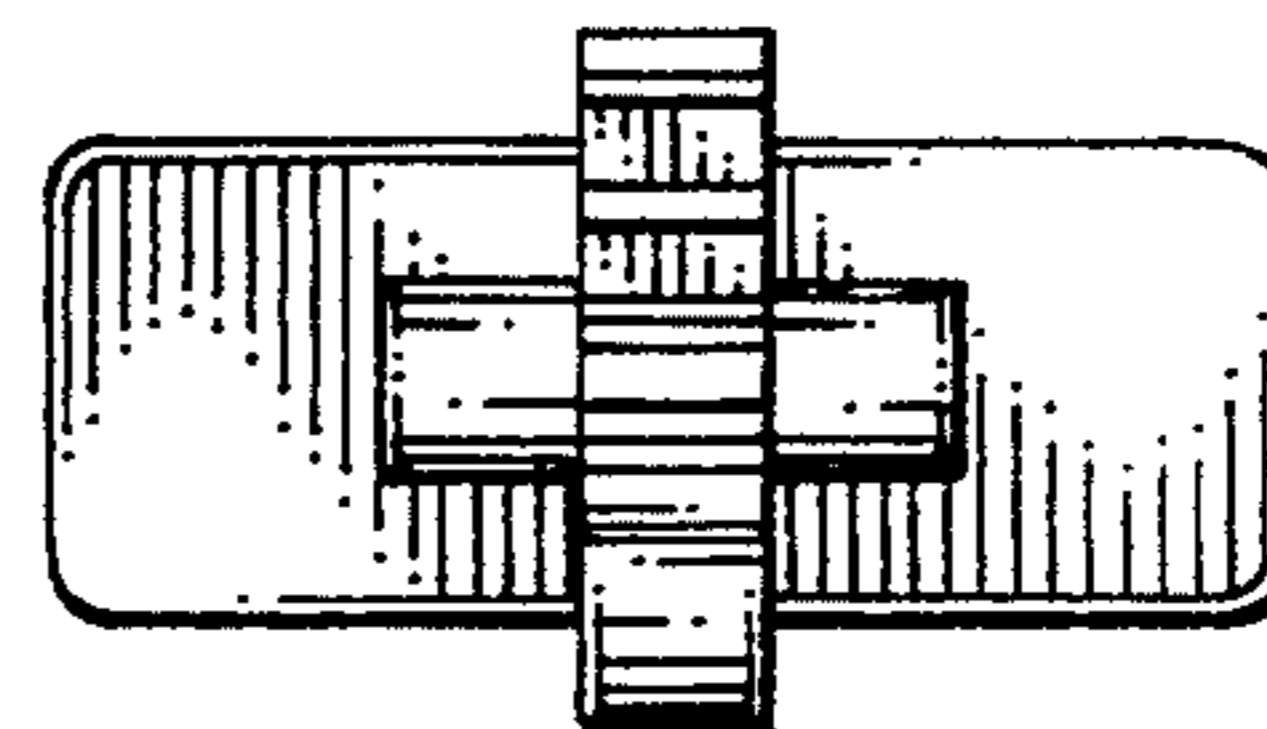


FIG. 6

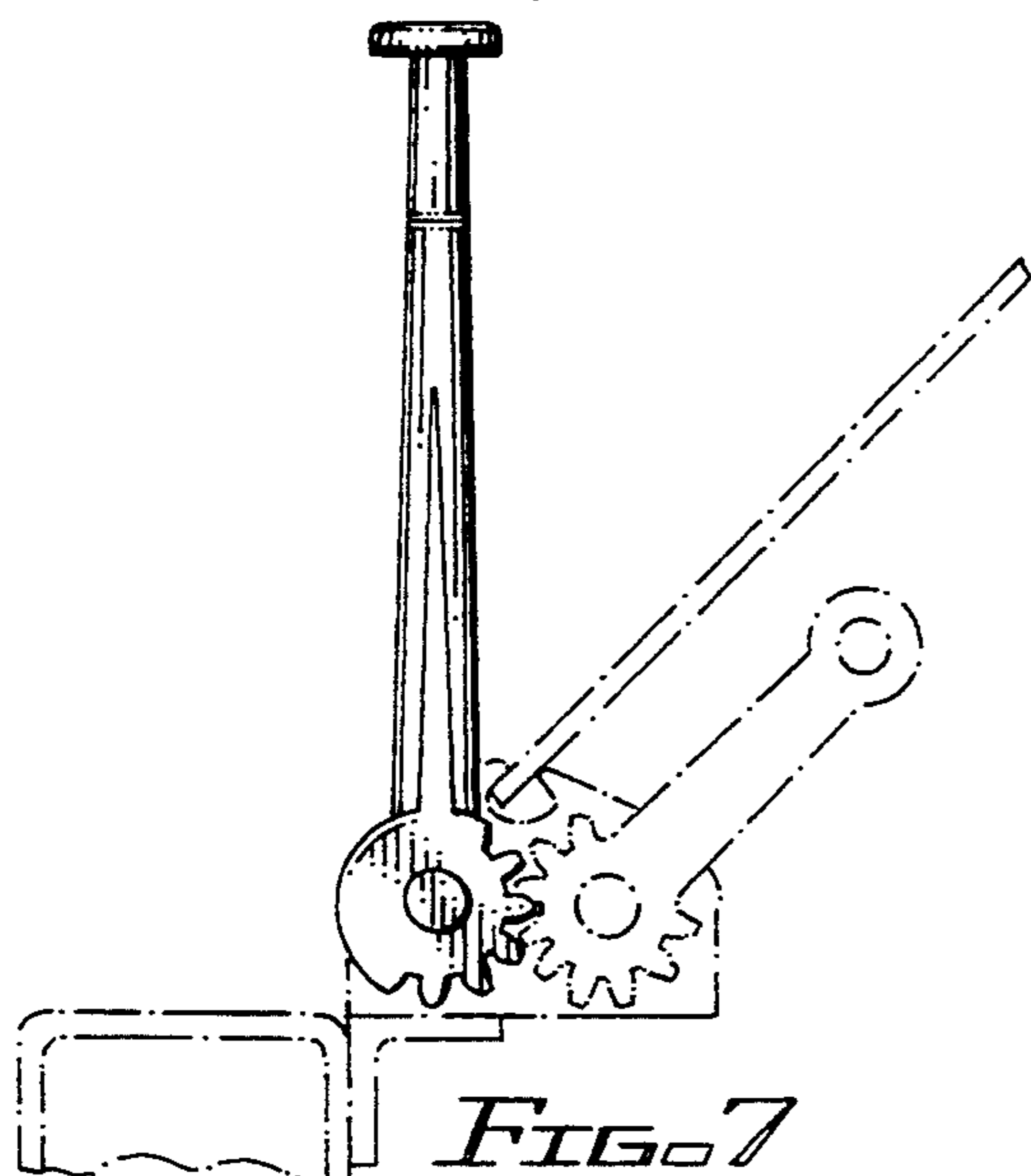


FIG. 7