



US00D353561S

United States Patent [19]

[11] Patent Number: **Des. 353,561**

Bedro

[45] Date of Patent: **** Dec. 20, 1994**

[54] SINGLE RUNNER SLED

4,722,539 2/1988 Molinaro D12/10
4,865,572 9/1989 Andes 280/14.1

[76] Inventor: **George Bedro, 32864 McKenzie Dr., Westland, Mich. 48145**

Primary Examiner—Wallace R. Burke
Assistant Examiner—M. N. Brown
Attorney, Agent, or Firm—Terry M. Gernstein

[**] Term: **14 Years**

[21] Appl. No.: **11,188**

[57] **CLAIM**

[22] Filed: **Jul. 29, 1993**

The ornamental design for a single runner sled, as shown and described.

[52] U.S. Cl. **D12/10**

[58] Field of Search 280/14.1, 17, 18, 19,
280/12; D12/6, 10, 9, 11

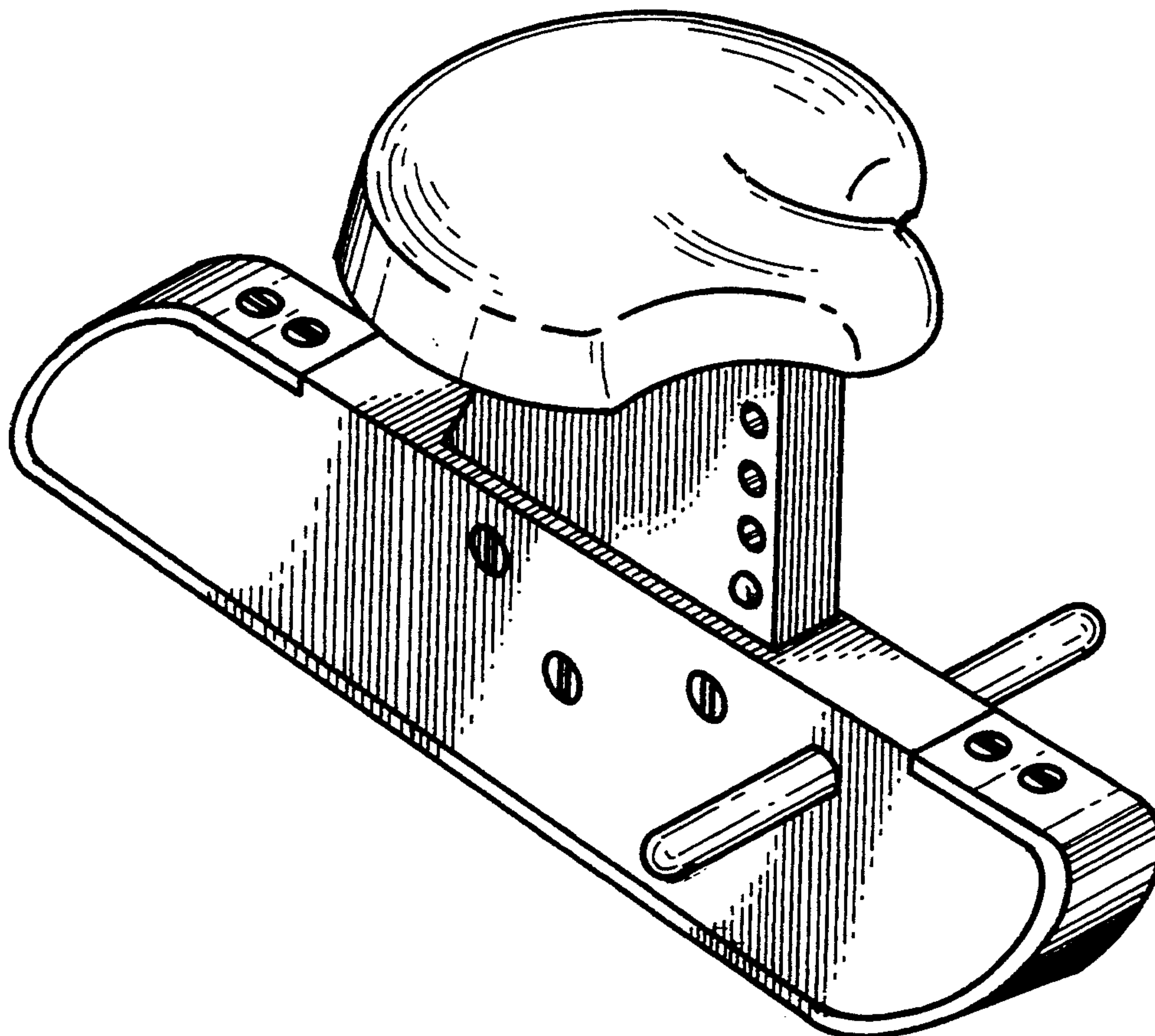
DESCRIPTION

[56] References Cited

U.S. PATENT DOCUMENTS

- D. 202,992 11/1965 Snyder D12/10
- D. 291,427 8/1987 Schaller et al. D12/10
- D. 303,416 9/1989 Strauss D12/10
- D. 318,824 8/1991 Dunbar D12/10

FIG. 1 is a front, top and side perspective view of the single runner sled showing my new design; FIG. 2 is a front elevational view thereof; FIG. 3 is a rear elevational view thereof; FIG. 4 is a side elevational view thereof, the side opposite being a mirror image of the side shown in FIG. 4; FIG. 5 is a top plan view thereof; and, FIG. 6 is a bottom plan view thereof.



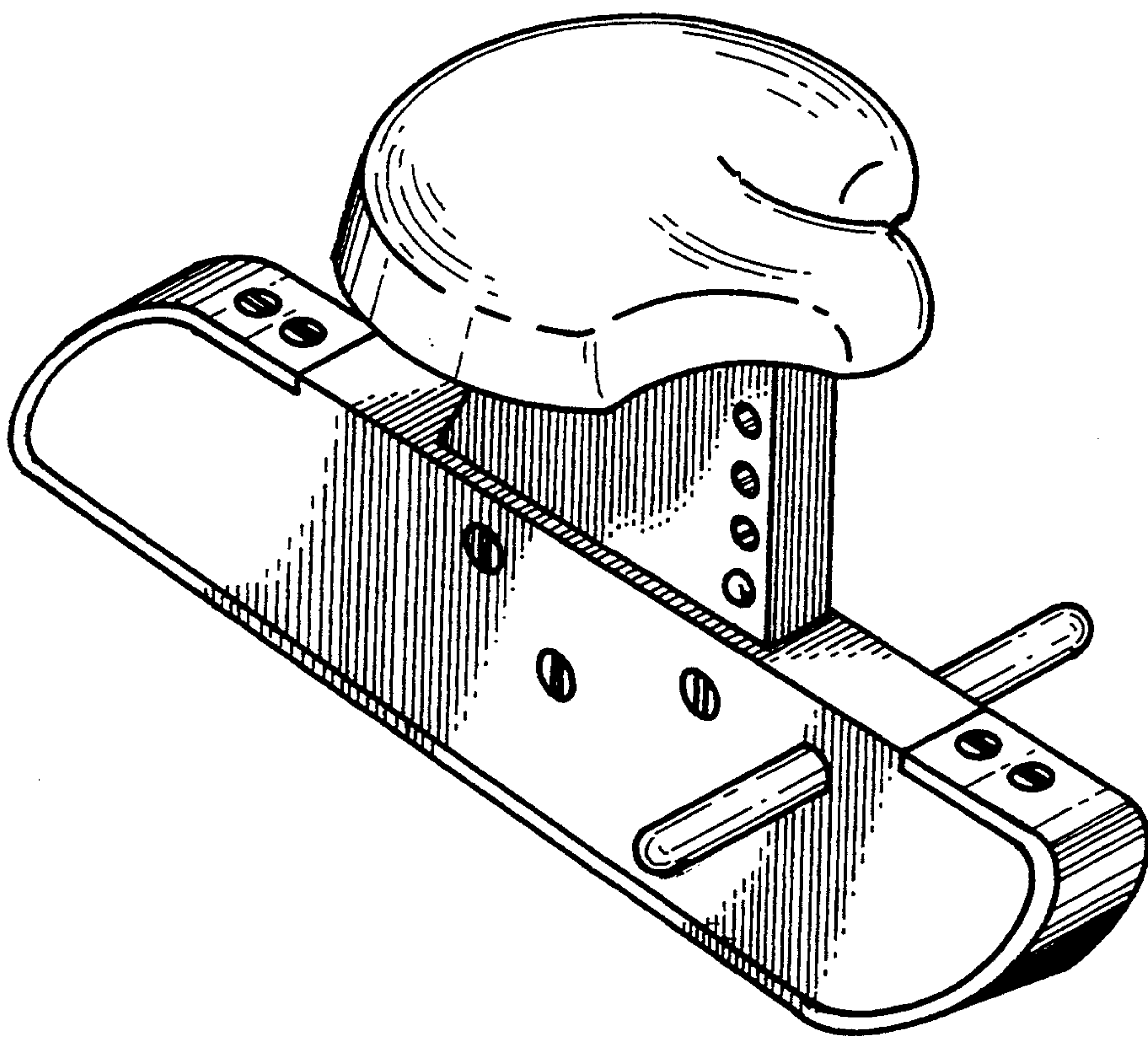


FIG. 1

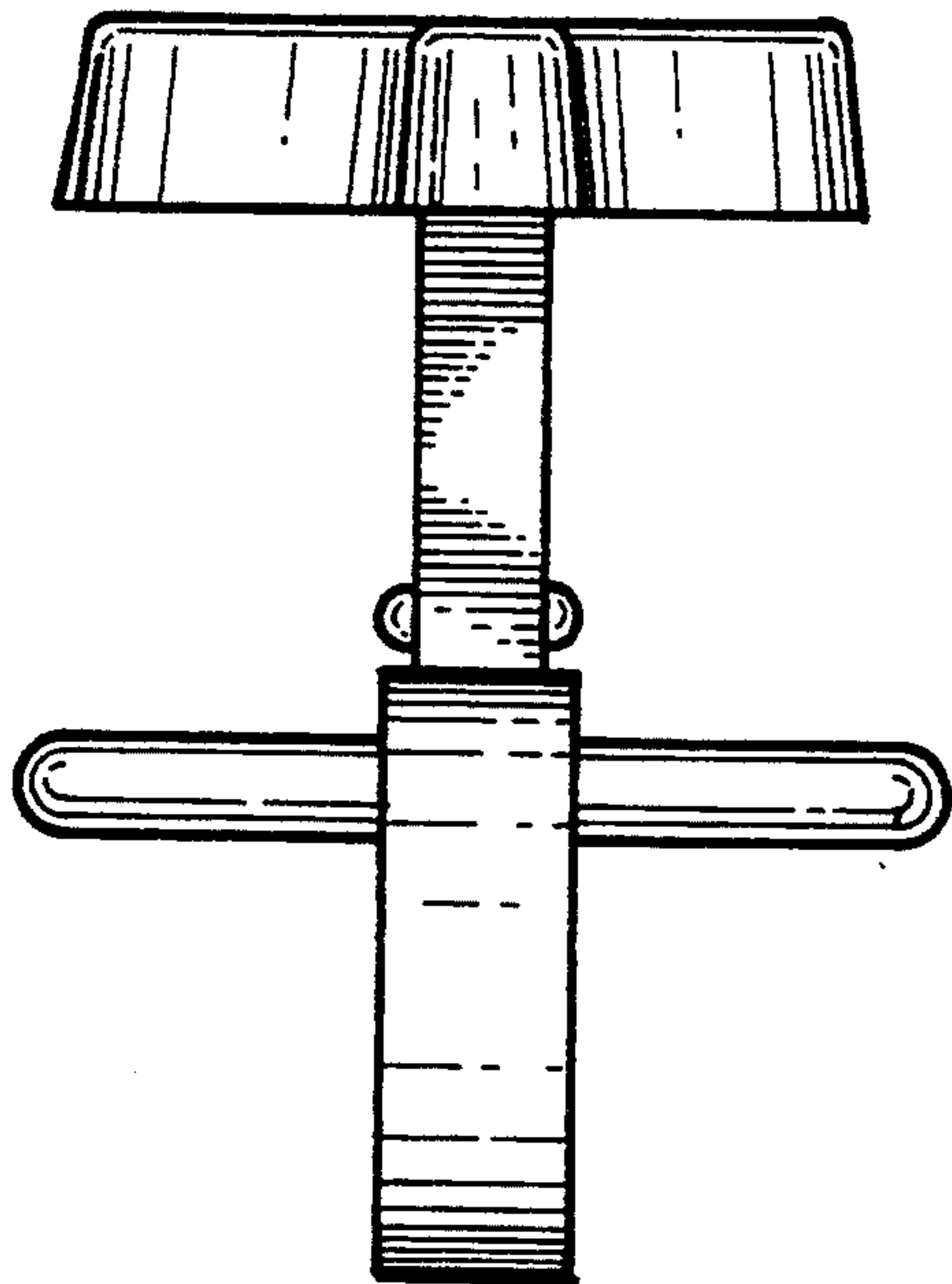


FIG. 2

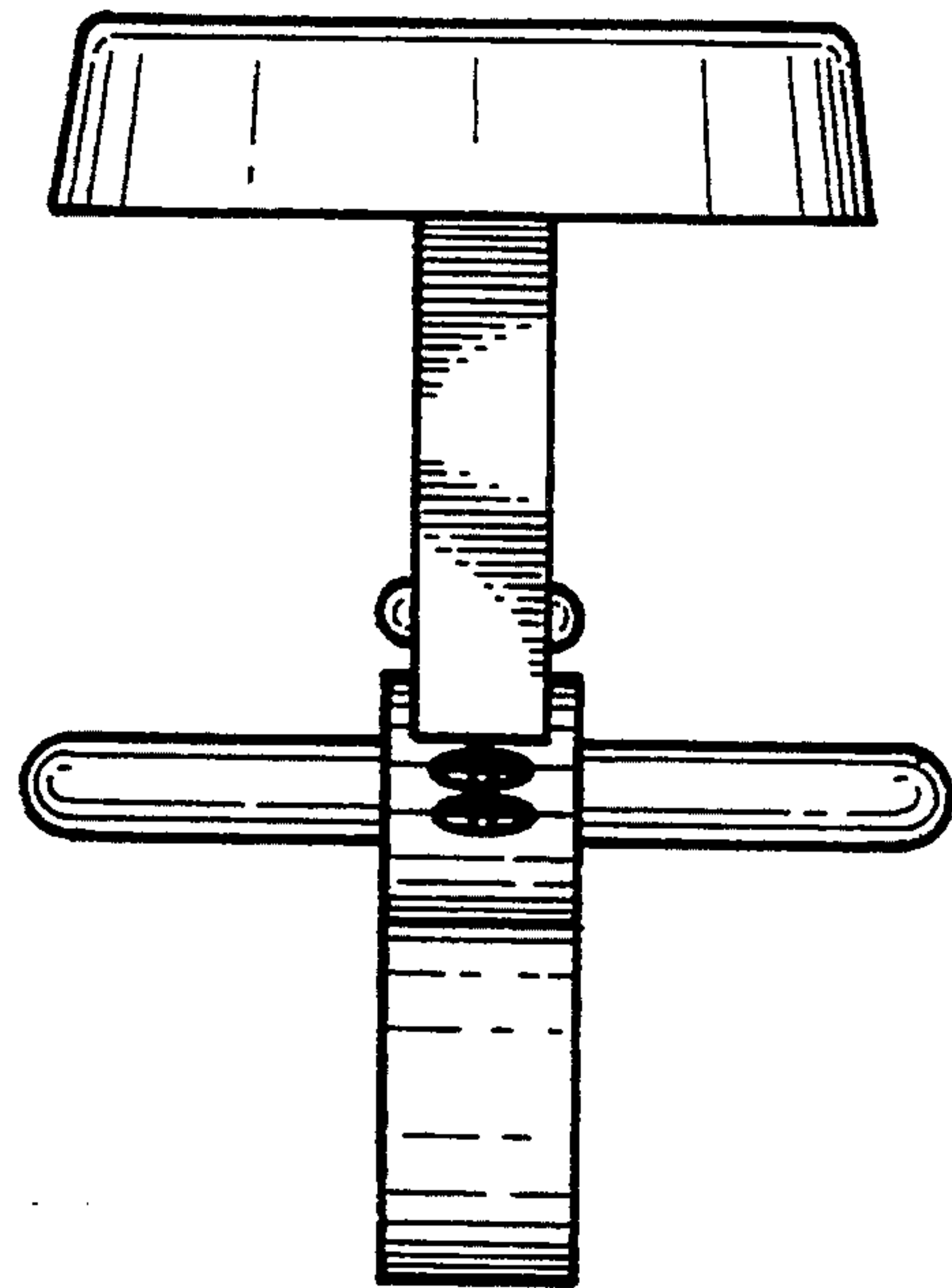


FIG. 3

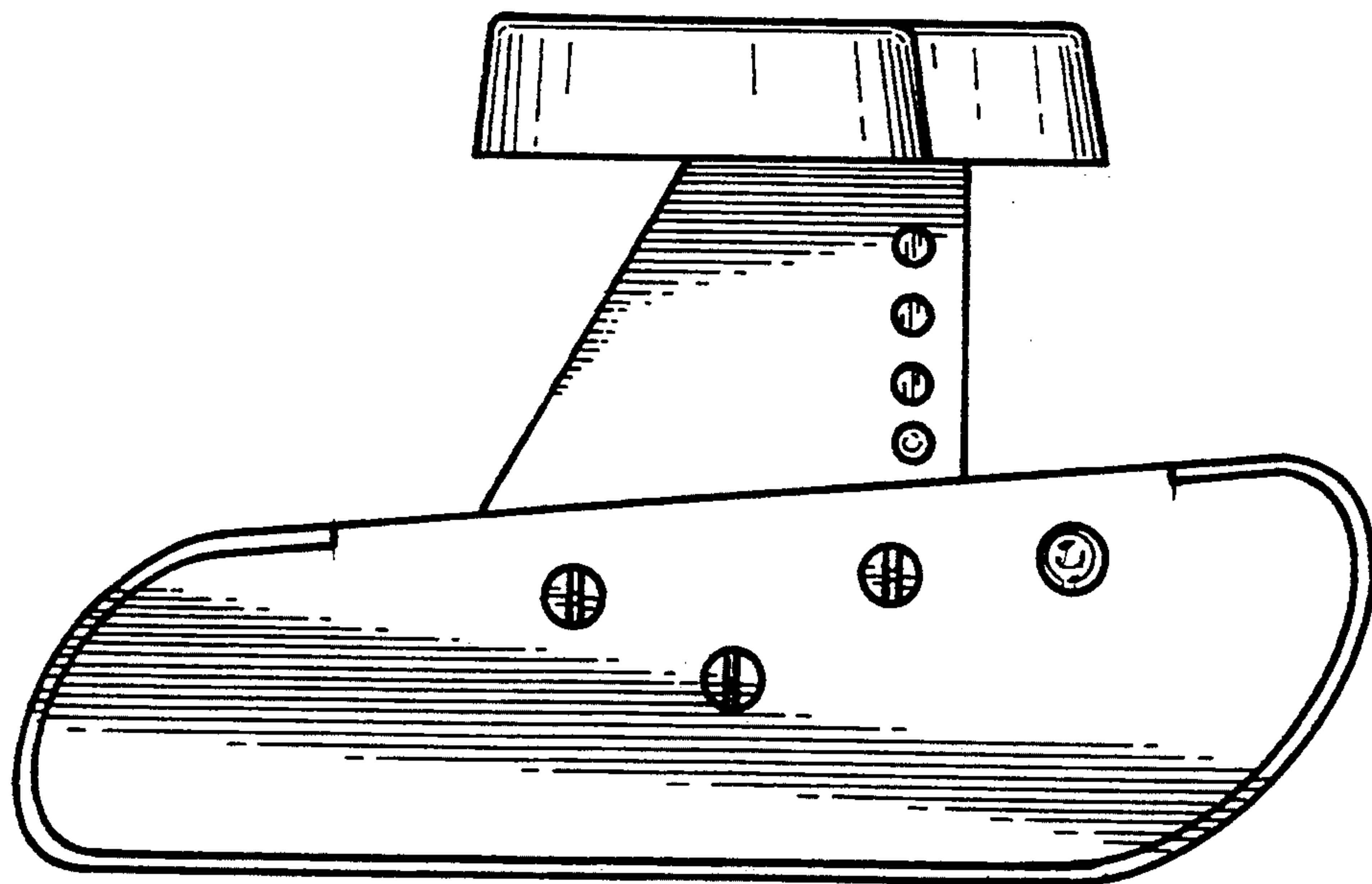


FIG. 4

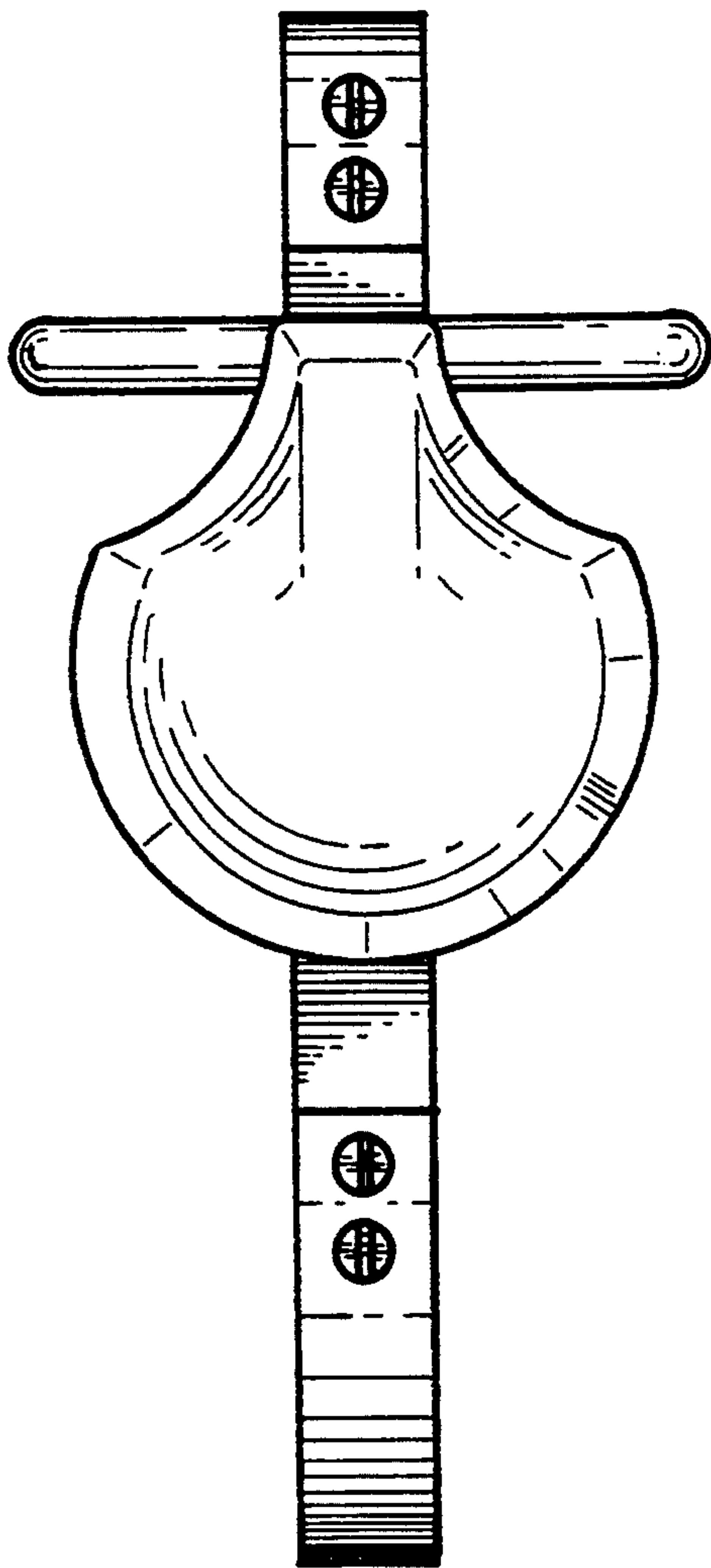


FIG. 5

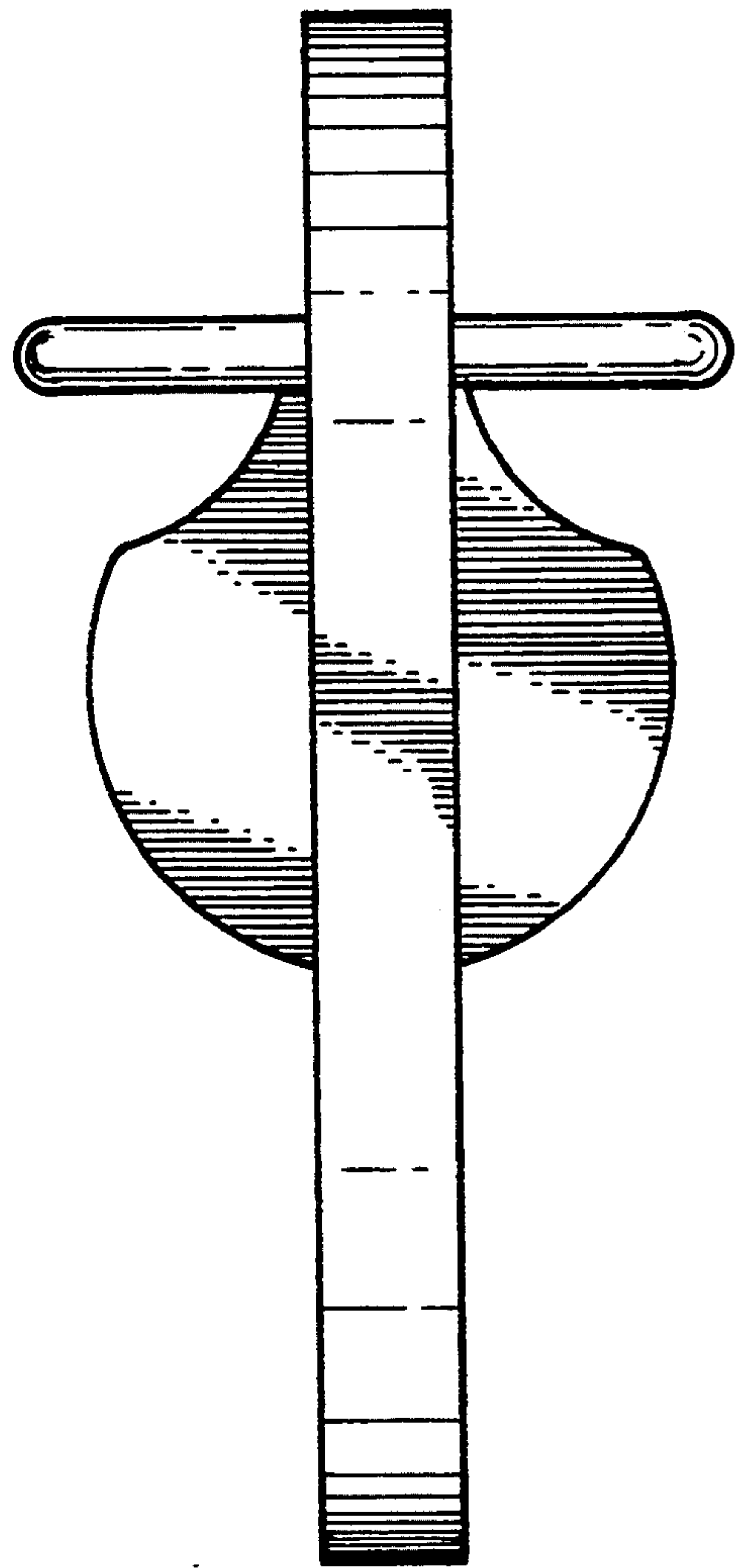


FIG. 6