



US00D353560S

United States Patent [19]
Rekuc

[11] **Patent Number: Des. 353,560**
[45] **Date of Patent: ** Dec. 20, 1994**

[54] **BUCKLE**
[75] **Inventor: Richard J. Rekuc, Pattenburg, N.J.**
[73] **Assignee: Sudhaus of America, Inc.,
Philipsburg, N.J.**
[**] **Term: 14 Years**
[21] **Appl. No.: 10,814**
[22] **Filed: Jul. 19, 1993**
[52] **U.S. Cl. D11/216; D11/218**
[58] **Field of Search 24/574, 633, 573, 631,
24/641, 616, 170, 365, 200, 196, 74; 297/467;
D11/200, 215-216, 218, 231, 220**

D. 340,886 11/1993 Anscher D11/200

Primary Examiner—Ralf T. Seifert
Attorney, Agent, or Firm—Herbert Dubno

[57] **CLAIM**

The ornamental design for a buckle, as shown and described.

DESCRIPTION

FIG. 1 is a front elevational view in the closed position of a buckle showing my new design;
FIG. 2 is a rear elevational view thereof;
FIG. 3 is a top plan view thereof, the bottom being a mirror image;
FIG. 4 is a left side elevational view thereof;
FIG. 5 is a right side elevational view thereof;
FIG. 6 is an upper front and right side exploded perspective view thereof; and,
FIG. 7 is a lower rear and left side exploded perspective view thereof.

[56] **References Cited**

U.S. PATENT DOCUMENTS

D. 303,233 9/1989 Jang D11/216
D. 312,430 11/1990 Crowle D11/216

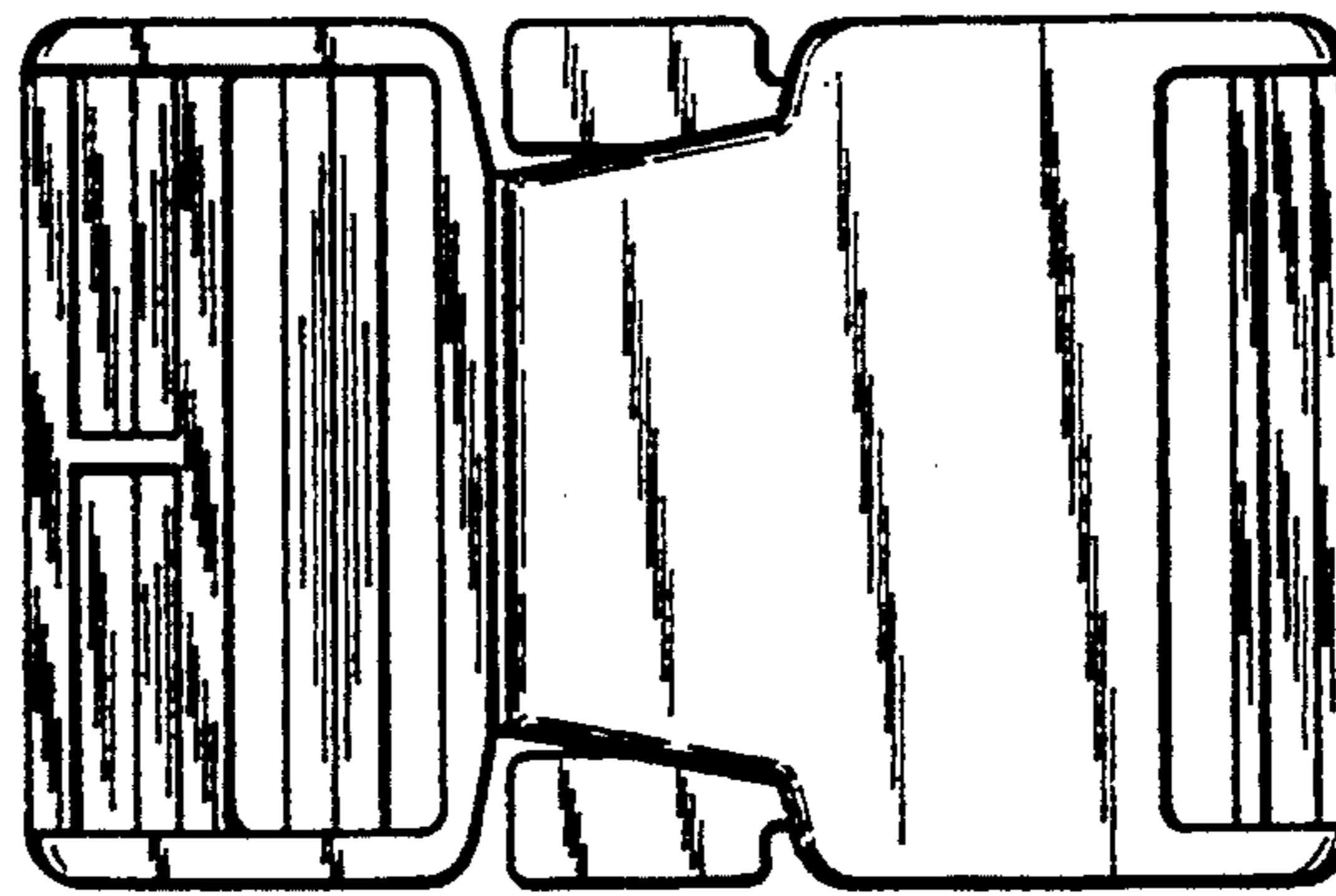




FIG. 3



FIG. 4

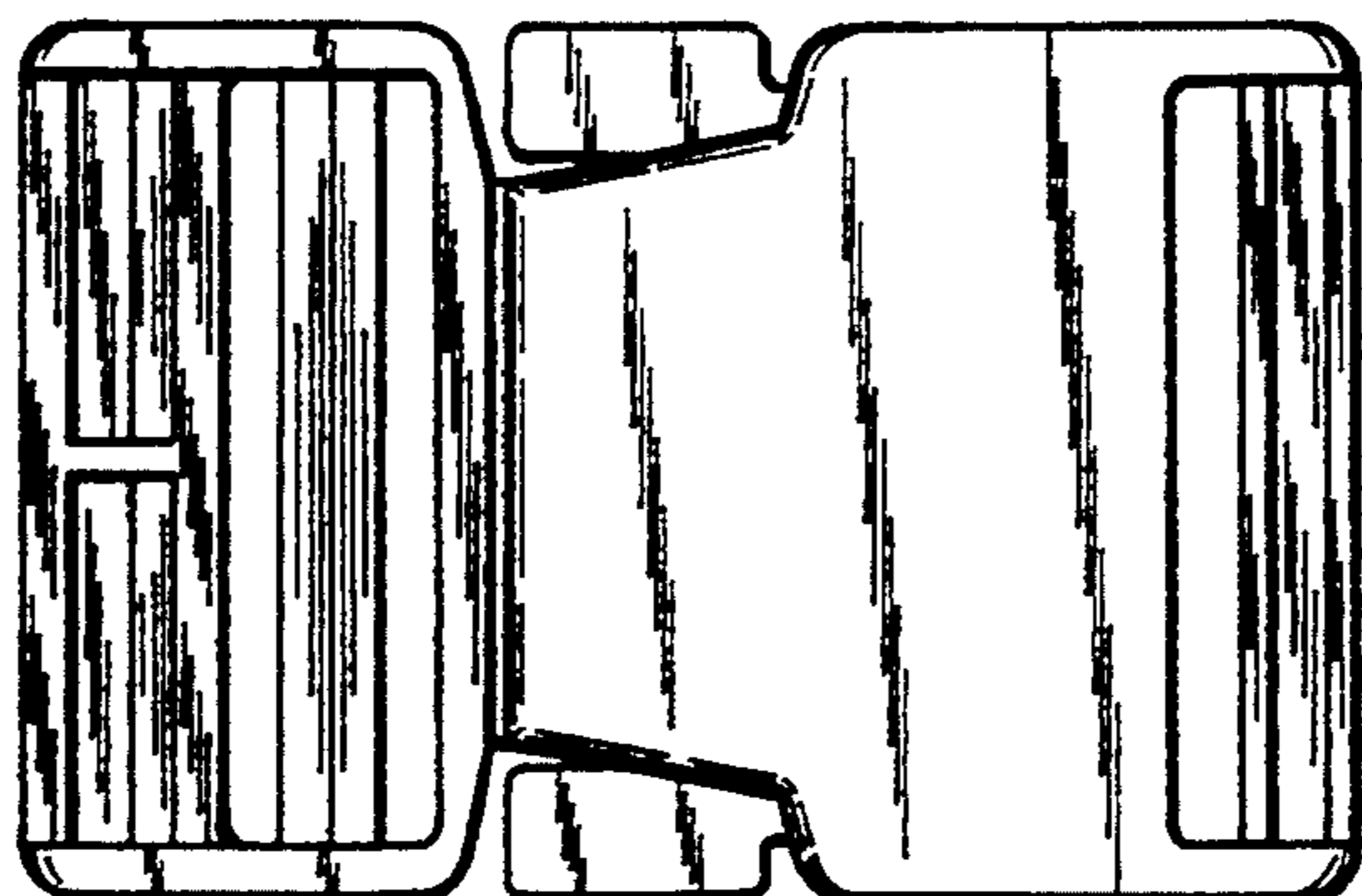


FIG. 1



FIG. 5

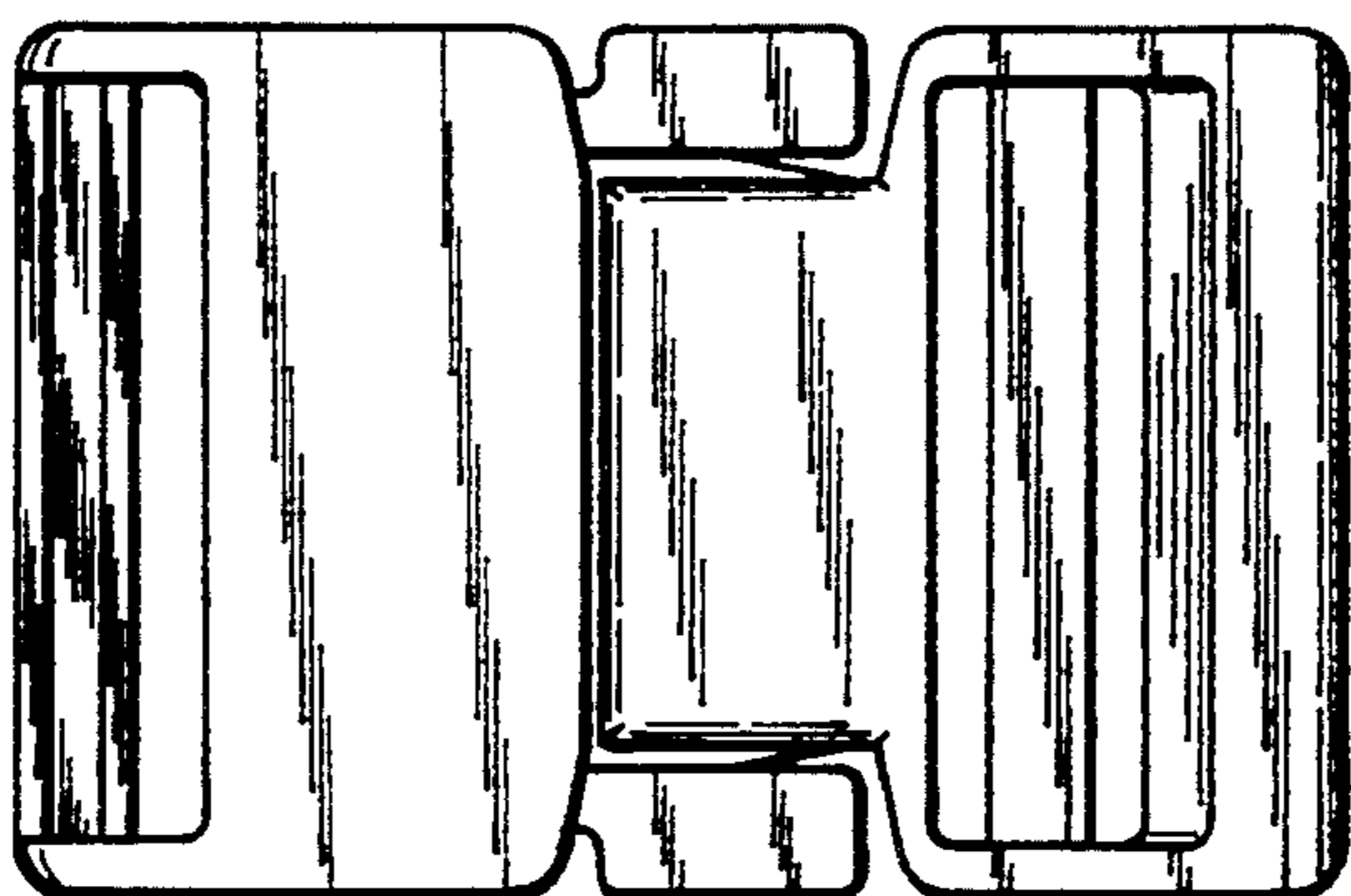


FIG. 2

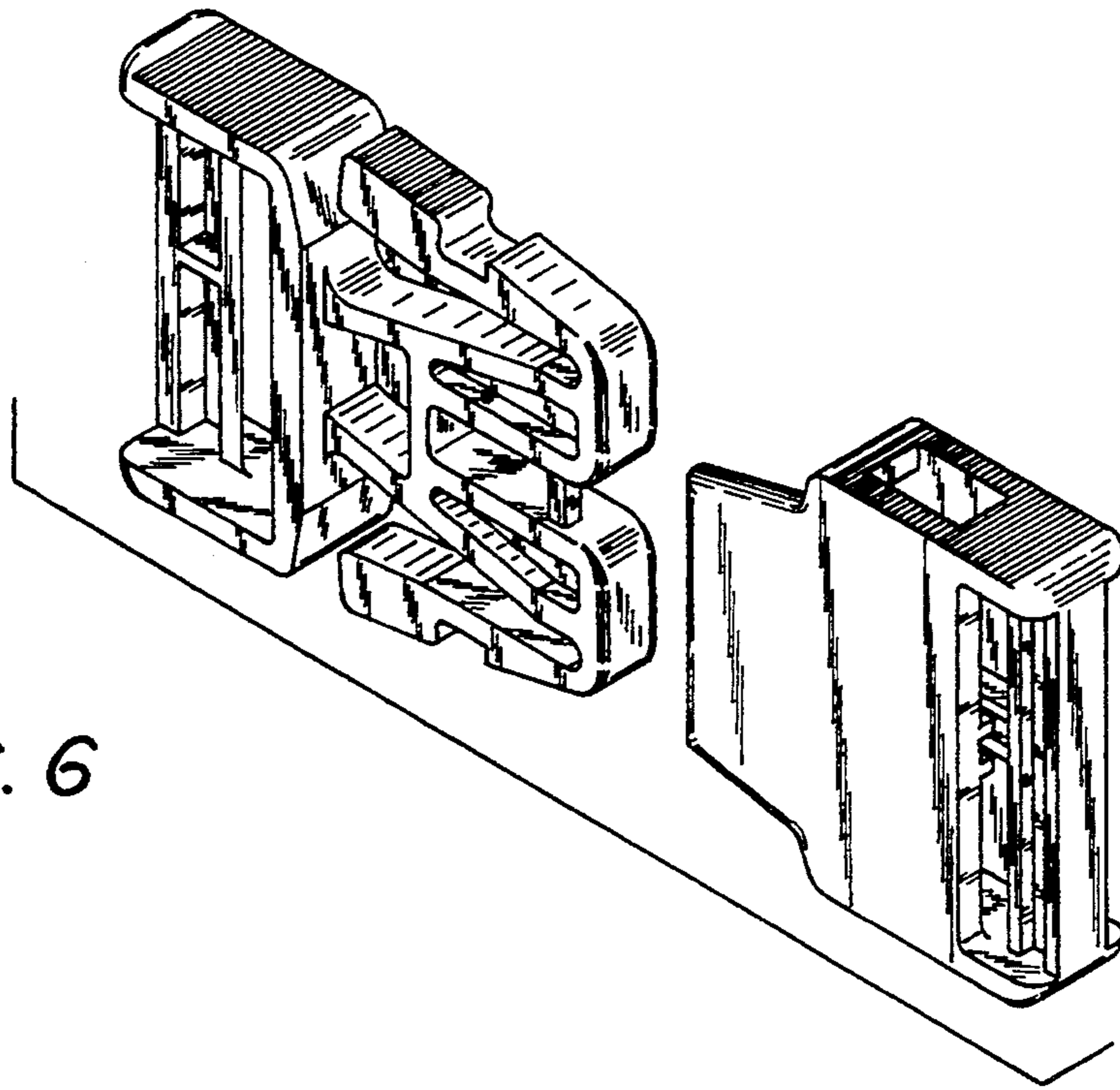


FIG. 6

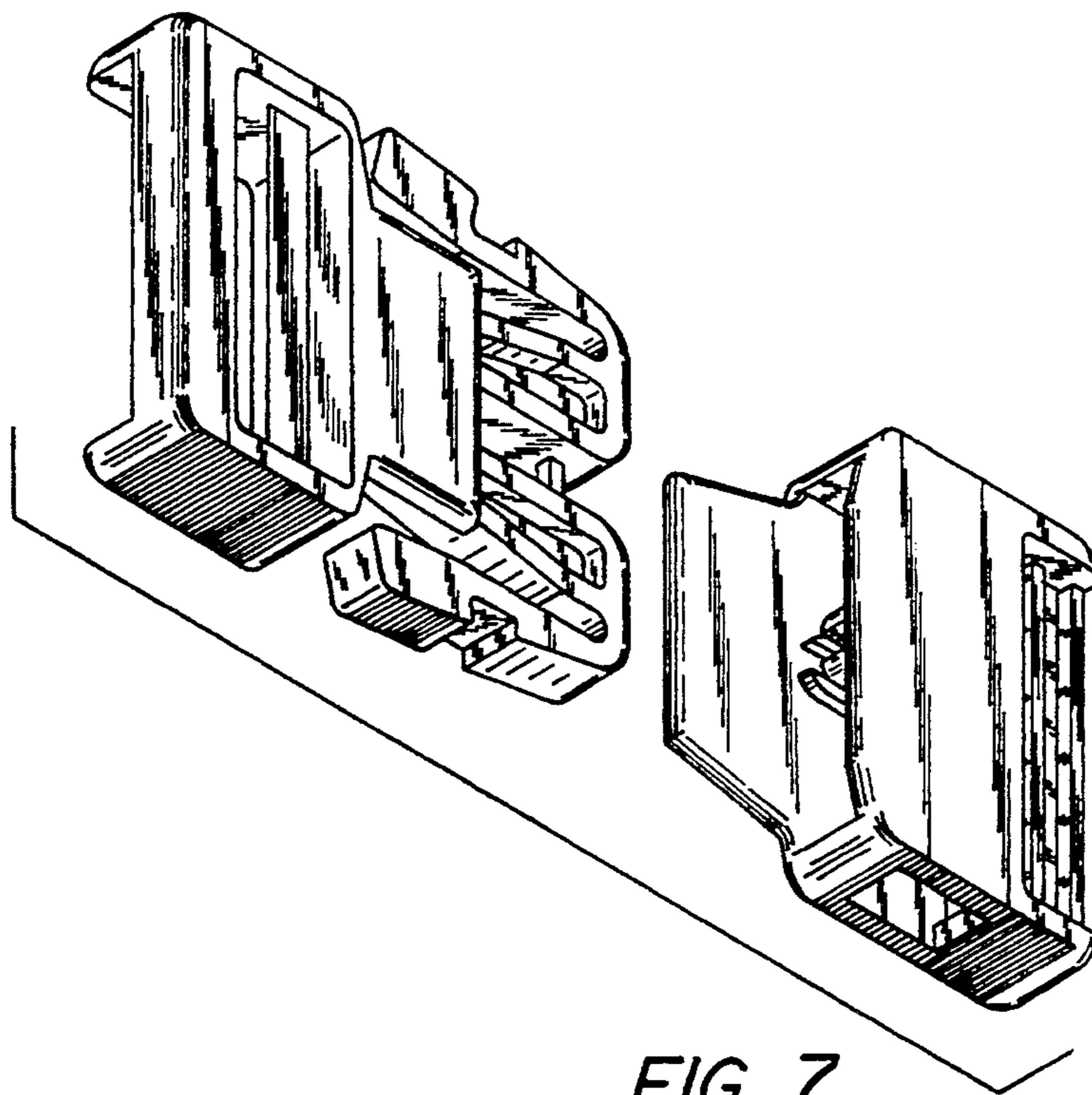


FIG. 7