



US00D353546S

# United States Patent [19]

[11] Patent Number: **Des. 353,546**

Davis

[45] Date of Patent: **\*\* Dec. 20, 1994**

[54] **DIETARY SLIDING SCALE**

[76] Inventor: **Herbert Davis**, P.O. Box 32241, Long Beach, Calif. 90832

[\*\*] Term: **14 Years**

[21] Appl. No.: **8,035**

[22] Filed: **May 10, 1993**

[52] U.S. Cl. .... **D10/71**

[58] Field of Search ..... 33/483-494;  
235/69, 70 R, 70 A, 70 B, 70 C; D10/46, 70, 71,  
74

### FOREIGN PATENT DOCUMENTS

2910192 9/1979 Germany ..... 235/70 A

### OTHER PUBLICATIONS

Woman's Day; Master Shopper; Aug. 1971; p. 150.

*Primary Examiner*—Alan P. Douglas

*Assistant Examiner*—Antoine D. Davis

*Attorney, Agent, or Firm*—Roger A. Marrs

### [57] CLAIM

The ornamental design for a dietary sliding scale, as shown.

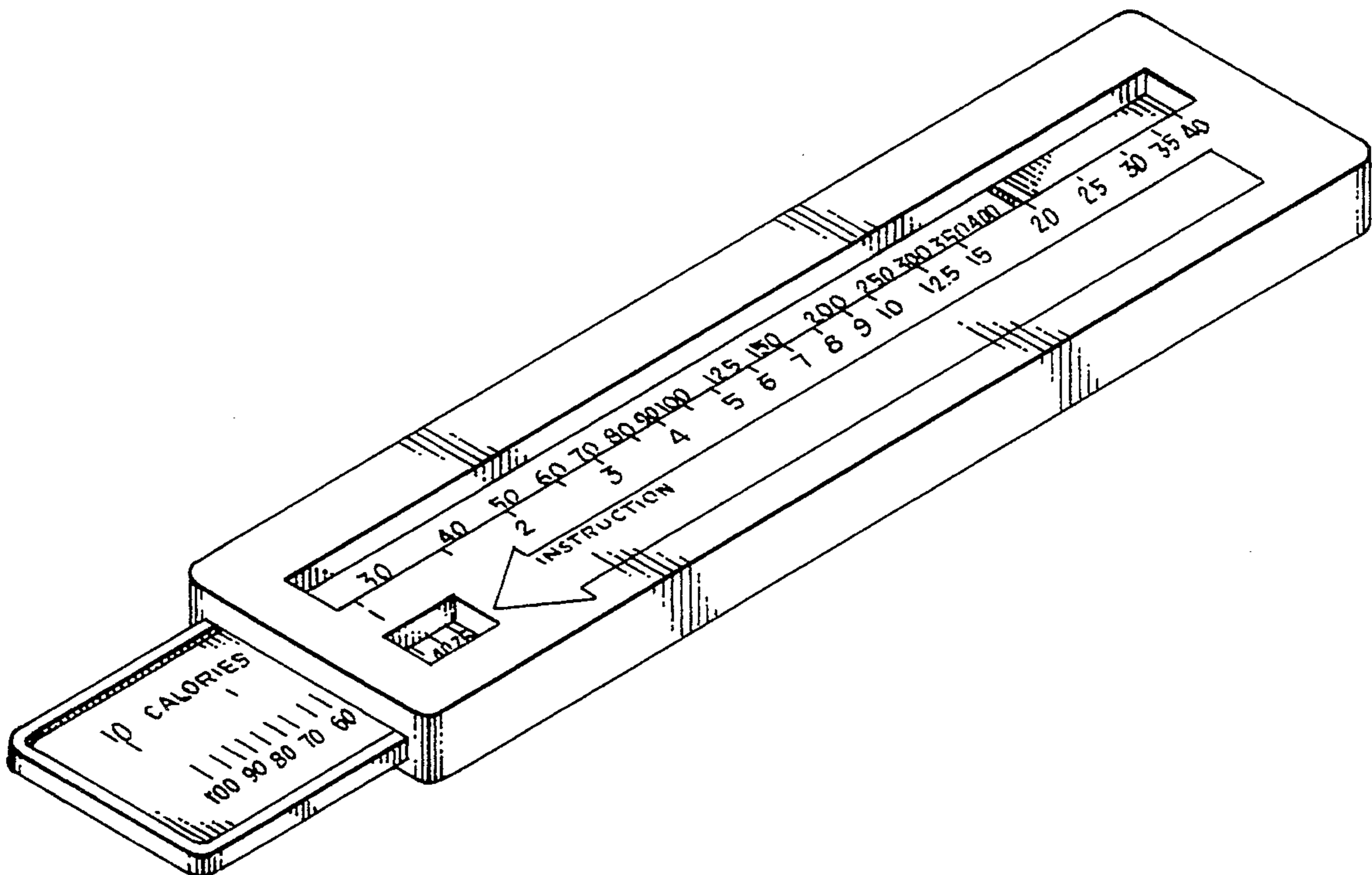
### DESCRIPTION

FIG. 1 is a front elevational view of a dietary sliding scale showing my new design therefor; FIG. 2 is a top plan view thereof; FIG. 3 is a rear elevational view thereof; FIG. 4 is an end elevational view thereof; and, FIG. 5 is a perspective view thereof.

### [56] References Cited

#### U.S. PATENT DOCUMENTS

D. 257,962	1/1981	Youdelman et al. ....	D10/71
2,452,417	10/1948	Zentis .....	235/70 R
3,045,906	7/1962	Burg .....	235/70 R
3,441,208	4/1969	Goldstein .....	235/70 R
4,189,634	2/1980	Labove et al. ....	235/70 A



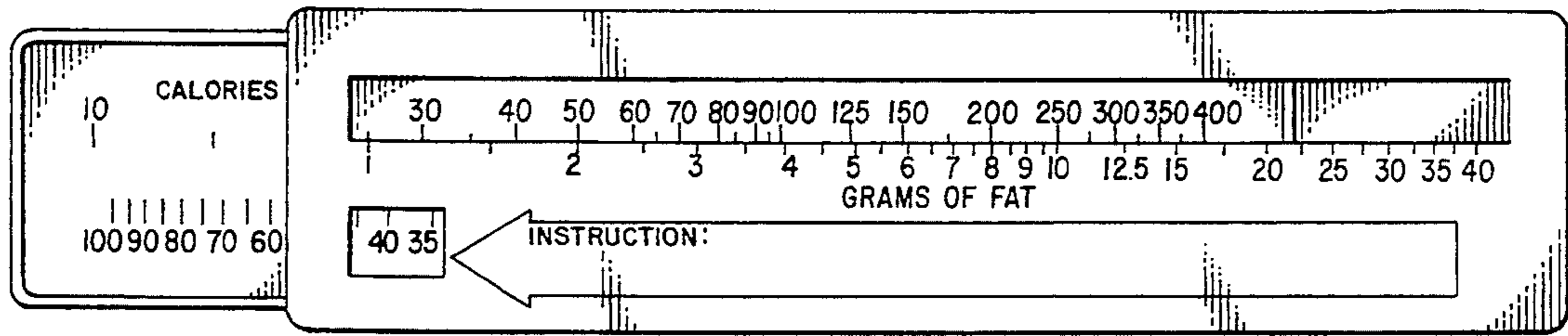


FIG. 1.



FIG. 2.

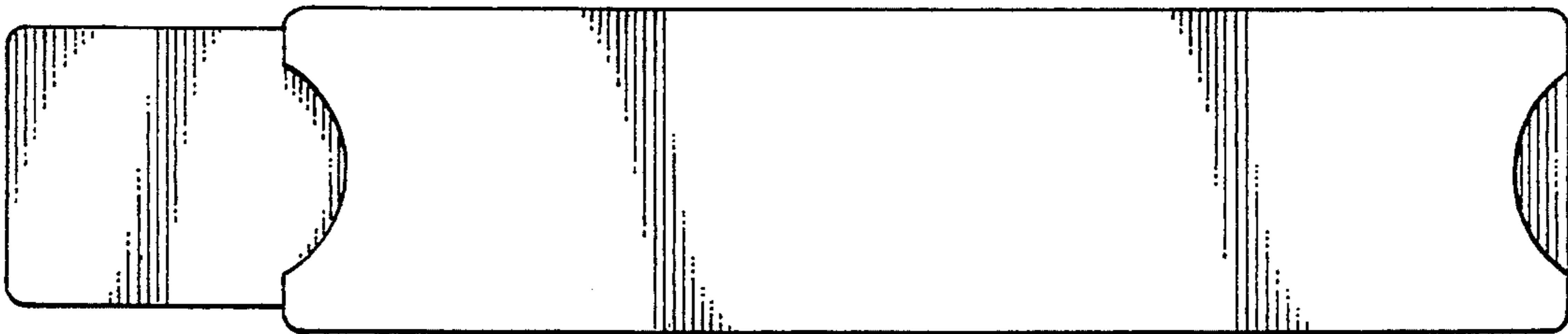


FIG. 3.



FIG. 4.

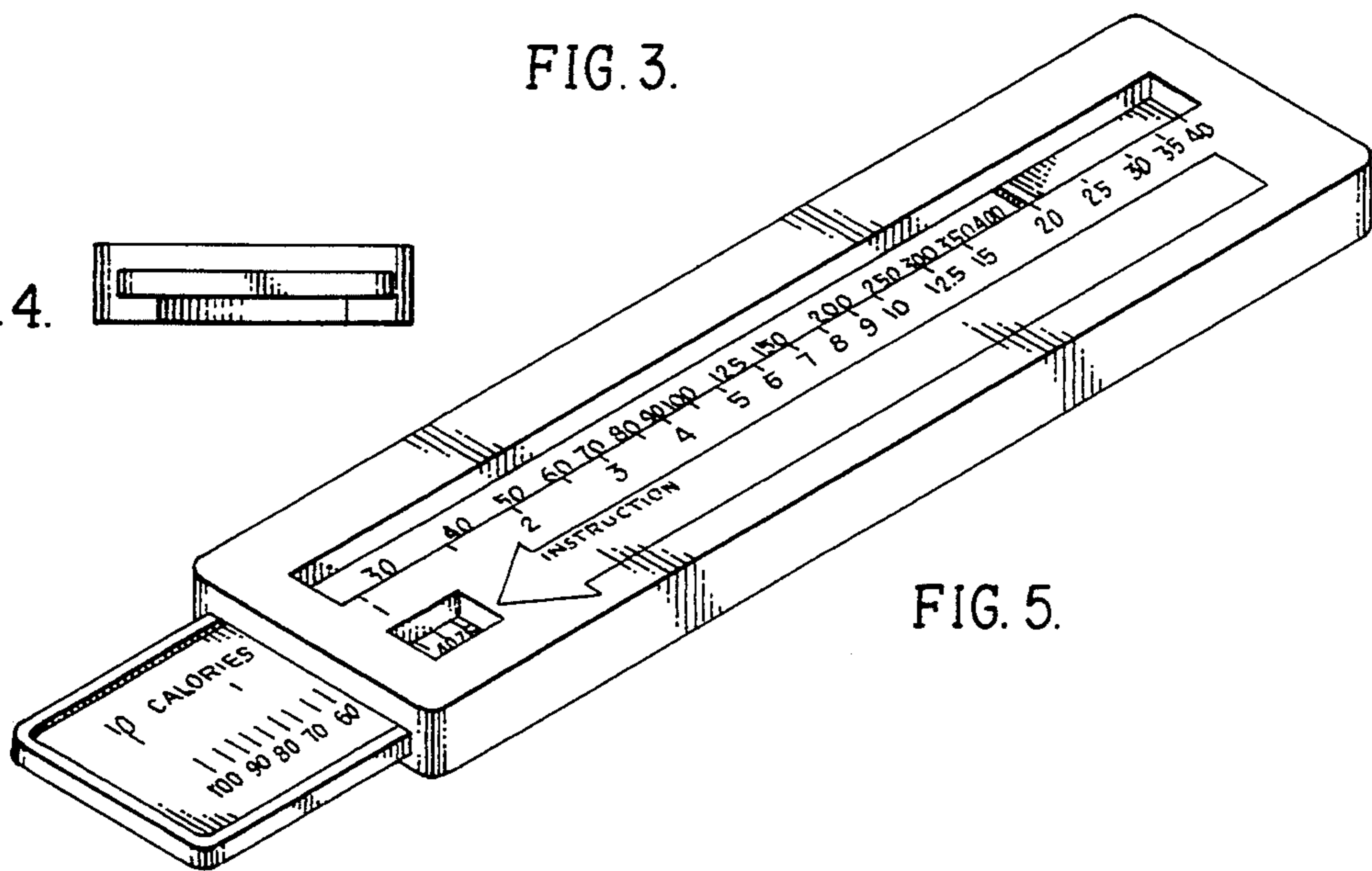


FIG. 5.