



US00D353539S

United States Patent [19]

[11] Patent Number: **Des. 353,539**

Linnér

[45] Date of Patent: **** Dec. 20, 1994**

[54] **COMBINED TUBE AND CAP**

[75] Inventor: **Hans Linnér**, Kalmar, Sweden

[73] Assignee: **Norden Pac Development AB**, Sweden

[**] Term: **14 Years**

[21] Appl. No.: **643,662**

[22] Filed: **Jan. 18, 1991**

[30] **Foreign Application Priority Data**

Jul. 20, 1990 [SE] Sweden 90-1569

[52] U.S. Cl. **D9/447**; D9/302

[58] Field of Search D9/300, 302, 306, 438, D9/442, 445, 447, 449, 450, 521, 338; 222/92, 96

3,260,412 7/1966 Larkin D9/302 X
 3,422,997 1/1969 Anderson 222/92 X
 4,598,839 7/1986 Dombroski et al. 222/92

OTHER PUBLICATIONS

Vogue; Oct. 1988; p. 199; "Clarins Baume" bottle laying on its side.

Primary Examiner—Melvin B. Feifer
Assistant Examiner—Mitchell I. Siegel
Attorney, Agent, or Firm—Lerner, David, Littenberg, Krumholz & Mentlik

CLAIM

[57] The ornamental design for a combined tube and cap, as shown and described.

DESCRIPTION

FIG. 1 is a front elevational view of a combined tube and cap showing my new design;
 FIG. 2 is a top, front and side perspective view thereof;
 FIG. 3 is a top plan view thereof;
 FIG. 4 is a bottom plan view thereof; and,
 FIG. 5 is a side elevational view thereof, the undisclosed opposite side being a mirror image.
 The characteristic feature of the design resides in the unique dispensing opening having a mushroom shape.

[56] **References Cited**
U.S. PATENT DOCUMENTS

D. 133,759 5/1942 Mock D9/302
 D. 188,397 7/1960 Hulsh D9/338 X
 D. 196,393 9/1963 Sanders et al. D9/300
 D. 297,305 8/1988 Rudick et al. D9/300
 D. 299,810 2/1989 Trickett D9/300
 D. 312,405 11/1990 Kenyon, Jr. D9/447

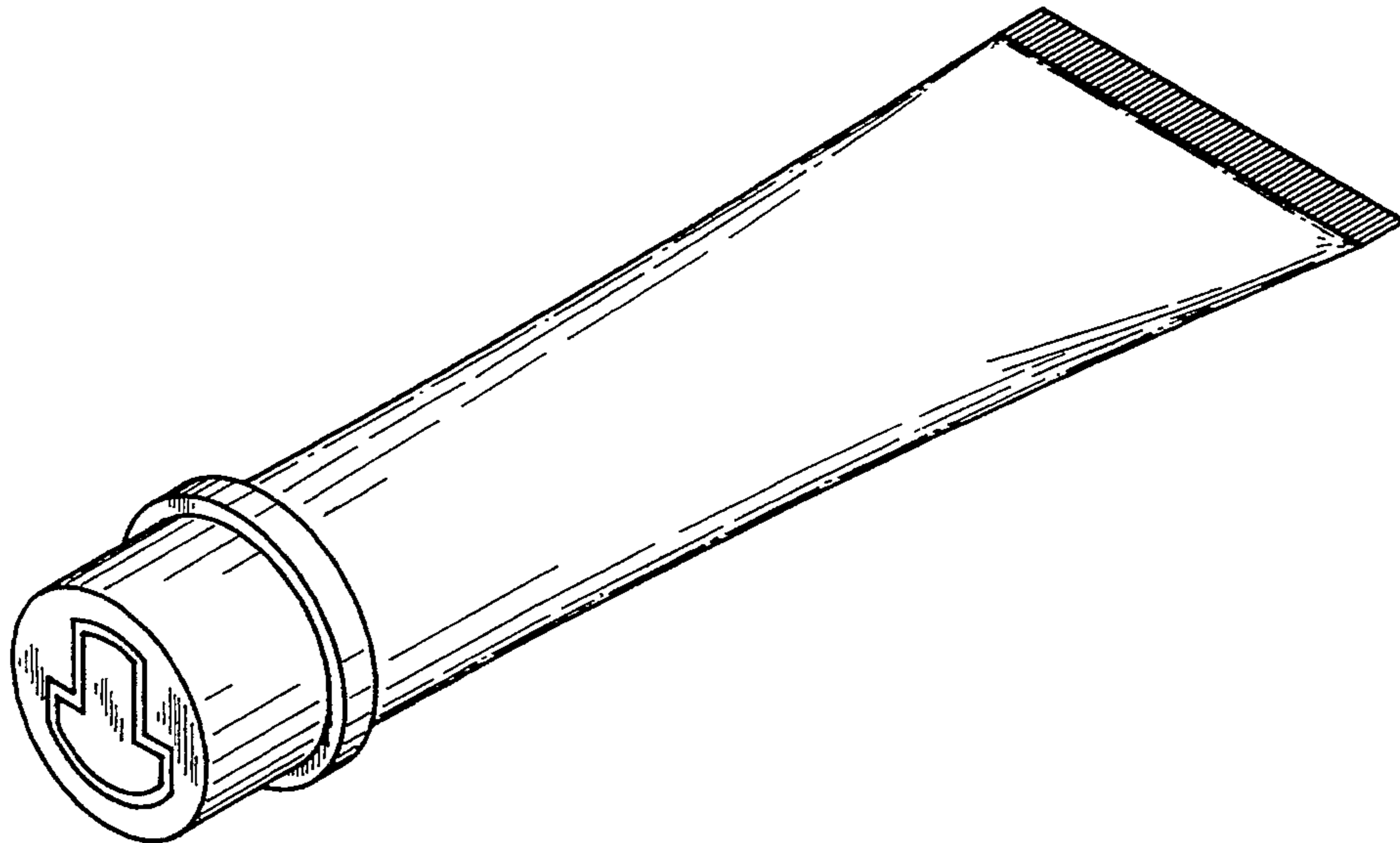


FIG. 1

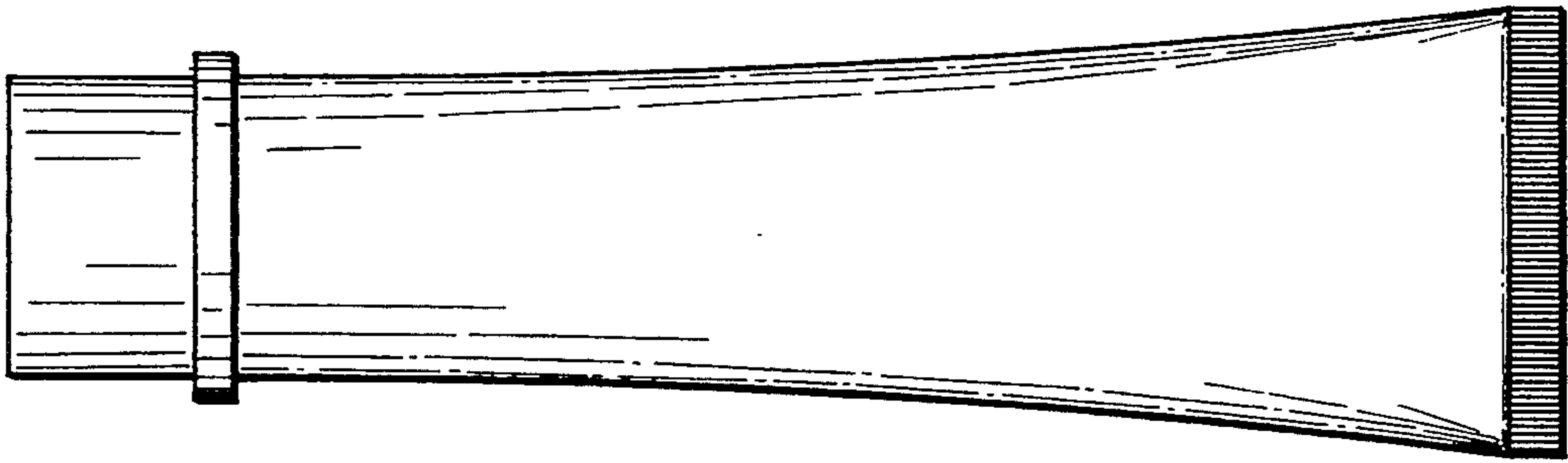


FIG. 2

