



US00D353538S

United States Patent [19]

[11] Patent Number: **Des. 353,538**

Jobit

[45] Date of Patent: **** Dec. 20, 1994**

[54] **PACKAGE FOR A BOTTLE OF CHAMPAIGN**

2,405,499	8/1946	Guyer et al.	229/23 R
3,253,703	5/1966	Ettin	229/40
3,542,569	11/1970	Farquhar	229/40 X
4,300,679	11/1981	Benzschawel et al.	229/40 X
4,372,477	2/1983	Wytko	229/23 A

[75] Inventor: **Jean-Michel Jobit**, Saint Cybard, France

[73] Assignee: **Piper Heidsieck, Ancienne Maison Heidsieck Fondée en 1785 Compagnie Champenoise S.A.**, Reims, France

[**] Term: **14 Years**

[21] Appl. No.: **875,701**

[22] Filed: **Apr. 28, 1992**

[30] **Foreign Application Priority Data**

Oct. 29, 1991 [FR] France 021002

[52] U.S. Cl. **D9/432; D9/433; D9/346**

[58] Field of Search D9/341-346, D9/433, 432, 456, 501; 229/23 R, 40, 23 A; 206/427, 434, 494

[56] **References Cited**

U.S. PATENT DOCUMENTS

D. 272,600	2/1984	Kubas	D9/346
D. 287,466	12/1986	Gardner	D9/414
2,314,951	3/1943	Ringler	229/23 A

Primary Examiner—Prabhakar G. Deshmukh
Attorney, Agent, or Firm—Cushman Darby & Cushman

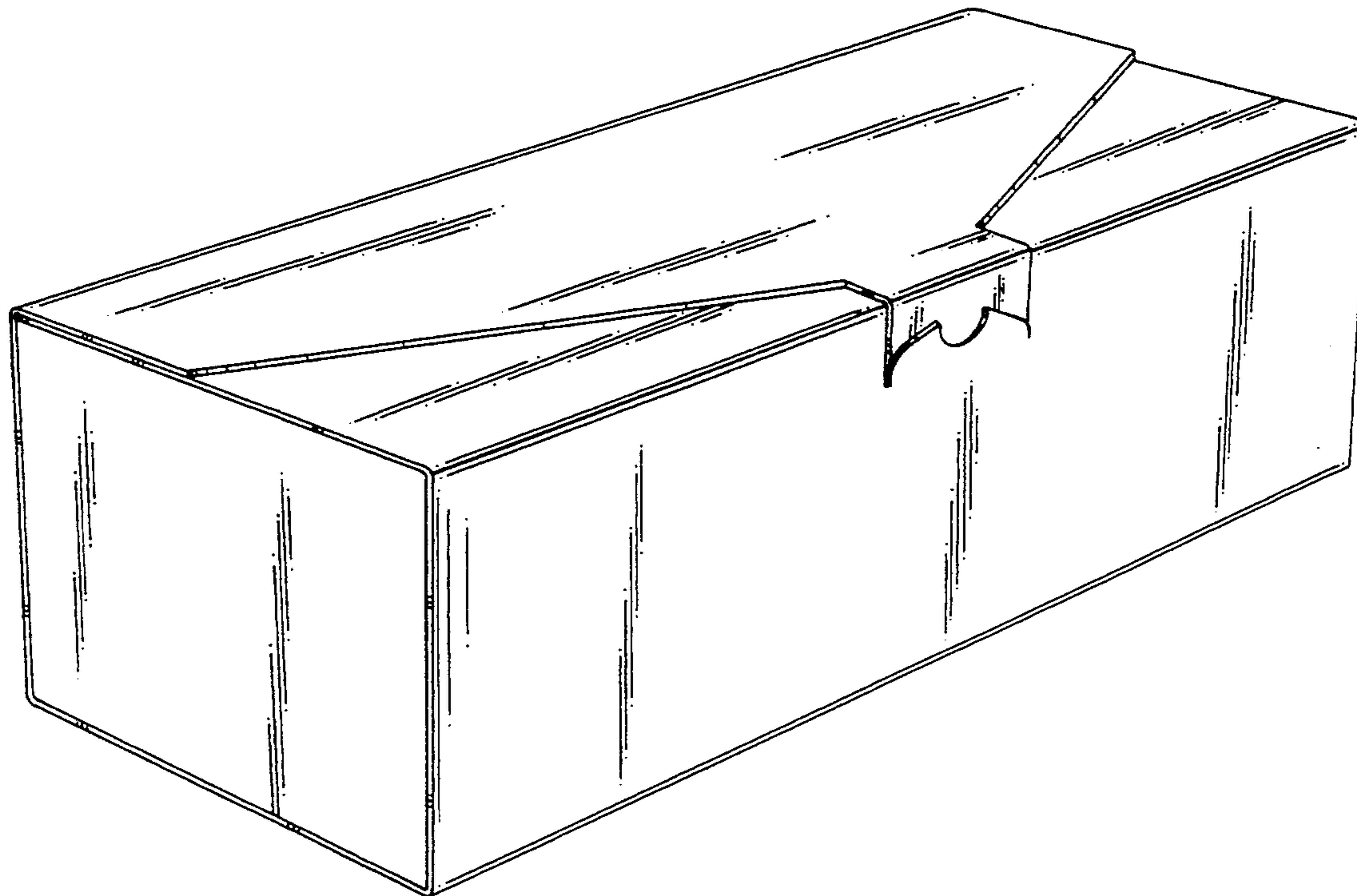
[57] **CLAIM**

The ornamental design for a package for a bottle of champaign, as shown and described.

DESCRIPTION

FIG. 1 is a perspective view from the front, top and one end of a package for a bottle of champaign;
 FIG. 2 is an opposite end elevational view thereof;
 FIG. 3 is a rear elevational view thereof;
 FIG. 4 is a perspective view, similar to FIG. 1, but showing the flaps of the wrapper portion of the package opened away from the flexible foil strip-covered, bottle cradle housing box portion of the package;
 FIG. 5 is an end elevation view of the package in the FIG. 4 condition thereof; and,
 FIG. 6 is a transverse cross-sectional view on line 6—6 of FIG. 1.

The bottom is plain and unornamented.



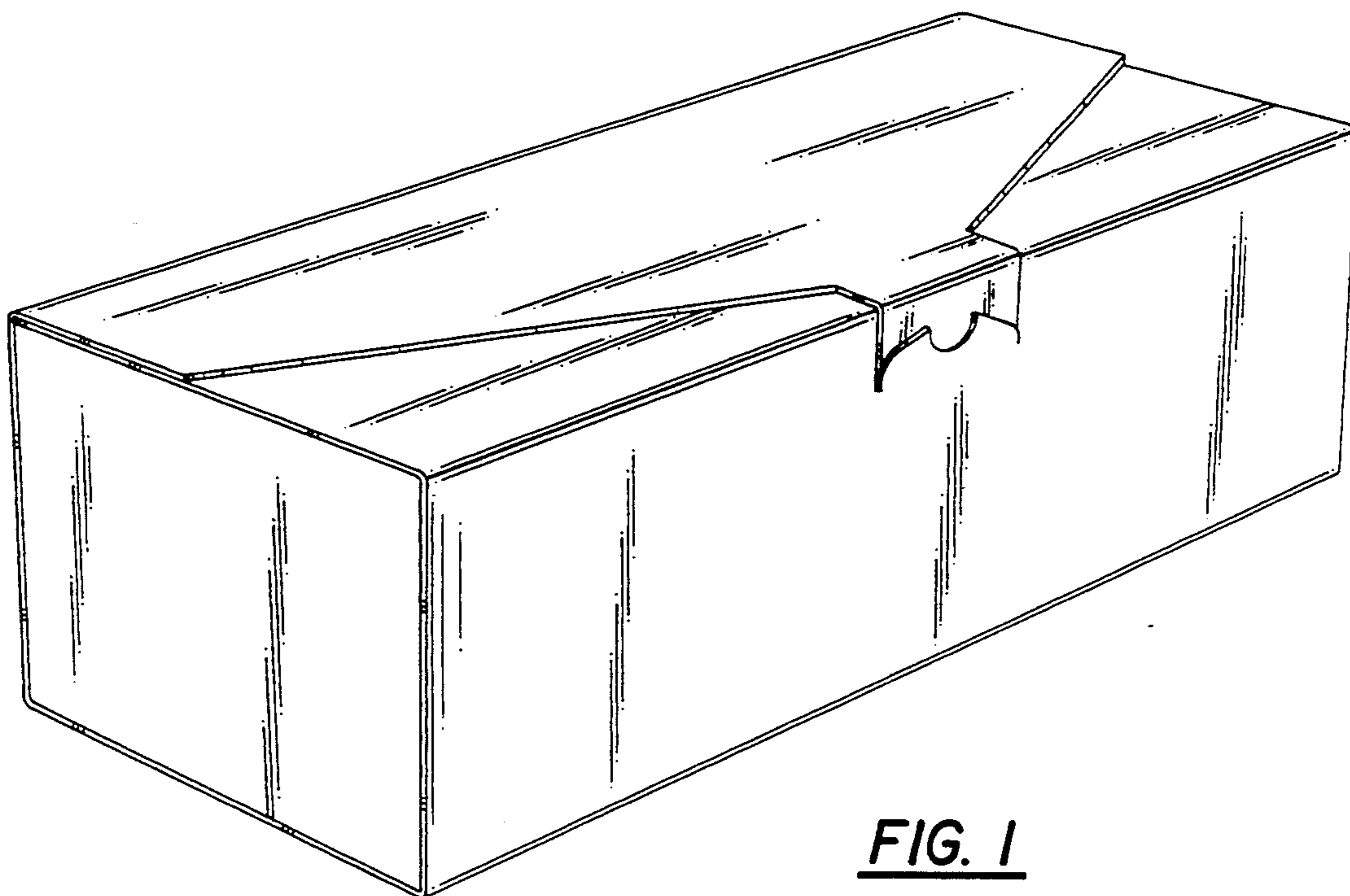


FIG. 1

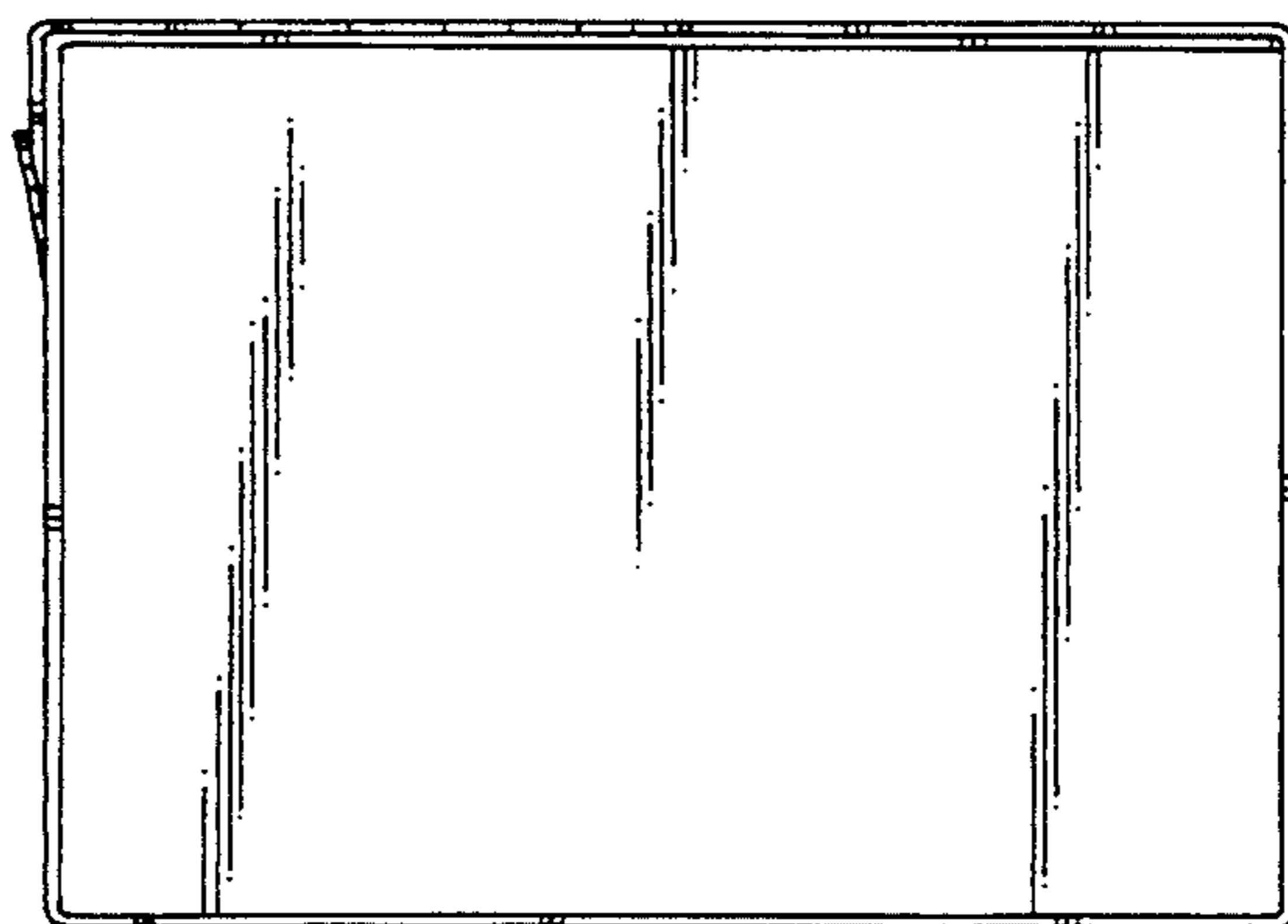


FIG. 2

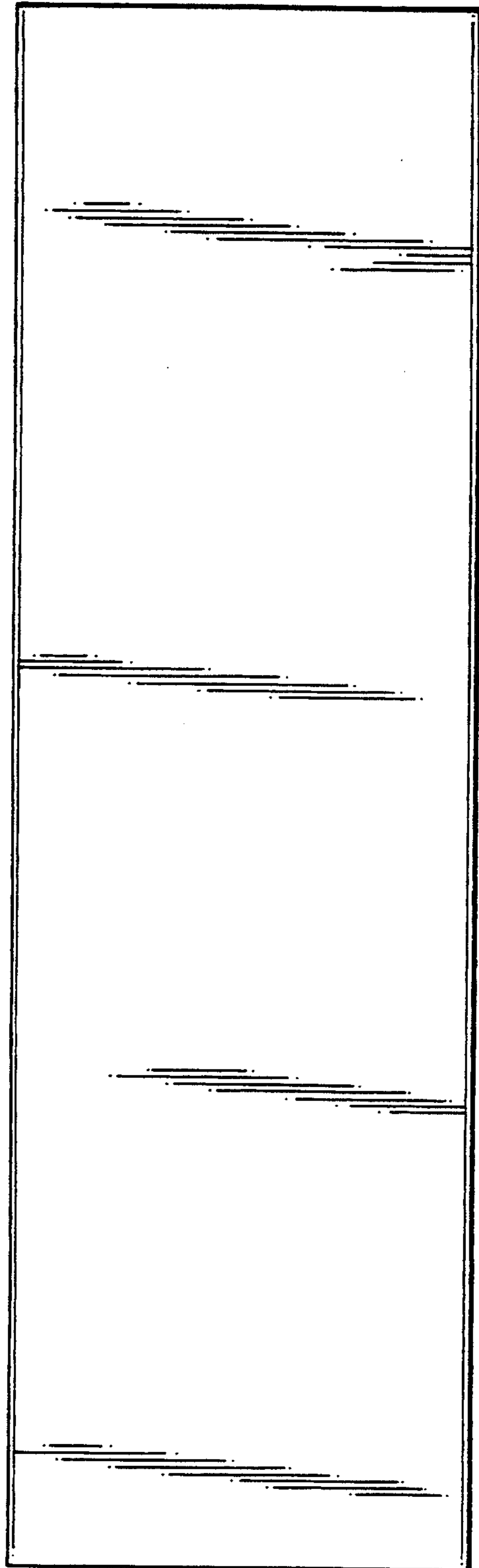


FIG. 3

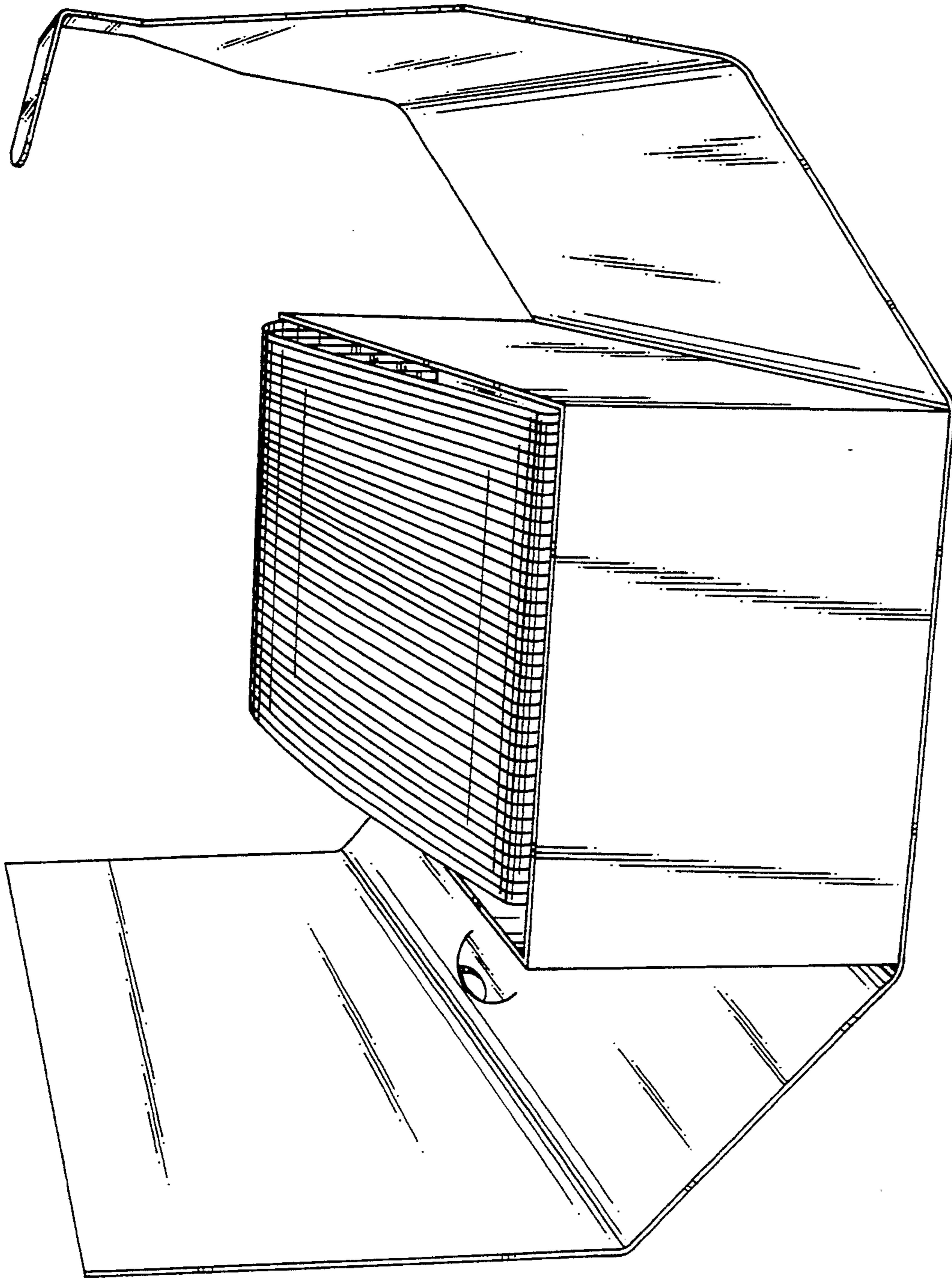


FIG. 4

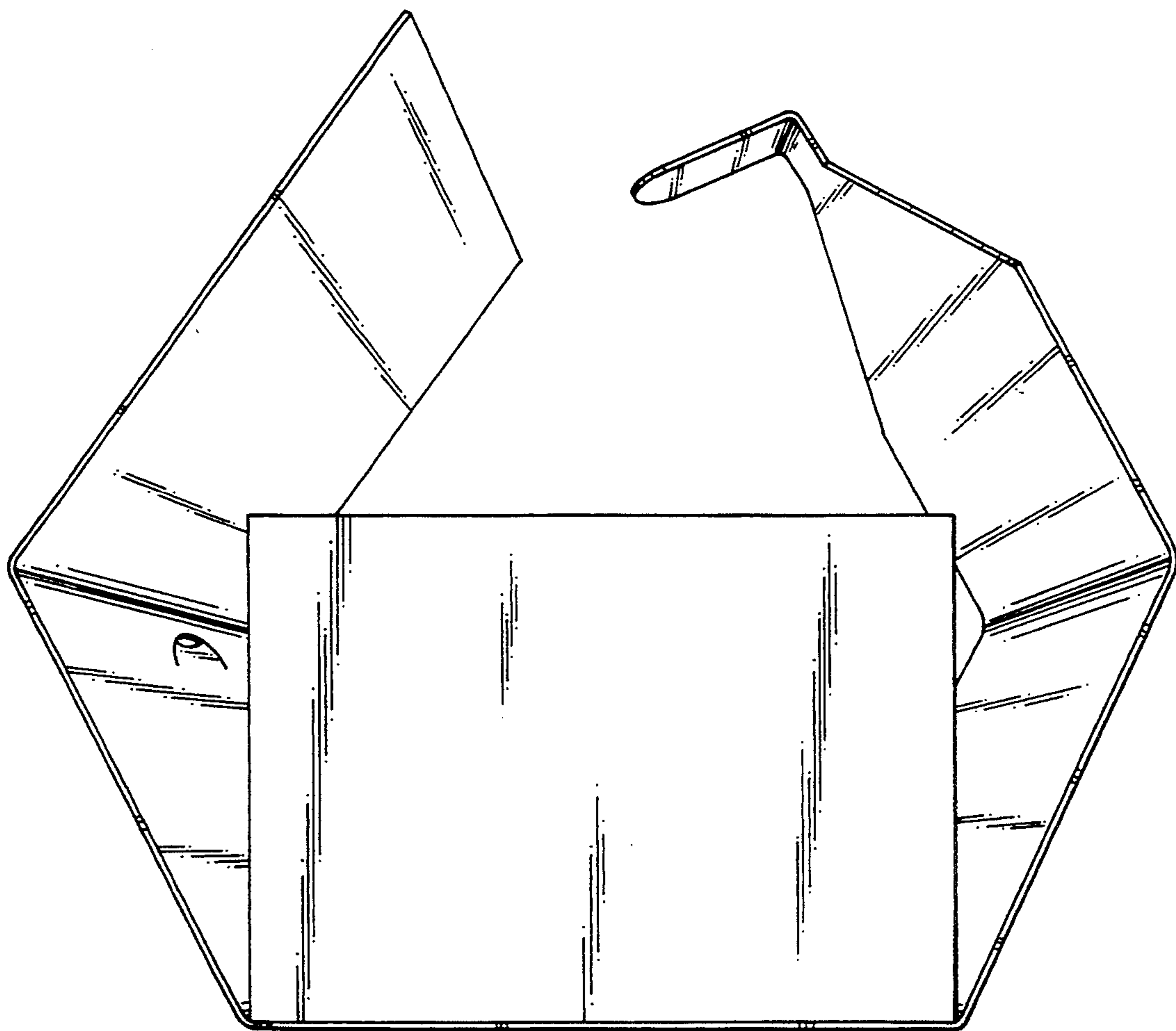


FIG. 5

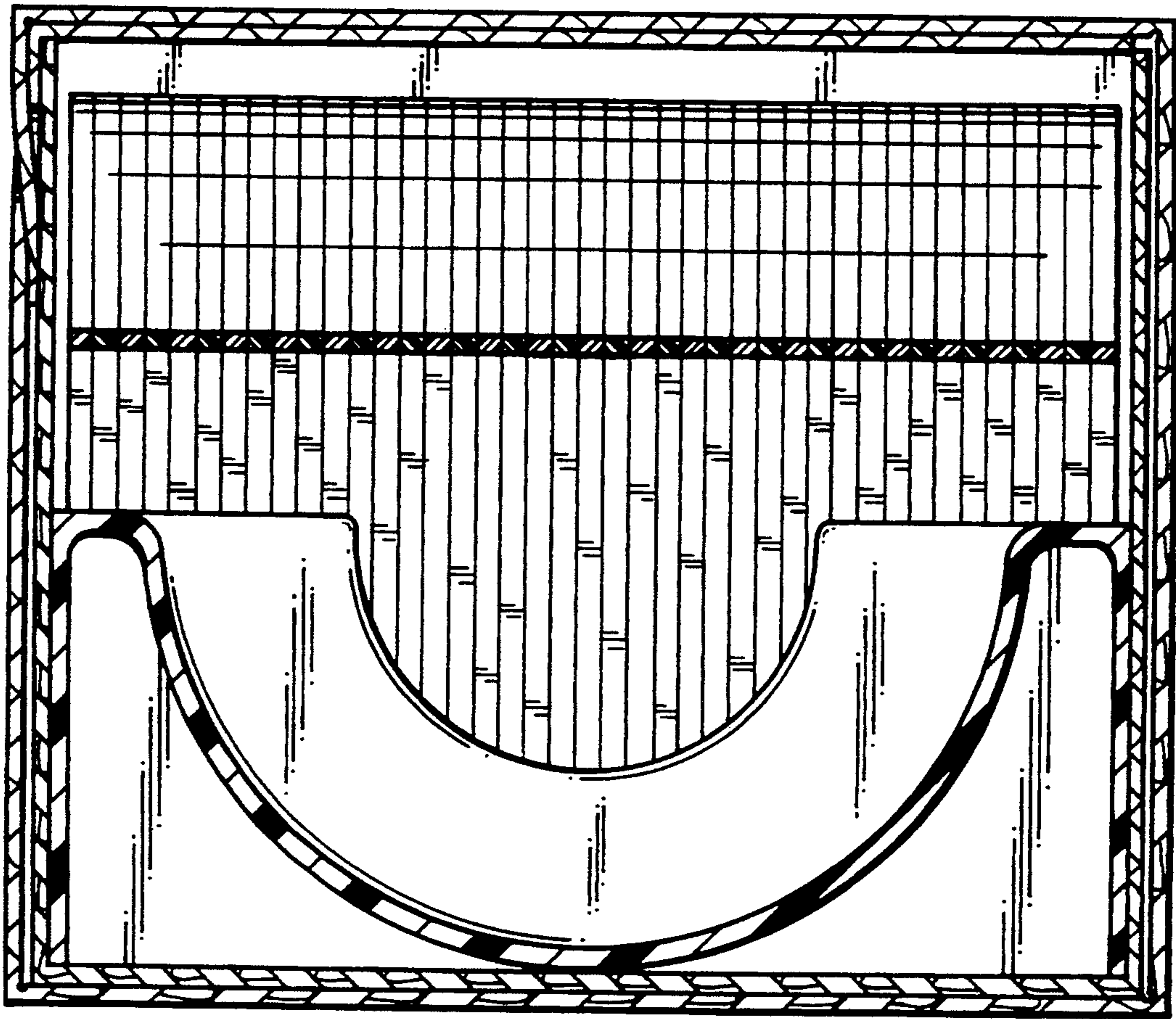


FIG. 6