



US00D353536S

United States Patent [19]

[11] Patent Number: Des. 353,536

Tucker

[45] Date of Patent: ** Dec. 20, 1994

[54] COMBINED DOOR STOP AND CLOTHING STAND

5,217,269 6/1993 Wiltberger 292/343

[76] Inventor: Dixon W. Tucker, 1063 Warwick Ave., Norfolk, Va. 23503

Primary Examiner—B. J. Bullock
Attorney, Agent, or Firm—Rhodes & Ascolillo

[**] Term: 14 Years

[57] CLAIM

[21] Appl. No.: 4,546

The ornamental design for a combined door stop and clothing stand, as shown and described.

[22] Filed: Feb. 8, 1993

[52] U.S. Cl. D8/402; D6/411

[58] Field of Search D8/402; D6/411; 211/33, 211/205; 292/342, 343; 16/82

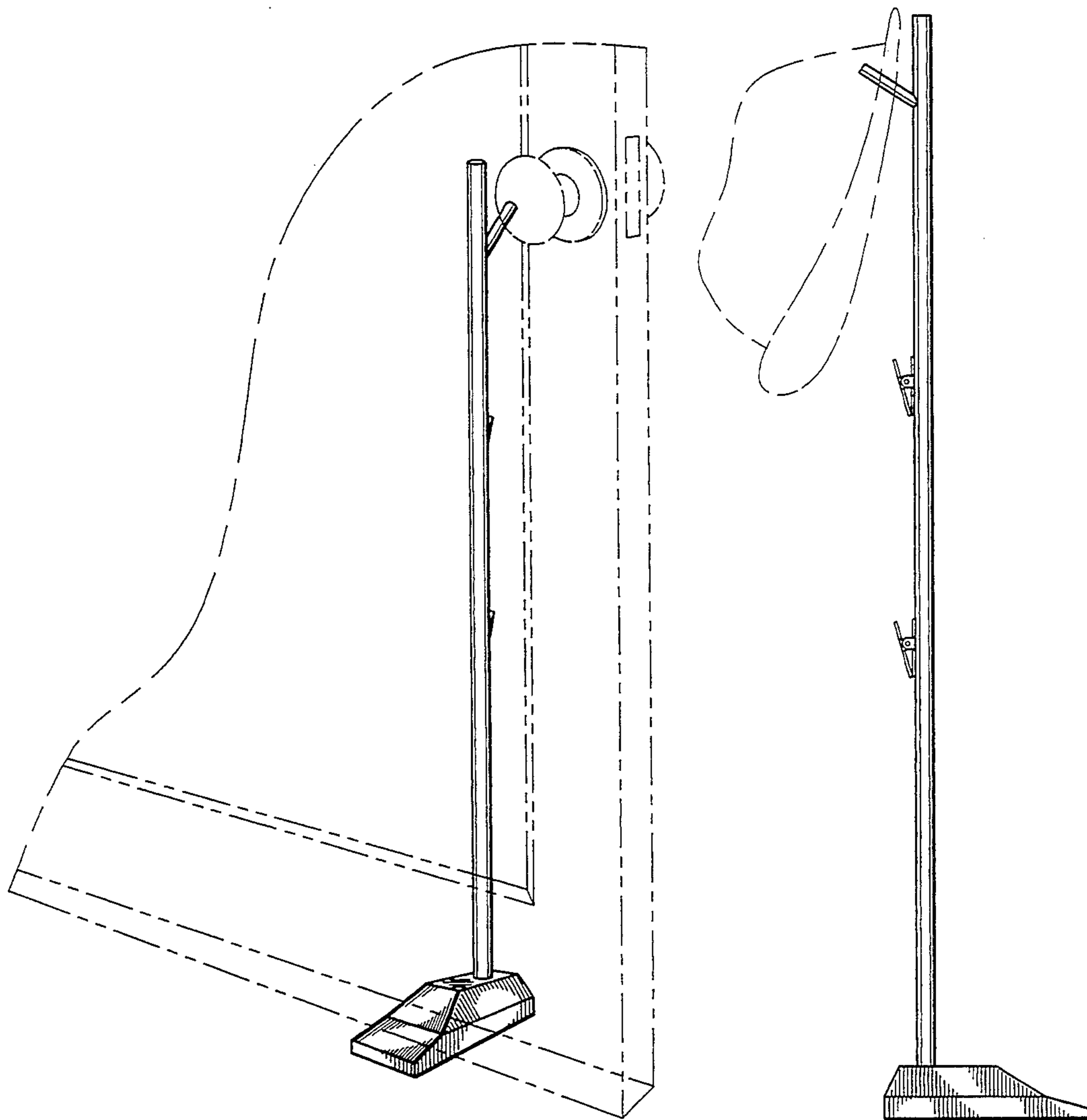
DESCRIPTION

[56] References Cited

U.S. PATENT DOCUMENTS

D. 282,793	3/1986	Zombeck	D6/411
2,010,093	8/1935	Lazarus	211/33
3,124,382	3/1964	Strother	292/342
3,143,369	8/1964	Adams	292/343
4,831,688	5/1989	Deininger	16/319
5,115,921	5/1992	Lavelle	211/205

FIG. 1 is a perspective view of a combined door stop and clothing stand showing my new design. The broken lines showing a partial view of a door are for illustrative purposes only and are not part of the claimed design; FIG. 2 is a left side view. The right side being a mirror image thereof. The broken lines showing a view of a hat are for illustrative purposes only and are not part of the claimed design; FIG. 3 is a front view; FIG. 4 is a rear view; FIG. 5 is a top view; and, FIG. 6 is a bottom view.



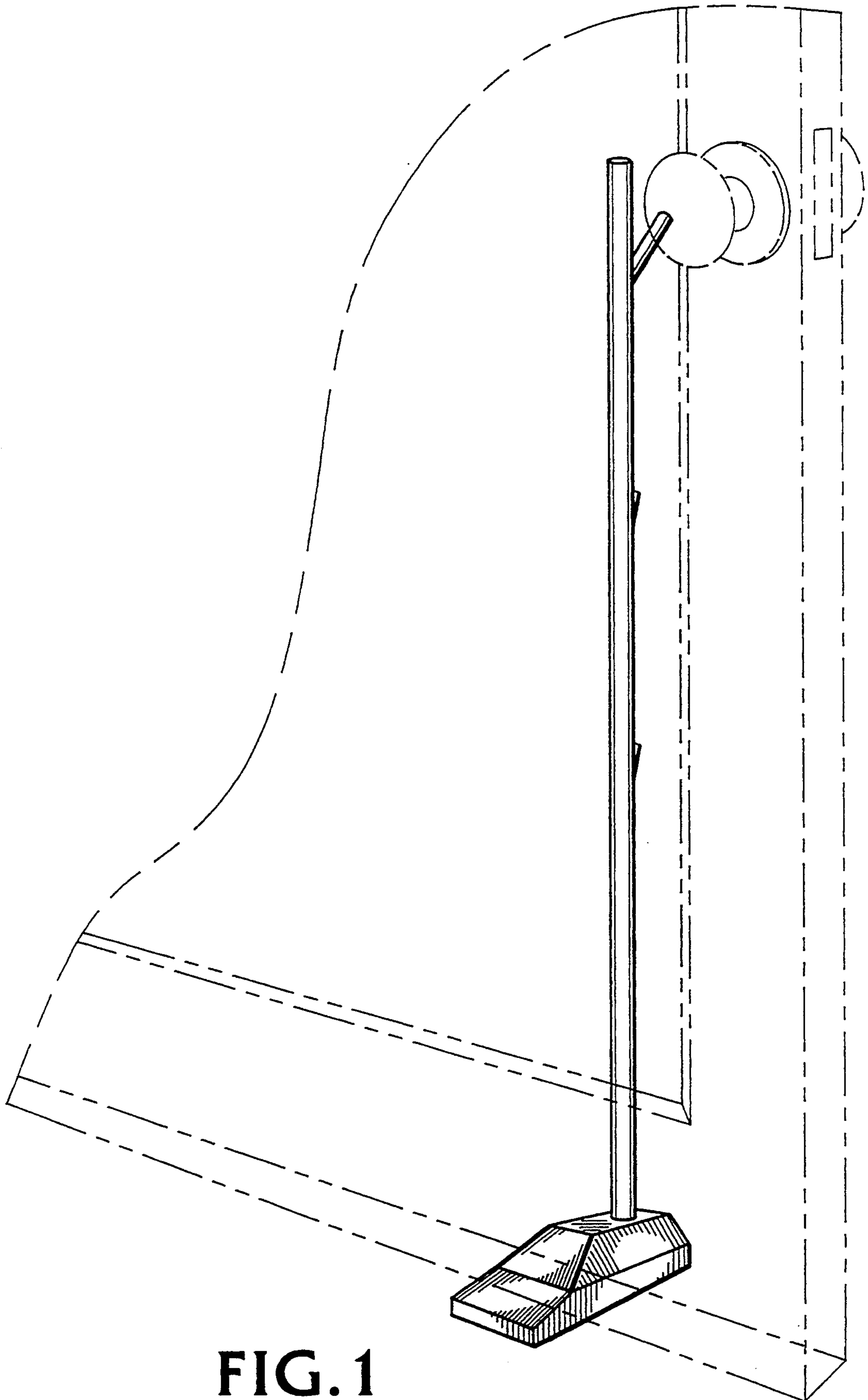


FIG. 1

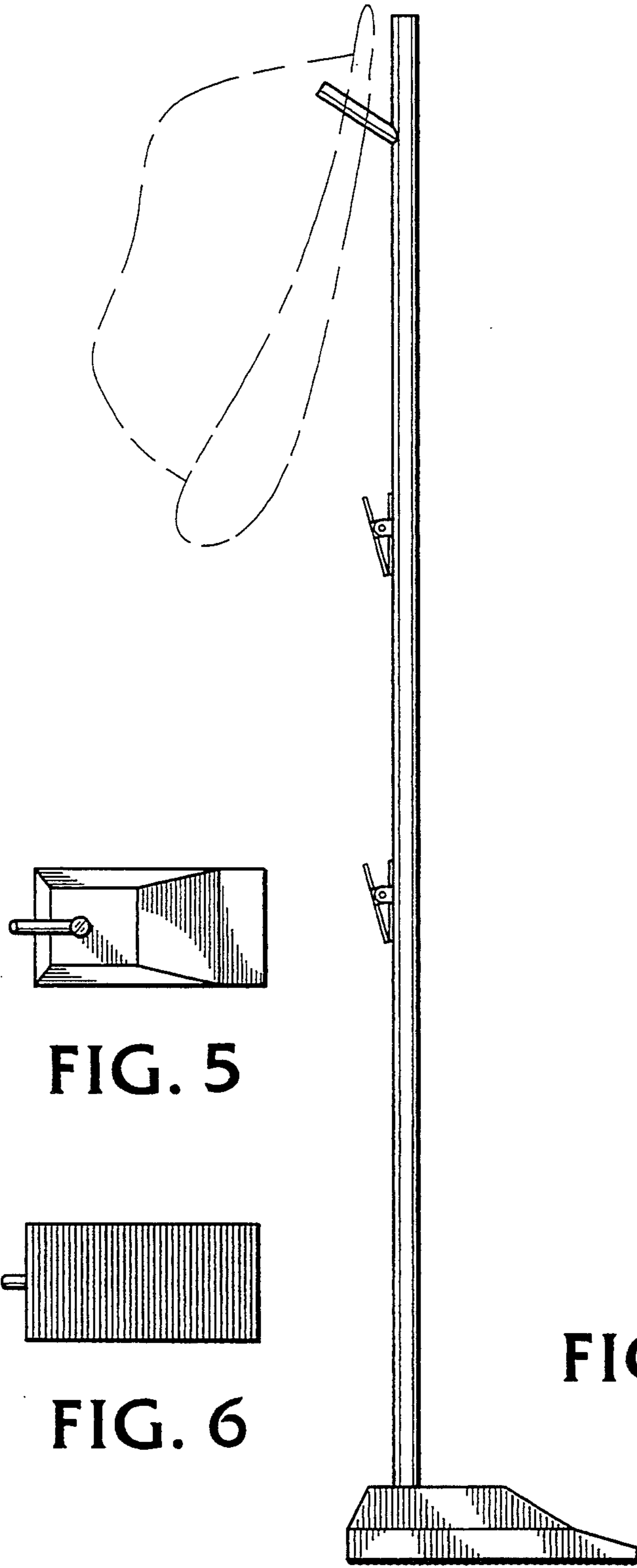


FIG. 5

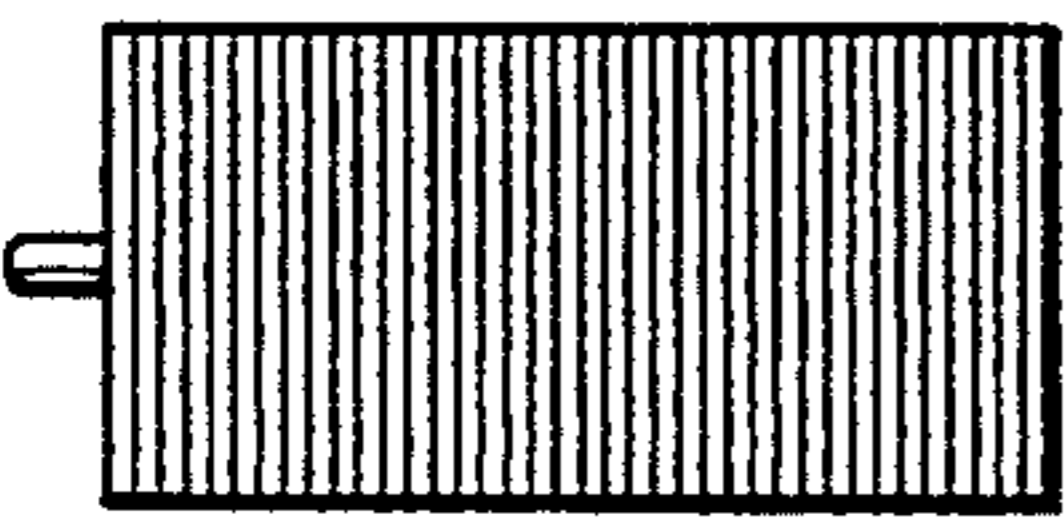


FIG. 6

FIG. 3

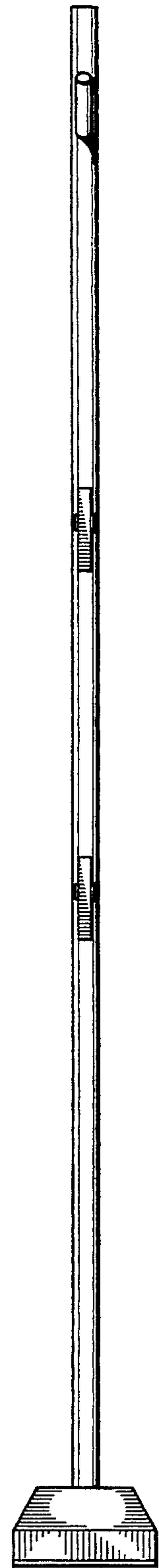
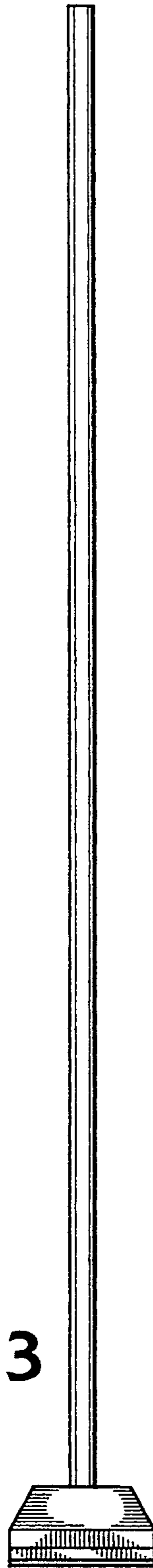


FIG. 4

FIG. 2