



US00D353532S

United States Patent [19]

[11] Patent Number: **Des. 353,532**

Miller

[45] Date of Patent: **** Dec. 20, 1994**

[54] **DEADBOLT LOCK**

Primary Examiner—Brian N. Vinson
Attorney, Agent, or Firm—Lowe, Price, LeBlanc & Becker

[76] Inventor: **J. Clayton Miller**, 5085 Danville Rd.,
Nicholasville, Ky. 40356

[57] **CLAIM**

[**] Term: **14 Years**

The ornamental design for a deadbolt lock, as shown and described.

[21] Appl. No.: **5,771**

DESCRIPTION

[22] Filed: **Mar. 11, 1993**

[52] U.S. Cl. **D8/341**

[58] Field of Search **D8/330-331,**
D8/339, 341

FIG. 1 is a left side elevational view of a deadbolt lock showing my new design, the broken-line disclosure of a combination lock dial and fragmentary panel being for illustrative purposes only and forming no part of the claimed design;

FIG. 2 is an enlarged front elevational view thereof;

FIG. 3 is an enlarged left side elevational view thereof;

FIG. 4 is an enlarged right side elevational view thereof;

FIG. 5 is an enlarged bottom plan view thereof;

FIG. 6 is an enlarged top plan view thereof;

FIG. 7 is an enlarged rear elevational view thereof; and,

FIG. 8 is an enlarged bottom, front, and left side perspective view thereof.

[56] **References Cited**

U.S. PATENT DOCUMENTS

D. 217,584	5/1970	Gervis	D8/341
D. 254,594	4/1980	Picard	D8/341
D. 285,772	9/1986	Oliver	D8/341
D. 297,109	8/1988	Christie	D8/341
1,359,347	11/1920	Fleisher	D8/341 X
3,760,619	9/1973	Colombo	70/104
4,067,212	1/1978	Vorob	70/103

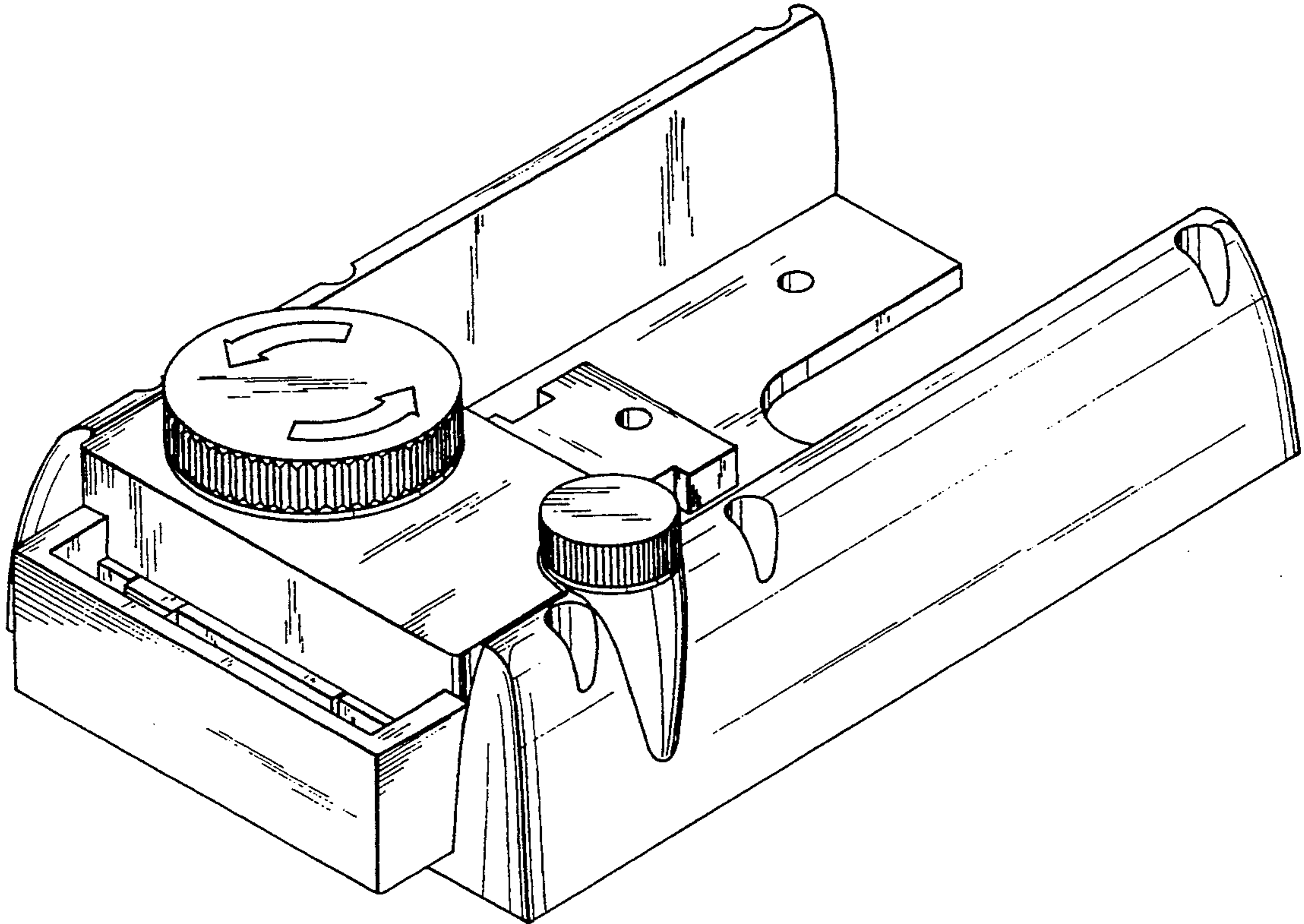


Fig. 1

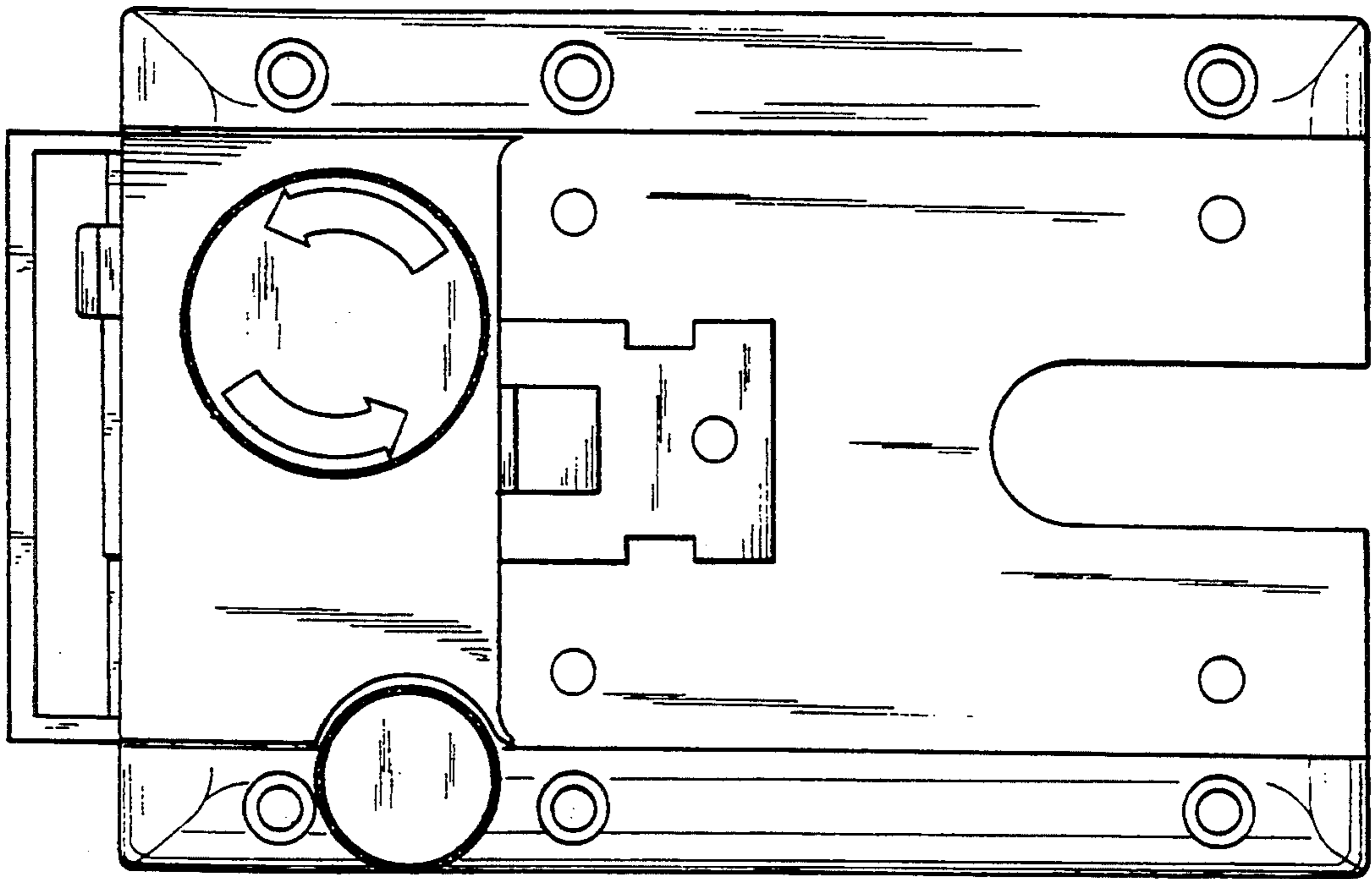
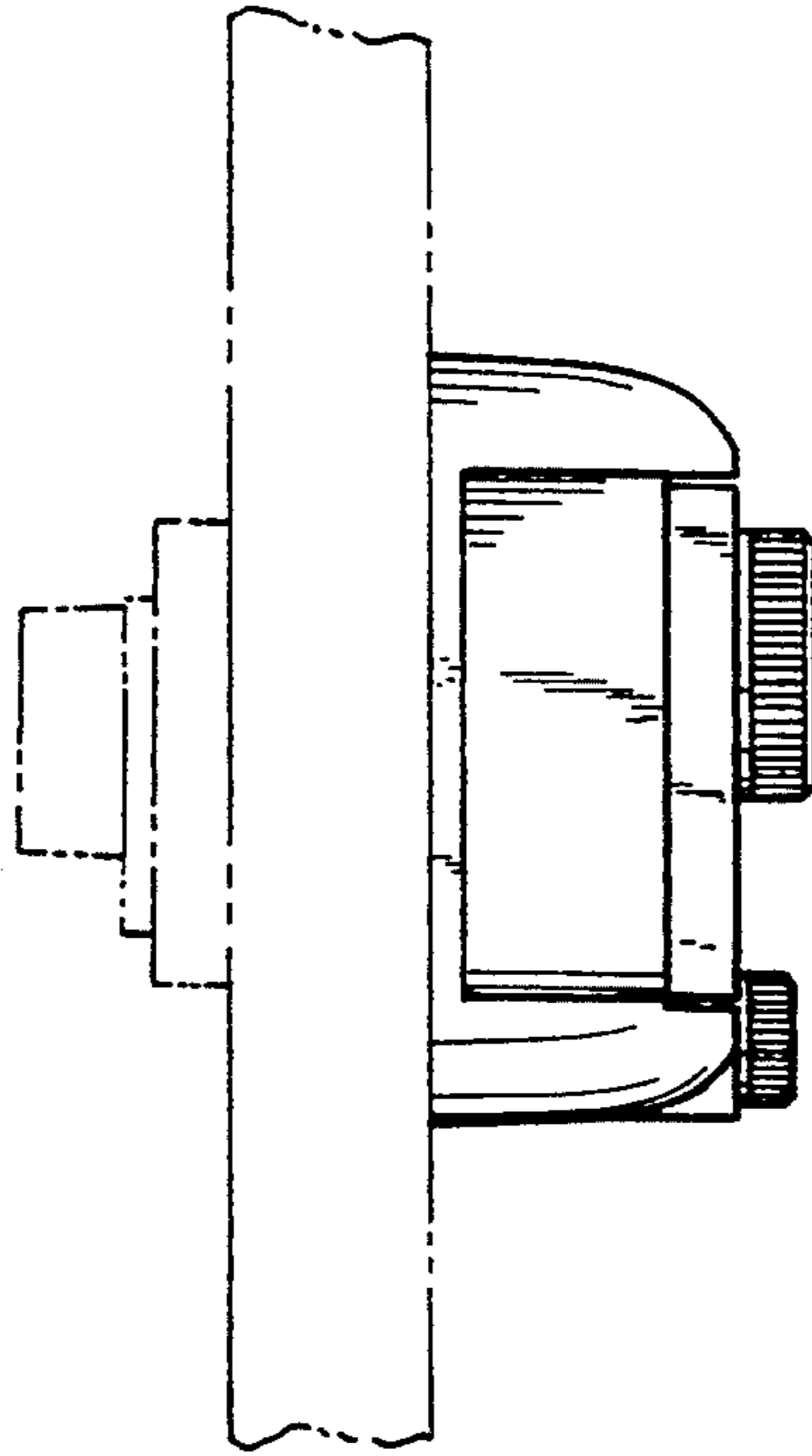


Fig. 2

Fig. 3

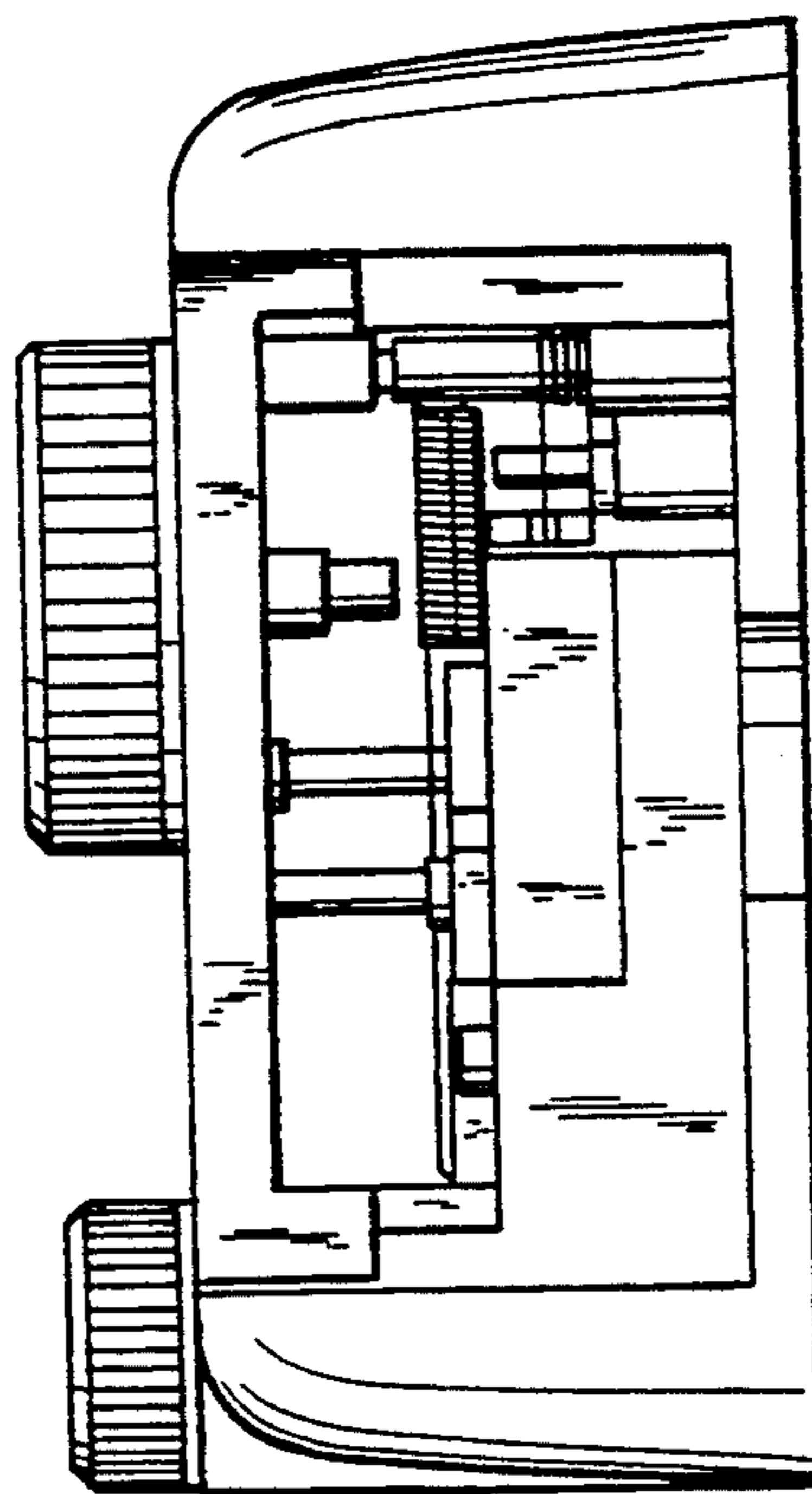
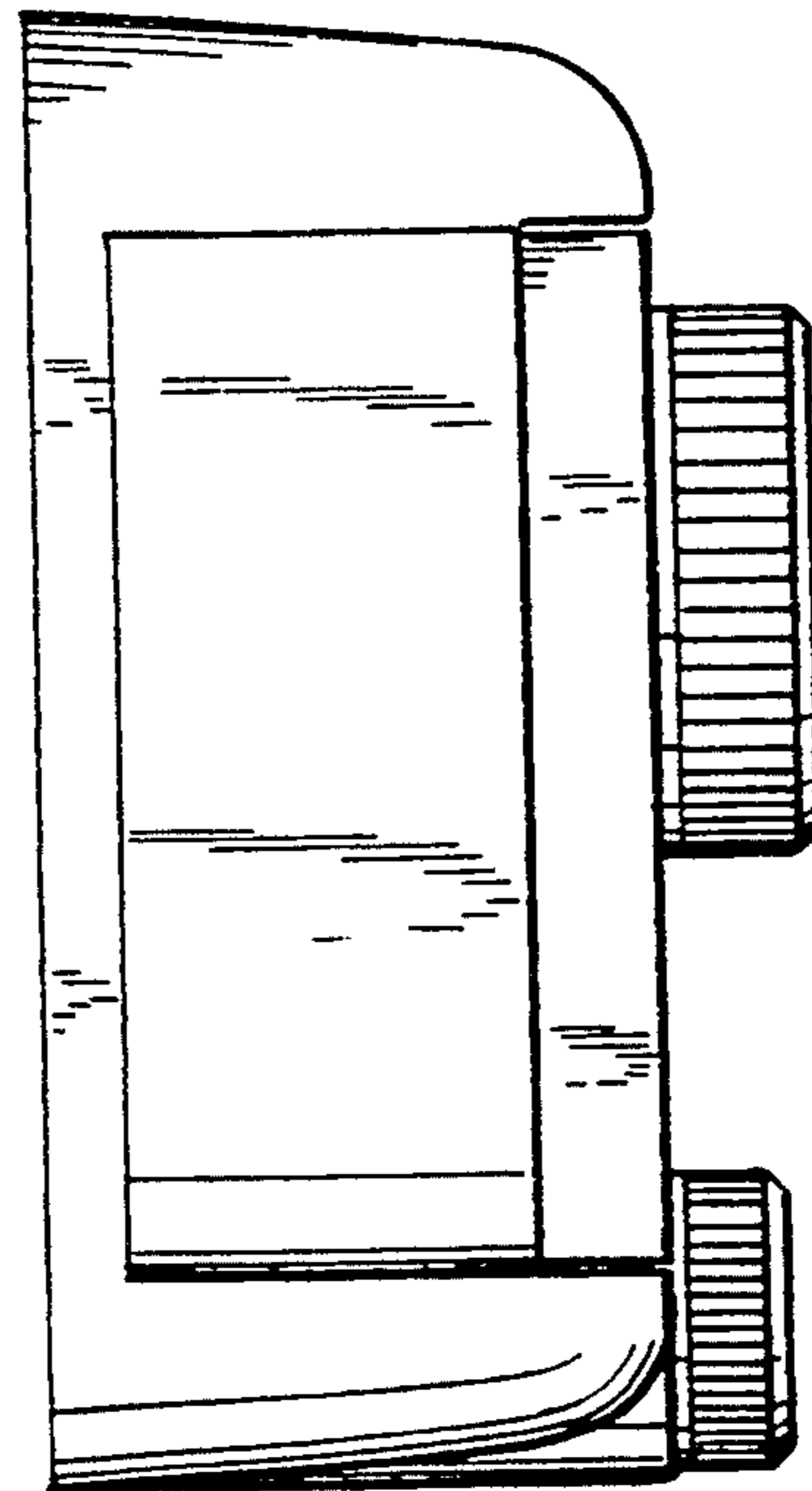


Fig. 4

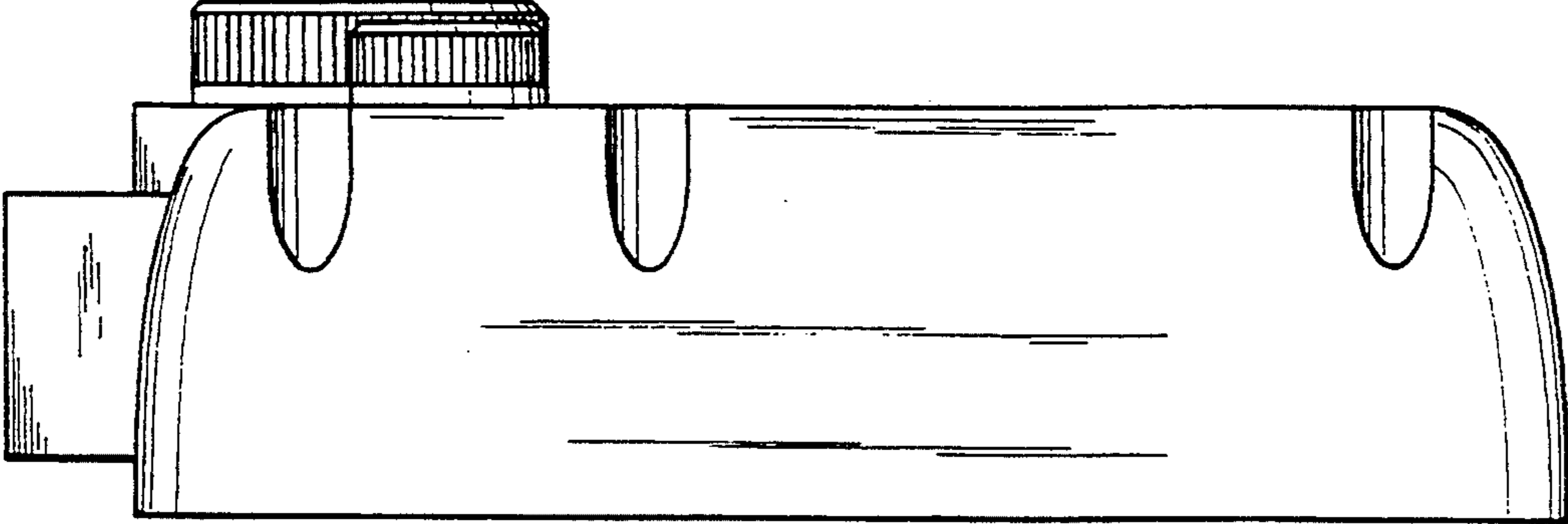


Fig. 5

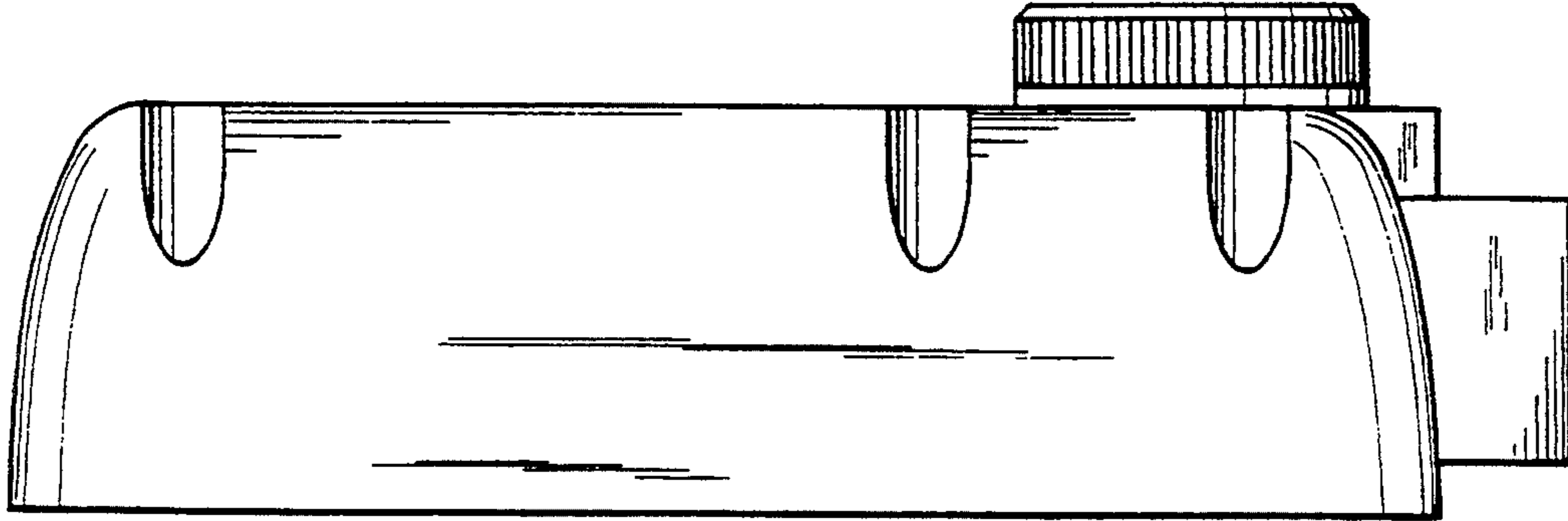


Fig. 6

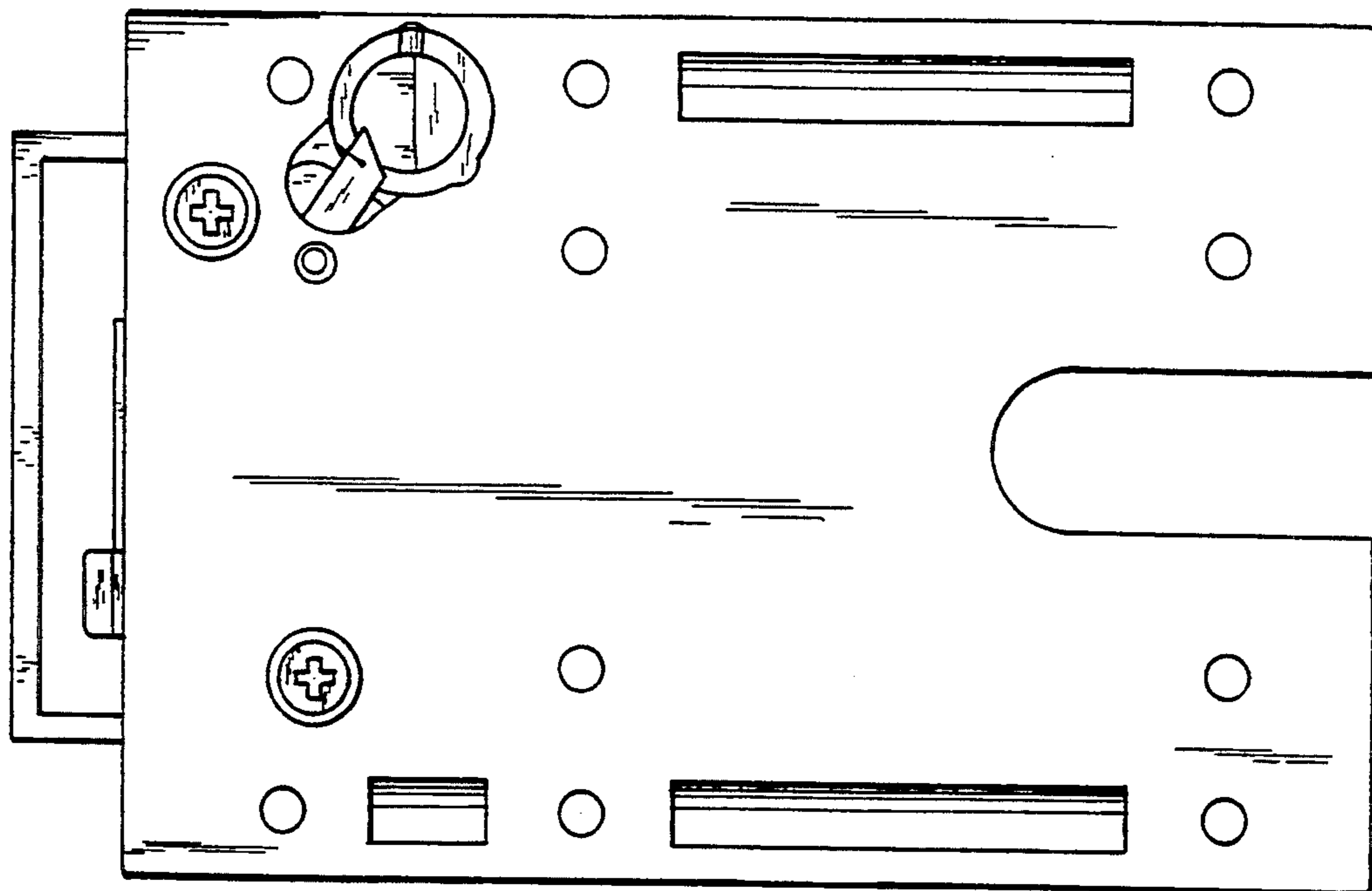


Fig. 7

