



US00D353531S

United States Patent [19]

[11] Patent Number: **Des. 353,531**

Kähönen

[45] Date of Patent: **** Dec. 20, 1994**

[54] **PADLOCK**

[75] Inventor: **Hannu O. Kähönen, Helsinki, Finland**

[73] Assignee: **Abloy Security Ltd. Oy, Helsinki, Finland**

[**] Term: **14 Years**

[21] Appl. No.: **11,228**

[22] Filed: **Jul. 30, 1993**

[30] **Foreign Application Priority Data**

Feb. 3, 1993 [FI] Finland 64/93

[52] U.S. Cl. **D8/334**

[58] Field of Search D8/333-334;
70/14, 20, 31, 35, 41-43, 57-58, 55

[56] **References Cited**

U.S. PATENT DOCUMENTS

D. 53,141 3/1919 Stone D8/334
D. 115,761 7/1939 Fram D8/334

D. 137,277 2/1944 Muller-Munk D8/334
D. 240,590 7/1976 Meisner D8/334
D. 315,090 3/1991 Pedersen D8/334
4,286,445 9/1981 Sils 70/55
5,156,029 10/1992 Heald 70/55

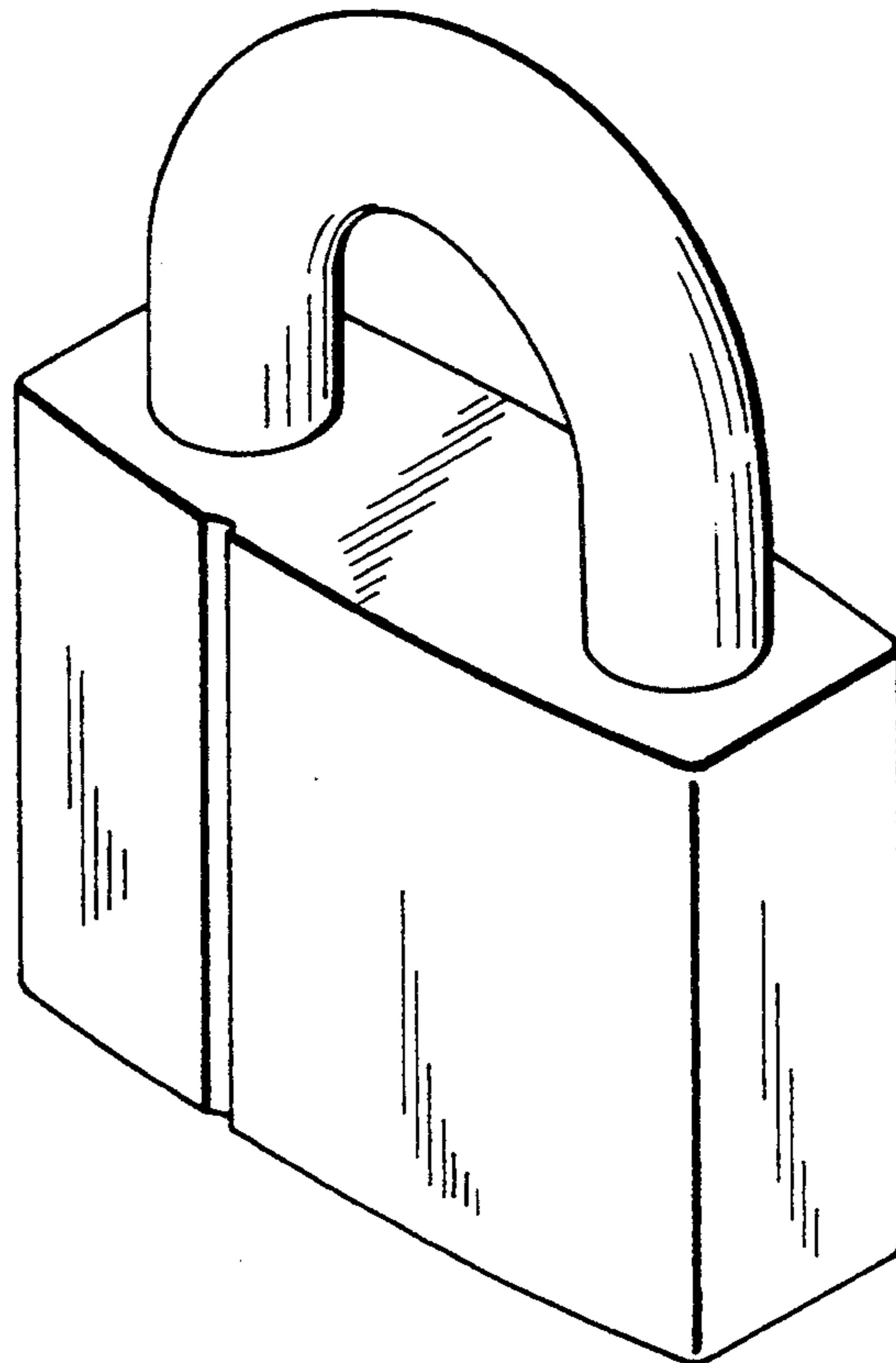
Primary Examiner—Brian N. Vinson
Attorney, Agent, or Firm—Smith, Hill and Bedell

[57] **CLAIM**

The ornamental design for a padlock, as shown and described.

DESCRIPTION

FIG. 1 is a top, front, and left side perspective view of a padlock showing my new design;
FIG. 2 is a front elevational view thereof, the rear elevational view being identical to the front elevational view;
FIG. 3 is a right side elevational view thereof, the left side being a mirror image of that shown;
FIG. 4 is a top plan view thereof; and,
FIG. 5 is a bottom plan view thereof.



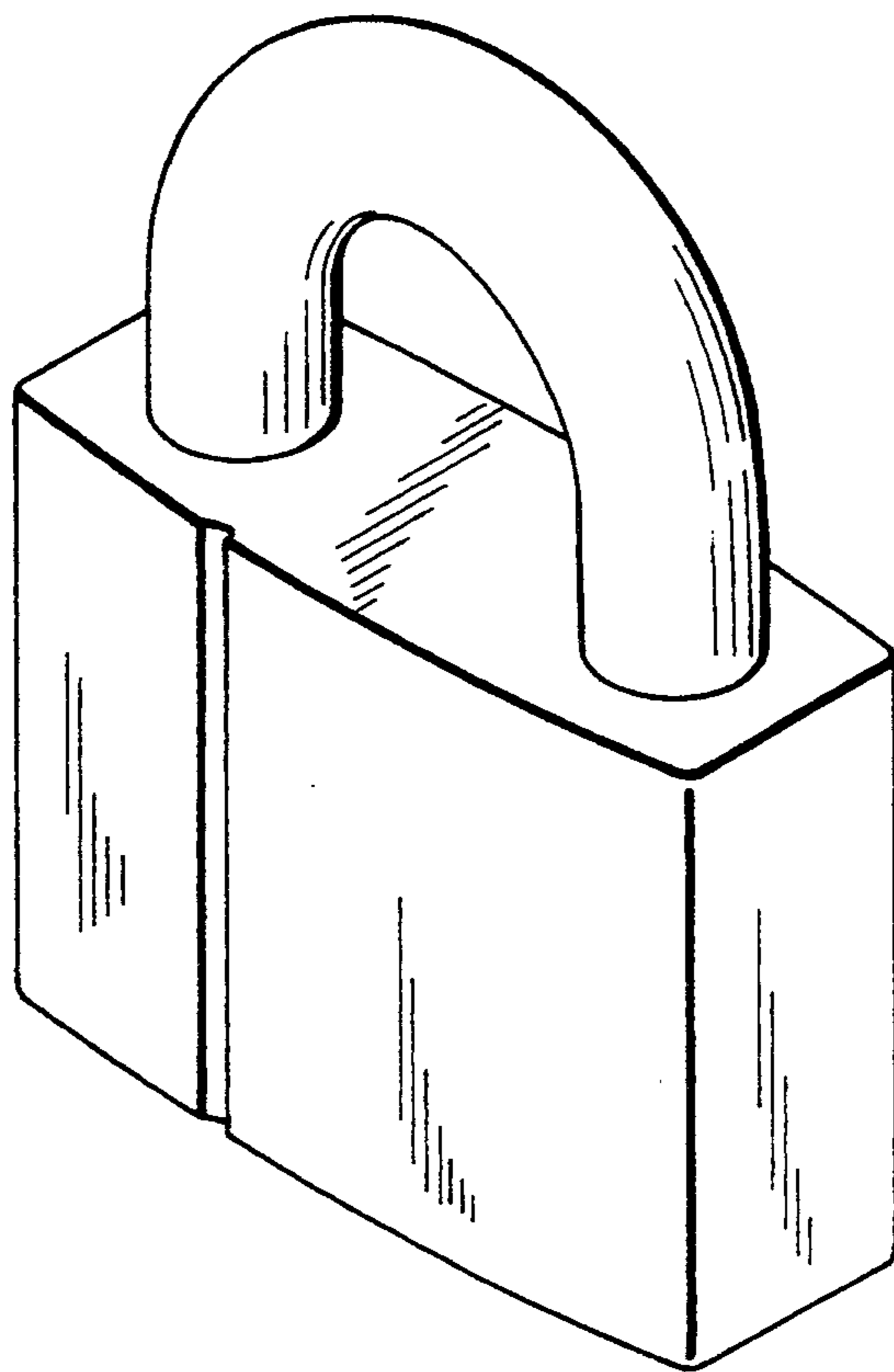


Fig. 1

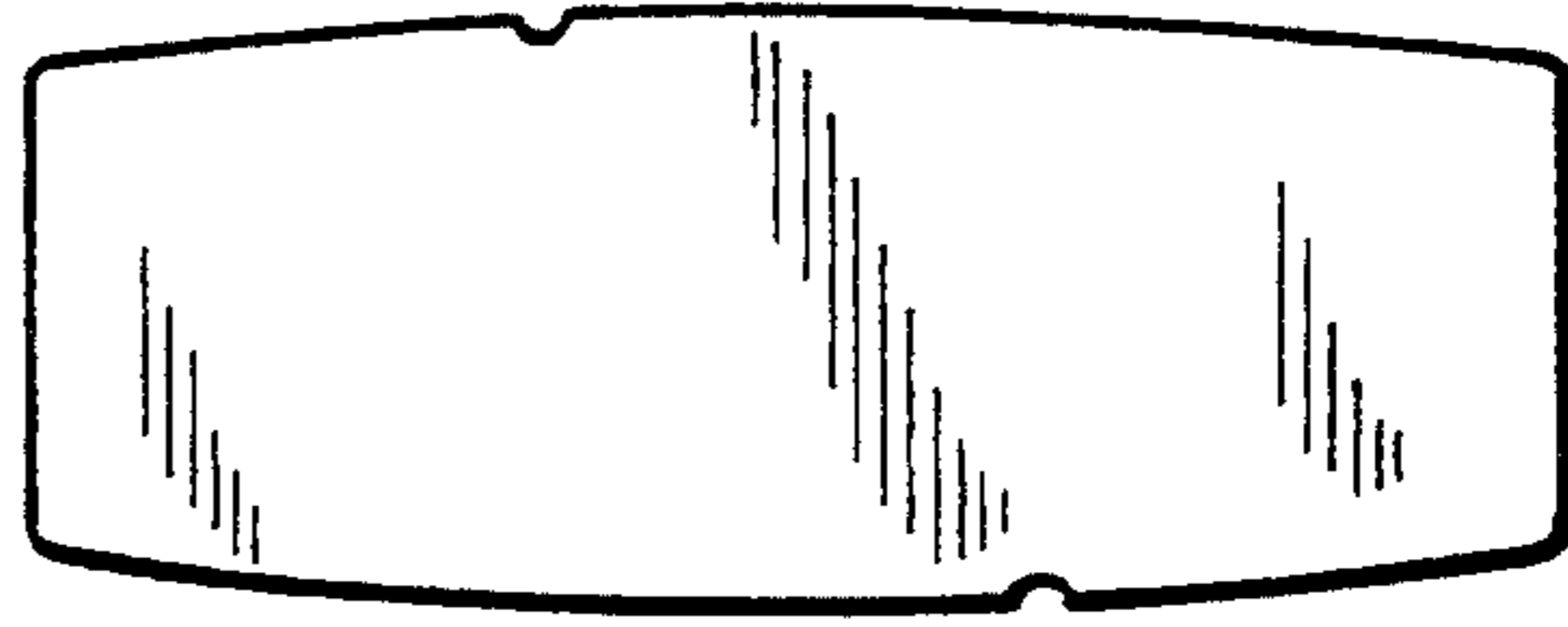


Fig. 5

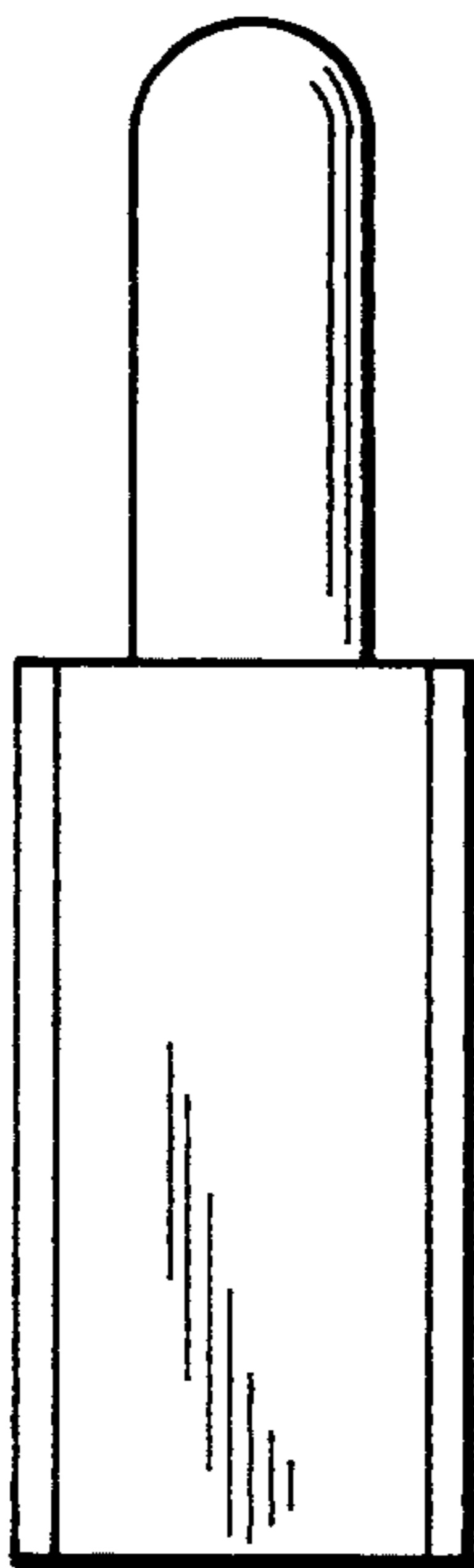


Fig. 3

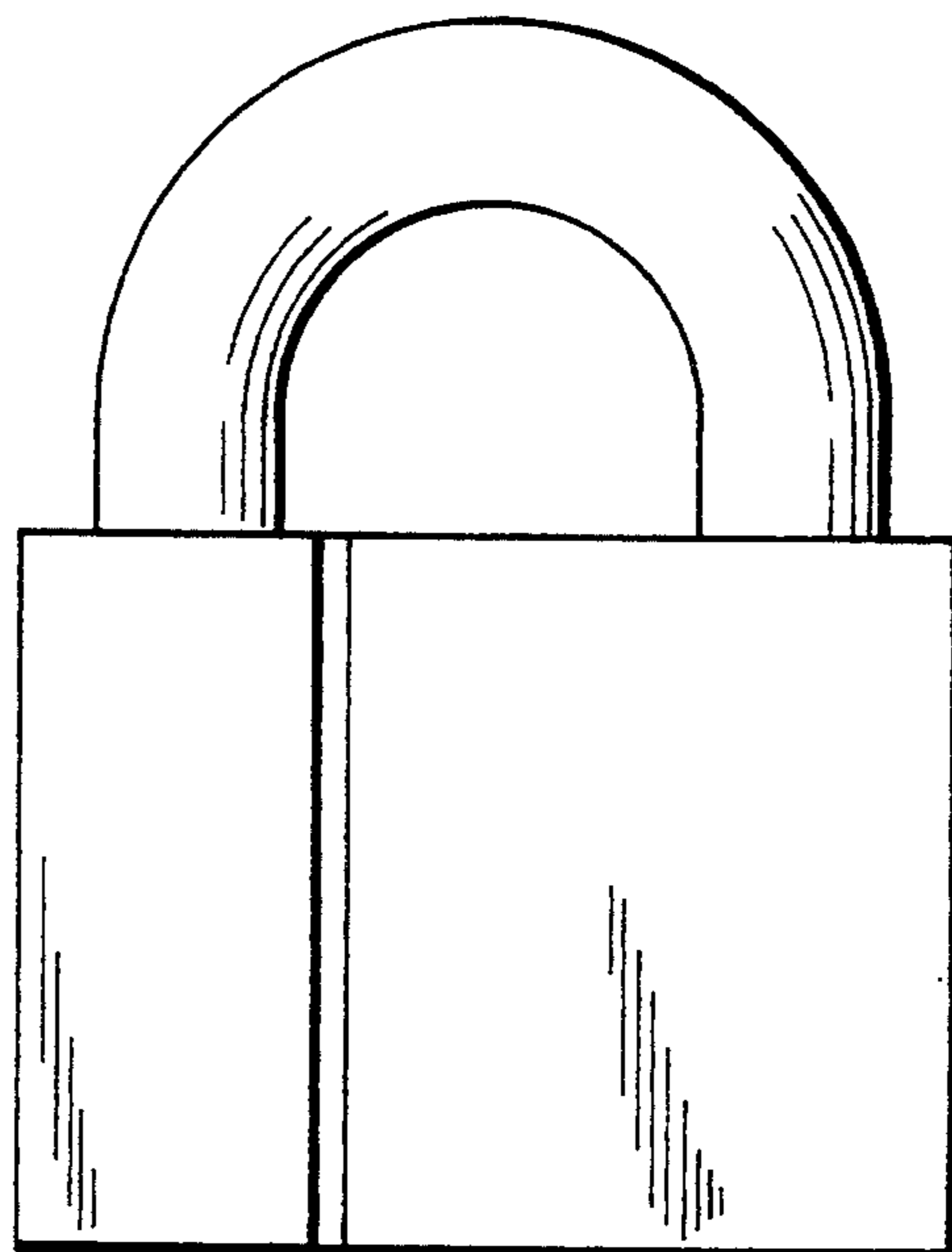


Fig. 2

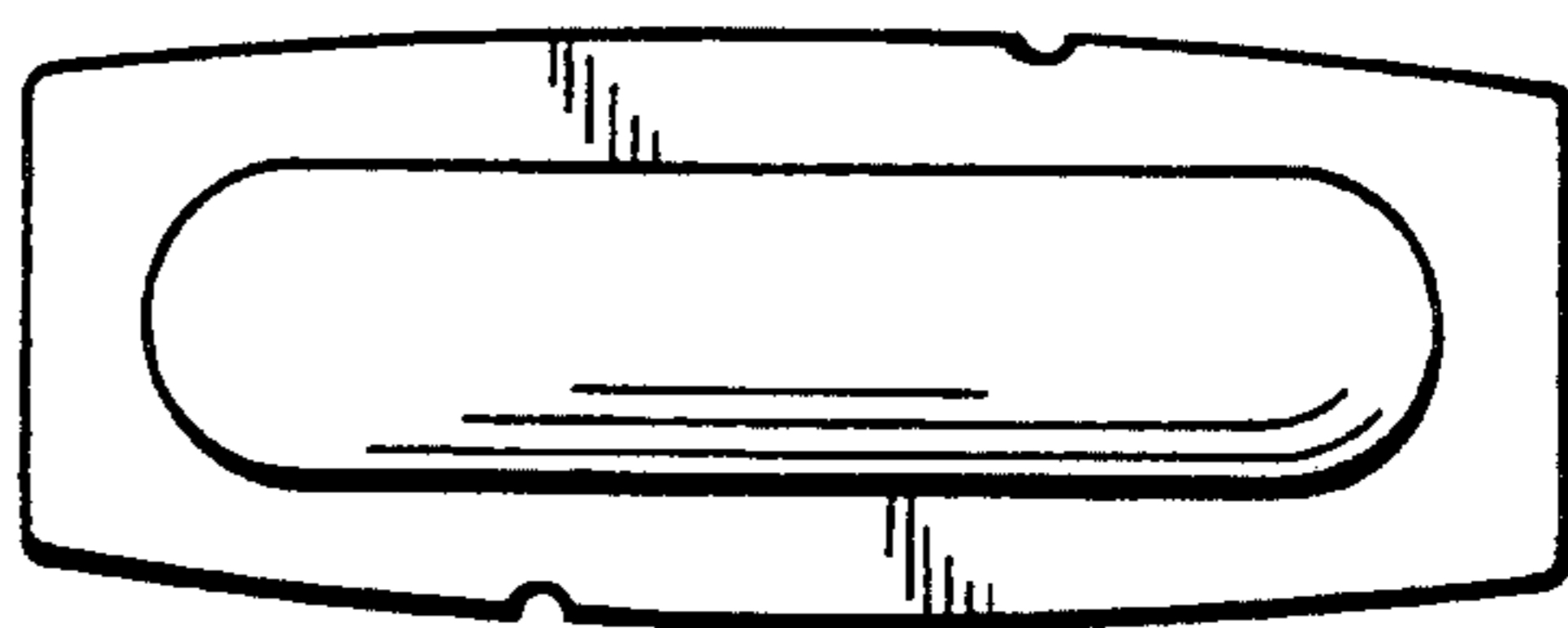


Fig. 4