



US00D353528S

United States Patent [19]

[11] Patent Number: **Des. 353,528**

Glass

[45] Date of Patent: **** Dec. 20, 1994**

[54] **COIN ROLL OPENER**

[76] Inventor: **Marne A. Glass**, 9210 Whitney Way,
Cypress, Calif. 90630

[**] Term: **14 Years**

[21] Appl. No.: **11,843**

[22] Filed: **Aug. 16, 1993**

[52] U.S. Cl. **D8/98**

[58] Field of Search **D8/14, 51, 98; 30/90.6,**
30/90.7, 92.5, 124, 2, 294, 296

4,106,196 8/1978 Smithline 30/294
4,382,330 5/1983 Harbaugh 30/294

Primary Examiner—Bernard Ansher
Assistant Examiner—Philip Hyder
Attorney, Agent, or Firm—Walter A. Hackler

[57] CLAIM

The ornamental design for a coil roll opener, as shown and described.

DESCRIPTION

FIG. 1 is a perspective view of the right side, top and front of the present design;
FIG. 2 is a perspective view of the left side, bottom and back of the present design;
FIG. 3 is a front view of the present design;
FIG. 4 is a rear view of the present design;
FIG. 5 is a top view of the present design;
FIG. 6 is a bottom view of the present design, and,
FIG. 7 is a side view of the present design.

[56] **References Cited**
U.S. PATENT DOCUMENTS

D. 34,236	3/1901	Herndon	D8/98
D. 237,249	10/1975	Gendron	D8/98
D. 254,243	2/1980	Florian et al.	D8/98
D. 308,811	6/1990	Hochfeld et al.	D8/98
D. 339,511	9/1993	Patterson	D8/98
4,001,934	1/1977	Bell	30/294

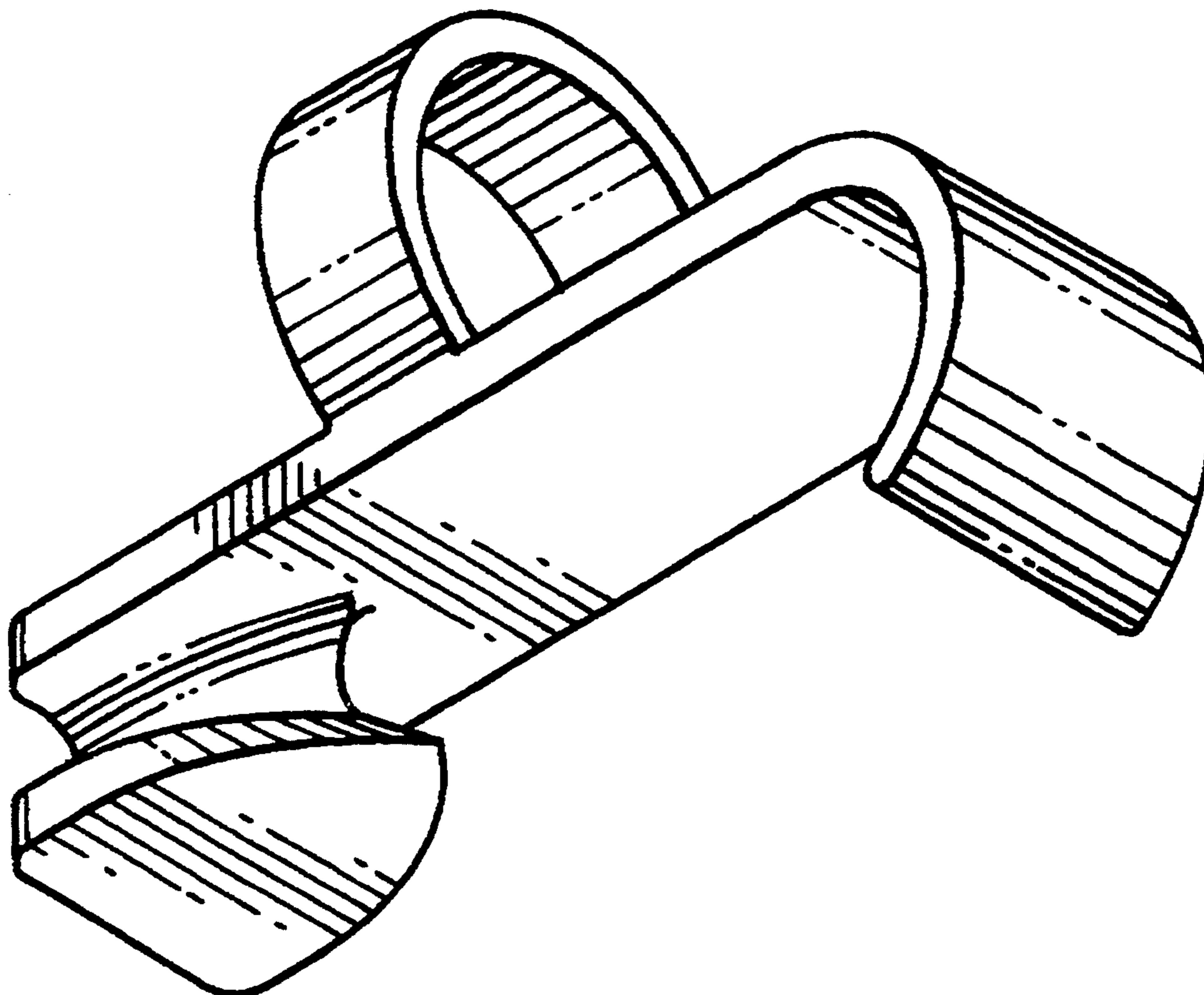


FIG. 1.

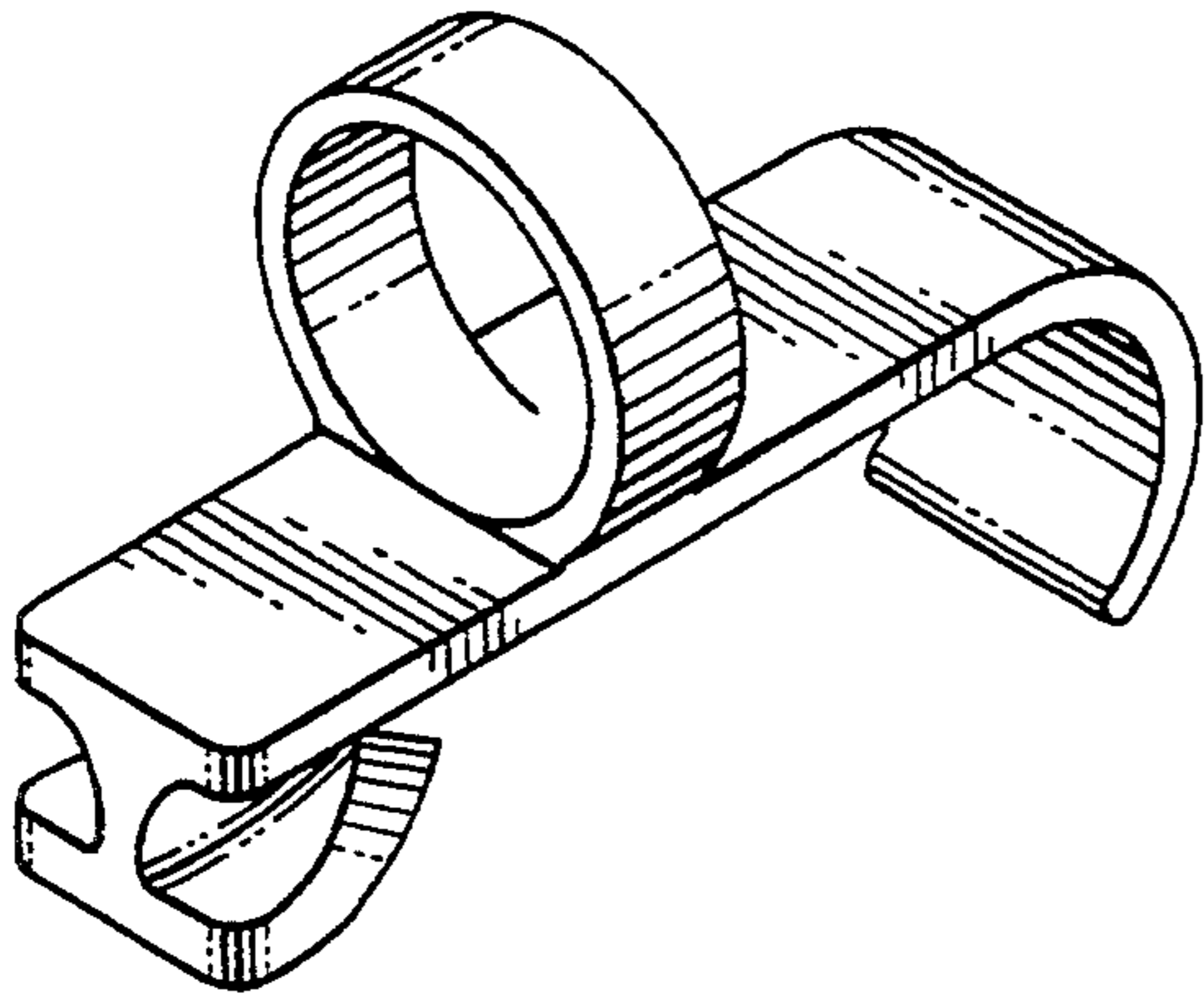


FIG. 2.

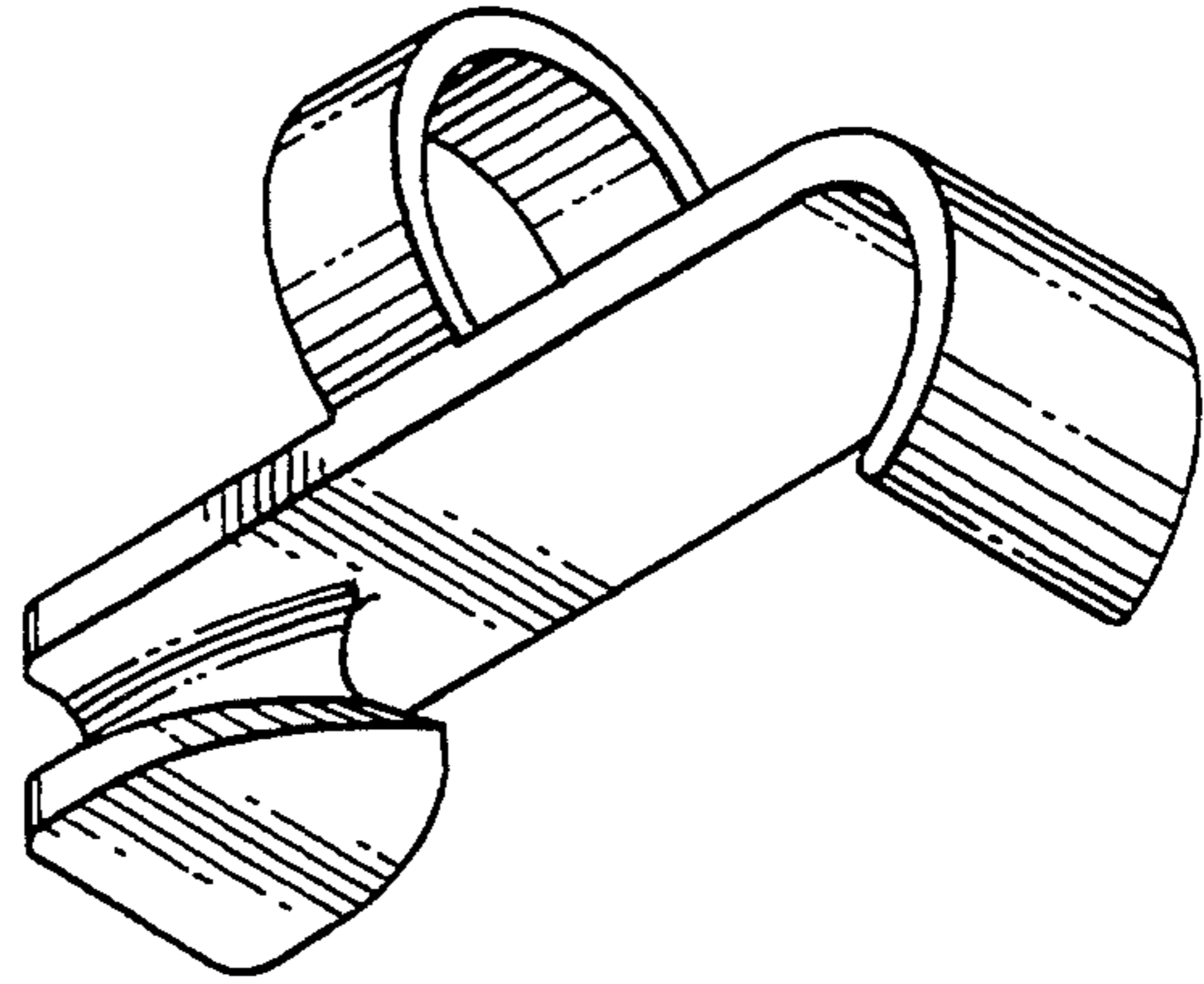


FIG. 3.

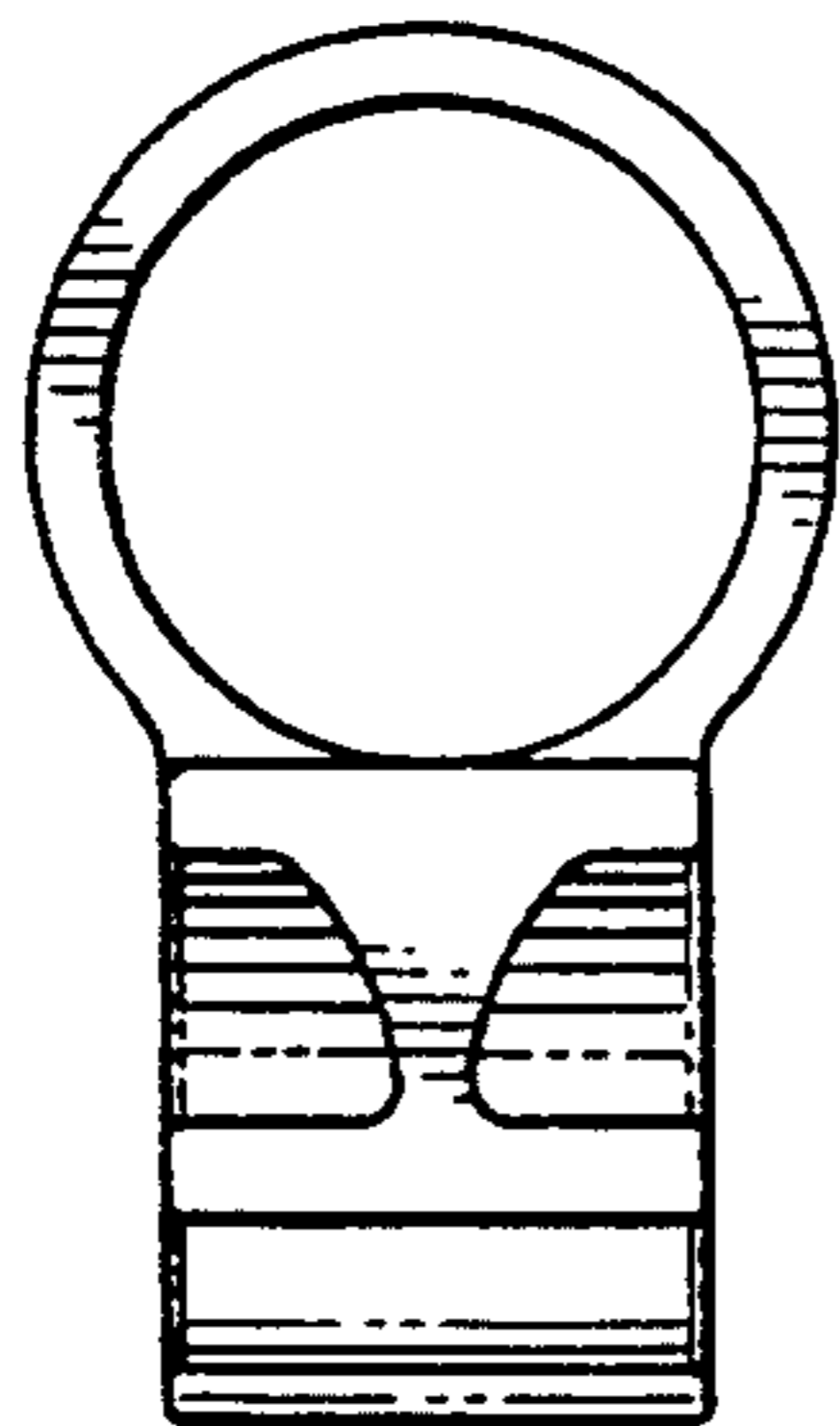


FIG. 4.

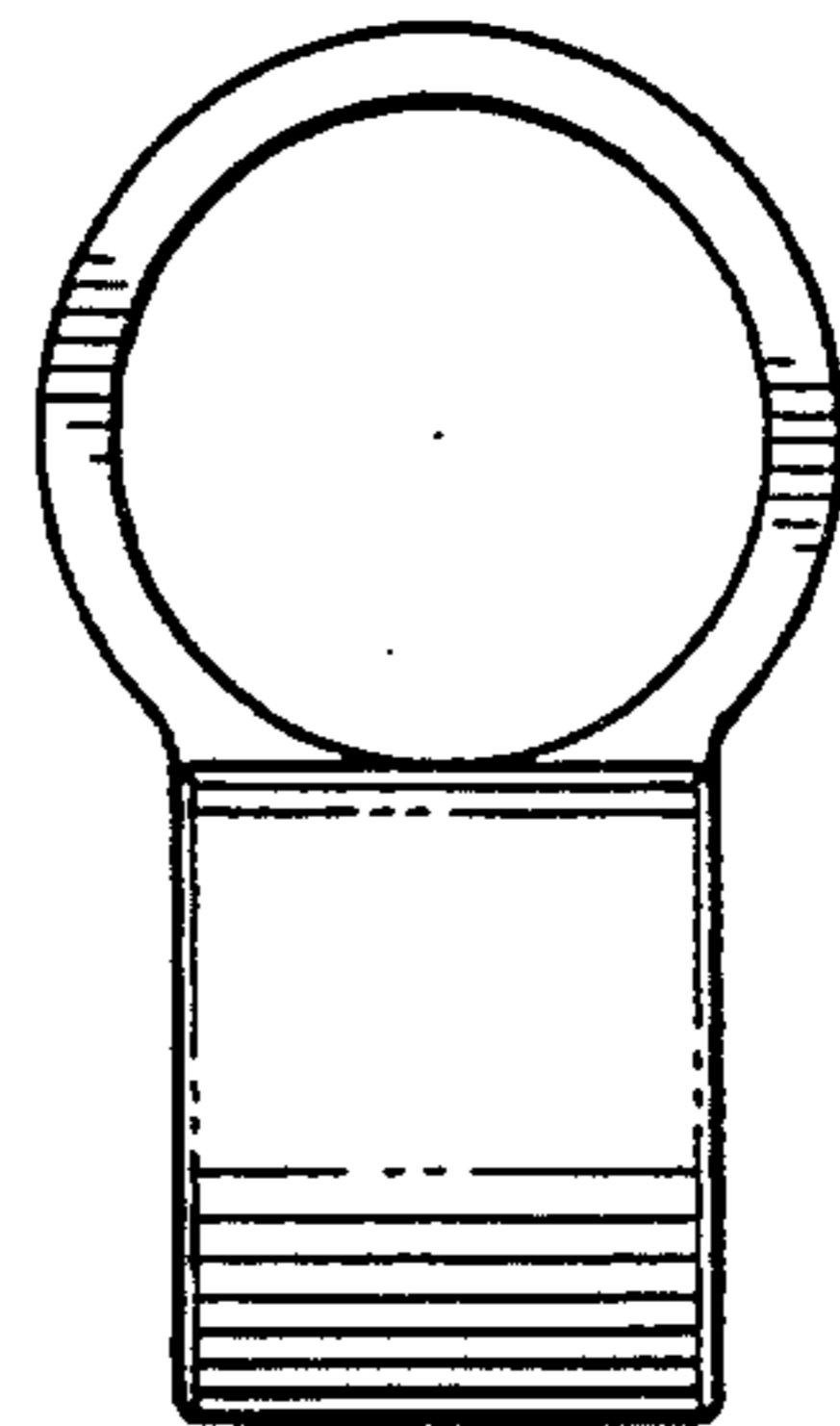


FIG. 5.

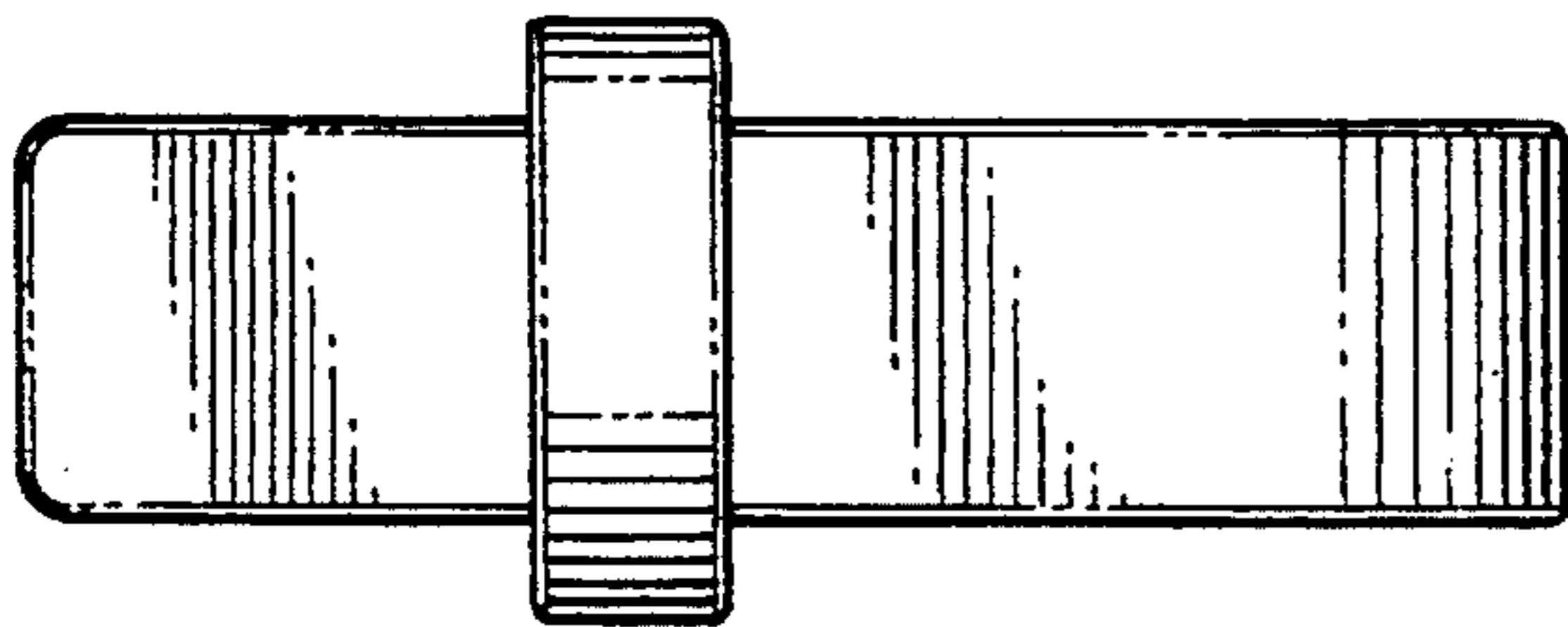


FIG. 7.

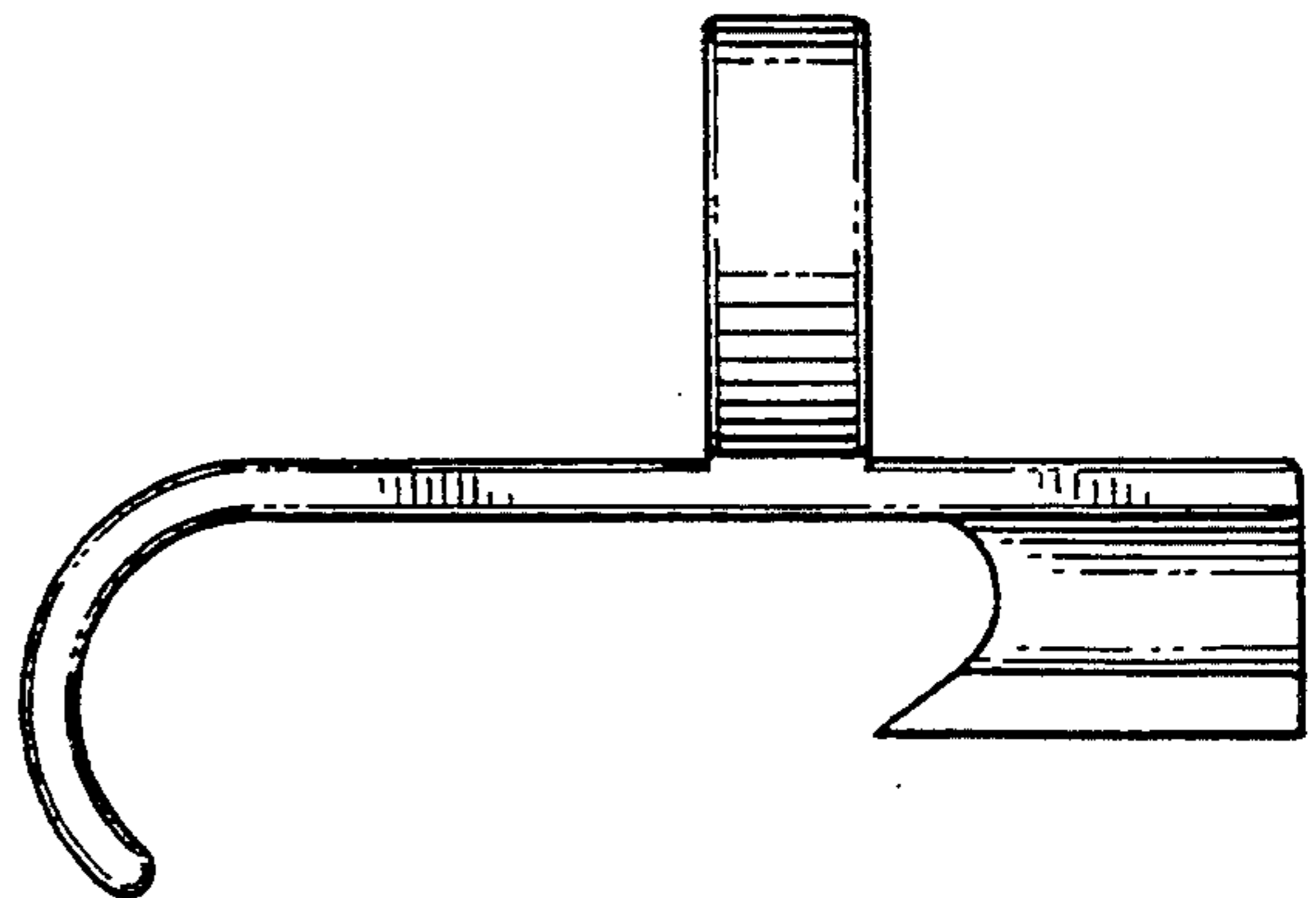


FIG. 6.

