



US00D353527S

United States Patent [19] Drake

[11] Patent Number: **Des. 353,527**

[45] Date of Patent: **** Dec. 20, 1994**

[54] LUG WRENCH SUPPORT

4,660,447 4/1987 Rossi 81/462
5,050,330 9/1991 Pilgrim et al. 211/64

[76] Inventor: **Oldrich Drake**, 1530 W. Townley Ave., Phoenix, Ariz. 85021

FOREIGN PATENT DOCUMENTS

[**] Term: **14 Years**

2501336 7/1976 Germany .
2517934 11/1976 Germany .
2733183 2/1979 Germany .

[21] Appl. No.: **13,473**

Primary Examiner—Alan P. Douglas
Assistant Examiner—Jeffrey H. Musgrove
Attorney, Agent, or Firm—Warren F. B. Lindsley

[22] Filed: **Sep. 24, 1993**

[52] U.S. Cl. **D8/71**

[58] Field of Search **D8/71; 211/64, 70.1; 248/174, 176, 152, 125; 81/462, 52, 54; D19/85; D34/31**

[57] CLAIM

The ornamental design for a lug wrench support, as shown and described.

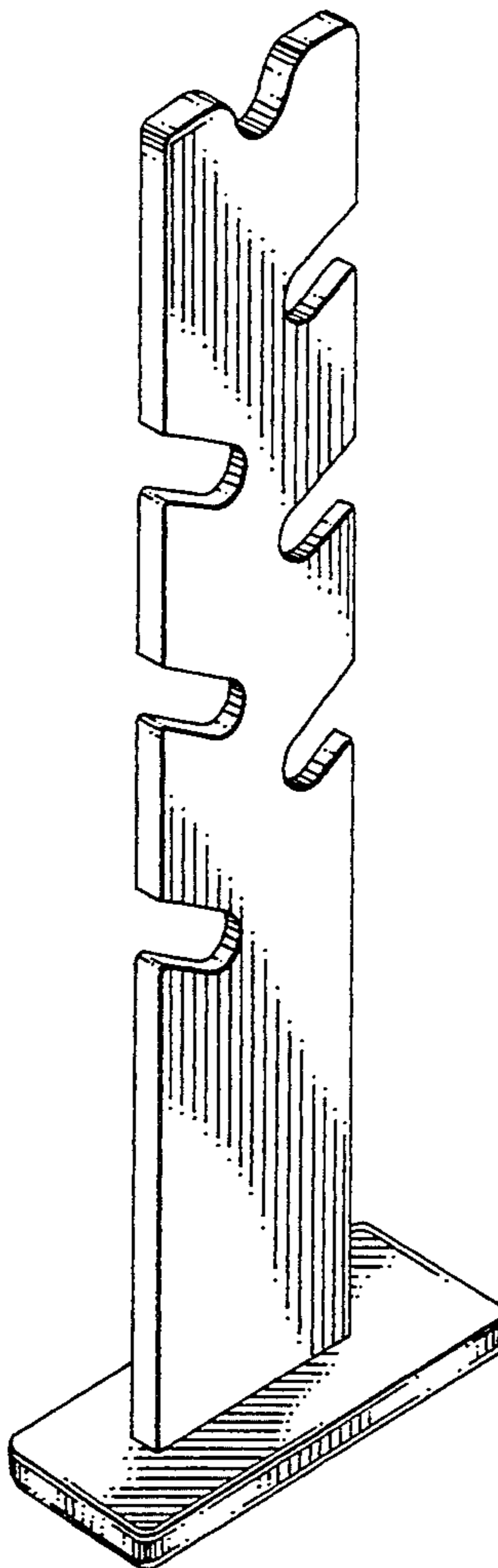
[56] References Cited

U.S. PATENT DOCUMENTS

D. 180,106	4/1957	Selfert	D8/71
D. 256,661	9/1980	Graham	D8/71
D. 287,179	12/1986	Kuykehdall	D34/31
D. 333,769	3/1993	Jureckson	D8/71
D. 340,071	10/1993	Sun	D19/85
D. 343,106	1/1994	Eklind et al.	D19/85
3,288,304	11/1966	Graves	211/64
4,619,161	10/1986	Reynolds	81/462

DESCRIPTION

FIG. 1 is a perspective view of the top front and left side view of a lug wrench support and embodying the invention;
FIG. 2 is a left side view of FIG. 1;
FIG. 3 is a right side view of FIG. 1;
FIG. 4 is a back view of FIG. 1;
FIG. 5 is a top view of FIG. 1; and,
FIG. 6 is a bottom view of FIG. 1.



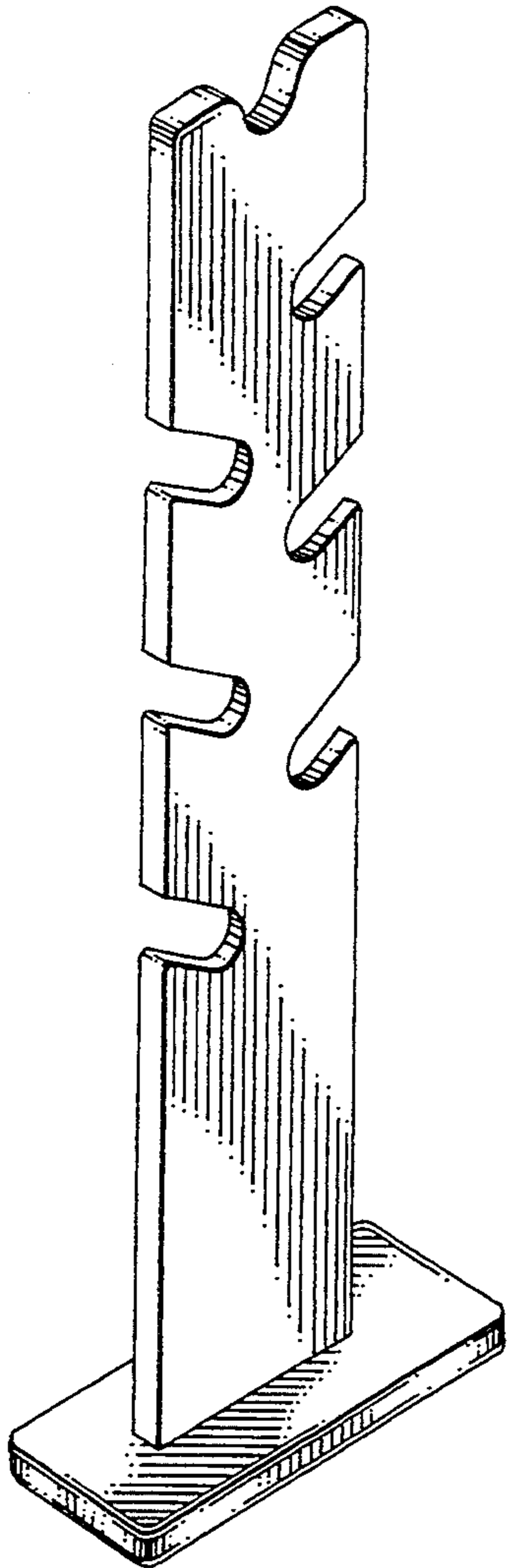


FIG. 1

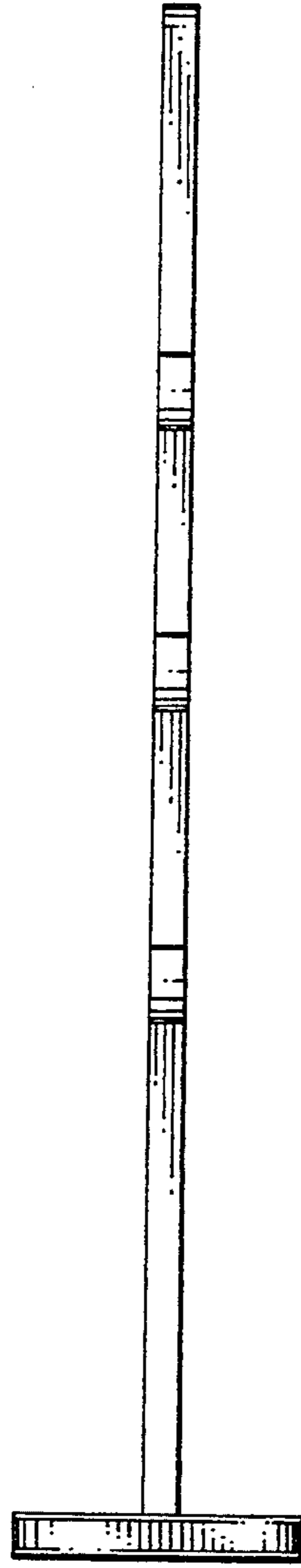


FIG. 2

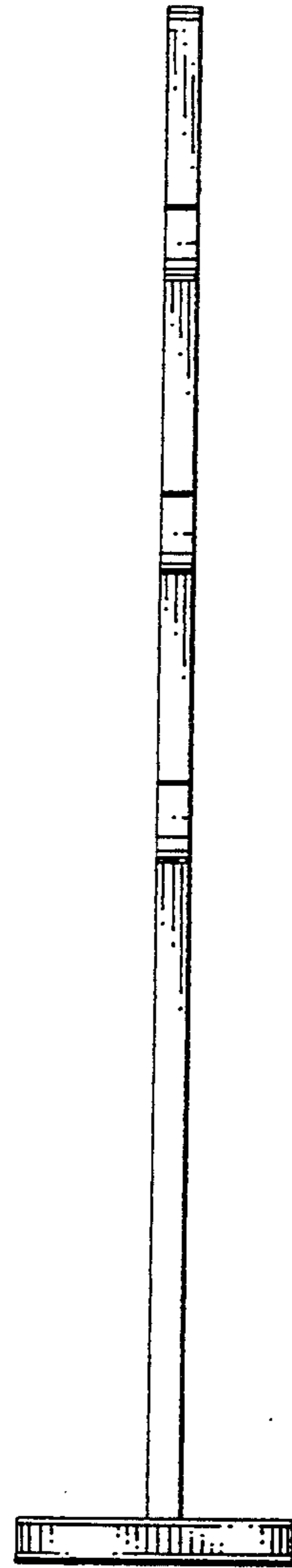


FIG. 3

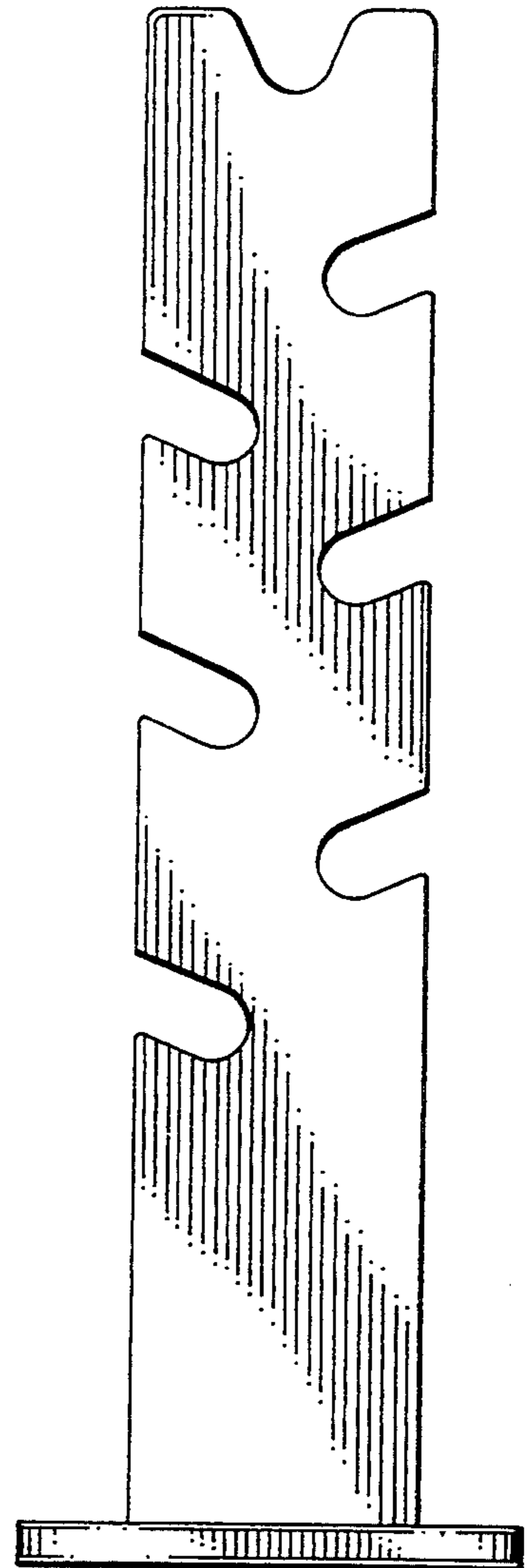


FIG. 4

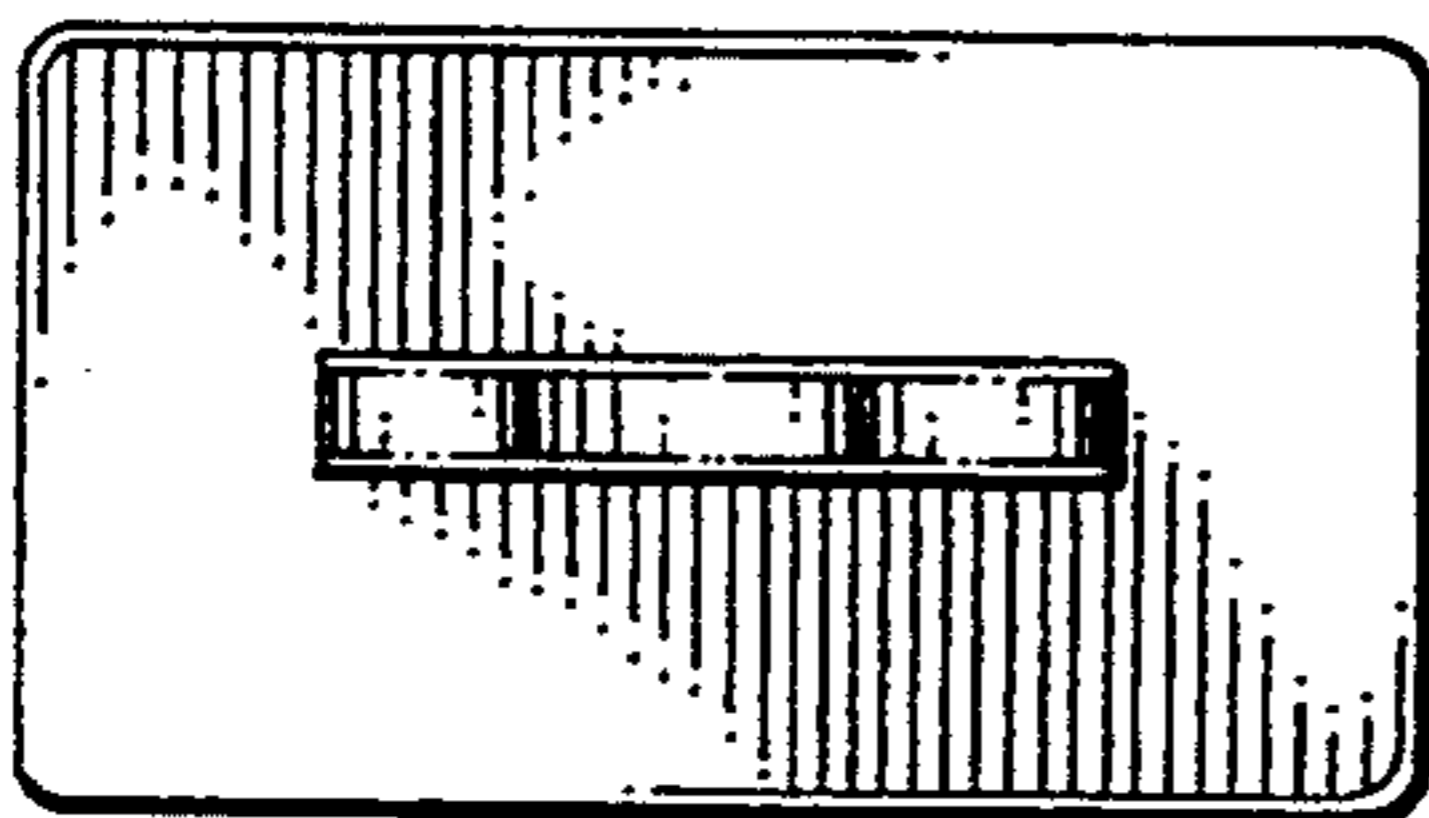


FIG. 5

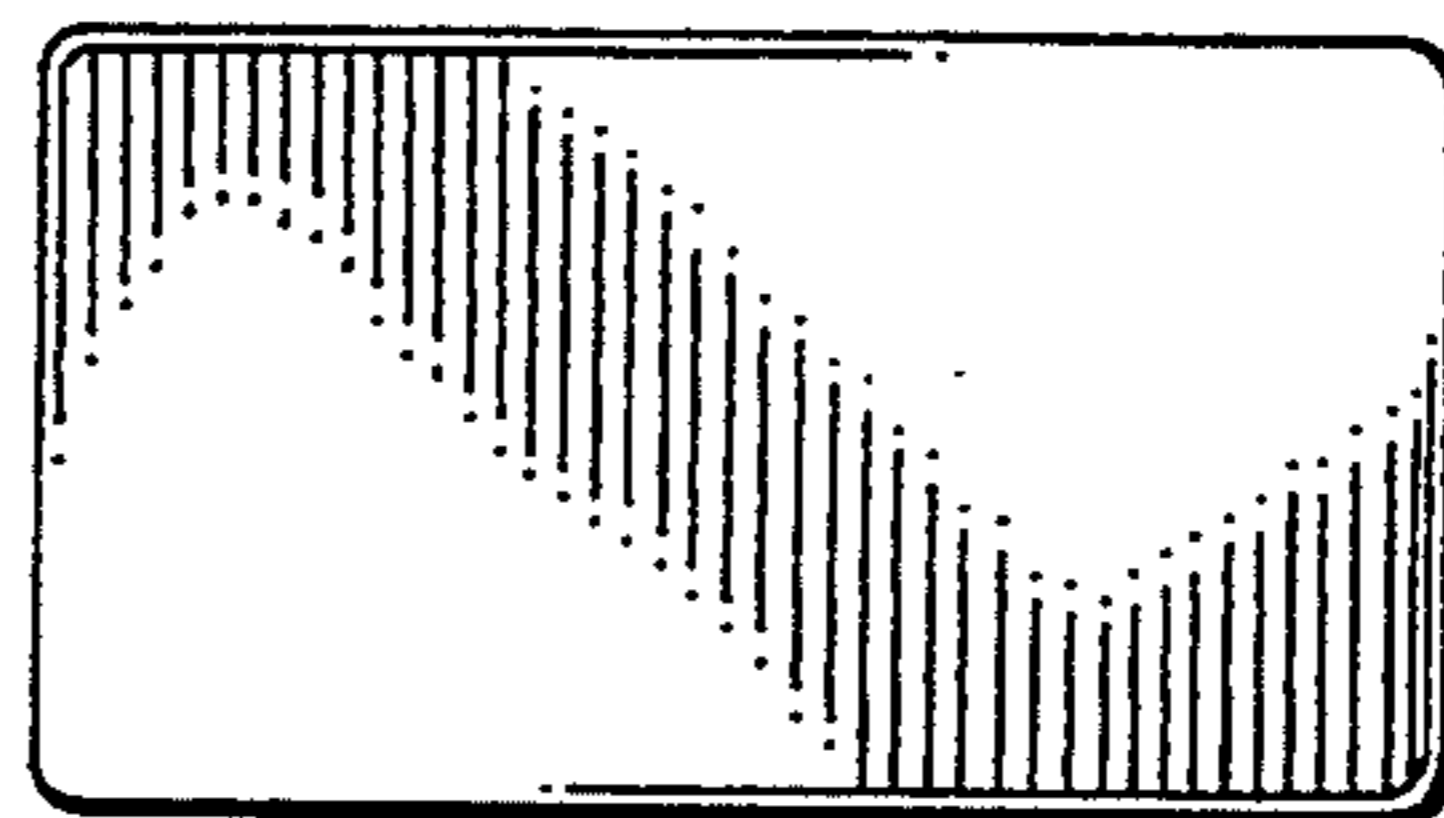


FIG. 6