



US00D353526S

United States Patent [19]

[11] Patent Number: **Des. 353,526**

Hoshino

[45] Date of Patent: **** Dec. 20, 1994**

[54] SINGLE REDUCTION DRILL

D. 328,411 8/1992 Cavedo .

[75] Inventor: **Kiyoshi Hoshino**, Yokohama, Japan

D. 333,080 2/1993 Fushiya et al. .

D. 339,727 9/1993 Kikuchi D8/68

[73] Assignee: **Ryobi Motor Products**, Easley, S.C.

Primary Examiner—Alan P. Douglas

Assistant Examiner—Jeffry H. Musgrove

[**] Term: **14 Years**

Attorney, Agent, or Firm—Brooks & Kushman

[21] Appl. No.: **6,710**

[57] **CLAIM**

[22] Filed: **Apr. 5, 1993**

The ornamental design of a single reduction drill, as shown and described.

[52] U.S. Cl. **D8/68**

[58] Field of Search D8/61, 68; 81/57, 57.11, 81/57.14; 173/170; 408/124, 125

DESCRIPTION

[56] **References Cited**

U.S. PATENT DOCUMENTS

D. 256,771 9/1980 Kitagawa et al. .

D. 304,287 10/1989 Zurwelle D8/68

FIG. 1 is a top plan view of a single reduction drill;

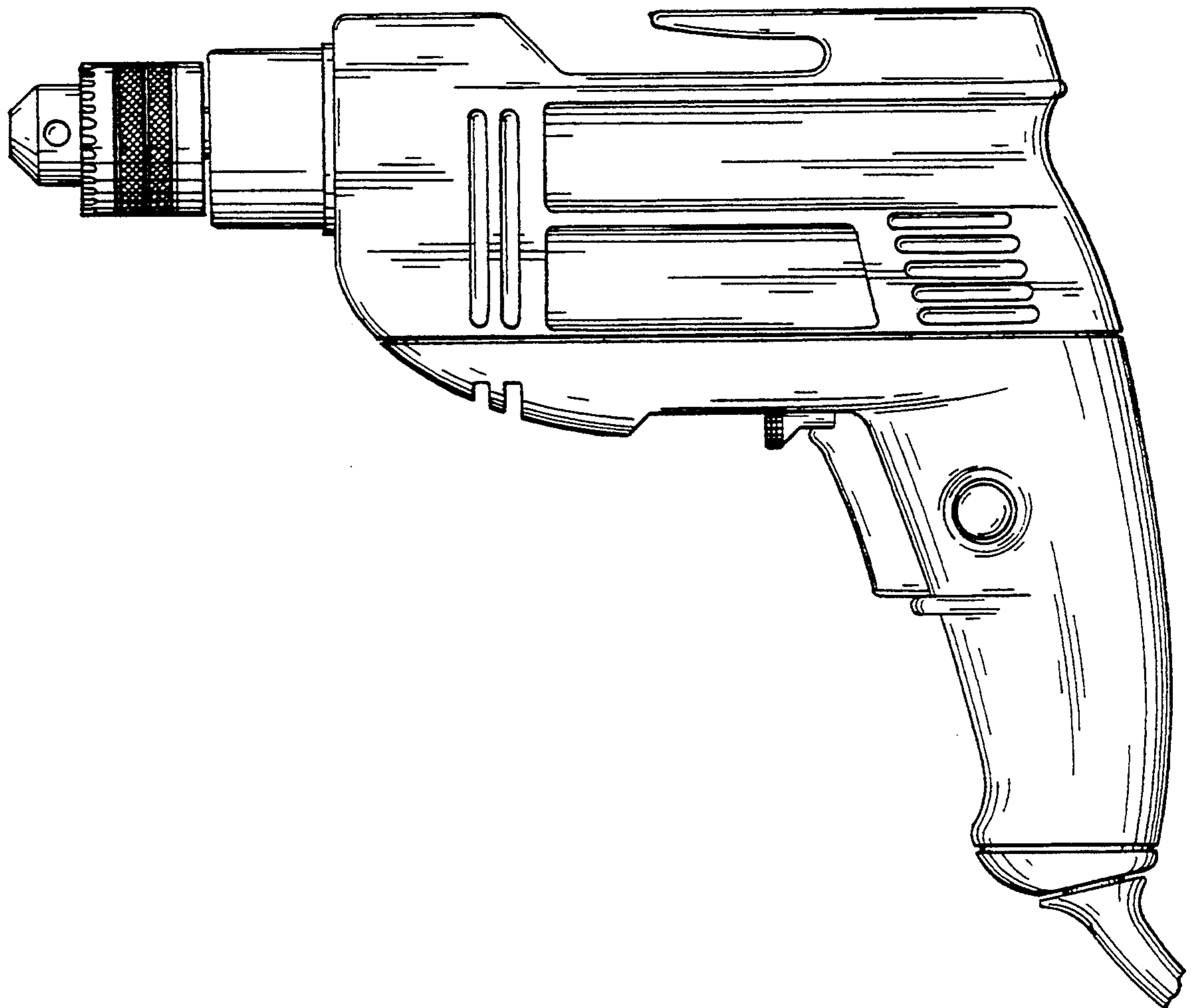
FIG. 2 is a left side elevational view;

FIG. 3 is a bottom plan view;

FIG. 4 is a right side elevational view;

FIG. 5 is a rear view; and,

FIG. 6 is a left side elevational view.



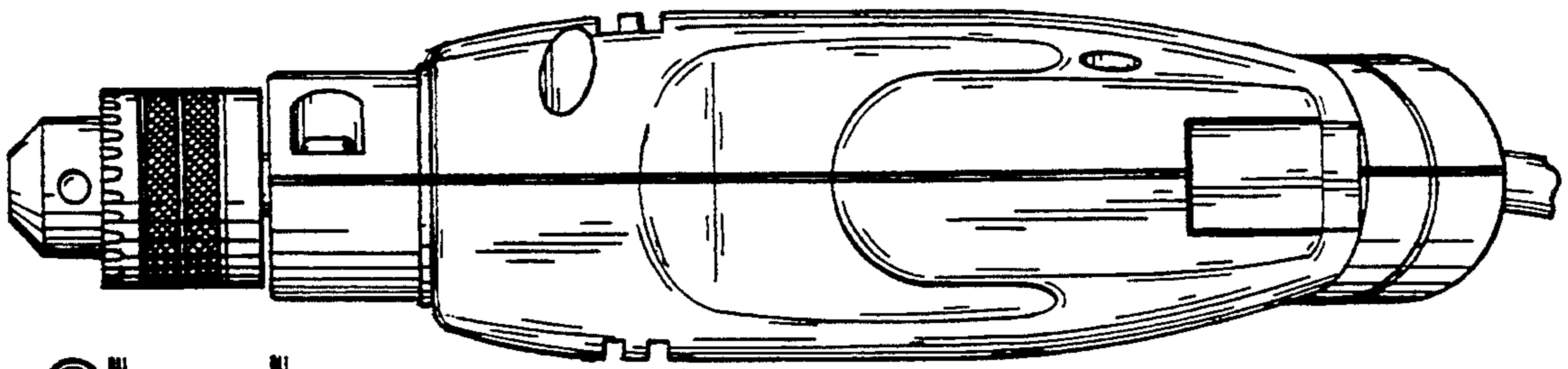


Fig-1

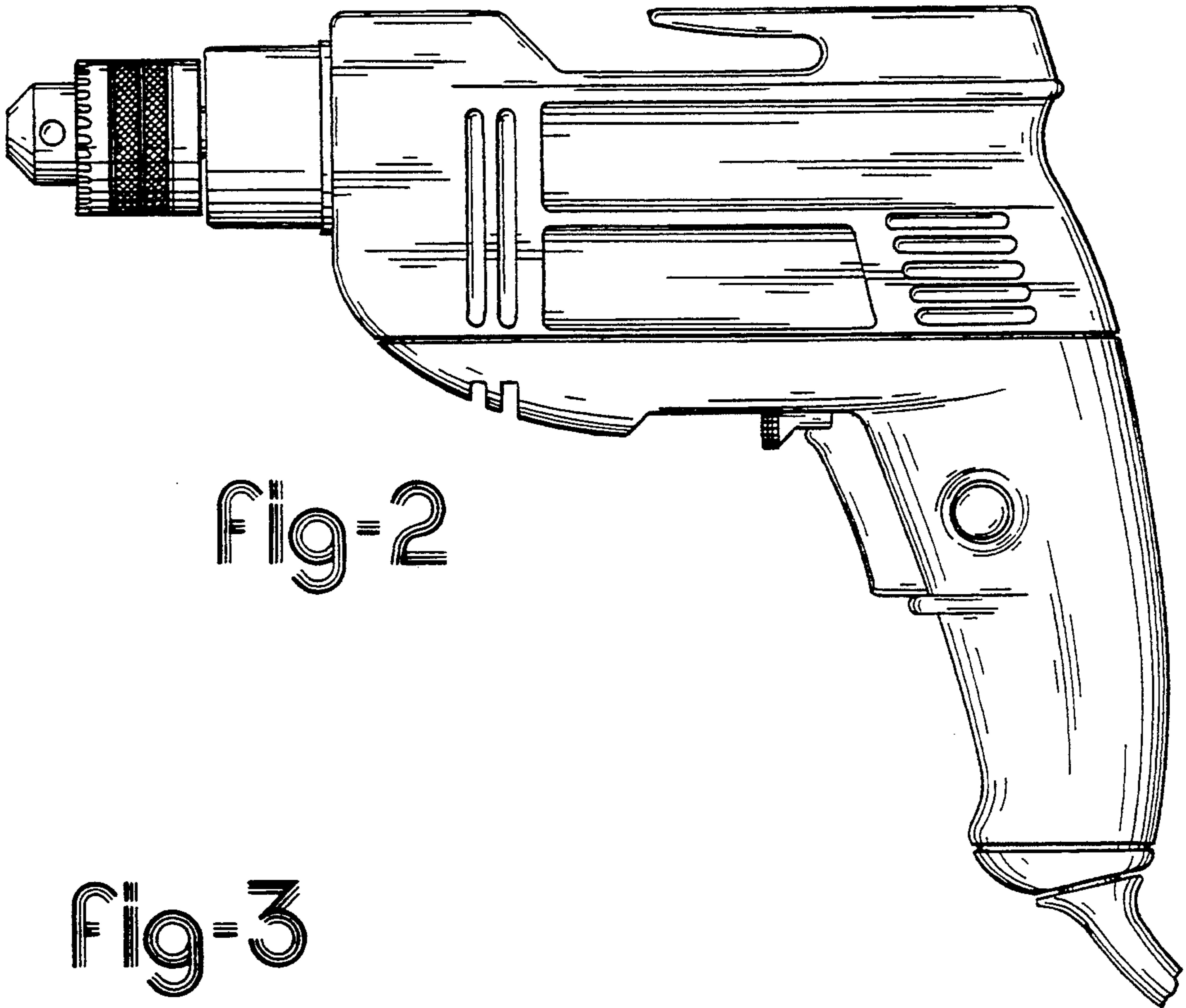
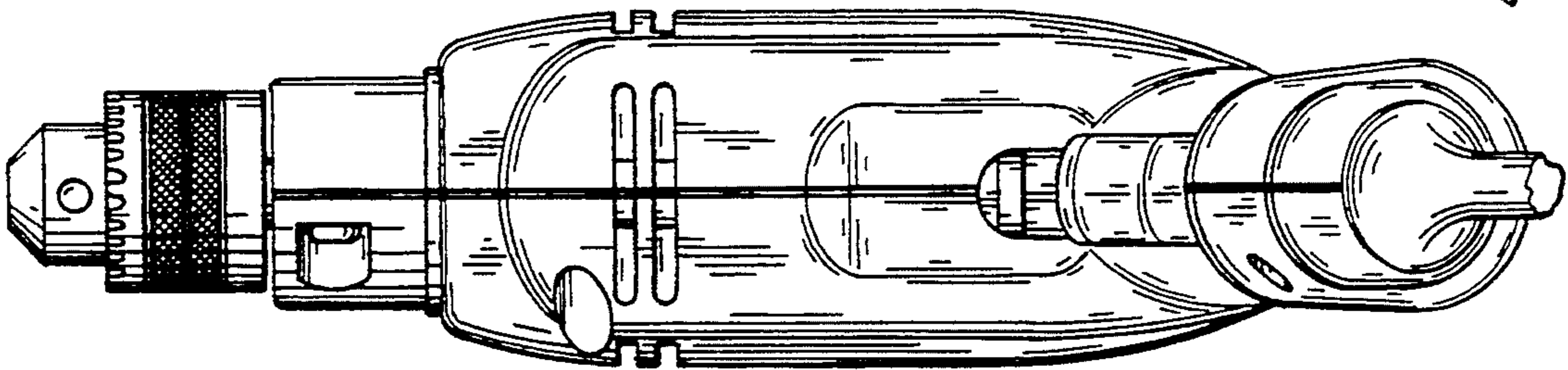


Fig-2

Fig-3



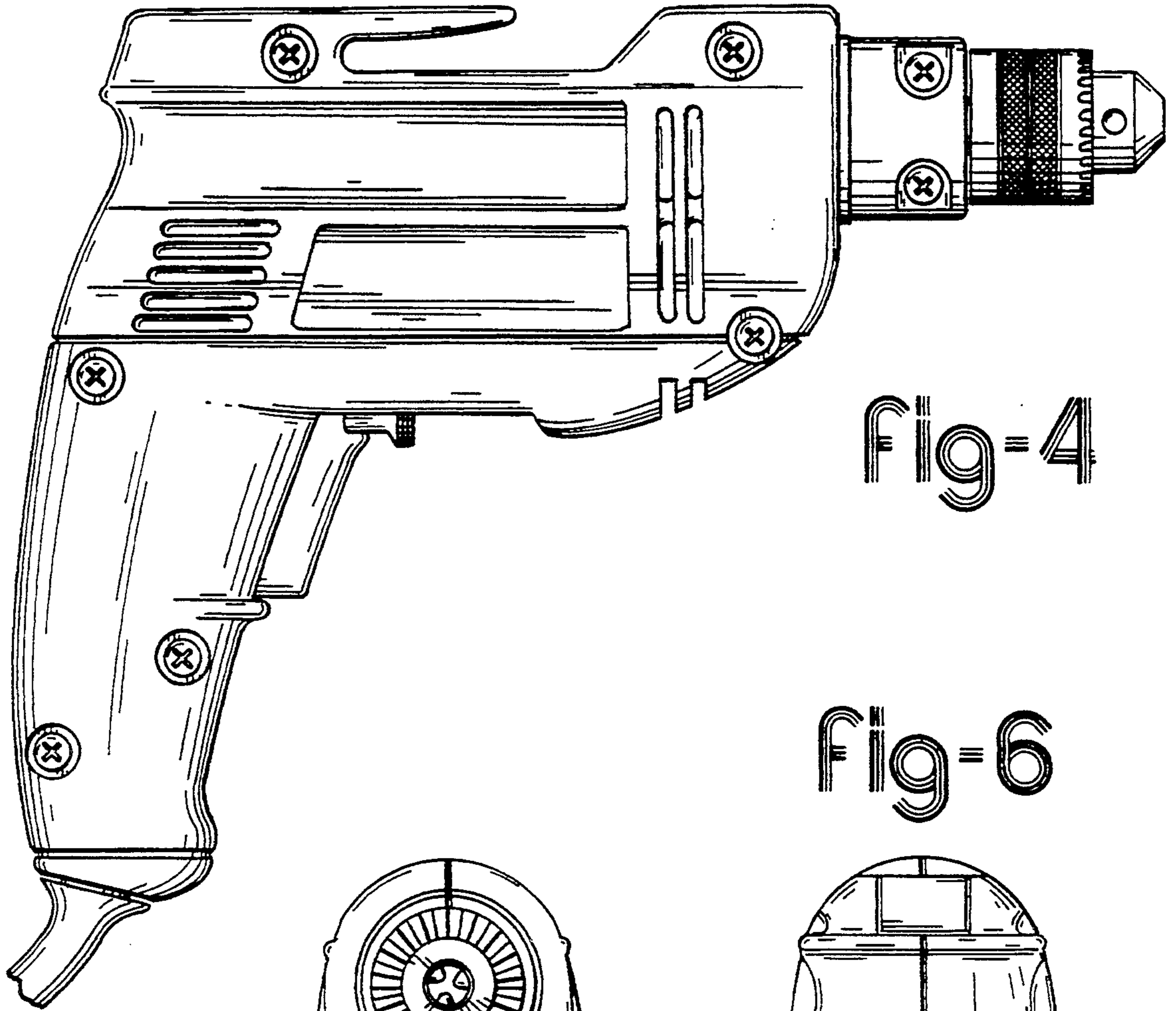


Fig-4

Fig-5

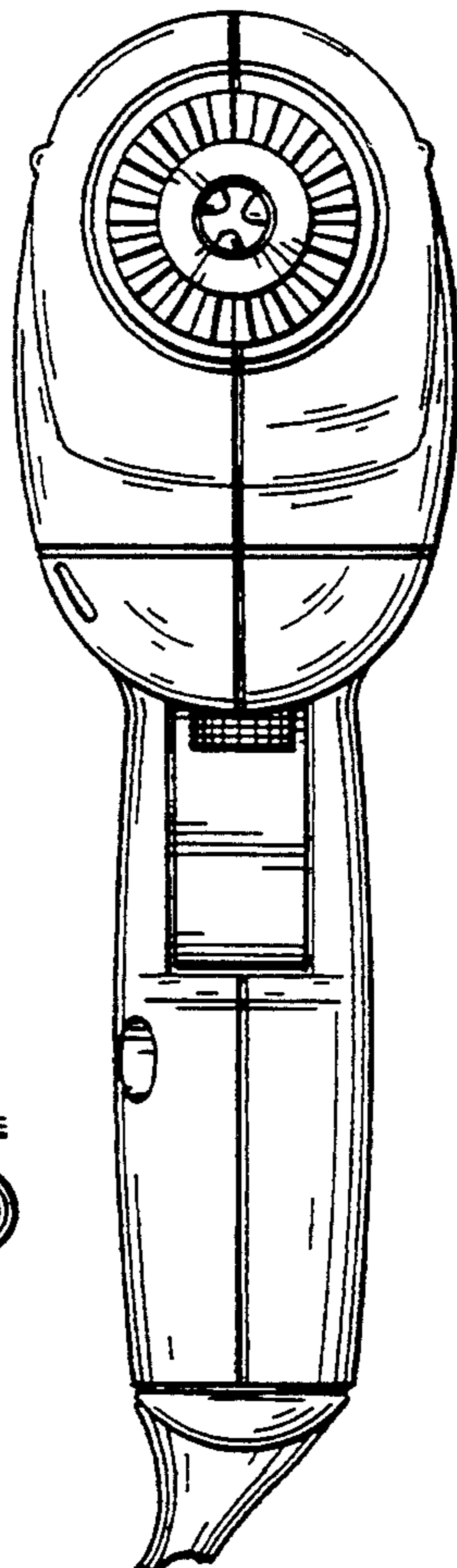


Fig-6

