



US00D353525S

United States Patent [19]

[11] Patent Number: **Des. 353,525**

Izumisawa

[45] Date of Patent: **** Dec. 20, 1994**

[54] MINIATURE DUAL-ACTING SANDER

D. 334,126	3/1993	Huber et al.	D8/62
D. 335,618	5/1993	Mogaki	D8/62
D. 345,089	3/1994	Kikuchi et al.	D8/62

[75] Inventor: **Osamu Izumisawa**, Tokyo, Japan

[73] Assignee: **Shinano Pneumatic Industries, Inc.**, Nagano, Japan

Primary Examiner—Alan P. Douglas
Assistant Examiner—Jeffry H. Musgrove
Attorney, Agent, or Firm—Senniger, Powers, Leavitt & Roedel

[**] Term: **14 Years**

[21] Appl. No.: **12,918**

[57] **CLAIM**

[22] Filed: **Sep. 14, 1993**

The ornamental design for a miniature dual-acting sander, as shown and described.

[52] U.S. Cl. **D8/62**

[58] Field of Search **D8/62, 61; 51/170 R, 51/170 T, 170 TL, 170 MT**

DESCRIPTION

[56] **References Cited**

U.S. PATENT DOCUMENTS

D. 283,590	4/1986	Ibaraki	D8/62
D. 286,736	11/1986	Somers	D8/62
D. 310,007	8/1990	Saito et al.	D8/62
D. 323,963	2/1992	Bunyea	D8/62
D. 329,362	9/1992	Saito et al.	D8/62

FIG. 1 is a left side elevational view of a miniature dual-acting sander showing my new design, the right side elevational view being substantially a mirror image thereof;

FIG. 2 is a front elevational view thereof;

FIG. 3 is a rear elevational view thereof;

FIG. 4 is a top plan view thereof; and,

FIG. 5 is a bottom plan view thereof.

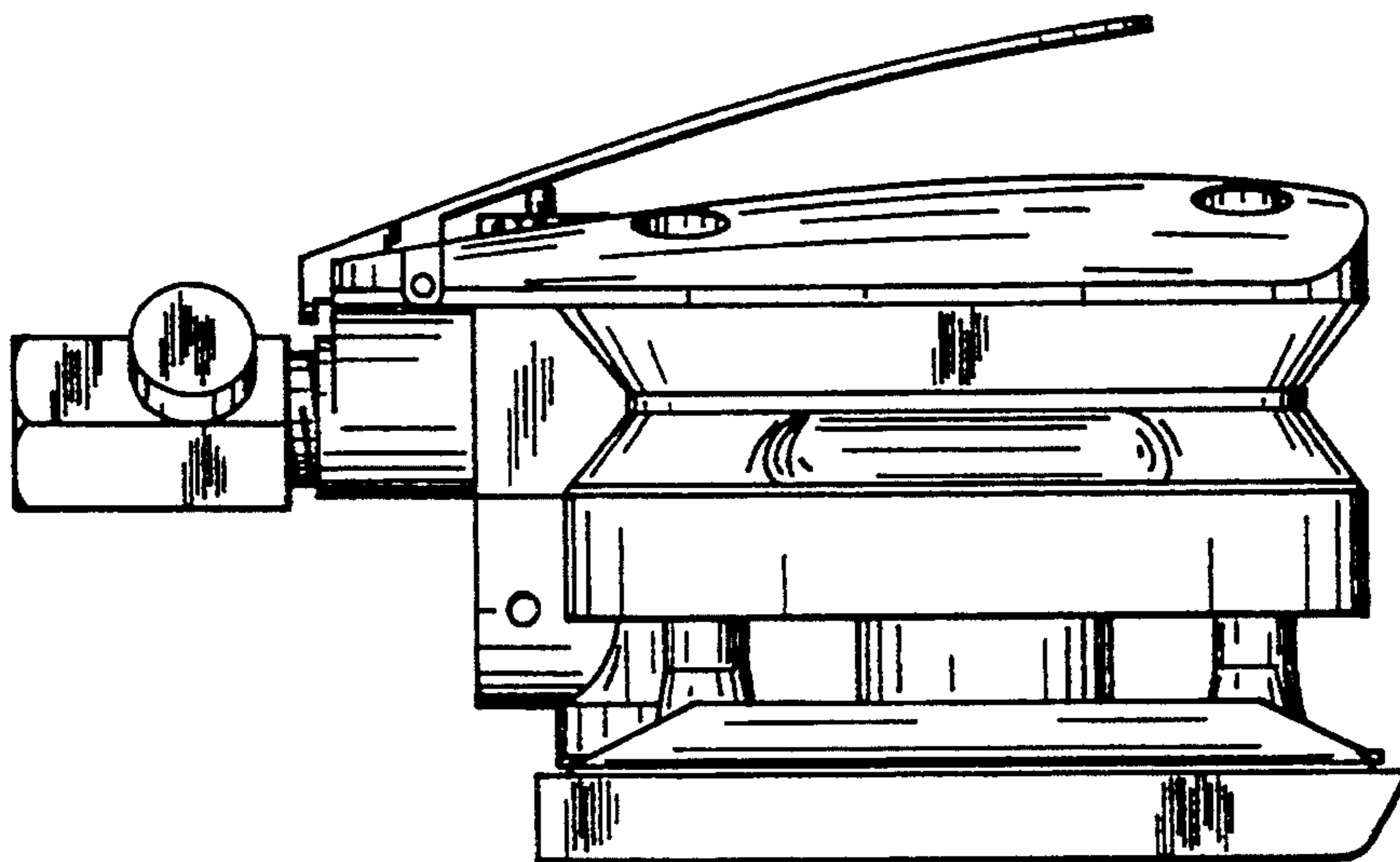


FIG. 1

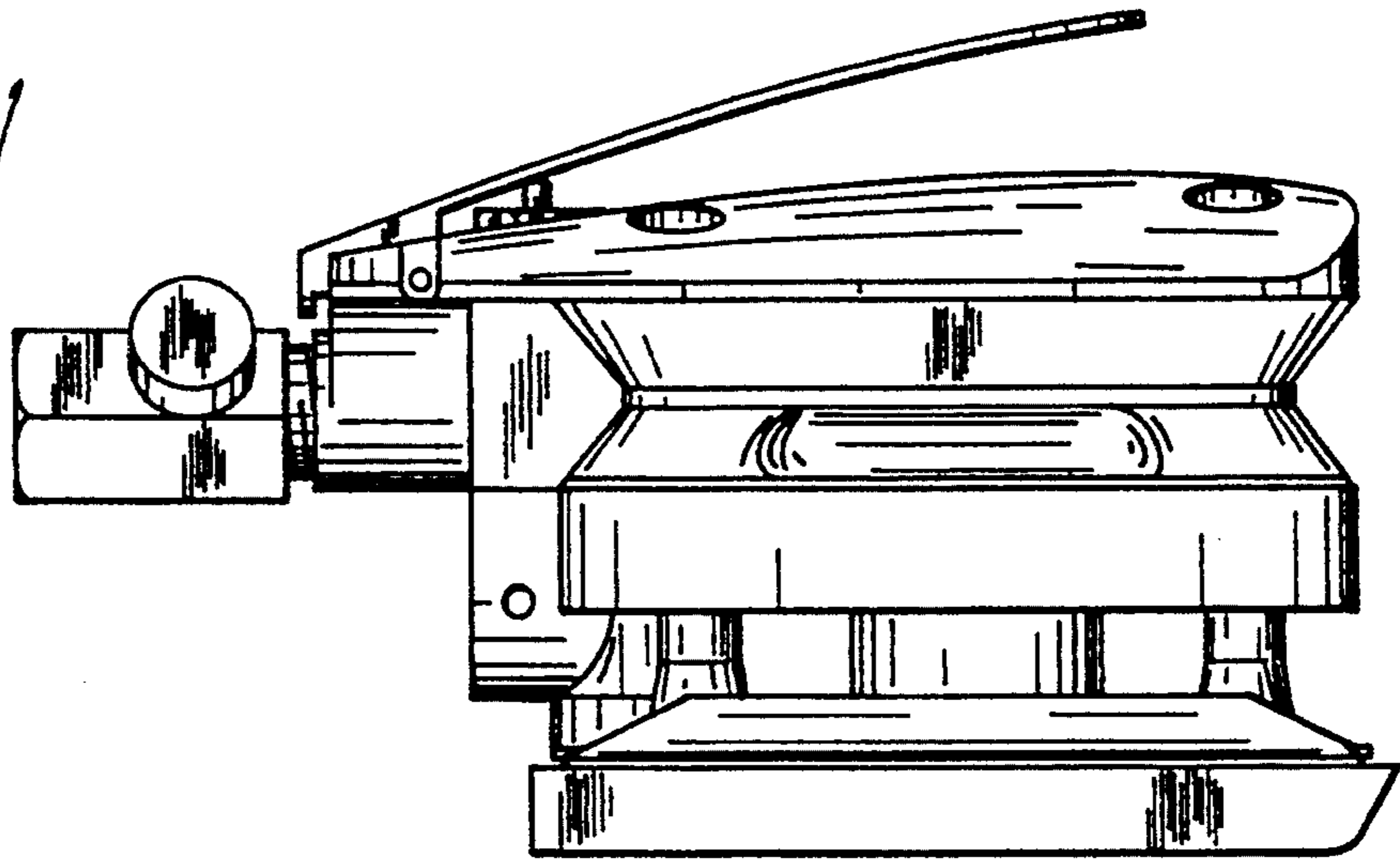


FIG. 2

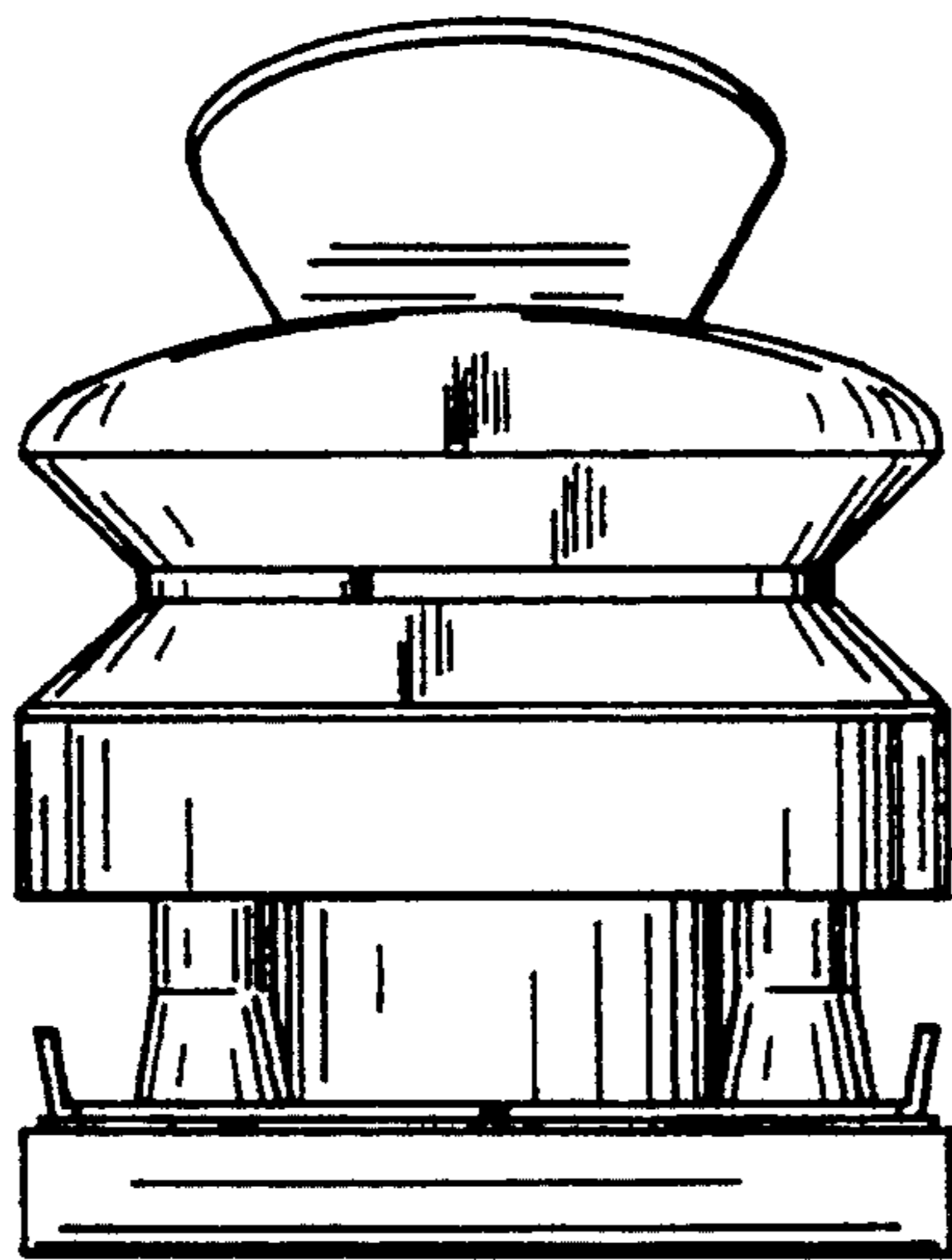


FIG. 3

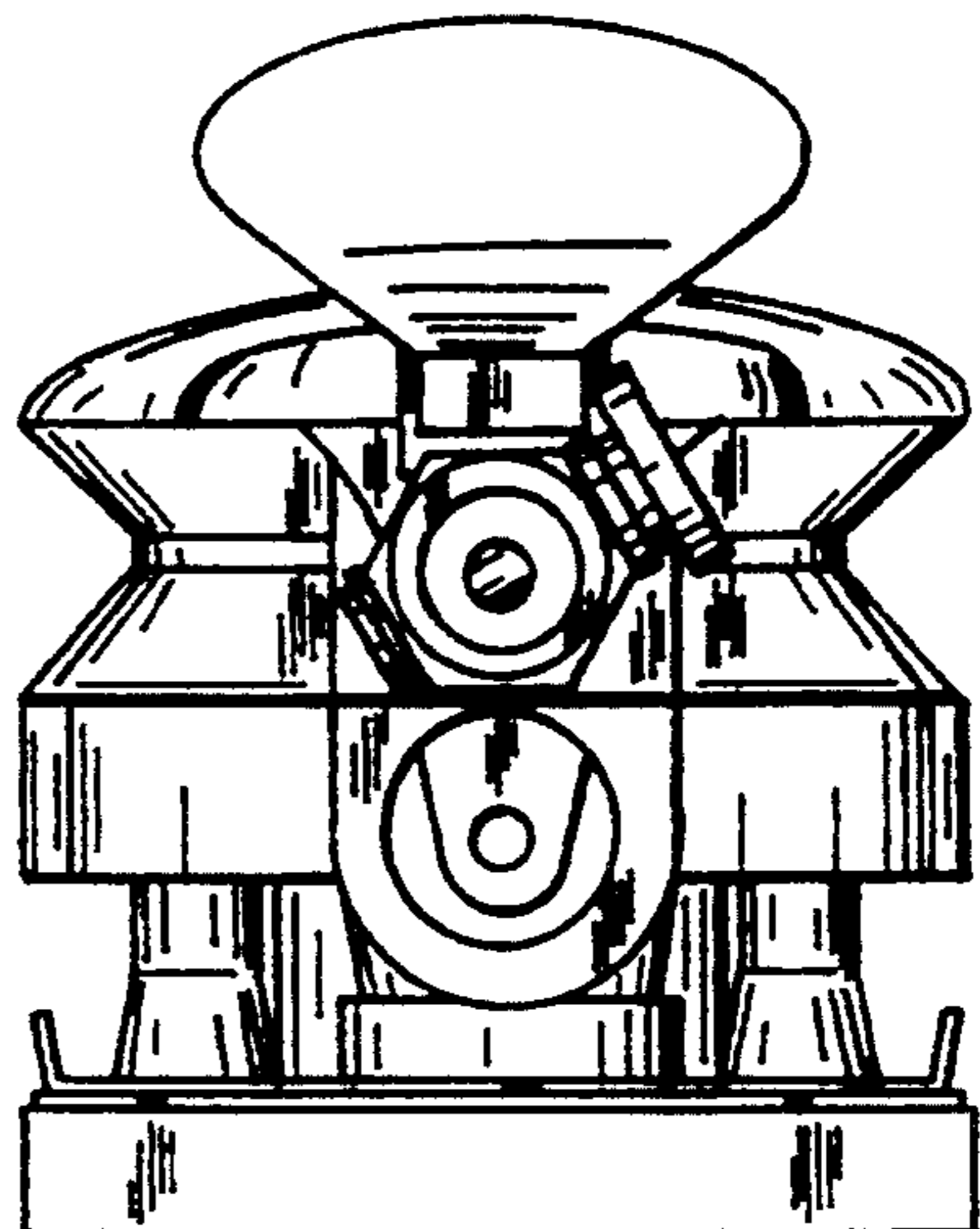


FIG. 4

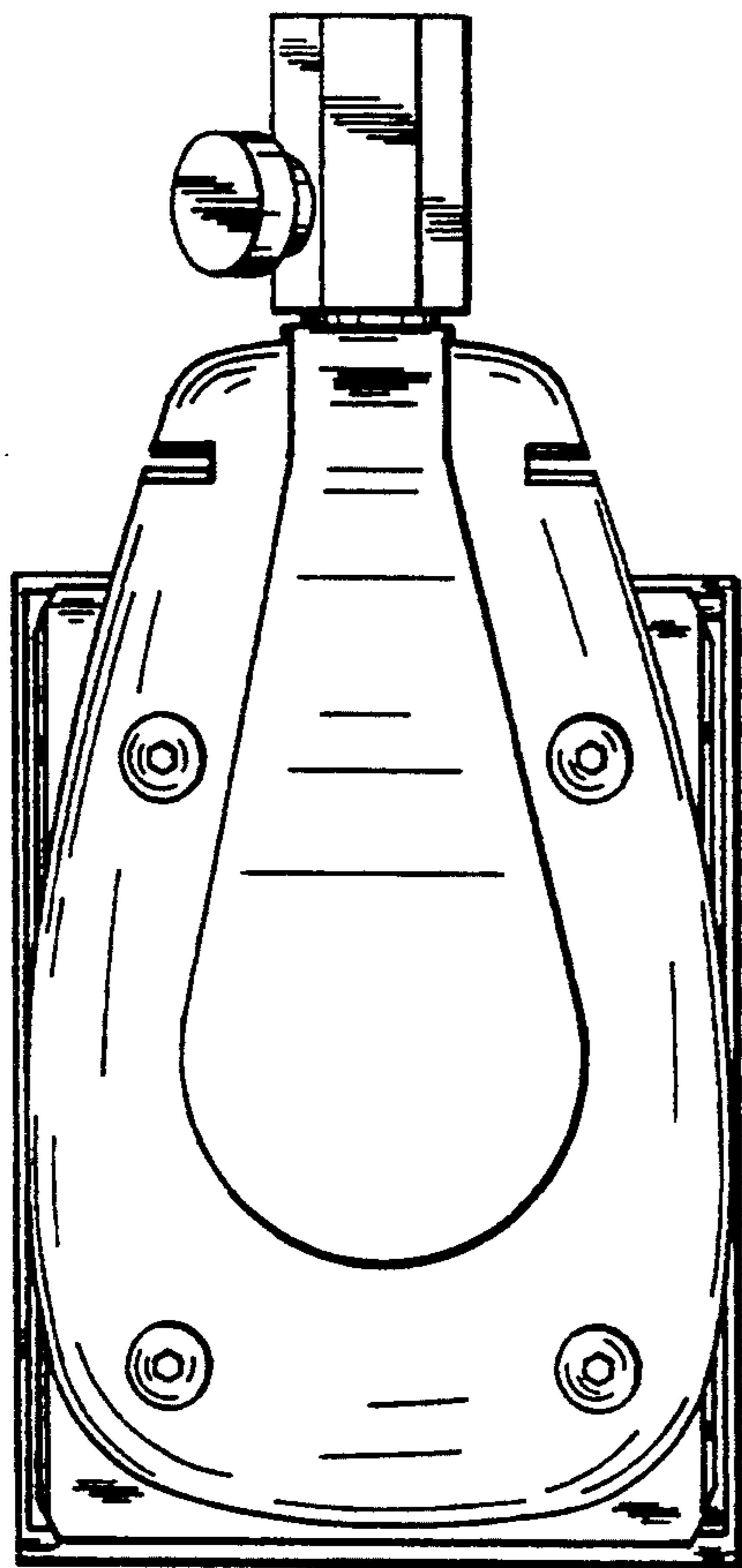


FIG. 5

