



US00D353522S

# United States Patent [19]

[11] Patent Number: Des. 353,522

Fritze

[45] Date of Patent: \*\* Dec. 20, 1994

[54] NAPKIN RING

[75] Inventor: Dorothy C. Fritze, Denver, Colo.

[73] Assignee: Landmark Graphics, Inc., Denver, Colo.

[\*\*] Term: 14 Years

[21] Appl. No.: 10,719

[22] Filed: Jul. 15, 1993

[52] U.S. Cl. .... D7/633; D8/396

[58] Field of Search ..... D7/631, 633; D8/395, D8/396; 24/7-9, 16 R, 499, 20 S, 3 J

[56] **References Cited**

**U.S. PATENT DOCUMENTS**

- D. 343,994 2/1994 Lin ..... D7/633
- 4,639,977 2/1987 Howard ..... 24/16 R
- 5,153,969 10/1992 Arrendiell et al. .... 24/16 R X

**FOREIGN PATENT DOCUMENTS**

- 2247158 2/1992 United Kingdom ..... D7/633

Primary Examiner—Terry A. Wallace  
Attorney, Agent, or Firm—W. Scott Carson

[57] **CLAIM**

The ornamental design for a napkin ring, as shown and described.

**DESCRIPTION**

FIG. 1 is a perspective view of a napkin ring showing my new design, the napkin shown in broken lines is for illustrative purposes only and forms no part of the claimed design;

FIG. 2 is a front elevational view thereof, the opposite side being a mirror image;

FIG. 3 is a left side elevational view thereof, the opposite side being a mirror image;

FIG. 4 is a top plan view thereof;

FIG. 5 is a bottom plan view thereof;

FIG. 6 is a perspective view of a second embodiment of a napkin ring showing my new design, the napkin shown in broken lines is for illustrative purposes only and forms no part of the claimed design;

FIG. 7 is a front elevational view of FIG. 6, the opposite side being a mirror image;

FIG. 8 is a left side elevational view of FIG. 6, the opposite side being a mirror image;

FIG. 9 is a top plan view of FIG. 6; and,

FIG. 10 is a bottom plan view of FIG. 6.

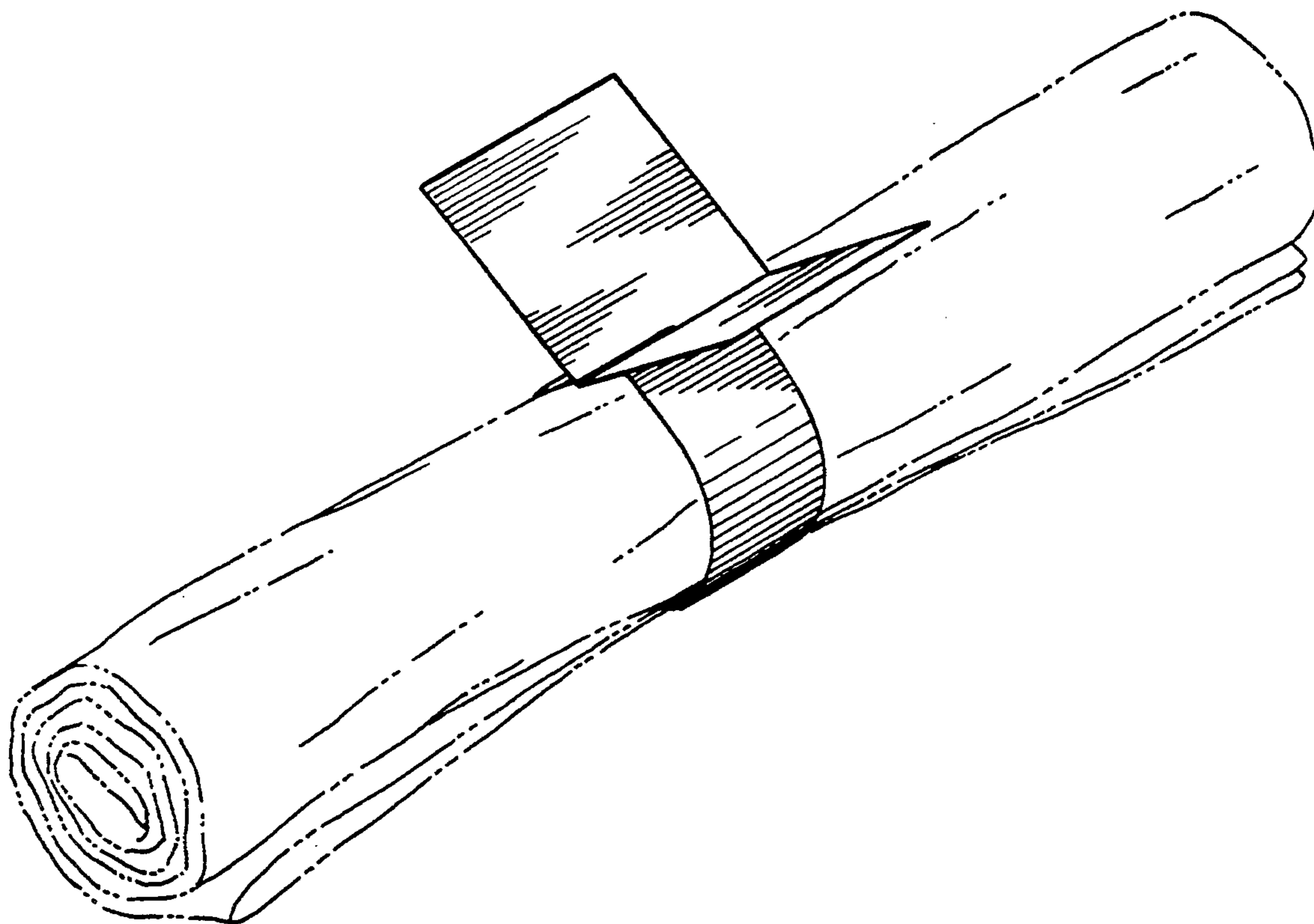


Fig. 1

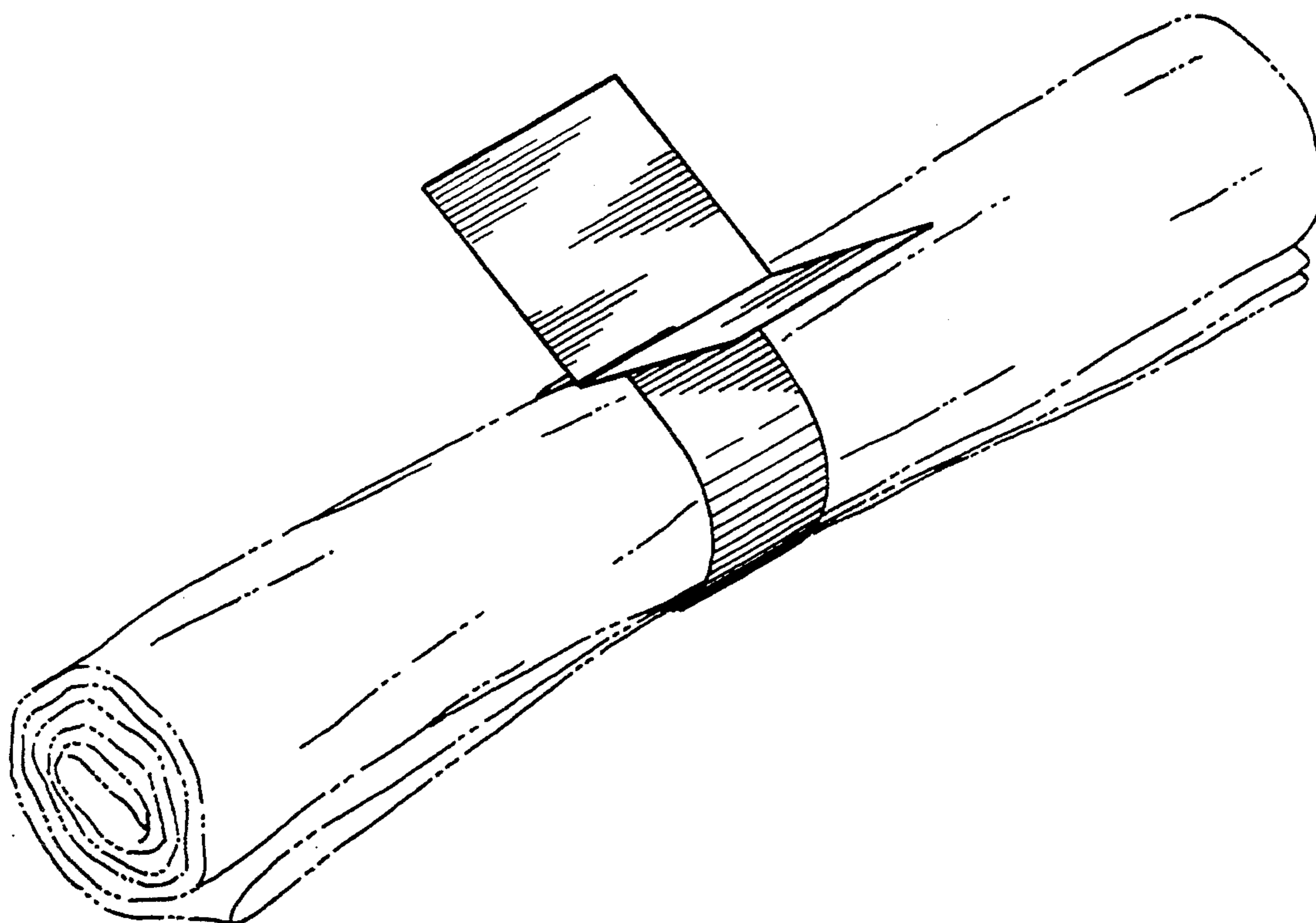


Fig. 2

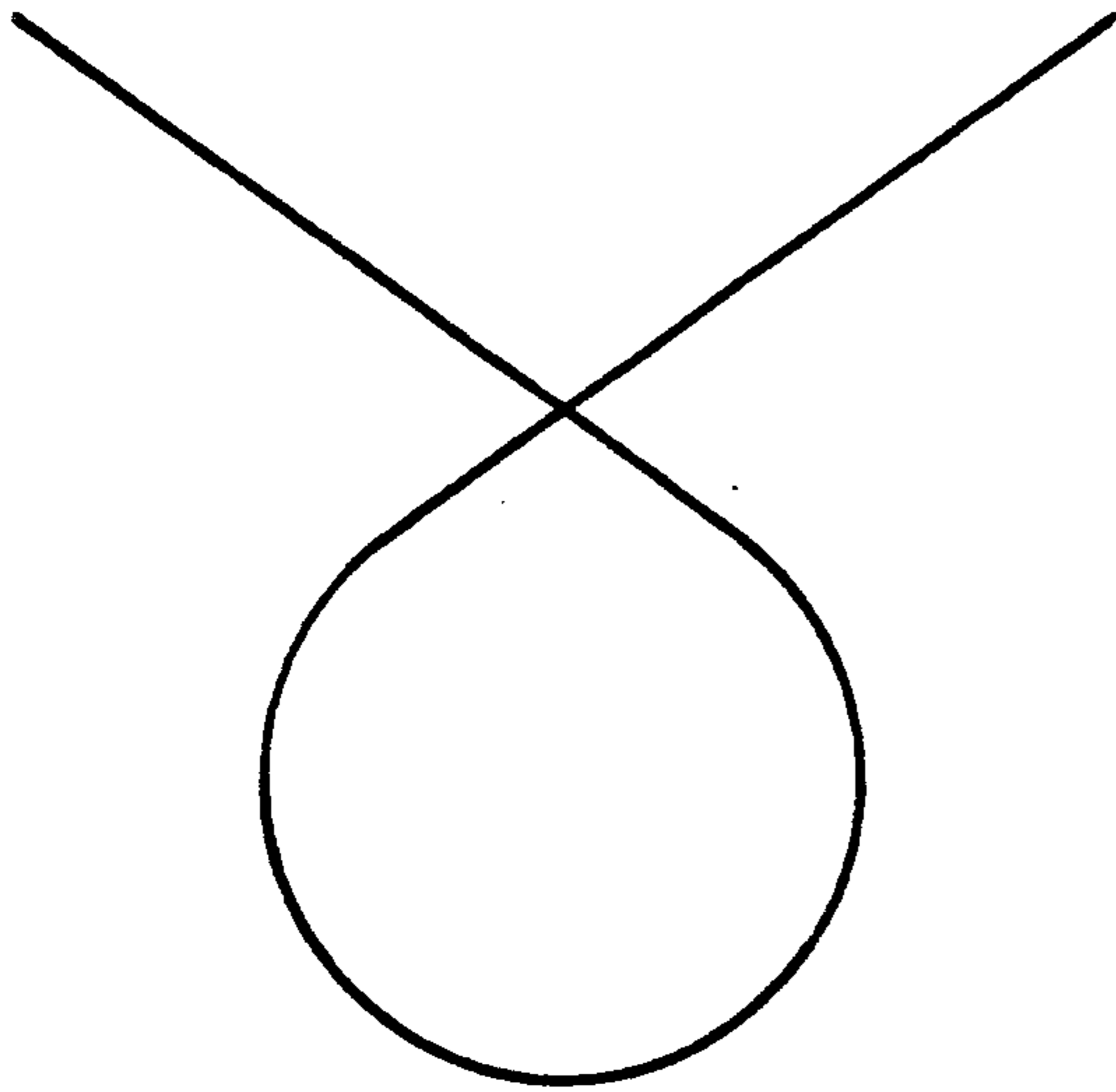


Fig. 3

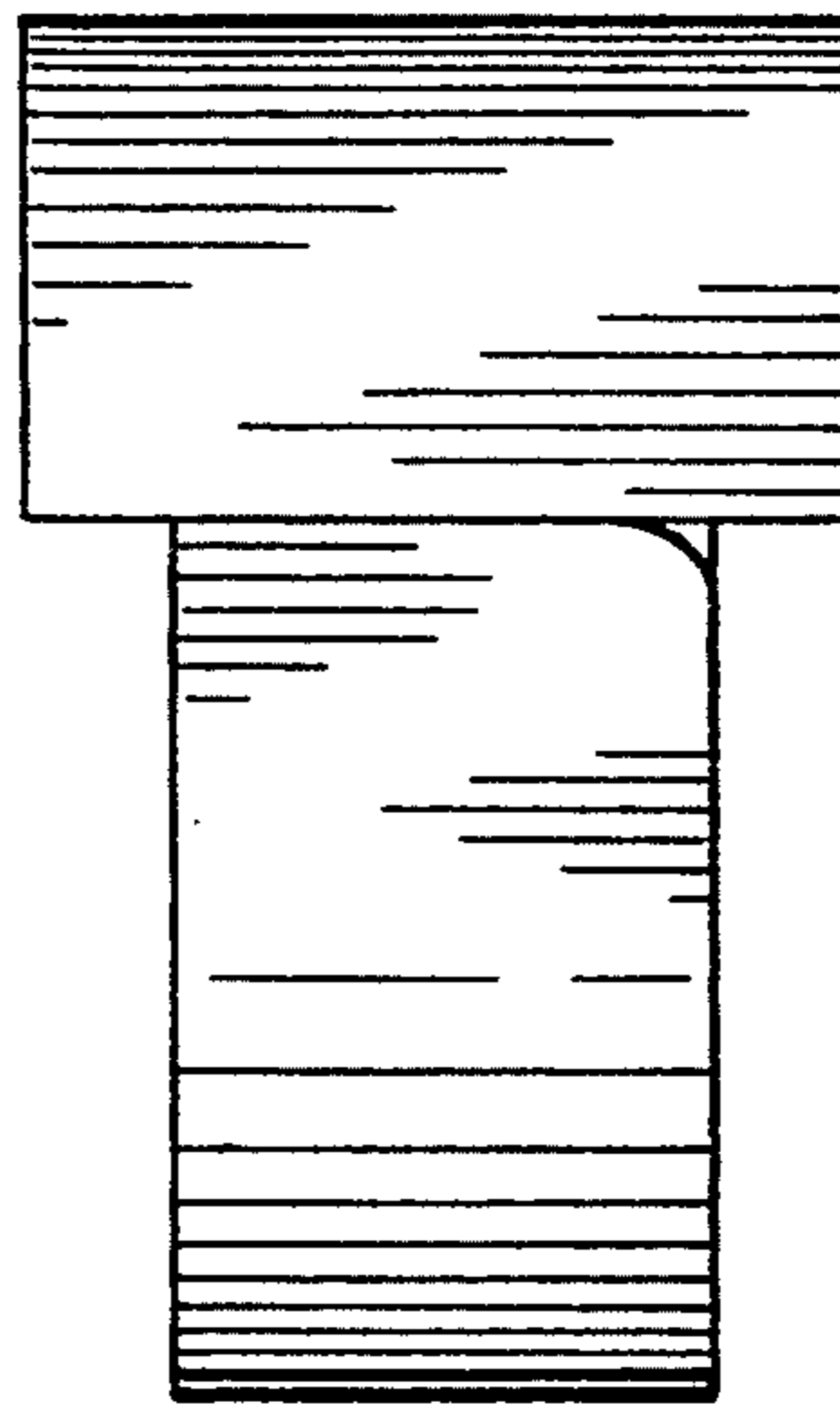


Fig. 4

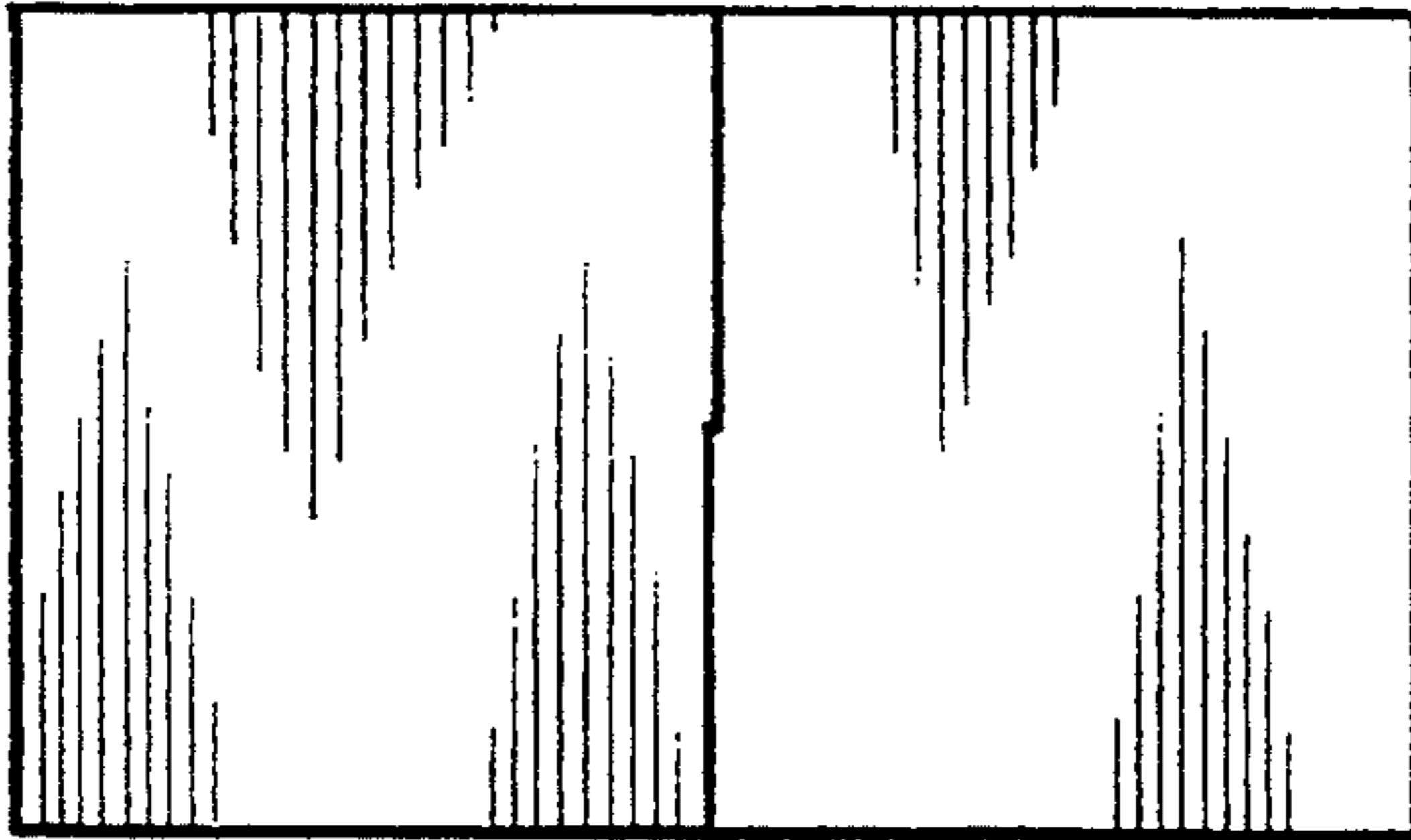


Fig. 5

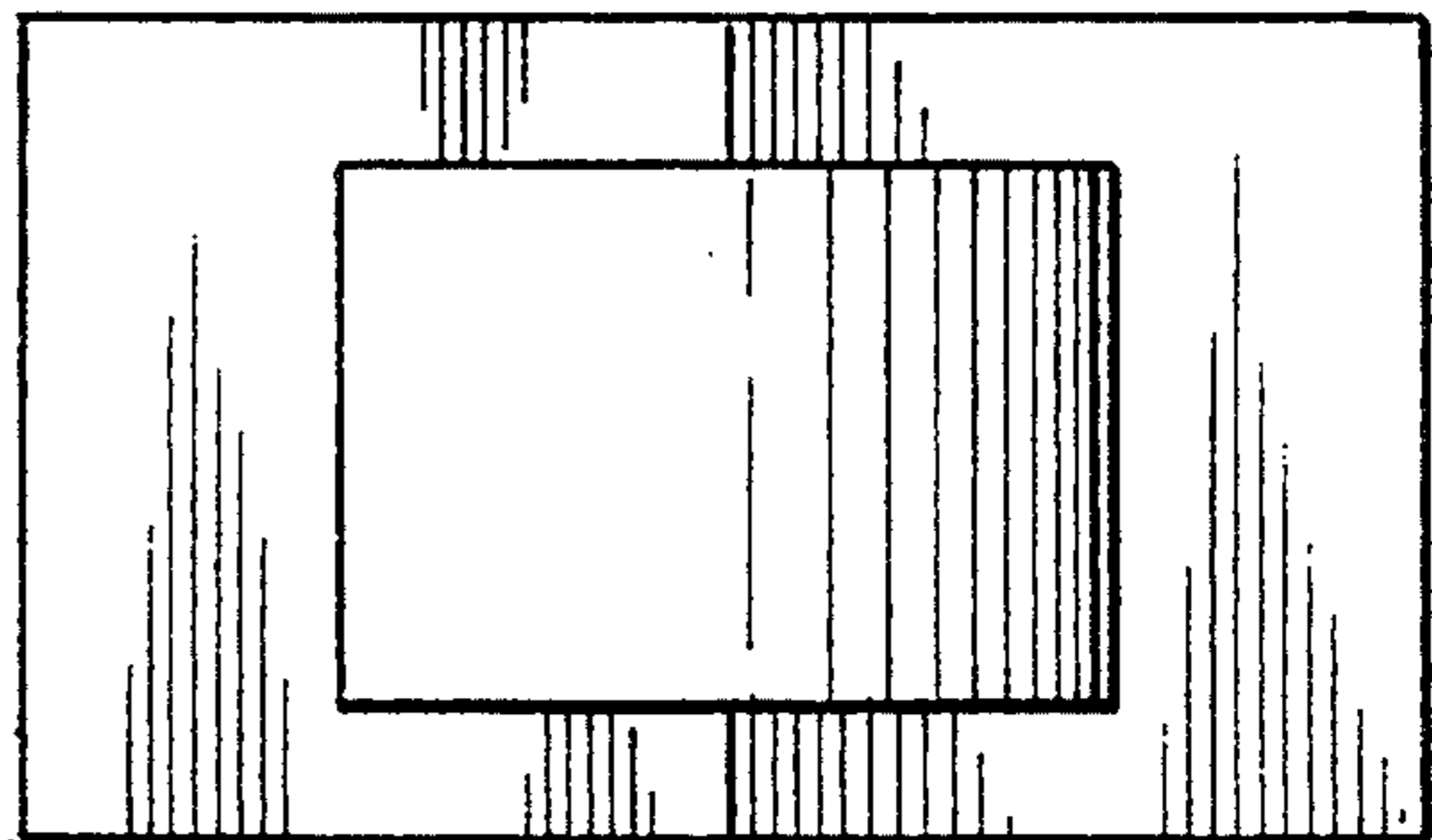


Fig. 6

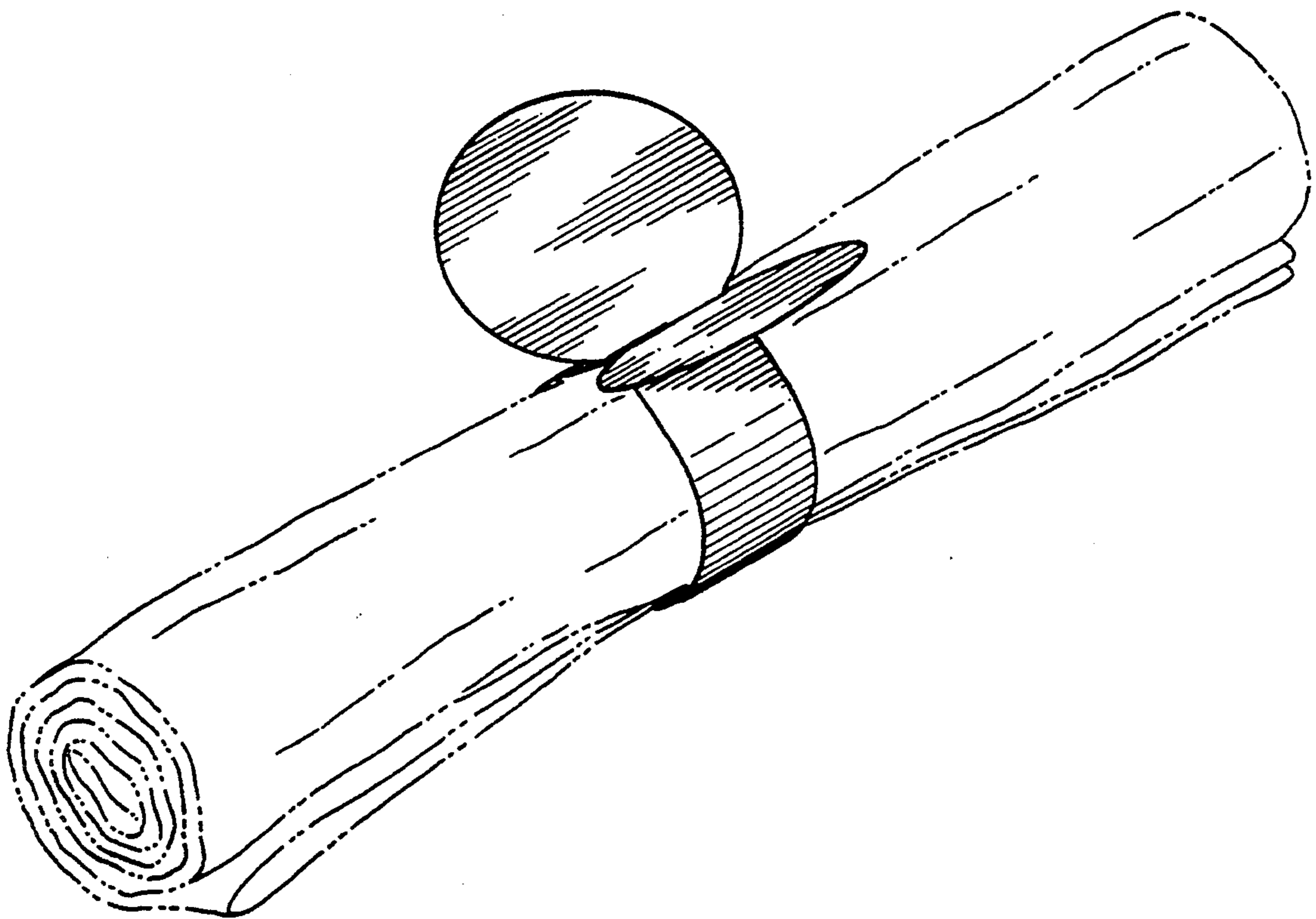


Fig. 7

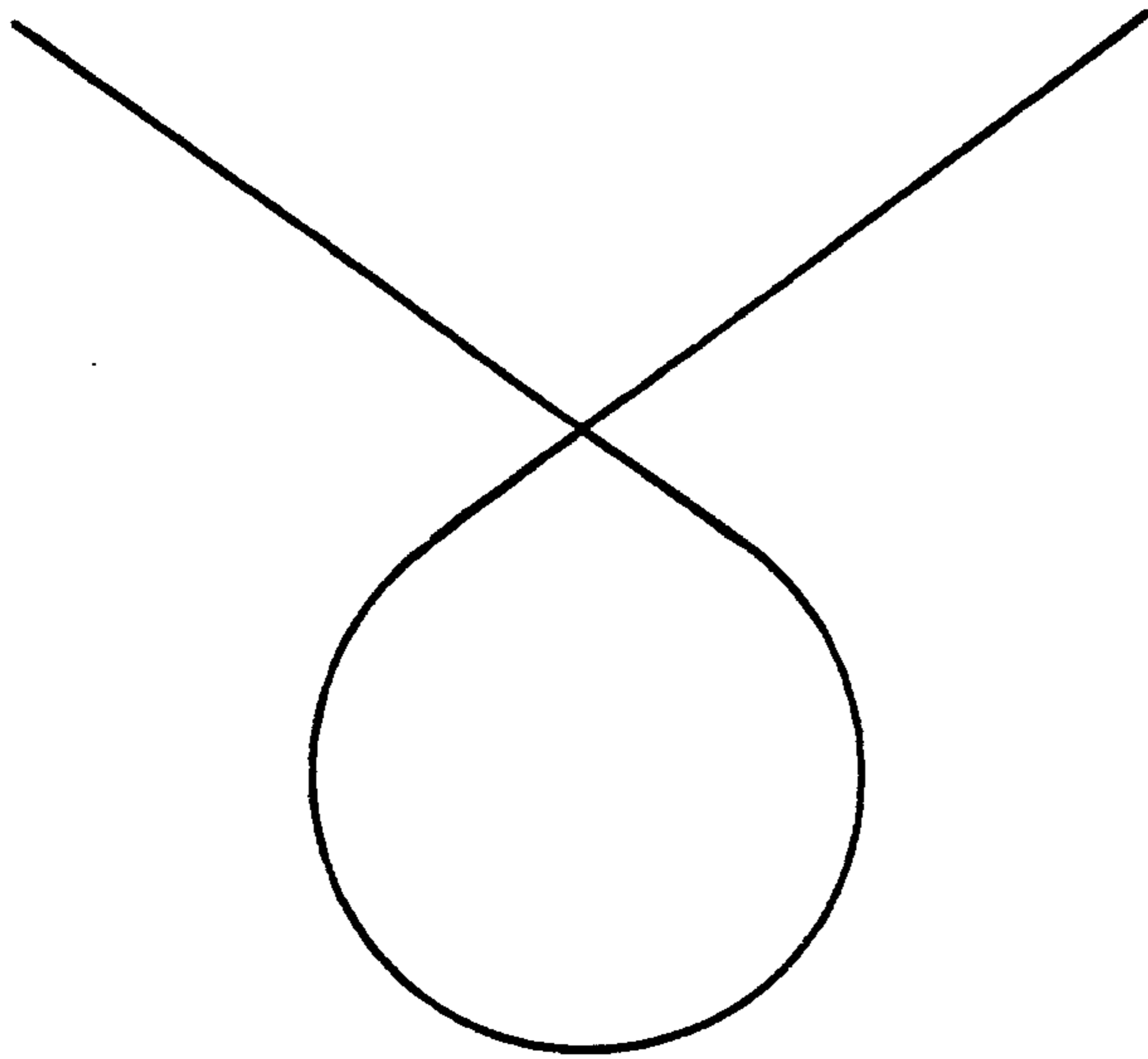


Fig. 8

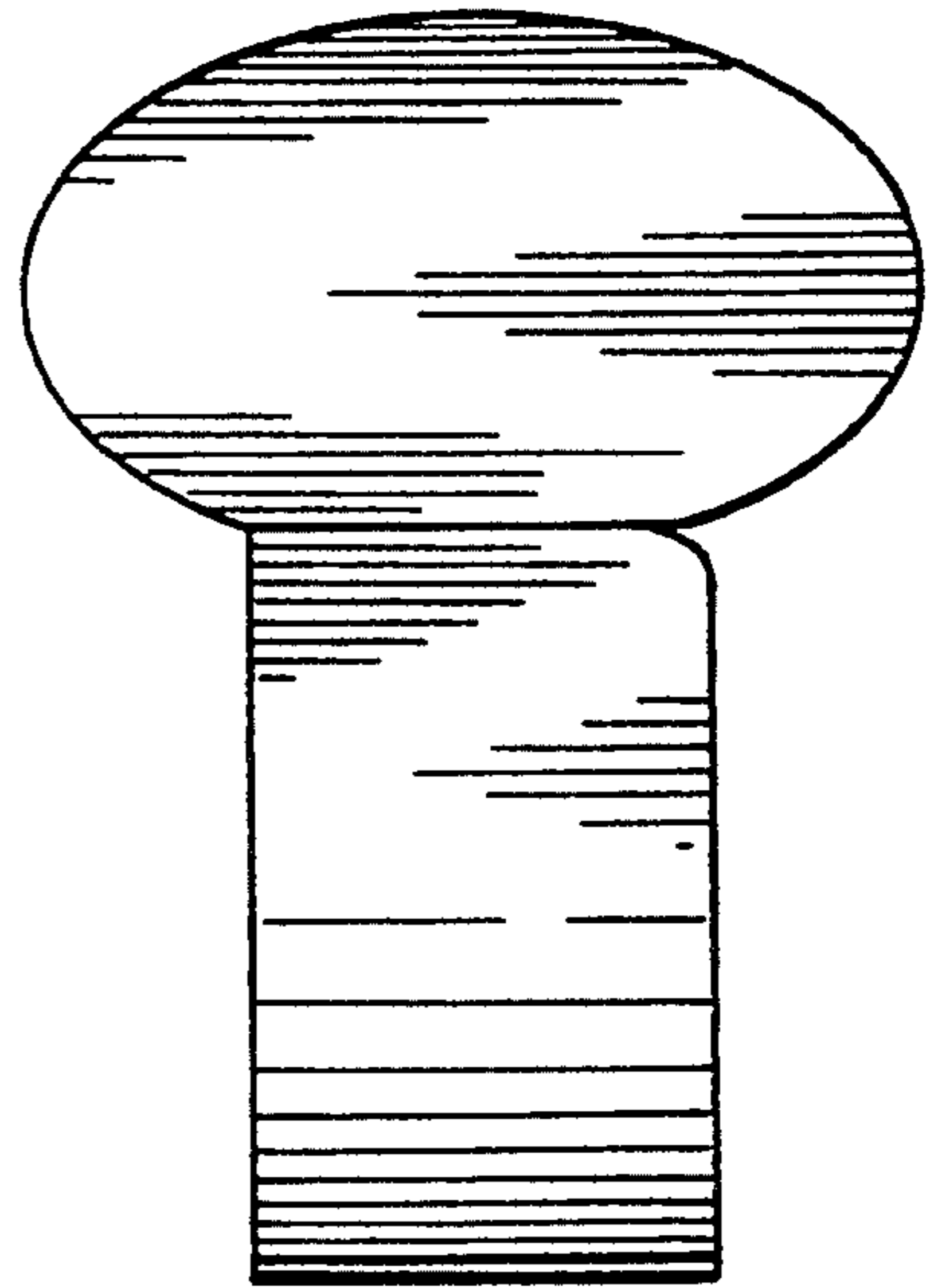


Fig. 9

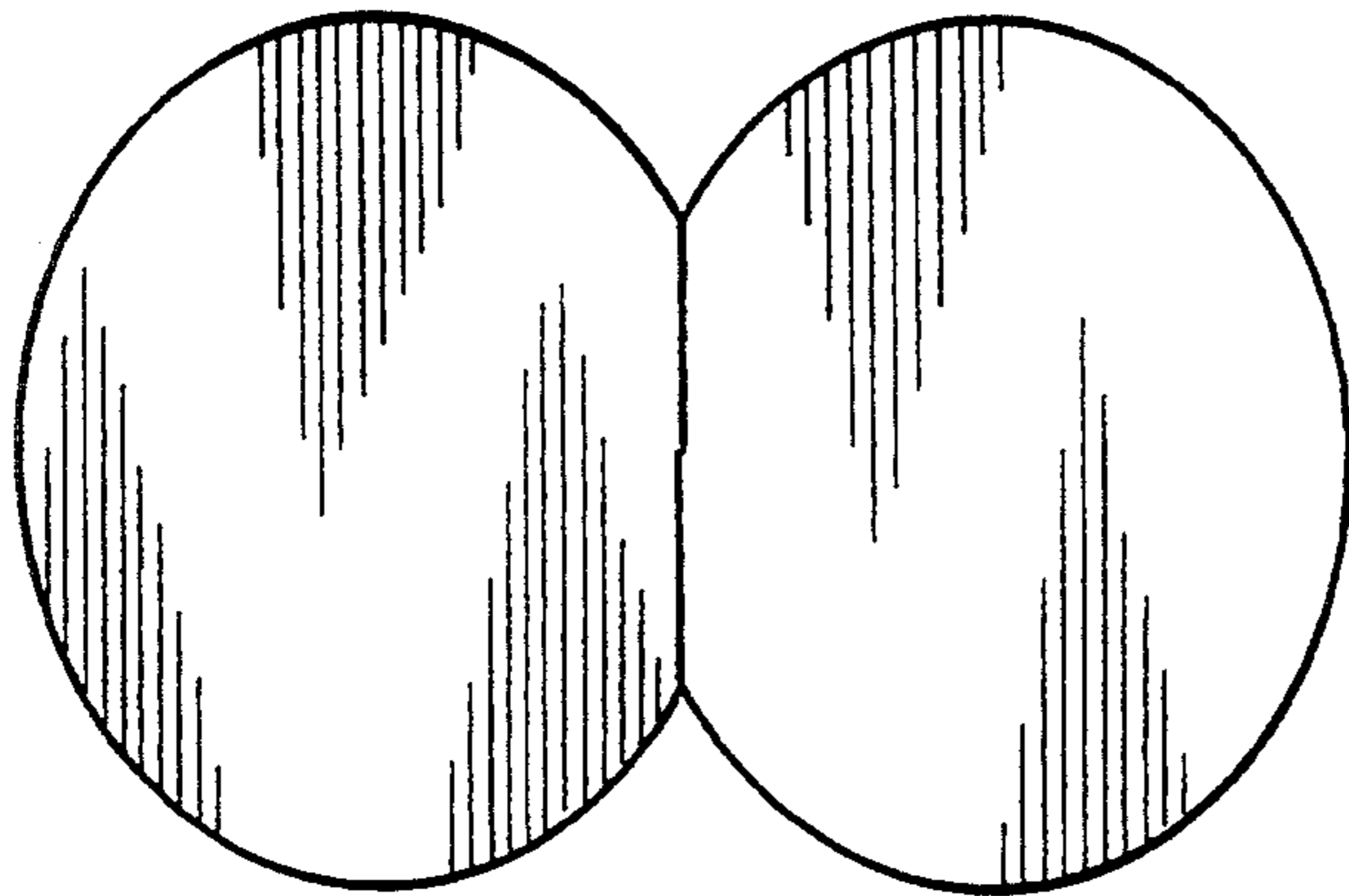


Fig. 10

