



US00D353499S

United States Patent [19]
Schwallenstecker

[11] **Patent Number: Des. 353,499**
[45] **Date of Patent: ** Dec. 20, 1994**

- [54] **DISPLAY STAND**
- [76] **Inventor: LaVerne A. Schwallenstecker, 1871 S. Paris Ct., Aurora, Colo. 80012**
- [**] **Term: 14 Years**
- [21] **Appl. No.: 21,456**
- [22] **Filed: Apr. 18, 1994**
- [52] **U.S. Cl. D6/449**
- [58] **Field of Search D6/450, 449, 451, 453, D6/470, 471, 472, 476, 478, 601, 386, 387, 402, 406, 432; 244/190, 202; D21/87, 82; D11/164, 131**

Design Institute America Catalog, p. 7 Double Pivot table.
Woodward & Lothrop Catalog. "Directions", p. 8 Pivot Cocktail table.

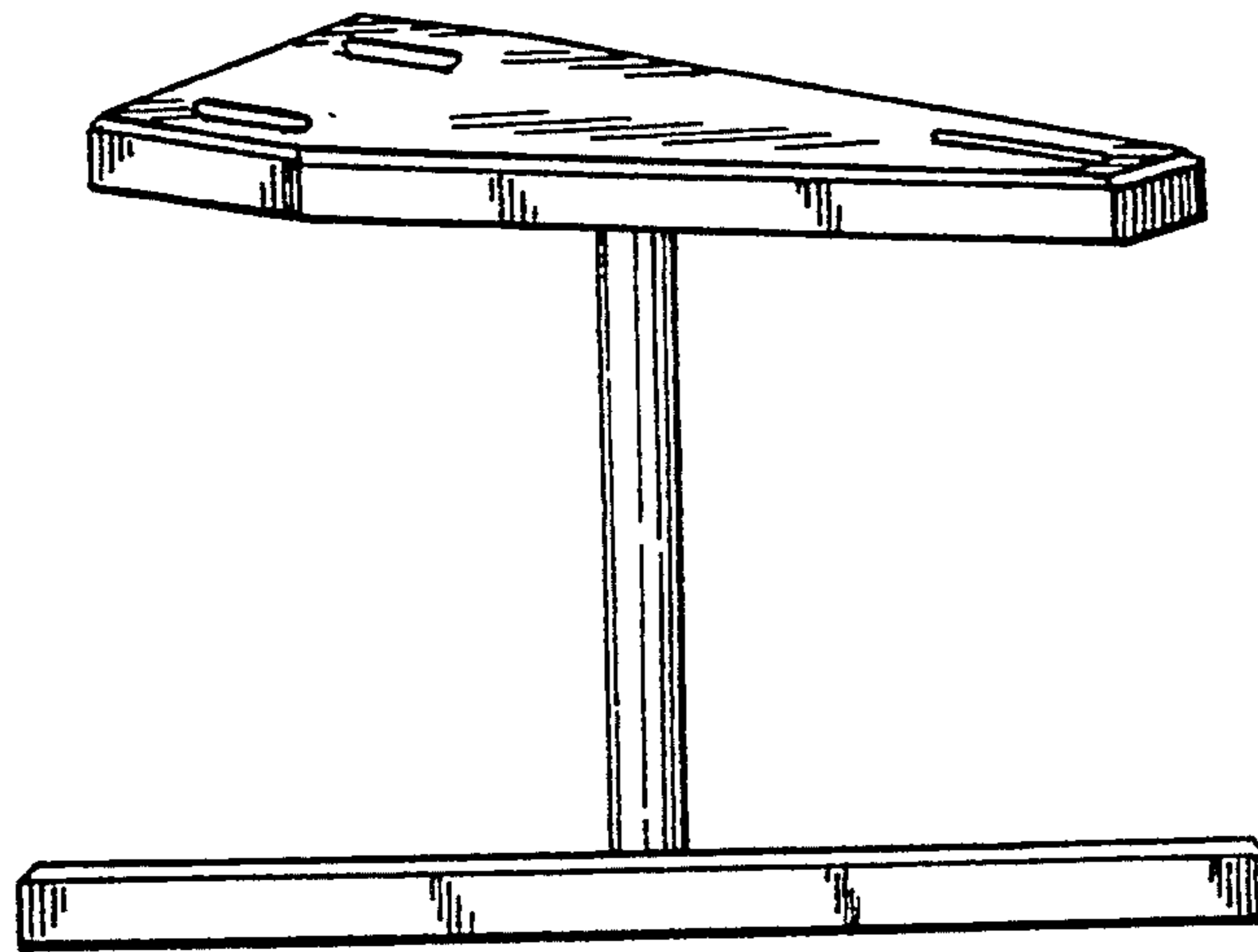
Primary Examiner—Nelson C. Holtje
Assistant Examiner—S. Snapp
Attorney, Agent, or Firm—Fields, Lewis, Pittenger & Rost

- [56] **References Cited**
- U.S. PATENT DOCUMENTS**
- D. 174,113 3/1955 Dey D21/87 X
- D. 237,659 11/1975 Meyer D21/87 X

OTHER PUBLICATIONS
Interior Design, Jun. 1992, p. 92—Oskar table.

[57] **CLAIM**
The ornamental design for a display stand, as shown and described.

DESCRIPTION
FIG. 1 is a top plan view of a display stand showing my new design;
FIG. 2 is a bottom plan view thereof;
FIG. 3 is a right side elevational view thereof;
FIG. 4 is a rear elevational view thereof;
FIG. 5 is a front elevational view thereof; and,
FIG. 6 is a left side elevational view thereof.



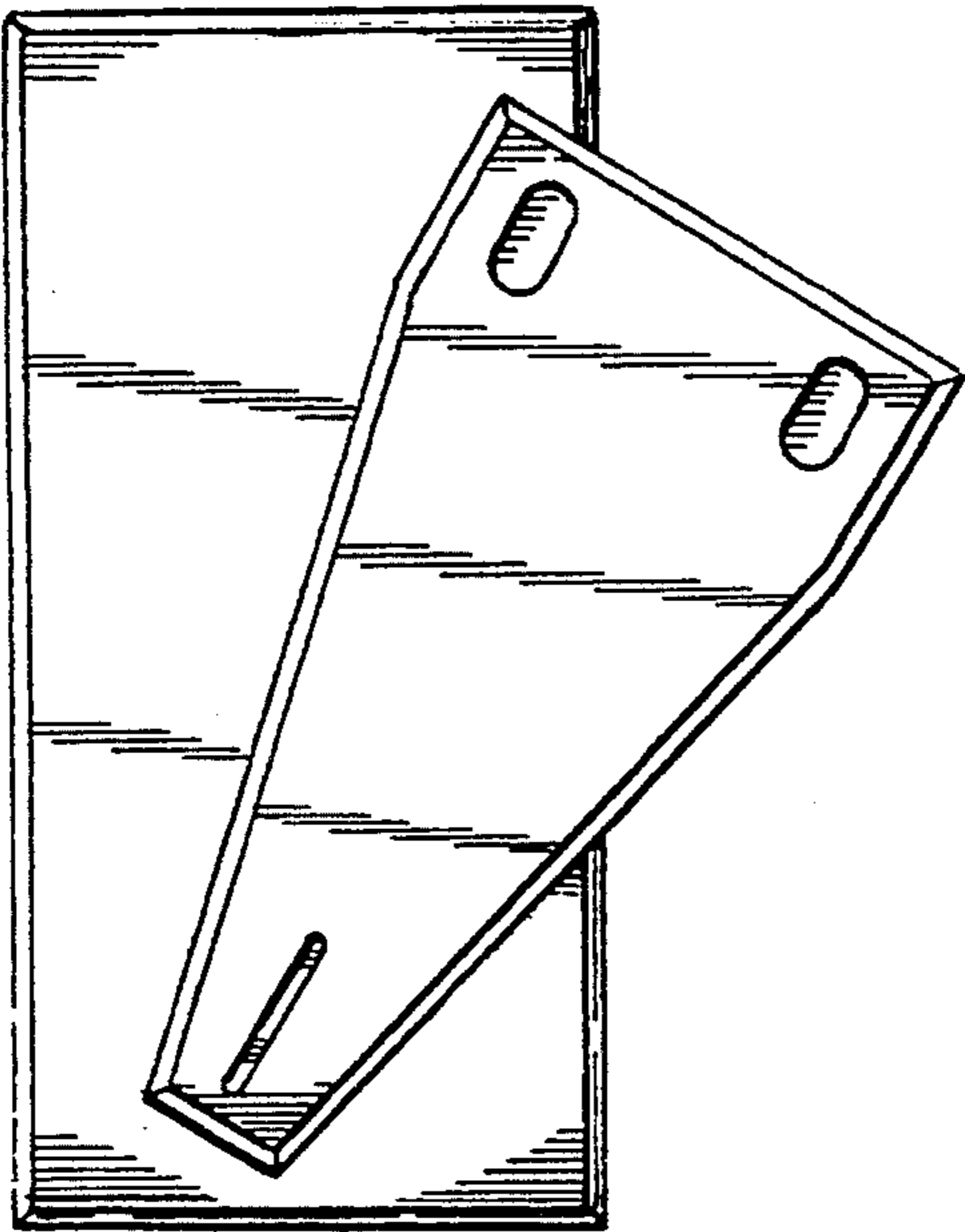


FIG. 1

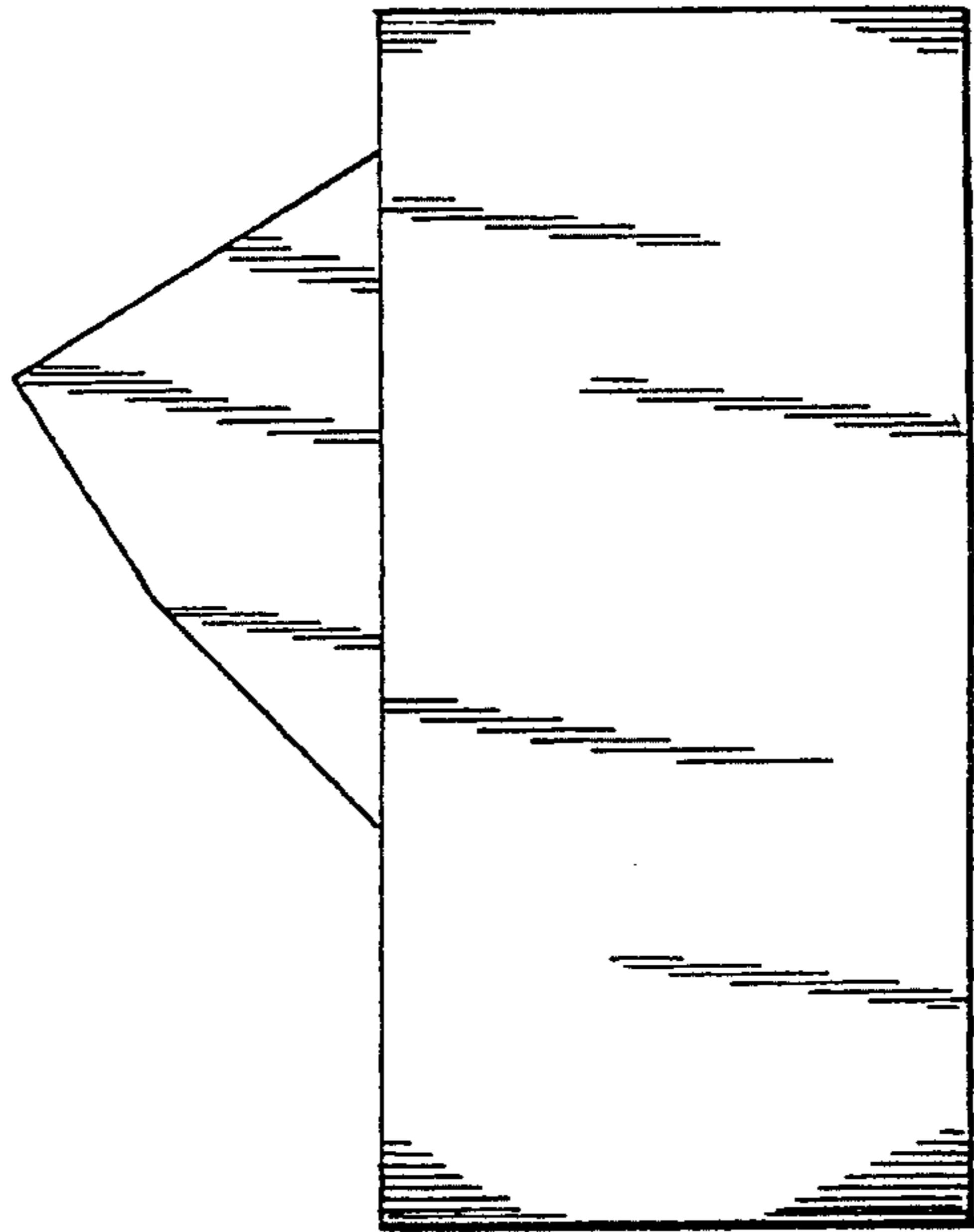


FIG. 2

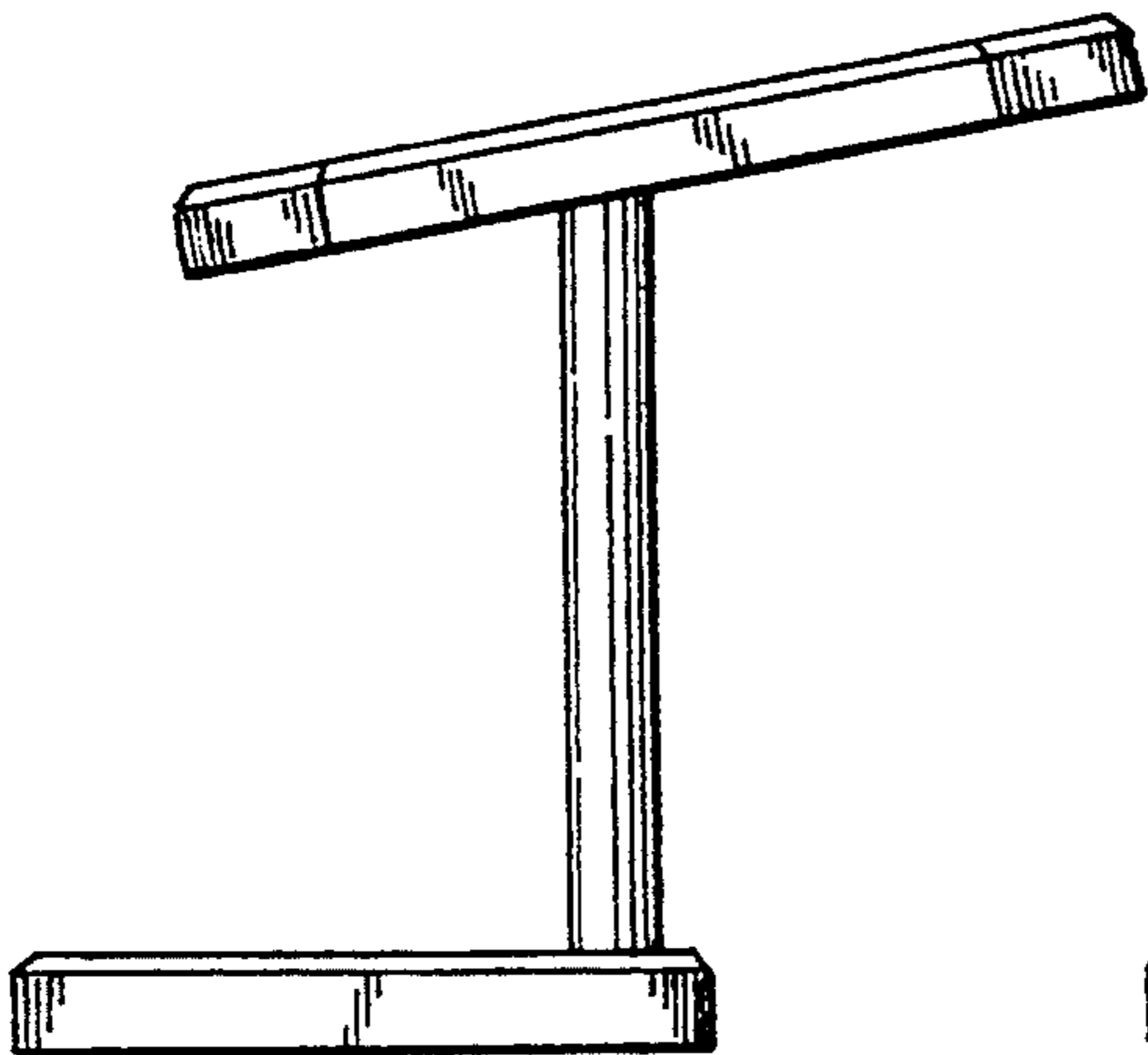


FIG. 3

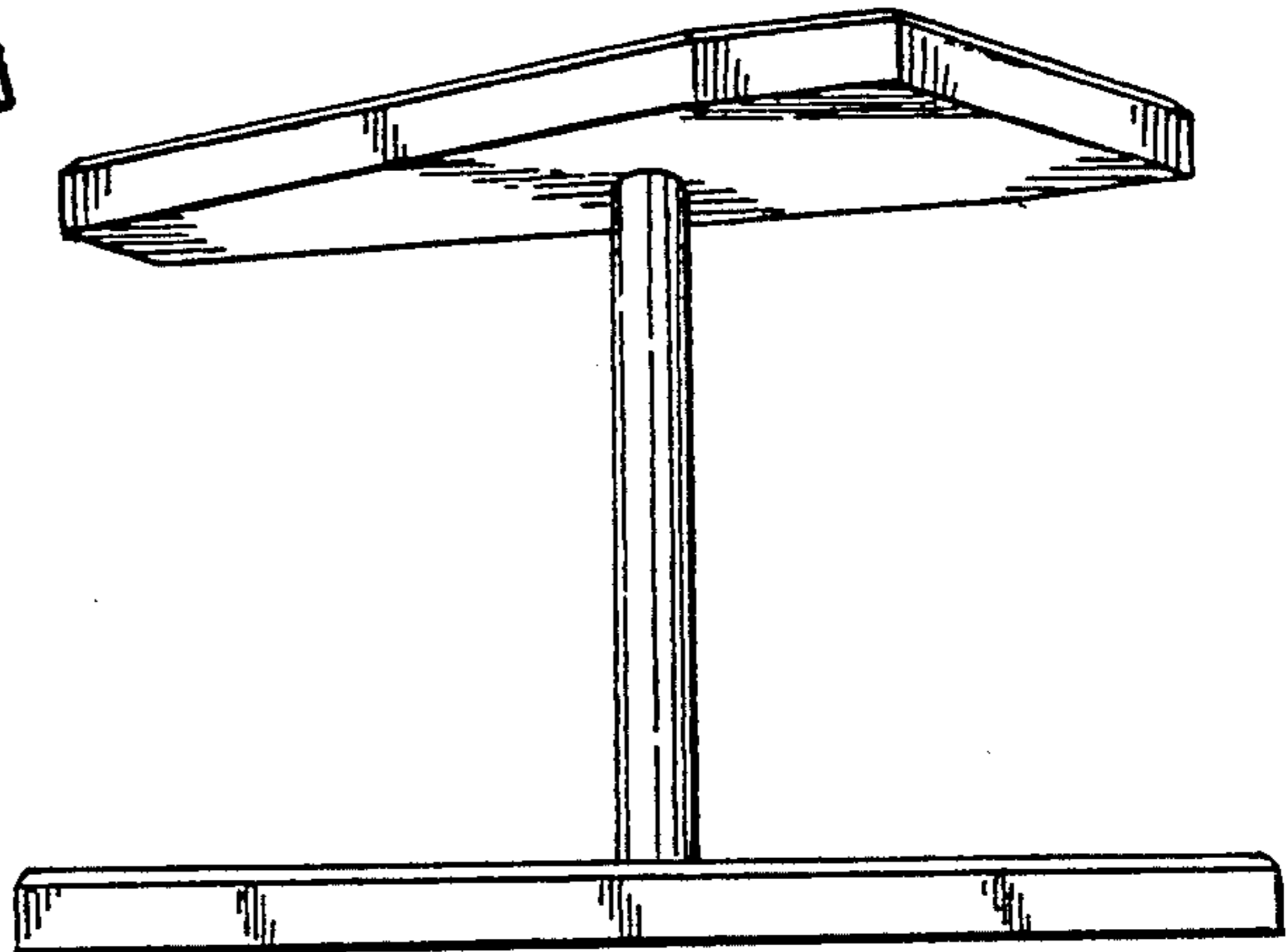


FIG. 4

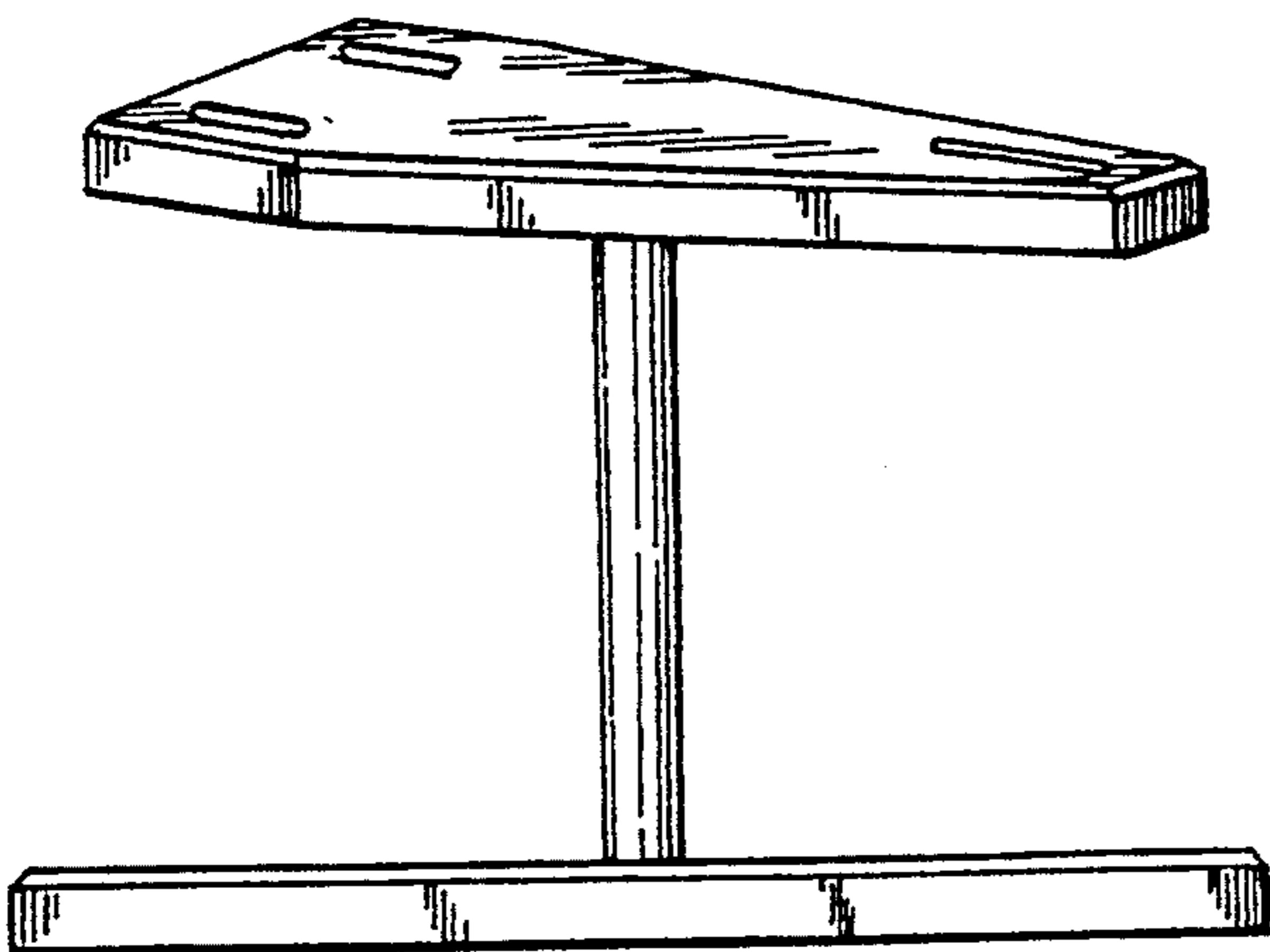


FIG. 5

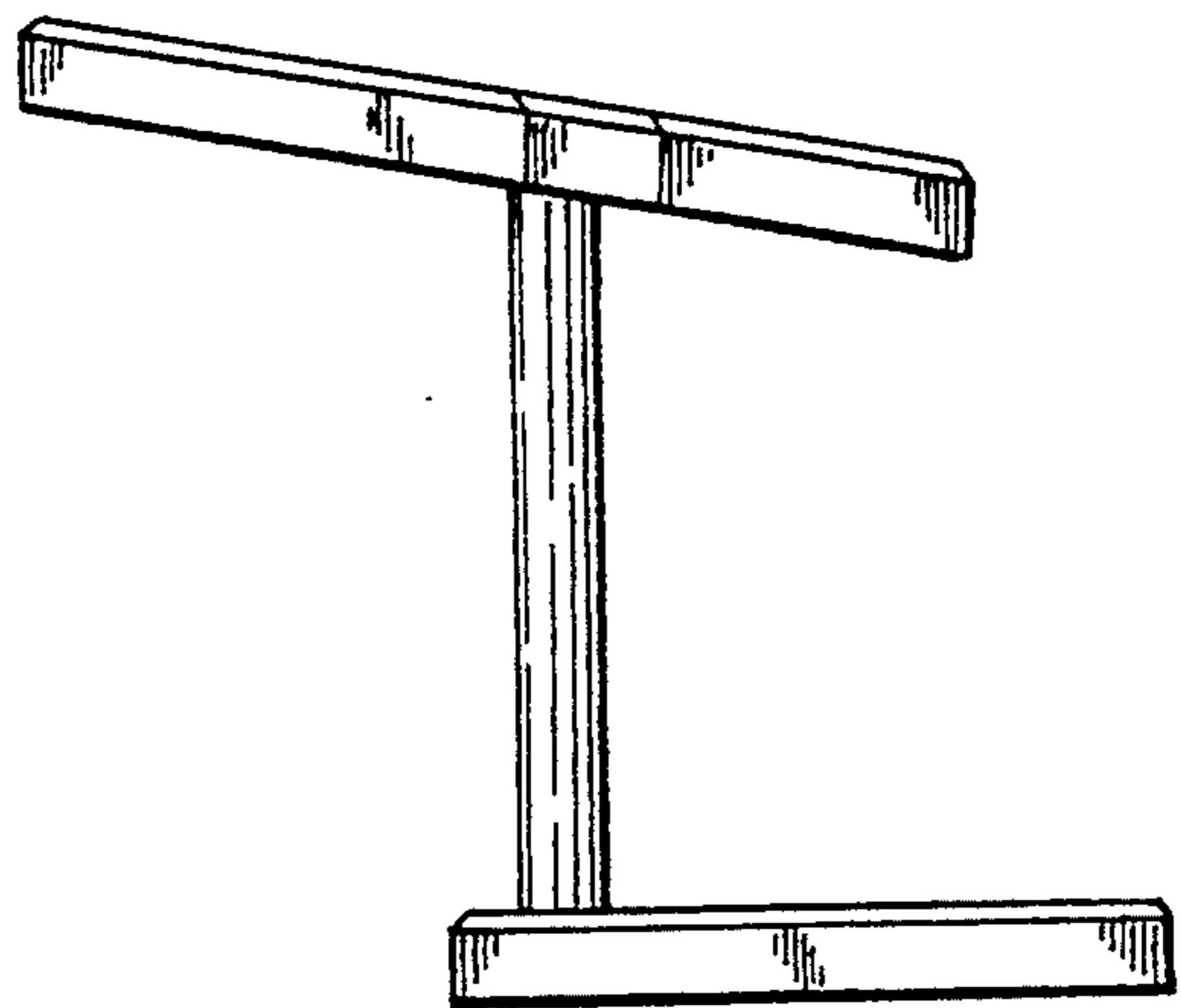


FIG. 6