



US00D353492S

United States Patent [19]

[11] Patent Number: **Des. 353,492**

Goodman et al.

[45] Date of Patent: **** Dec. 20, 1994**

[54] **CLOTHES HOOK**

Attorney, Agent, or Firm—Pearne, Gordon, McCoy & Granger

[76] Inventors: **Sheldon H. Goodman**, 30905 Stratford, Solon, Ohio 44139; **Steven E. Greenhut**, 6368 NW. 23rd Way, Boca Raton, Fla. 33496

[57] **CLAIM**

The ornamental design for a clothes hook, as shown and described.

[**] Term: **14 Years**

DESCRIPTION

[21] Appl. No.: **11,968**

FIG. 1 is a front perspective view of a clothes hook showing our new design;

[22] Filed: **Aug. 18, 1993**

FIG. 2 is a front elevational view thereof;

[52] U.S. Cl. **D6/323; D8/367**

FIG. 3 is a right side elevational view of a first embodiment, the left side elevational view being a mirror image;

[58] Field of Search **D8/367, 372-373; D6/324, 323, 327, 569; 248/301, 304, 339**

FIG. 4 is a rear elevational view thereof;

[56] **References Cited**

U.S. PATENT DOCUMENTS

- D. 19,322 10/1889 Campbell D8/372
- D. 312,385 11/1990 Hamann D8/367
- 1,559,783 11/1925 Rose et al. 248/304 X

FIG. 5 is a top plan view thereof;

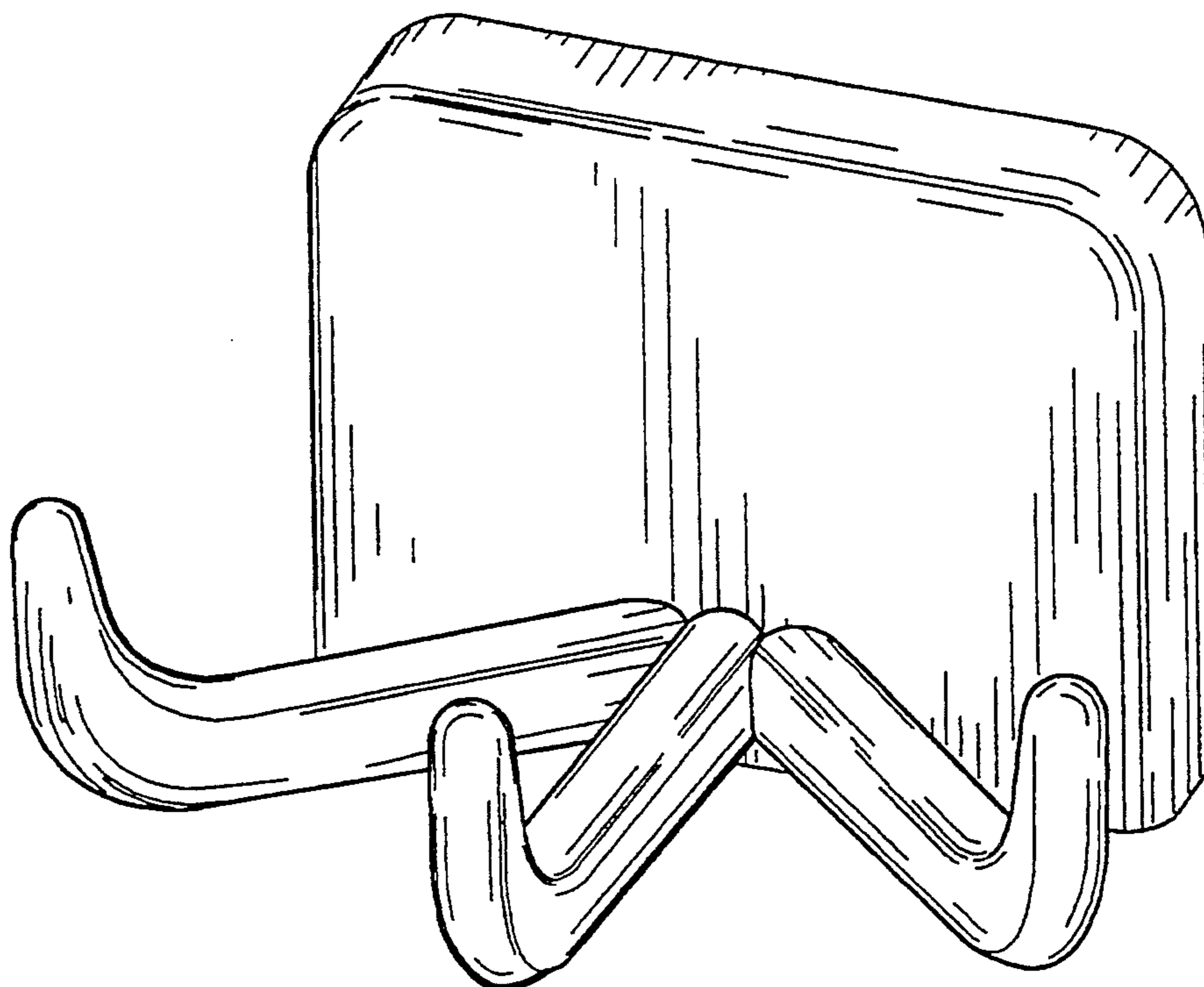
FIG. 6 is a bottom plan view thereof;

FIG. 7 is a rear elevational view of a second embodiment, having an appearance substantially the same as the embodiment of FIGS. 1-6, except for a change in the rear face; and,

FIG. 8 is a bottom plan view of the embodiment of FIG. 7.

Primary Examiner—Wallace R. Burke

Assistant Examiner—H. Baynham



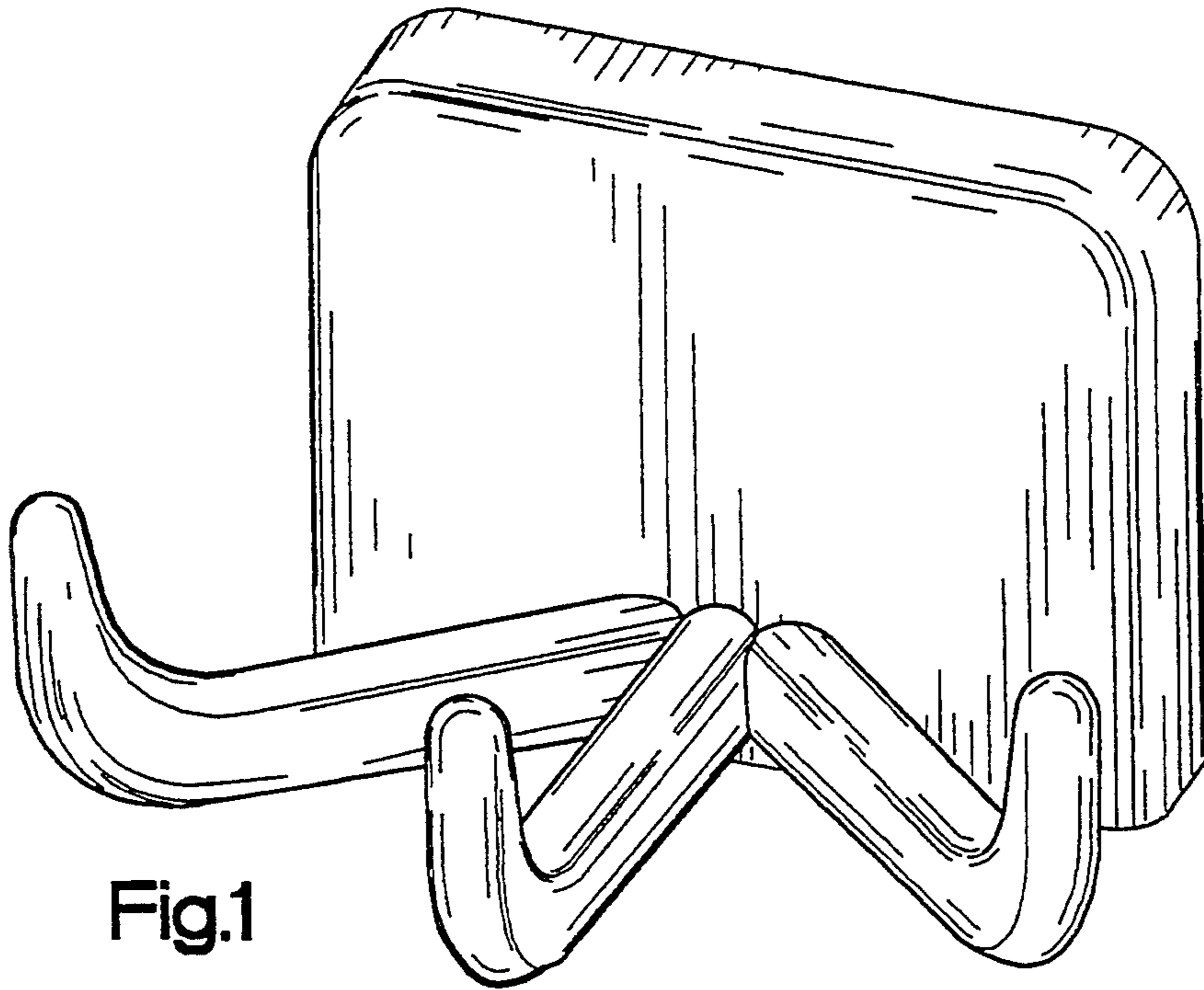


Fig.1

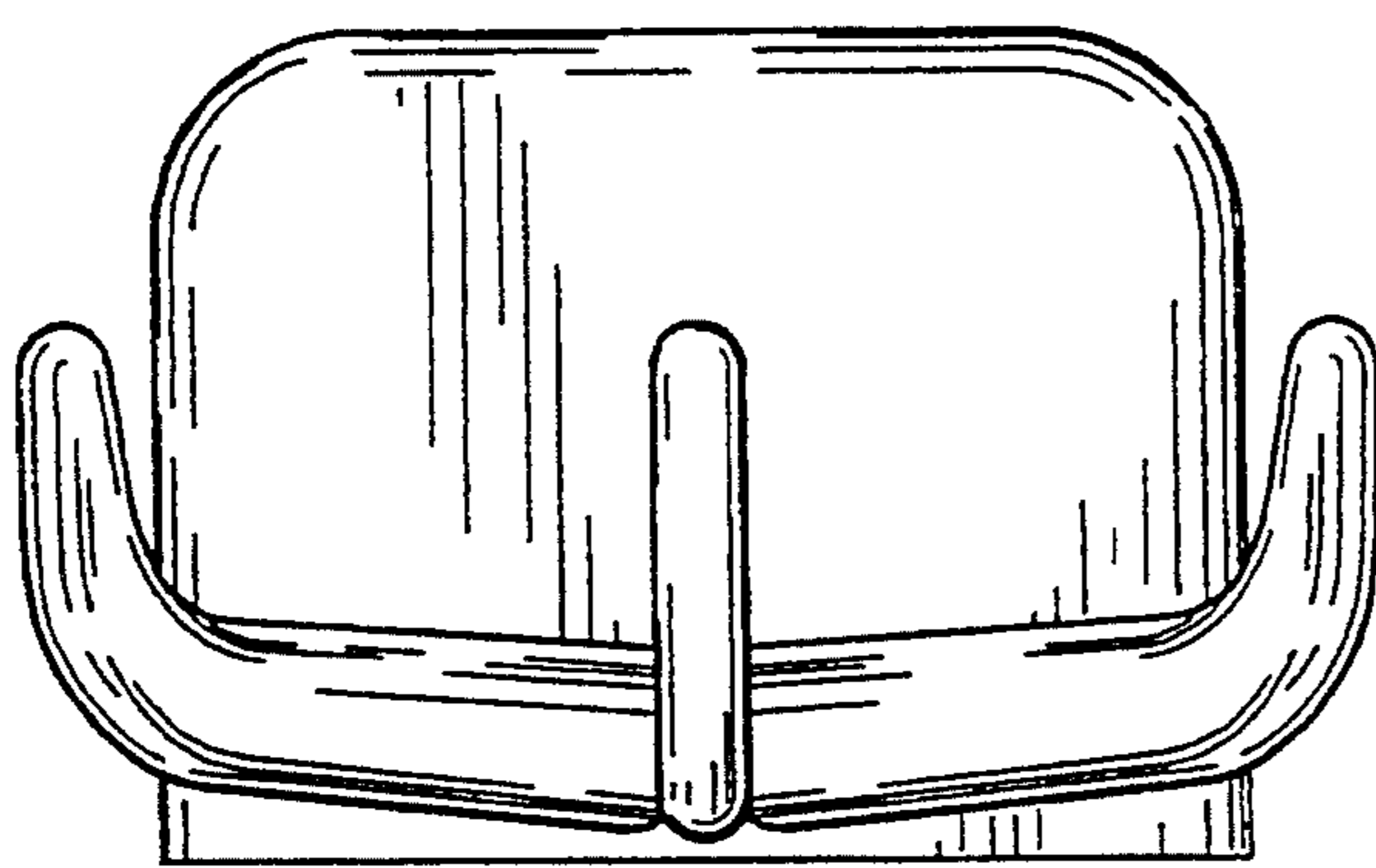


Fig.2

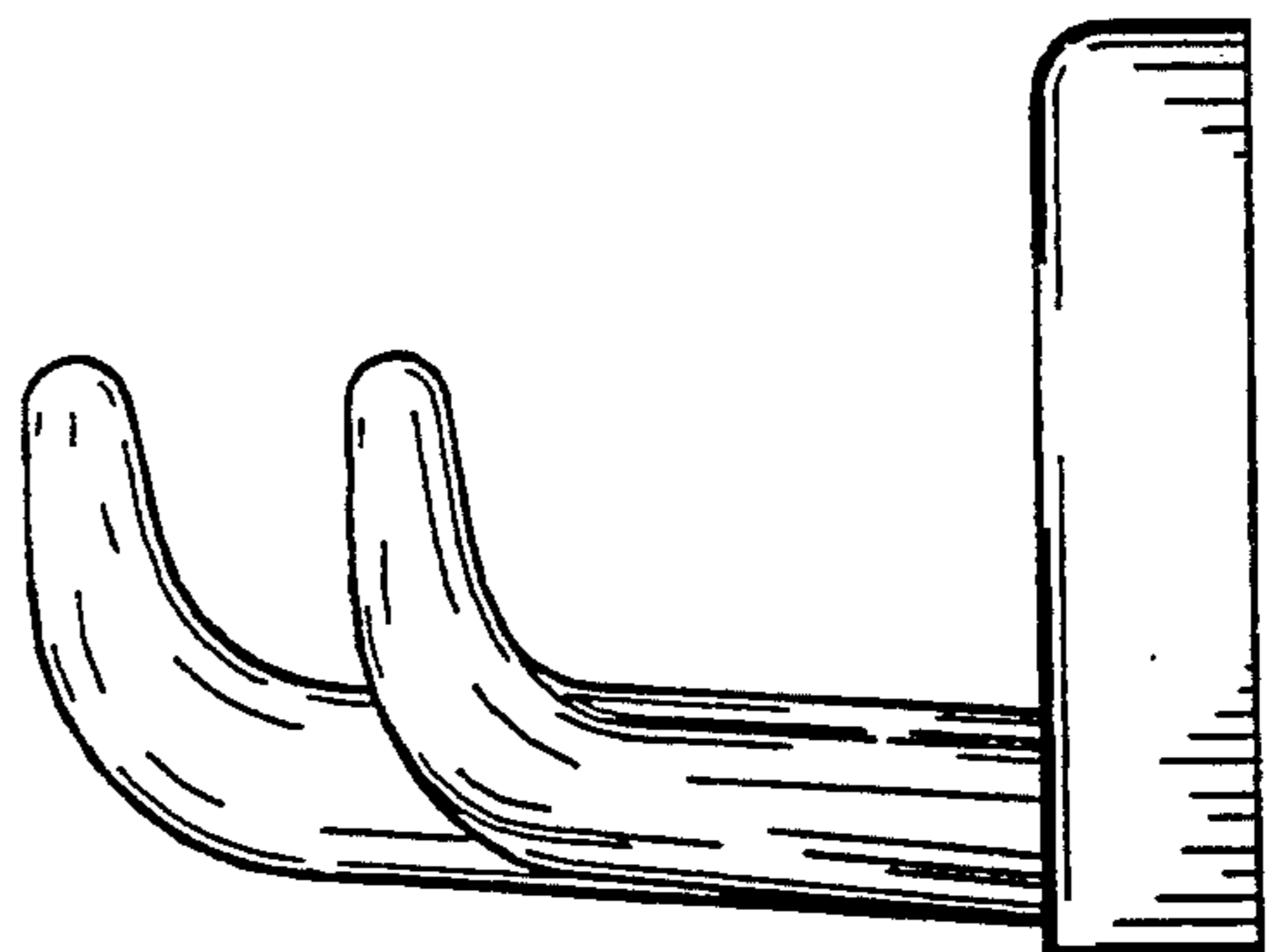


Fig.3

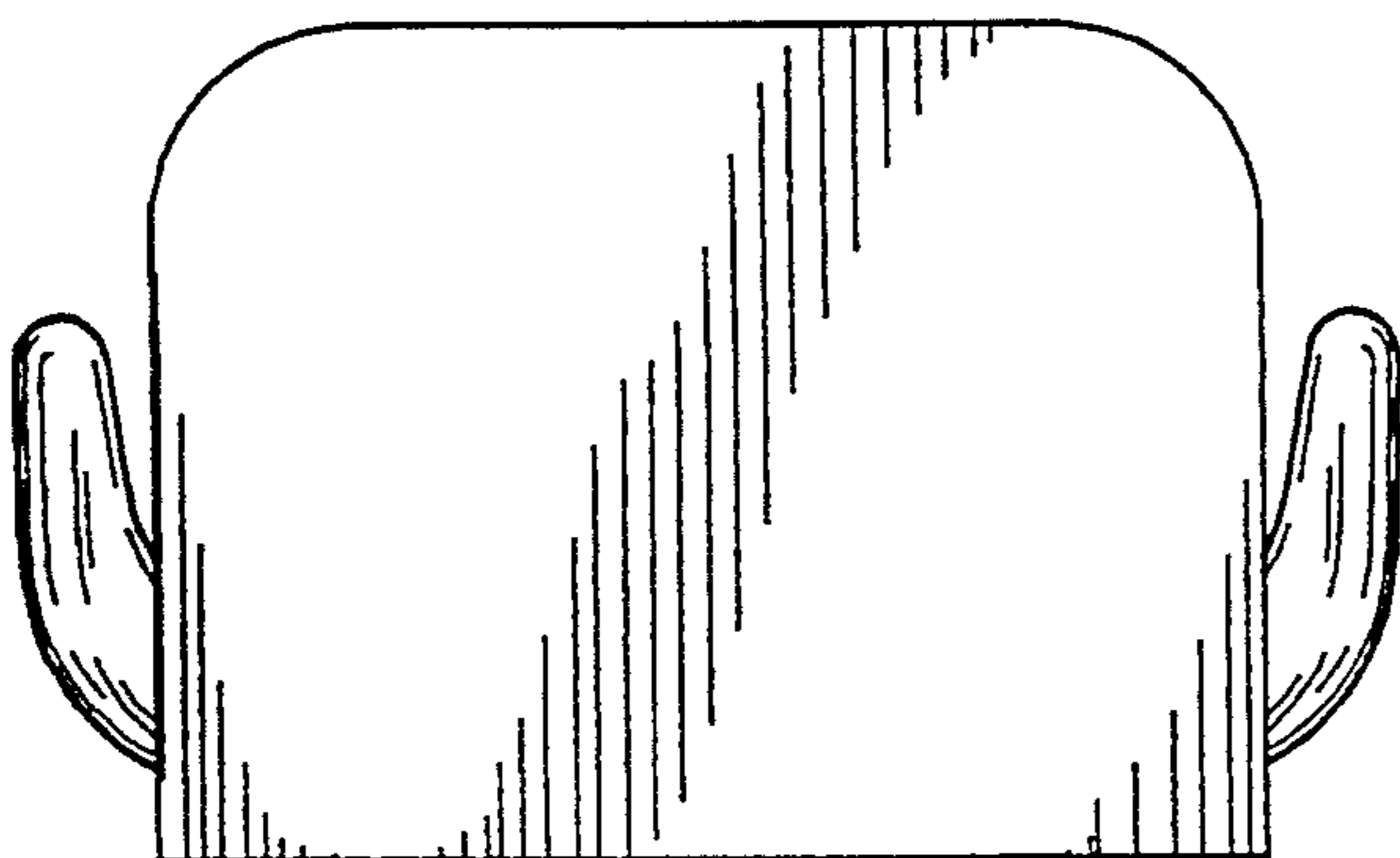


Fig.4

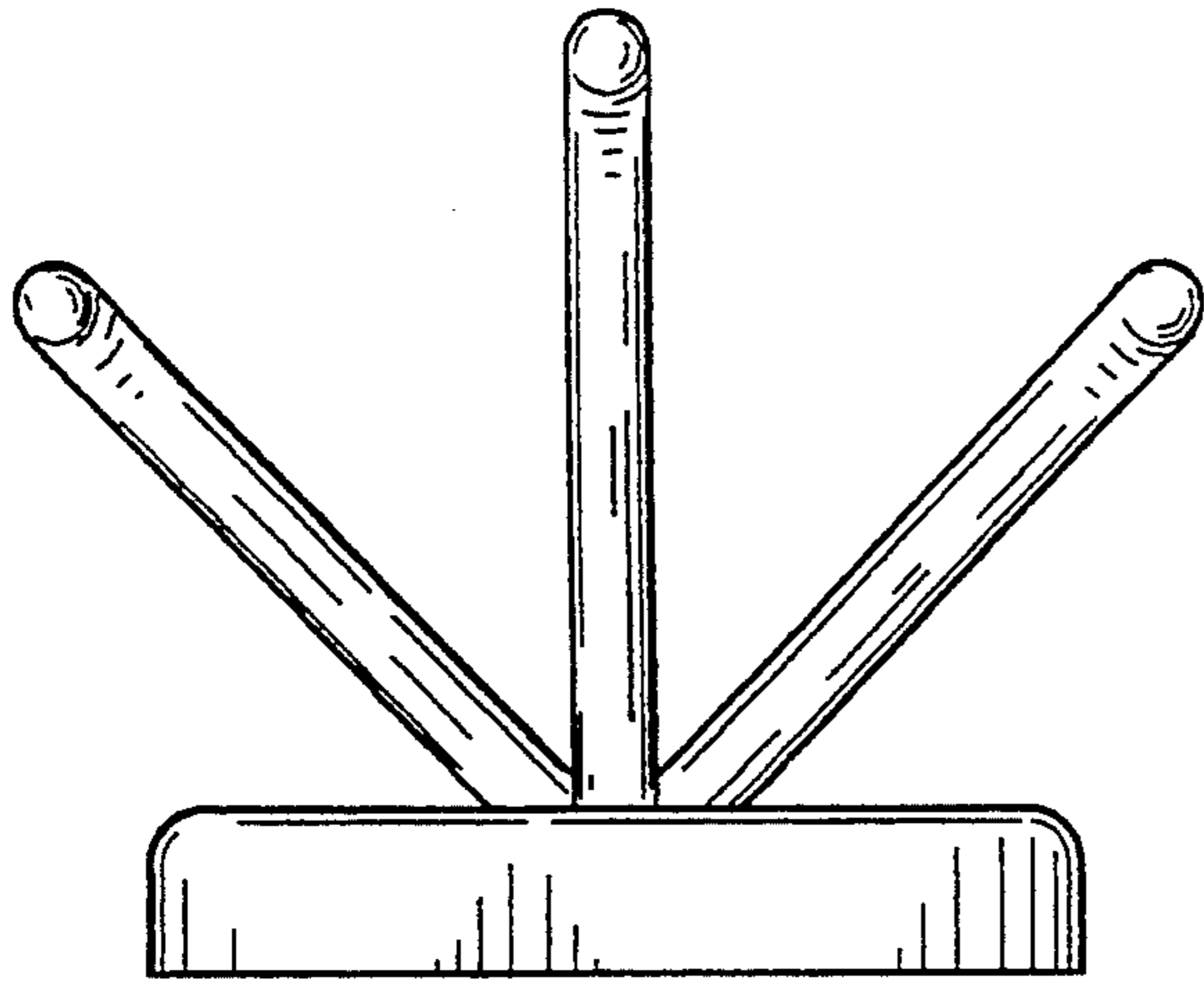


Fig.5

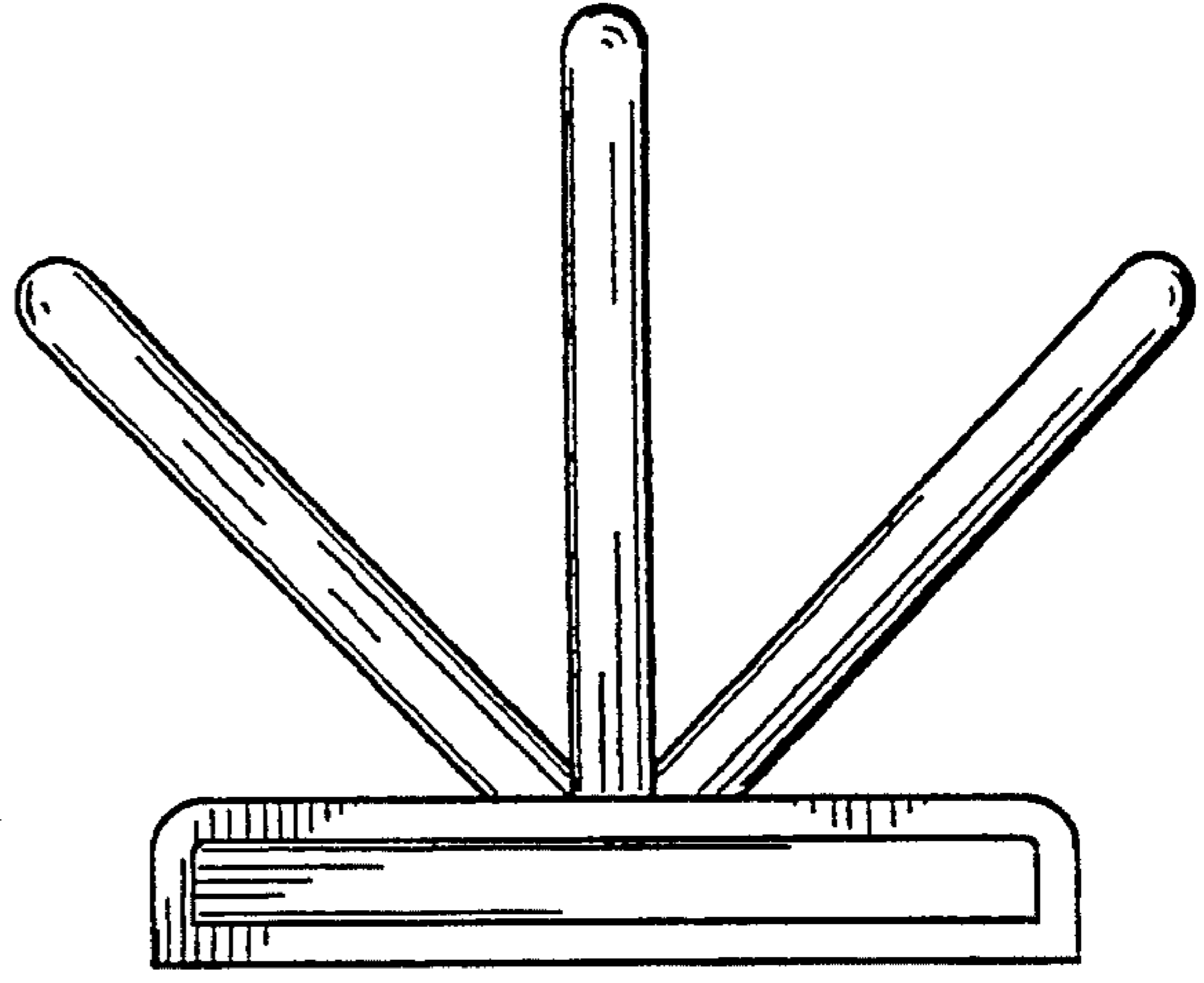


Fig.6

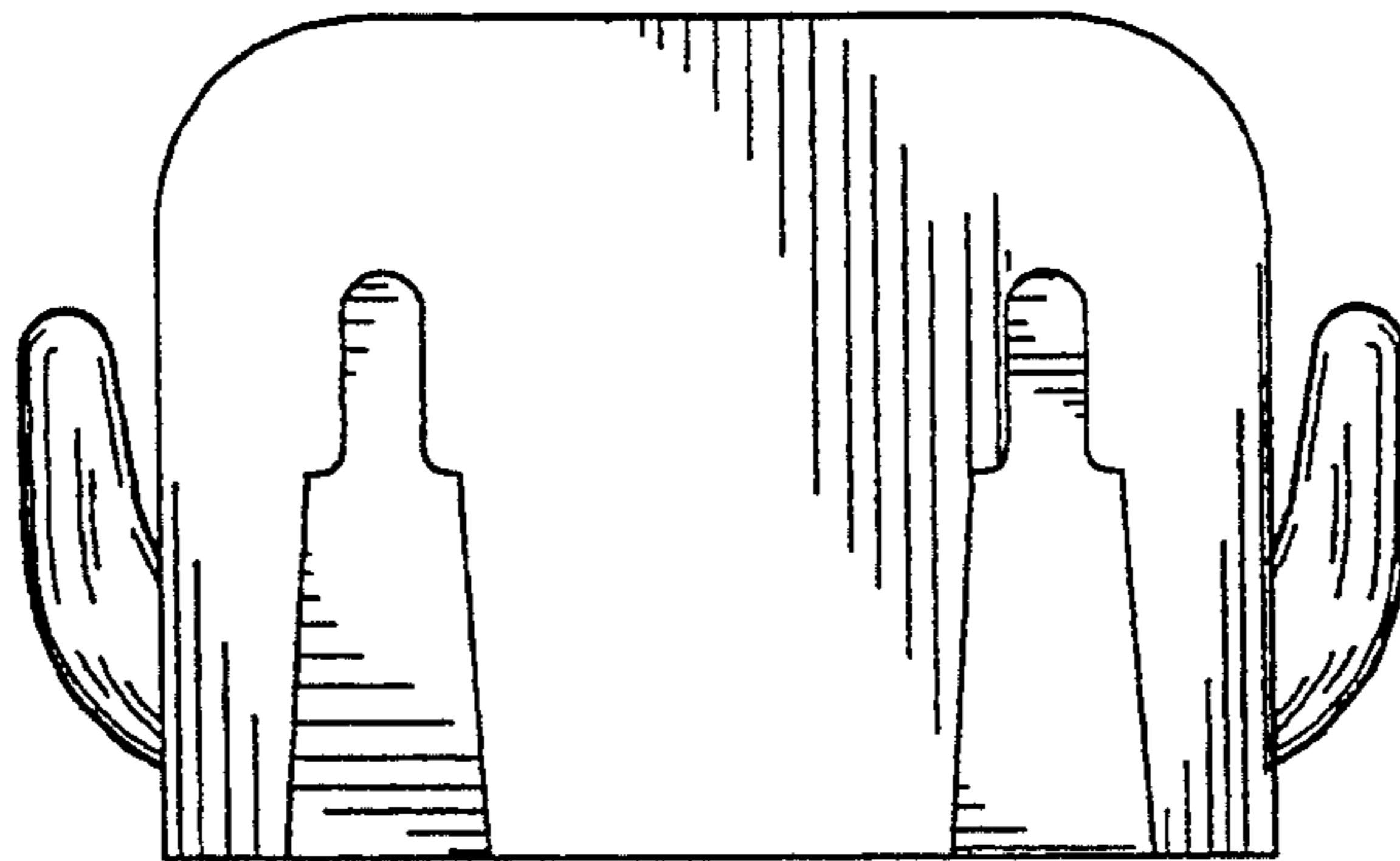


Fig.7

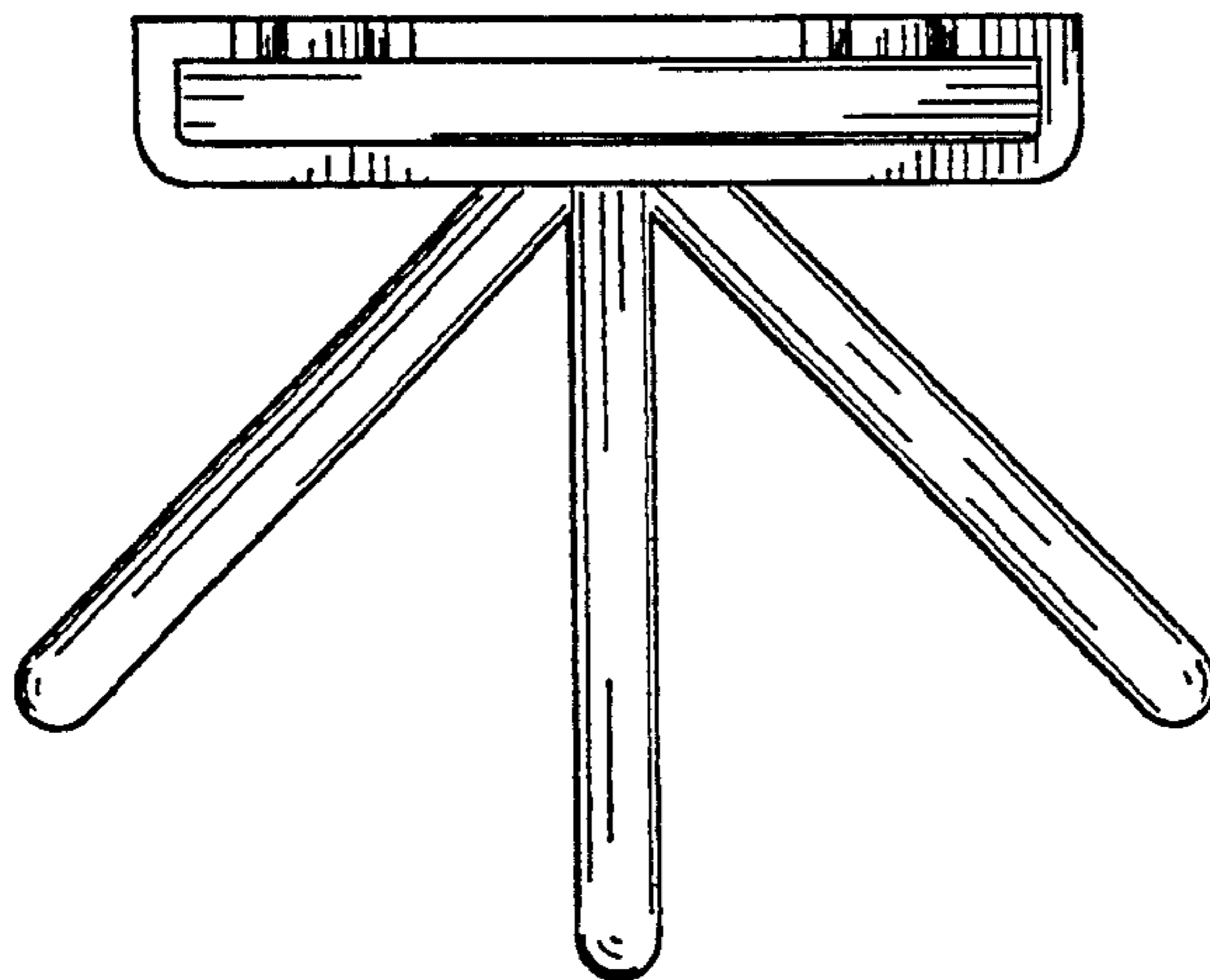


Fig.8